



US00D714703S

(12) **United States Design Patent**
Masaneck, Jr.

(10) **Patent No.:** **US D714,703 S**
(45) **Date of Patent:** **** *Oct. 7, 2014**

- (54) **HITCH STEP**
- (71) Applicant: **MacNeil IP LLC**, Bolingbrook, IL (US)
- (72) Inventor: **Frederick W. Masaneck, Jr.**, Barrington, IL (US)
- (73) Assignee: **MacNeil IP LLC**, Bolingbrook, IL (US)
- (*) Notice: This patent is subject to a terminal disclaimer.
- (**) Term: **14 Years**
- (21) Appl. No.: **29/473,177**
- (22) Filed: **Nov. 19, 2013**

3,580,613 A	5/1971	Northrop	
3,717,362 A *	2/1973	Johnson	280/164.1
3,774,952 A	11/1973	Zorn	
4,017,093 A	4/1977	Stecker, Sr.	
4,106,790 A	8/1978	Weiler	
4,180,143 A	12/1979	Clugston	
4,231,583 A	11/1980	Learn	
4,274,648 A	6/1981	Robins	
4,463,962 A	8/1984	Snyder	
D296,431 S	6/1988	Yont	
4,753,447 A	6/1988	Hall	
4,943,076 A	7/1990	Tripke	
4,947,961 A	8/1990	Dudley	
5,265,896 A	11/1993	Kravitz	
5,358,269 A *	10/1994	Jakeman et al.	280/490.1
D370,452 S	6/1996	Beasley	
5,647,621 A	7/1997	McClellan	
5,738,362 A *	4/1998	Ludwick	280/166

(Continued)

Related U.S. Application Data

- (63) Continuation of application No. 14/070,275, filed on Nov. 1, 2013, now Pat. No. 8,727,364, which is a continuation-in-part of application No. 13/953,121, filed on Jul. 29, 2013.
- (51) **LOC (10) Cl.** **12-16**
- (52) **U.S. Cl.**
USPC **D12/203**
- (58) **Field of Classification Search**
USPC D12/89, 203, 314; 182/64.1, 127;
280/5.3, 163, 164.2, 166, 169, 291;
D25/62, 63, 68, 69
See application file for complete search history.

References Cited

U.S. PATENT DOCUMENTS

382,331 A	5/1888	Stanwood
566,919 A	9/1896	Lewis
810,199 A	1/1906	Erret
2,649,308 A	8/1953	Bice, Jr.
2,991,118 A	7/1961	Sieger
3,357,719 A	12/1967	McCrea

Primary Examiner — Deanna L Pratt

Assistant Examiner — Natasha Vujcic

(74) *Attorney, Agent, or Firm* — Perkins IP Law Group LLC; Jefferson Perkins

(57) **CLAIM**

The ornamental design for a hitch step, as shown and described.

DESCRIPTION

FIG. 1 is an isometric view of my design, a trailer hitch receiver tongue being shown in broken line as environmental structure;

FIG. 2 is a plan view of my design;

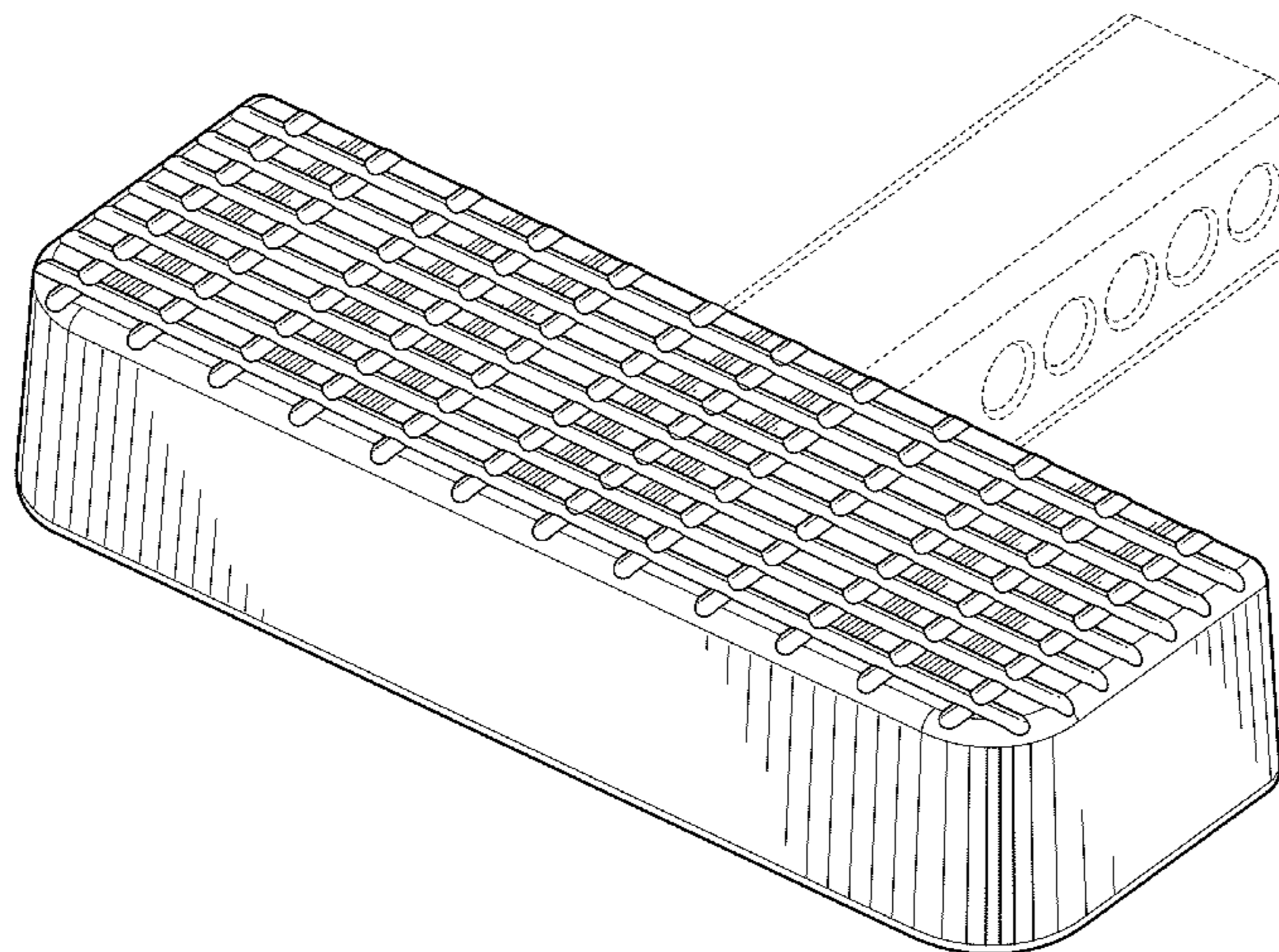
FIG. 3 is a rear view of my design;

FIG. 4 is a side view of my design; and,

FIG. 5 is a front view of my design.

The broken lines in the drawings illustrate the portions of the hitch step that form no part of the claimed design. The bottom of the hitch step is unadorned and forms no part of the claimed design.

1 Claim, 2 Drawing Sheets



(56)

References Cited

U.S. PATENT DOCUMENTS

5,829,774 A 11/1998 Klemp
 6,145,861 A 11/2000 Willis
 6,173,979 B1 1/2001 Bernard
 D440,931 S 4/2001 Knight, III et al.
 6,439,589 B1 8/2002 Payne
 6,491,315 B2* 12/2002 Hagen et al. 280/163
 6,682,086 B1* 1/2004 Erickson 280/163
 D491,509 S* 6/2004 Bundy D12/203
 6,769,704 B2 8/2004 Cipolla
 6,896,303 B1 5/2005 Mohr
 D511,319 S* 11/2005 Wang D12/203
 D513,217 S 12/2005 Daws et al.
 D527,323 S 8/2006 Storer

D549,623 S* 8/2007 Gaddy D12/162
 7,377,564 B1* 5/2008 Baffy et al. 293/117
 7,390,003 B1 6/2008 Sylvia
 D582,826 S 12/2008 Burchett et al.
 D595,630 S* 7/2009 McPherson et al. D12/203
 7,661,693 B1 2/2010 Lipski
 D634,687 S 3/2011 Vukel
 7,954,836 B2 6/2011 Mann
 7,967,311 B2 6/2011 Phillips
 D695,665 S* 12/2013 Masanek, Jr. D12/203
 8,727,364 B2* 5/2014 Masanek et al. 280/163
 2003/0011164 A1* 1/2003 Cipolla 280/164.1
 2008/0018074 A1 1/2008 Steffens et al.
 2011/0285104 A1 11/2011 Wotherspoon
 2013/0270791 A1* 10/2013 Anderson 280/163

* cited by examiner

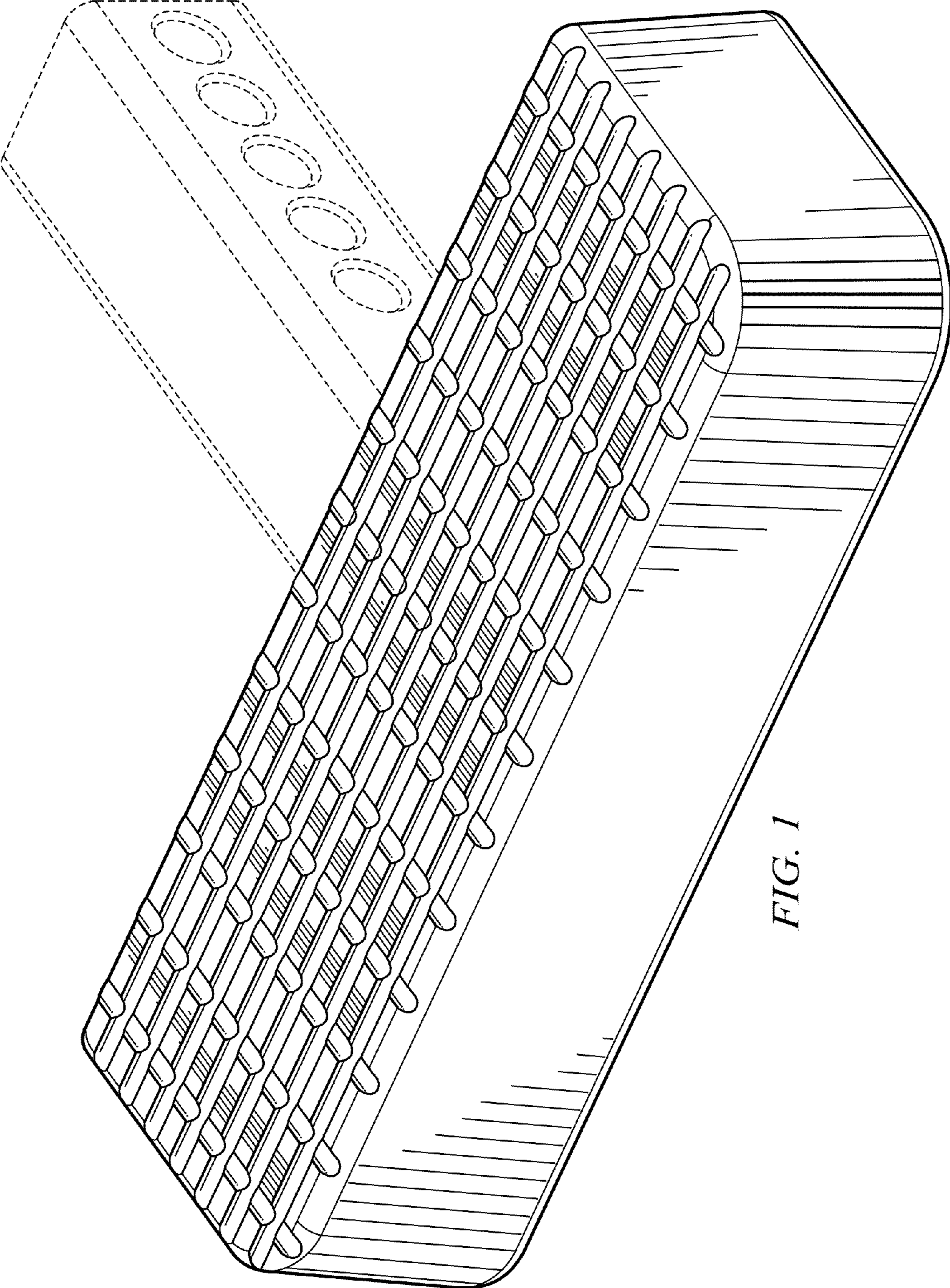


FIG. 1

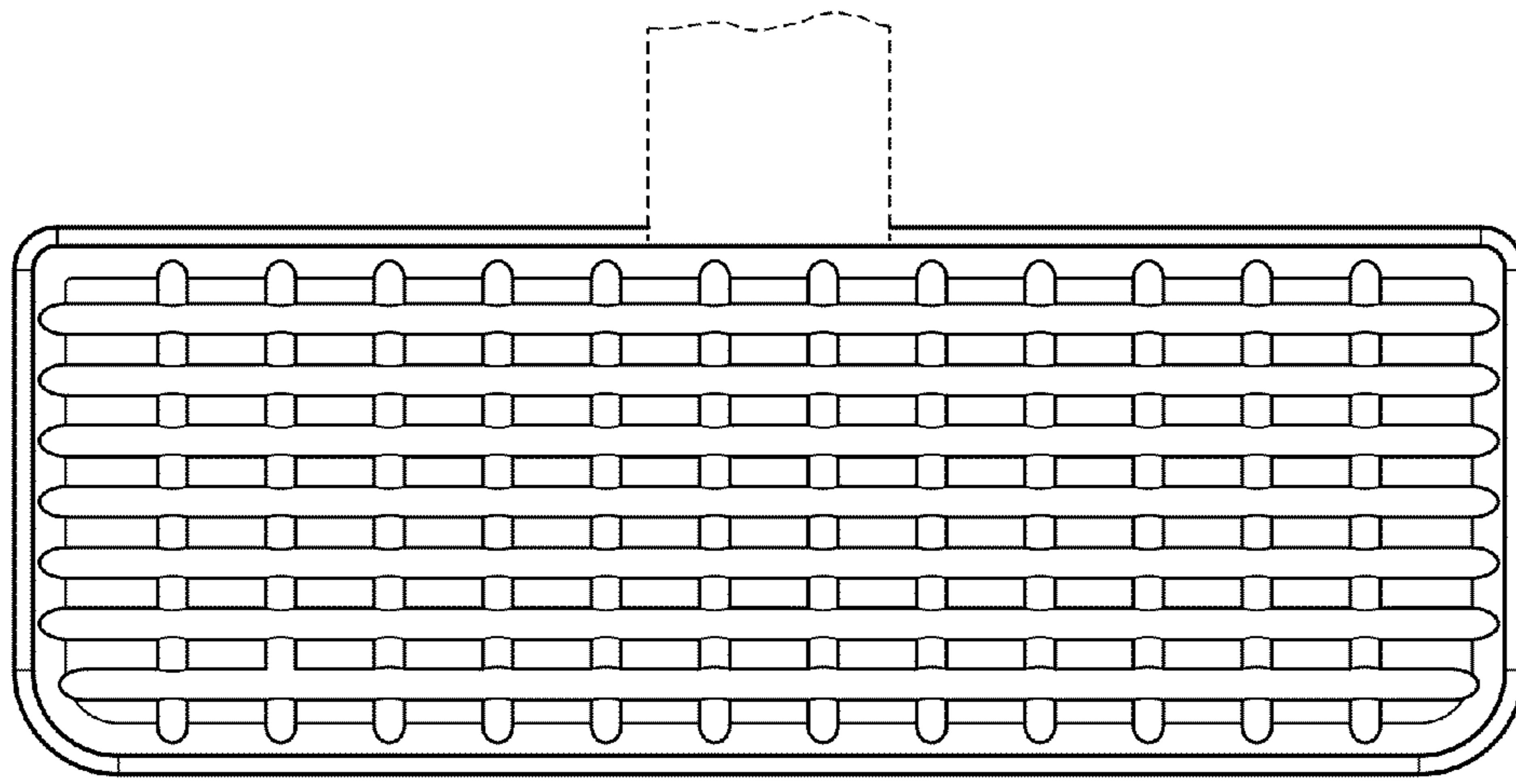


FIG. 2

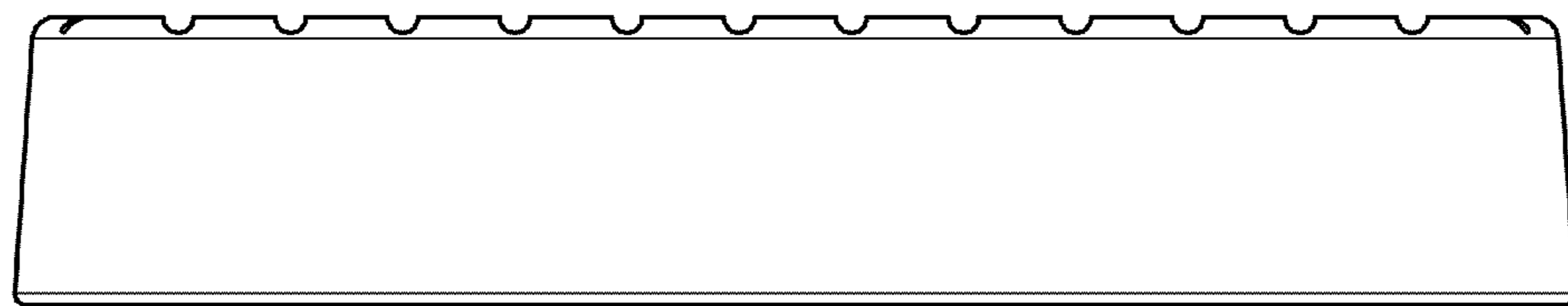


FIG. 3

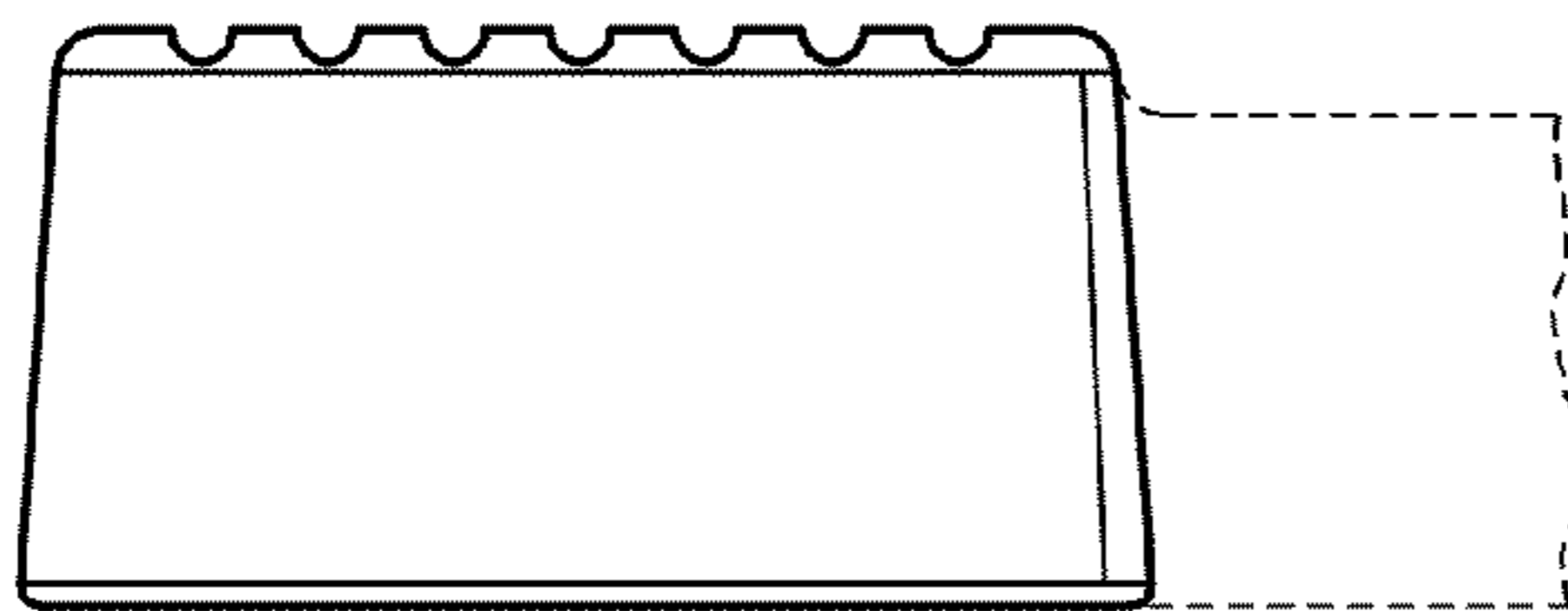


FIG. 4

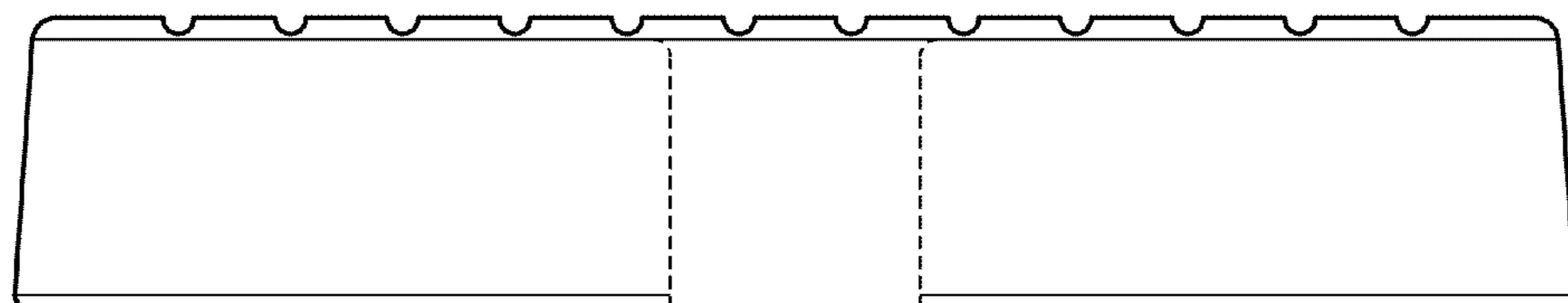


FIG. 5