



US00D714698S

(12) **United States Design Patent**
Hsu et al.

(10) **Patent No.:** **US D714,698 S**
(45) **Date of Patent:** **** Oct. 7, 2014**

(54) **EXHAUST MANIFOLD**

(71) Applicants: **David Hsu**, Norco, CA (US); **Charles Madrid**, Alhambra, CA (US); **Jeffrey G. Giovino**, Oak Hills, CA (US)

(72) Inventors: **David Hsu**, Norco, CA (US); **Charles Madrid**, Alhambra, CA (US); **Jeffrey G. Giovino**, Oak Hills, CA (US)

(73) Assignee: **Group-A Autosports, Inc.**, Norco, CA (US)

(**) Term: **14 Years**

(21) Appl. No.: **29/457,166**

(22) Filed: **Jun. 7, 2013**

(51) **LOC (10) Cl.** **12-16**

(52) **U.S. Cl.**
USPC **D12/194**

(58) **Field of Classification Search**
USPC D12/194; 285/179, 405-406;
D23/262-263
See application file for complete search history.

(56) **References Cited**

U.S. PATENT DOCUMENTS

3,491,534 A * 1/1970 Garner 60/313
3,791,617 A * 2/1974 Press 251/8
D399,467 S * 10/1998 Erion et al. D12/194

D406,593 S * 3/1999 Bittle D15/5
D454,320 S * 3/2002 Martin D12/194
6,647,714 B1 * 11/2003 Gerber 60/313
6,796,296 B2 * 9/2004 Kim 123/590
6,990,806 B1 * 1/2006 Kinsel 60/321
D533,568 S * 12/2006 Thomas D15/5
D561,078 S * 2/2008 Bigg D12/194
D561,079 S * 2/2008 Bigg D12/194
D624,474 S 9/2010 Hsu
D636,316 S 4/2011 Hsu
D647,022 S 10/2011 Hsu

* cited by examiner

Primary Examiner — Michael A Pratt

(74) *Attorney, Agent, or Firm* — Steven N. Fox, Esq.

(57) **CLAIM**

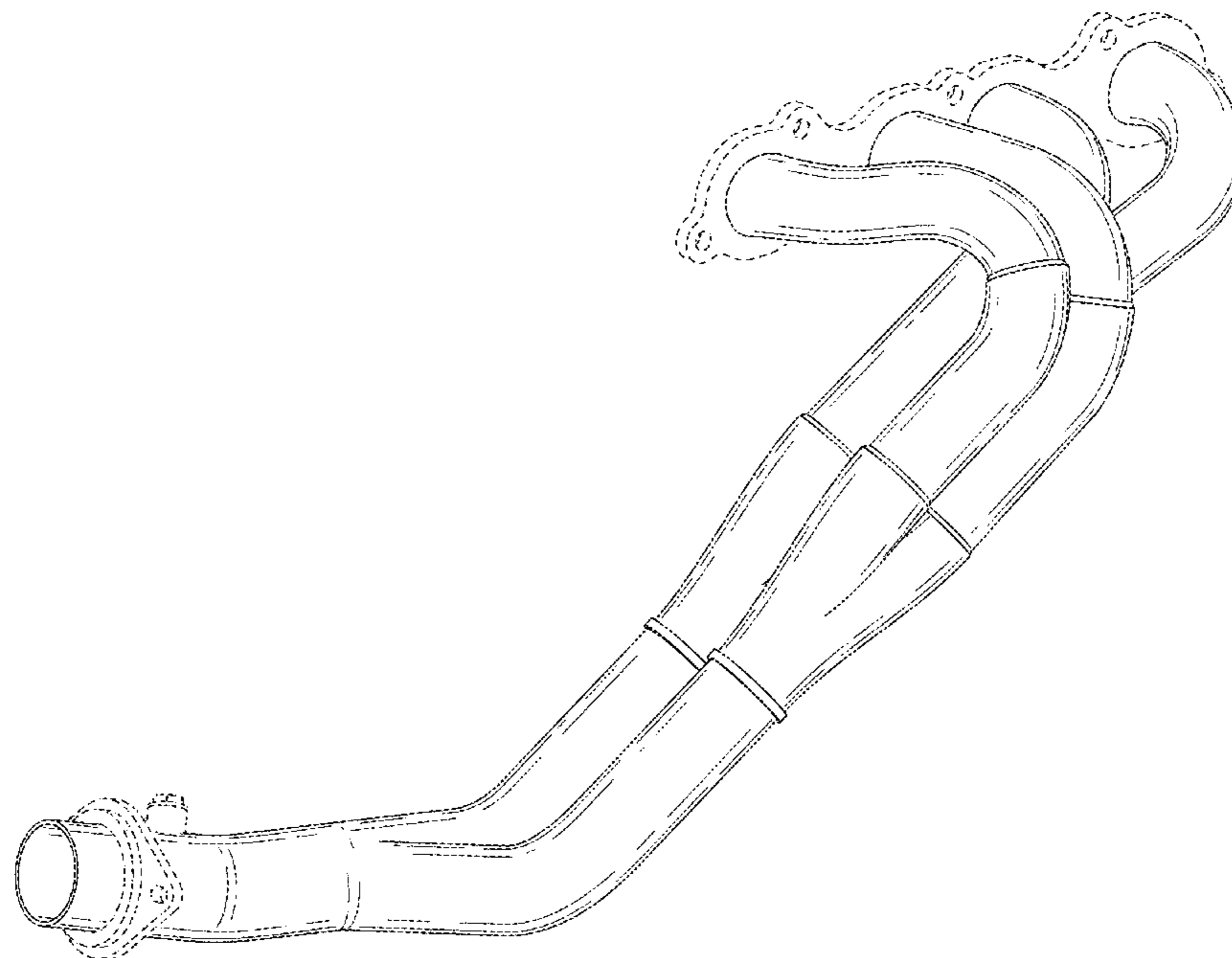
The ornamental design for an exhaust manifold, as shown and described.

DESCRIPTION

FIG. 1 is a top perspective view of an exhaust manifold according to the present invention; FIG. 2 is a front view thereof; FIG. 3 is a rear view thereof; FIG. 4 is a left side view thereof; FIG. 5 is a right side view thereof; FIG. 6 is a top view thereof; and, FIG. 7 is a bottom view thereof.

The broken lines in the drawings illustrate environmental structure and form no part of the claimed design.

1 Claim, 5 Drawing Sheets



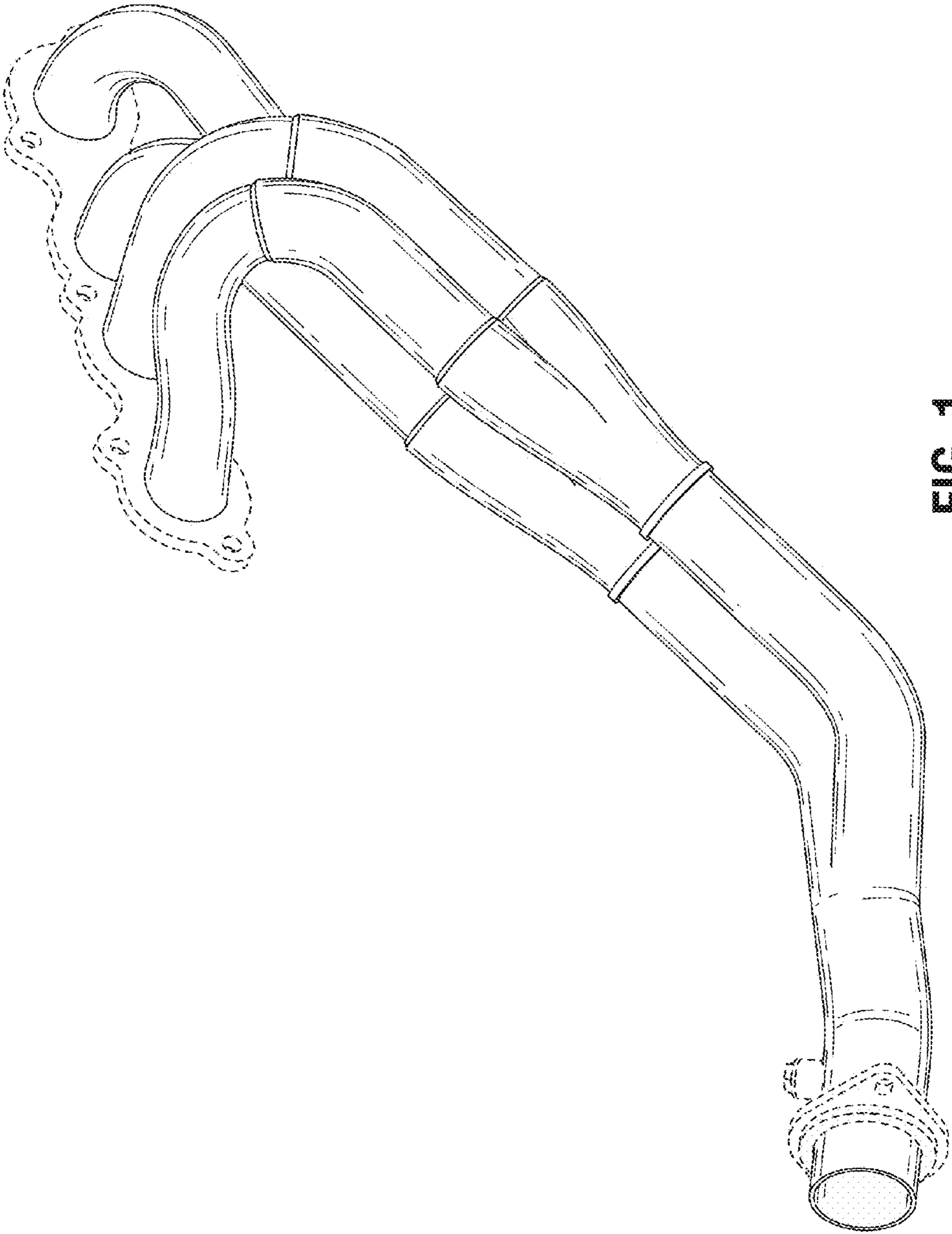


FIG. 1

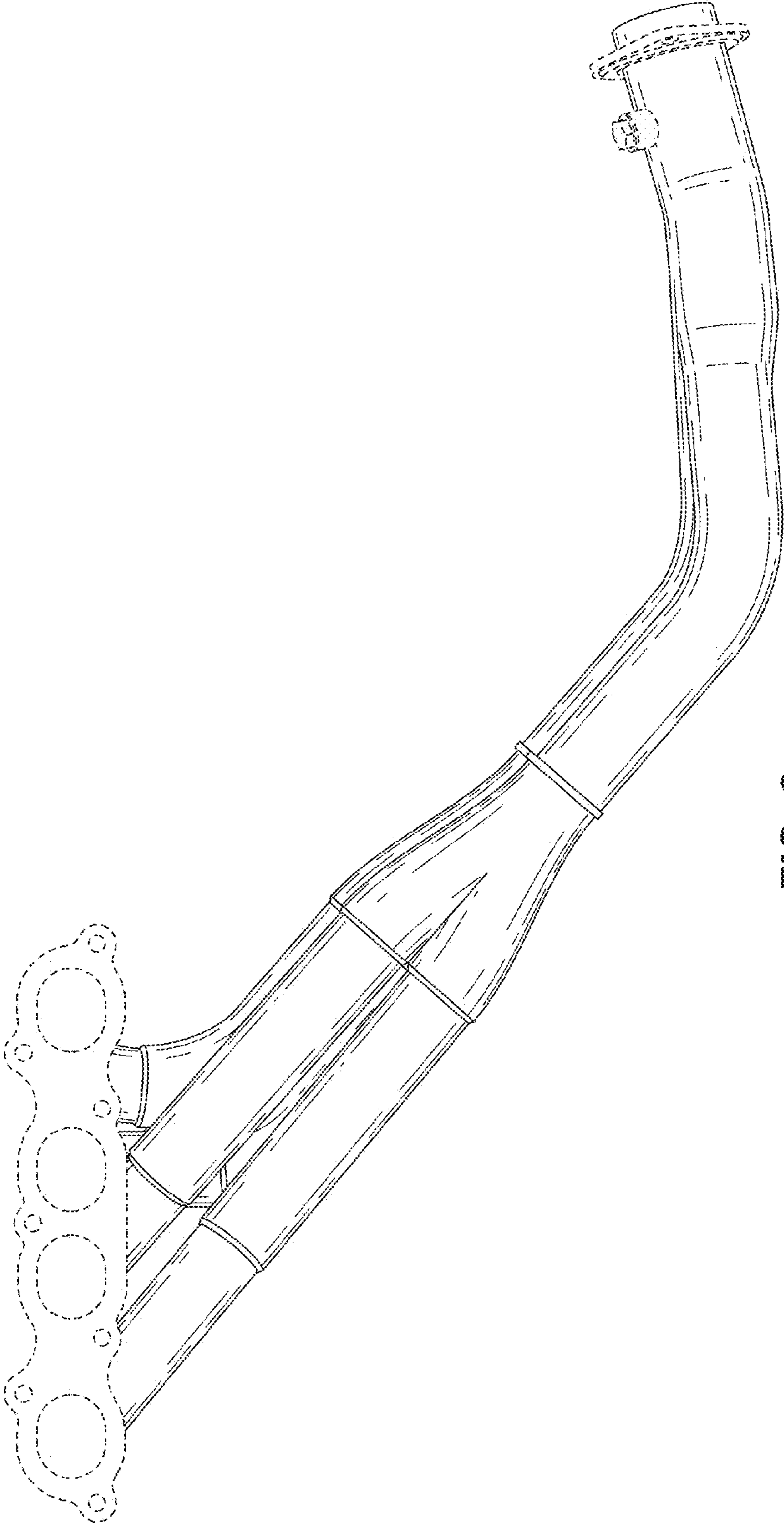


FIG. 2

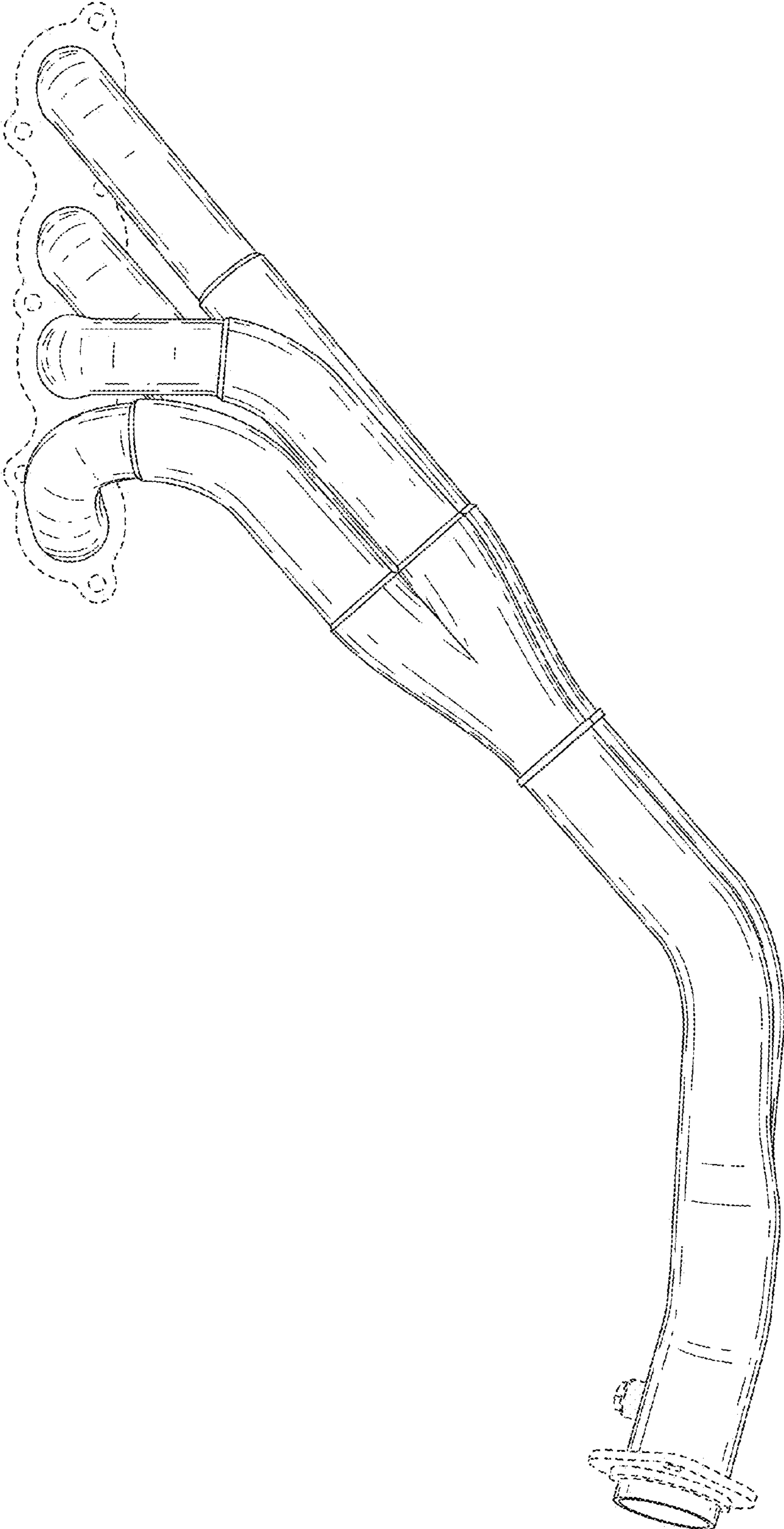


FIG. 3

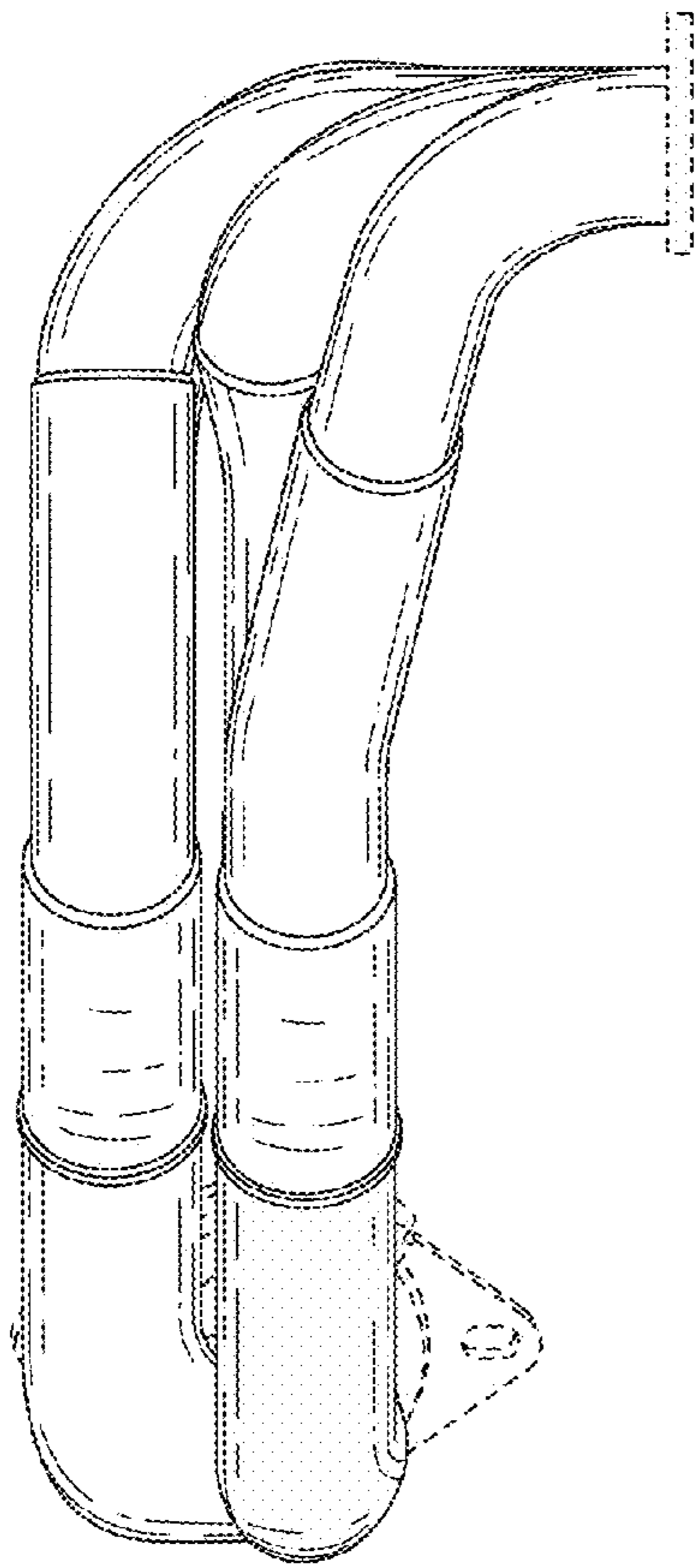


FIG. 4

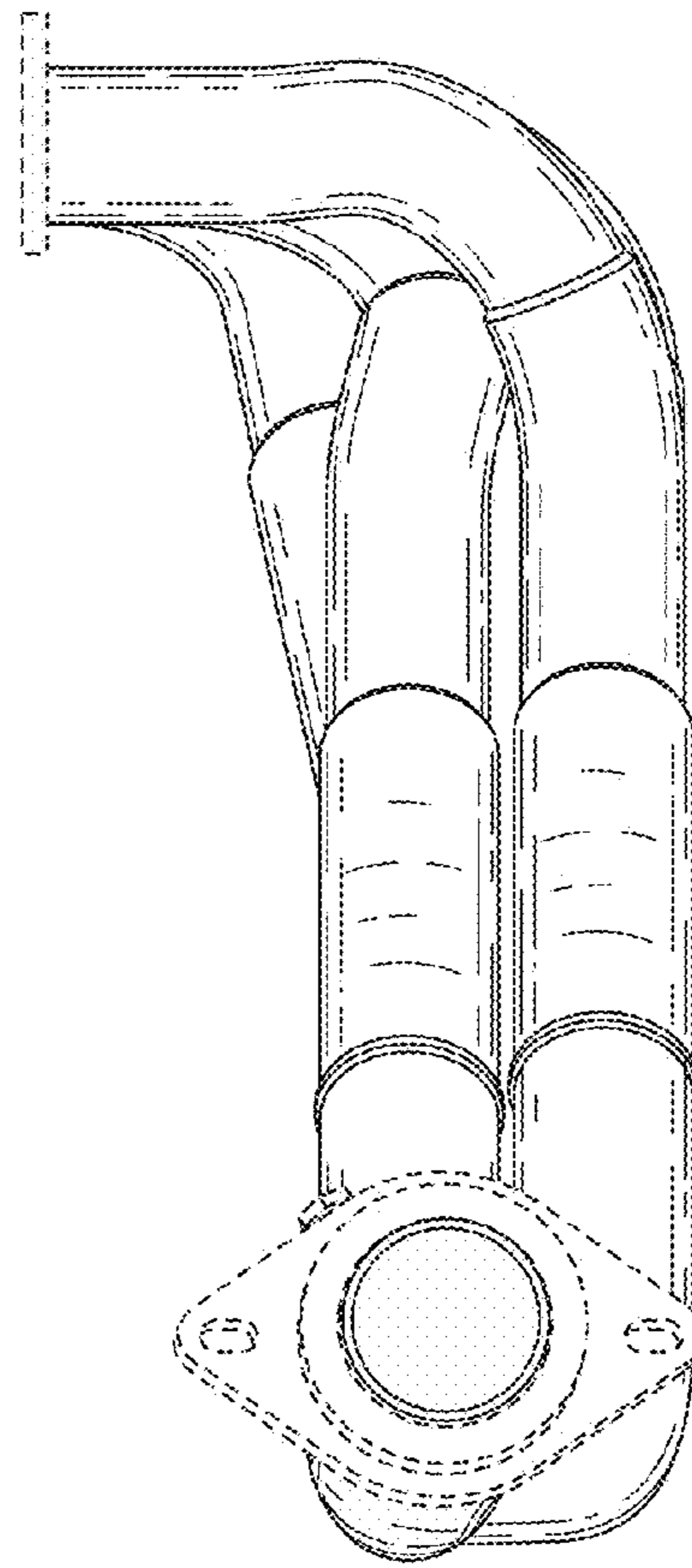


FIG. 5

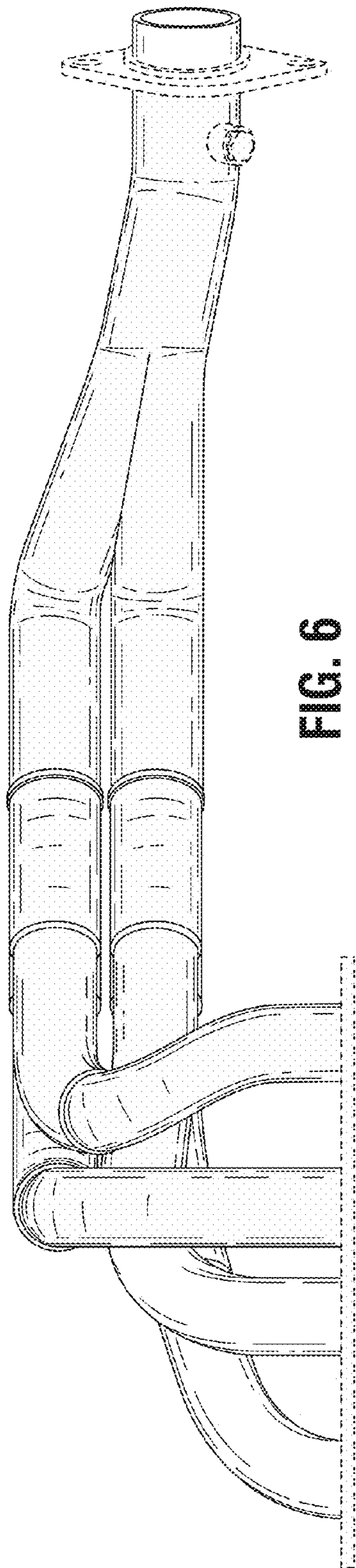


FIG. 6

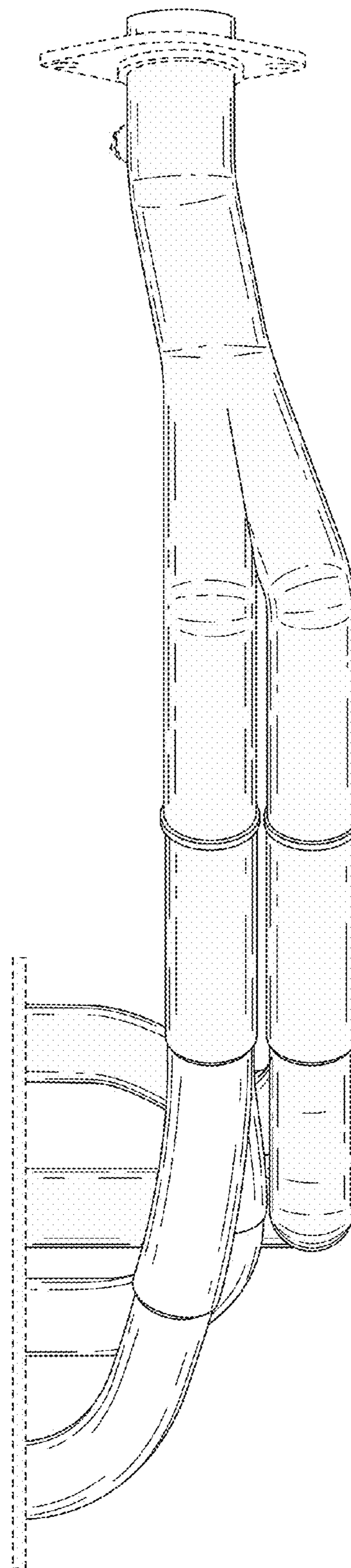


FIG. 7