



US00D714697S

(12) **United States Design Patent**
Perez

(10) **Patent No.:** **US D714,697 S**
(45) **Date of Patent:** **** Oct. 7, 2014**

- (54) **LICENSE PLATE SPORTS MASK**
- (71) Applicant: **Paul A. Perez**, Elk Grove, CA (US)
- (72) Inventor: **Paul A. Perez**, Elk Grove, CA (US)
- (**) Term: **14 Years**
- (21) Appl. No.: **29/445,296**
- (22) Filed: **Feb. 9, 2013**
- (51) **LOC (10) Cl.** **12-16**
- (52) **U.S. Cl.**
USPC **D12/193**
- (58) **Field of Classification Search**
CPC A42B 3/00; A42B 3/04; A42B 3/18;
A42B 3/20; A42B 3/22; A42B 3/225; A63B
29/00; A63B 71/08; A63B 71/10
USPC D12/162, 193, 111; D6/300, 301, 302,
D6/310, 311, 312, 313, 314; D20/13;
40/200, 201, 202, 203, 204, 207-214;
348/148, 373; D21/780, 788; 2/9
See application file for complete search history.

6,047,400 A *	4/2000	Spencer	2/9
D441,332 S	5/2001	McBroom et al.		
D463,885 S	10/2002	Burns		
D477,799 S	7/2003	Arens		
D508,298 S	8/2005	Bernacchi et al.		
7,316,433 B2	1/2008	Levine		
D591,666 S	5/2009	Valeri		
D593,917 S	6/2009	Spencer et al.		
D601,070 S	9/2009	Boyce		
D625,234 S	10/2010	Vuletic		
7,913,435 B1	3/2011	Hummel, III et al.		
D641,300 S	7/2011	Ferency		
D654,227 S	2/2012	Stout et al.		
D663,663 S *	7/2012	Perez	D12/193
D682,941 S *	5/2013	Nash et al.	D19/69
D695,465 S *	12/2013	Erb et al.	D29/122
D706,490 S *	6/2014	Janisse	D29/111

(Continued)

Primary Examiner — Deanna L Pratt
Assistant Examiner — Natasha Vujcic
(74) *Attorney, Agent, or Firm* — Dennis A. DeBoo

(57) **CLAIM**
The ornamental design for a license plate sports mask, as shown and described.

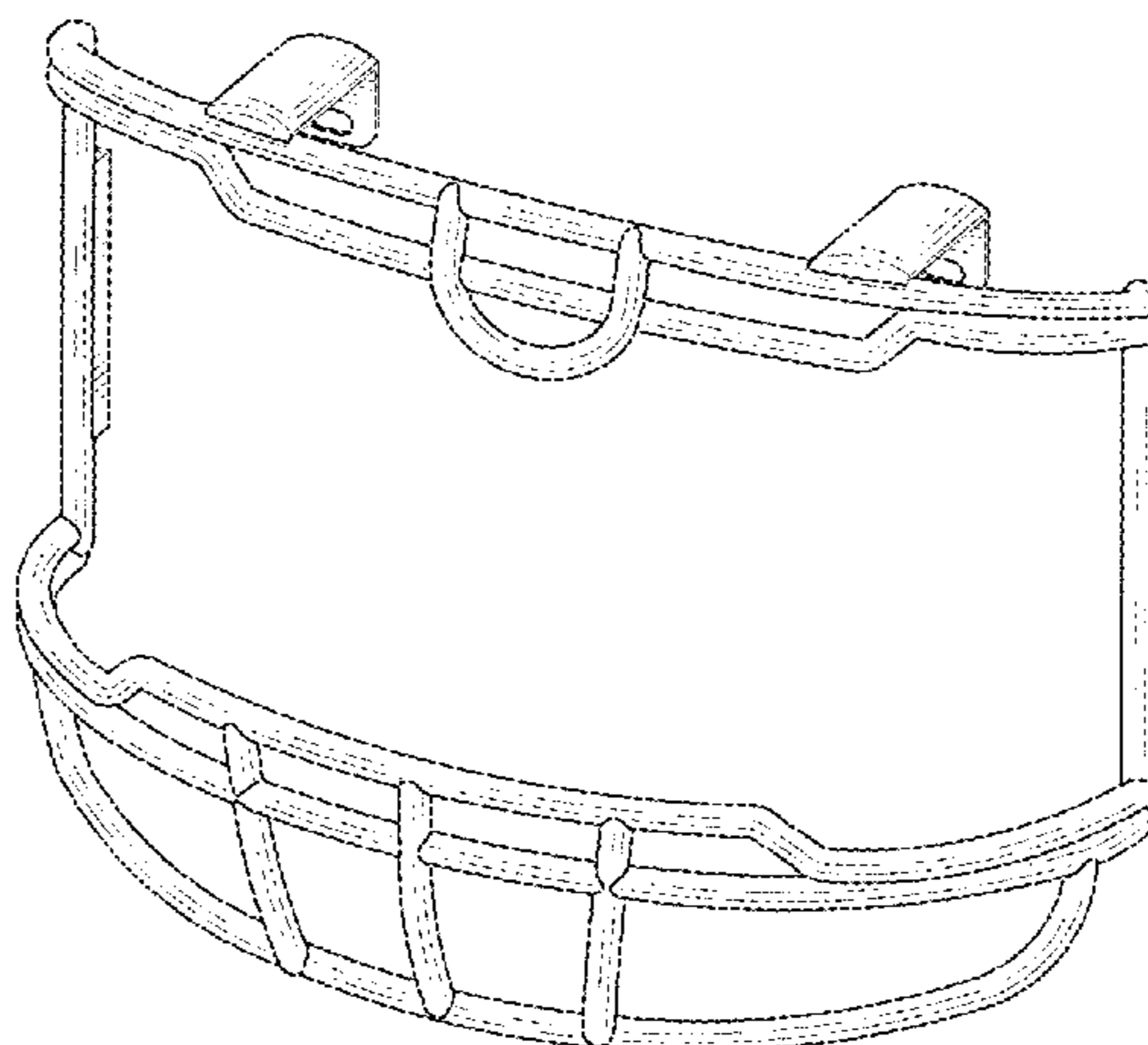
DESCRIPTION

FIG. 1 is a front perspective view of a license plate sports mask, showing my new design;
FIG. 2 is a front elevational view thereof;
FIG. 3 is a right side elevational view thereof, the left side being a mirror image;
FIG. 4 is a top view thereof;
FIG. 5 is a bottom view thereof;
FIG. 6 is a rear elevational view thereof;
FIG. 7 is a front perspective view thereof; and,
FIG. 8 is a rear perspective view thereof.
The broken line showing of the license plate frame in FIG. 7 illustrates the environment of the claimed design and forms no part thereof.

1 Claim, 3 Drawing Sheets

(56) **References Cited**
U.S. PATENT DOCUMENTS

D131,351 S	2/1942	Knapke		
4,011,675 A	3/1977	Herring		
4,031,564 A *	6/1977	Wood	2/9
D280,460 S *	9/1985	Gronborg et al.	D29/111
D289,568 S	4/1987	Nimmons		
D298,868 S	12/1988	Klindt		
4,885,807 A *	12/1989	Snow, Jr.	2/424
4,933,993 A *	6/1990	McClelland	2/424
4,956,930 A	9/1990	Troncoso		
D318,838 S	8/1991	Troncoso		
5,384,914 A *	1/1995	Caveness et al.	2/9
D365,077 S	12/1995	Lee		
D366,236 S	1/1996	Chu		
D381,127 S	7/1997	Rothwell		
D413,291 S	8/1999	Corns, Jr.		



US D714,697 S

Page 2

(56)

References Cited

2011/0204595 A1 8/2011 Fox
2014/0101829 A1* 4/2014 Witcher 2/414

U.S. PATENT DOCUMENTS

2010/0011476 A1* 1/2010 Kavanagh 2/9 * cited by examiner

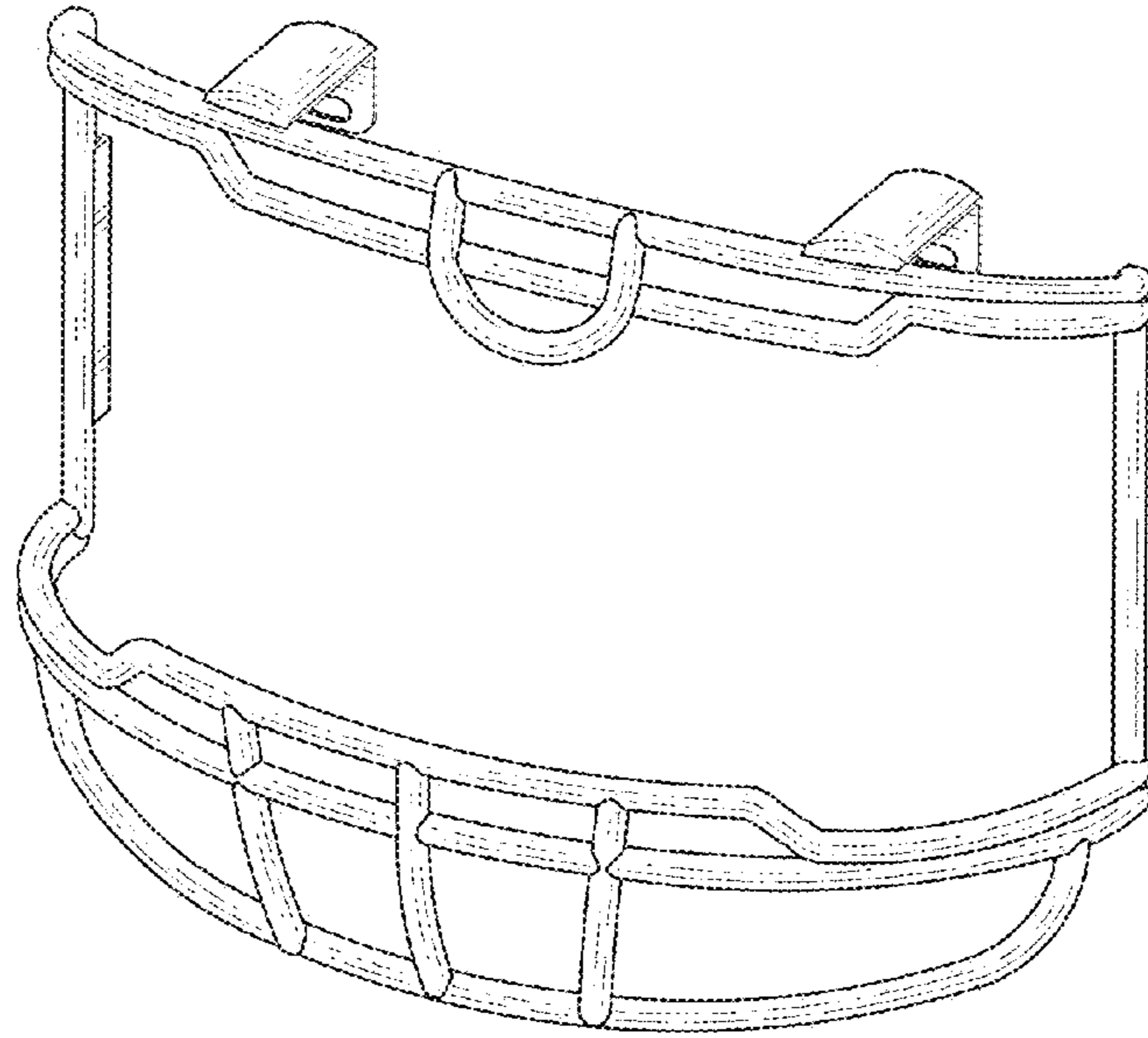


Fig. 1

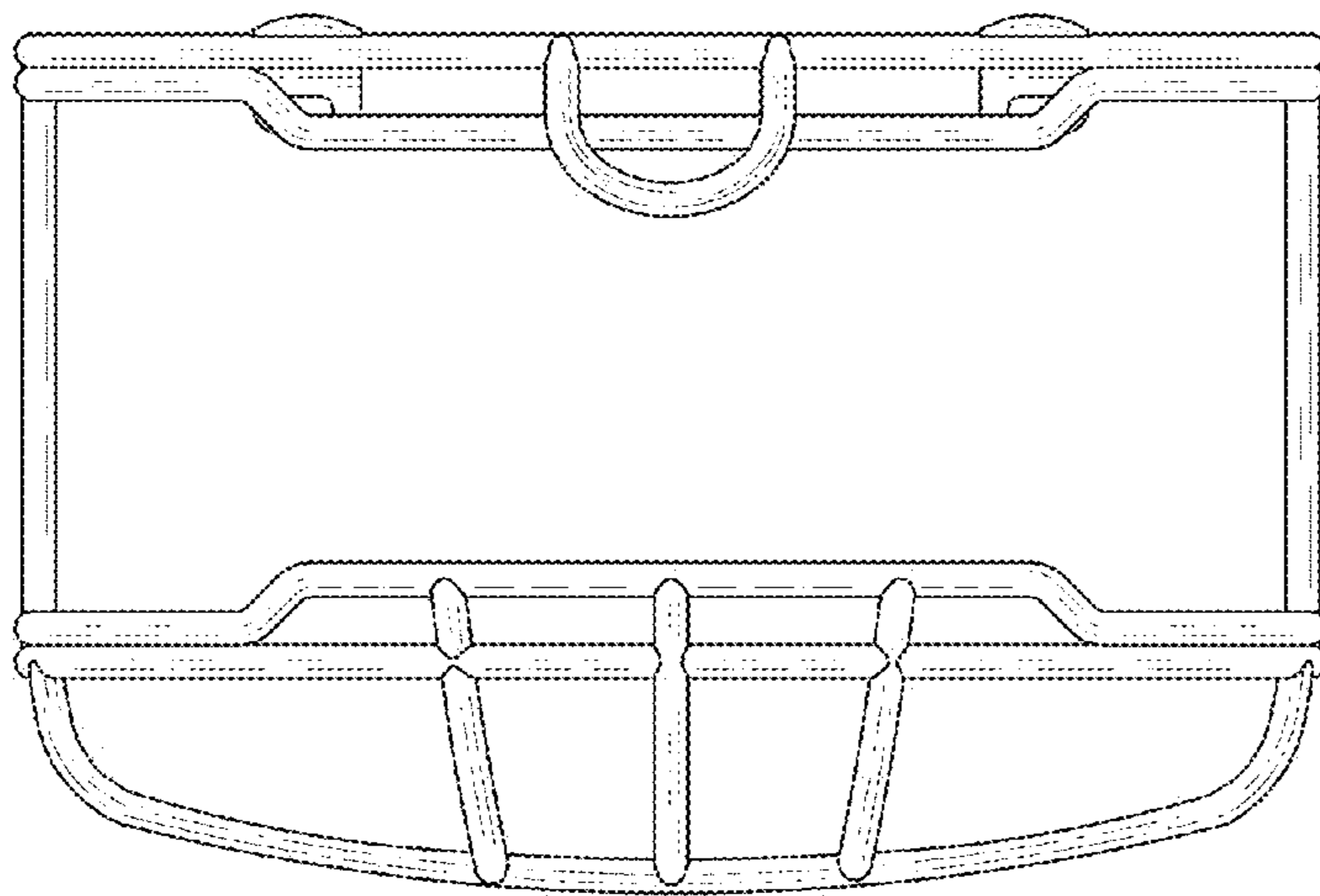


Fig. 2

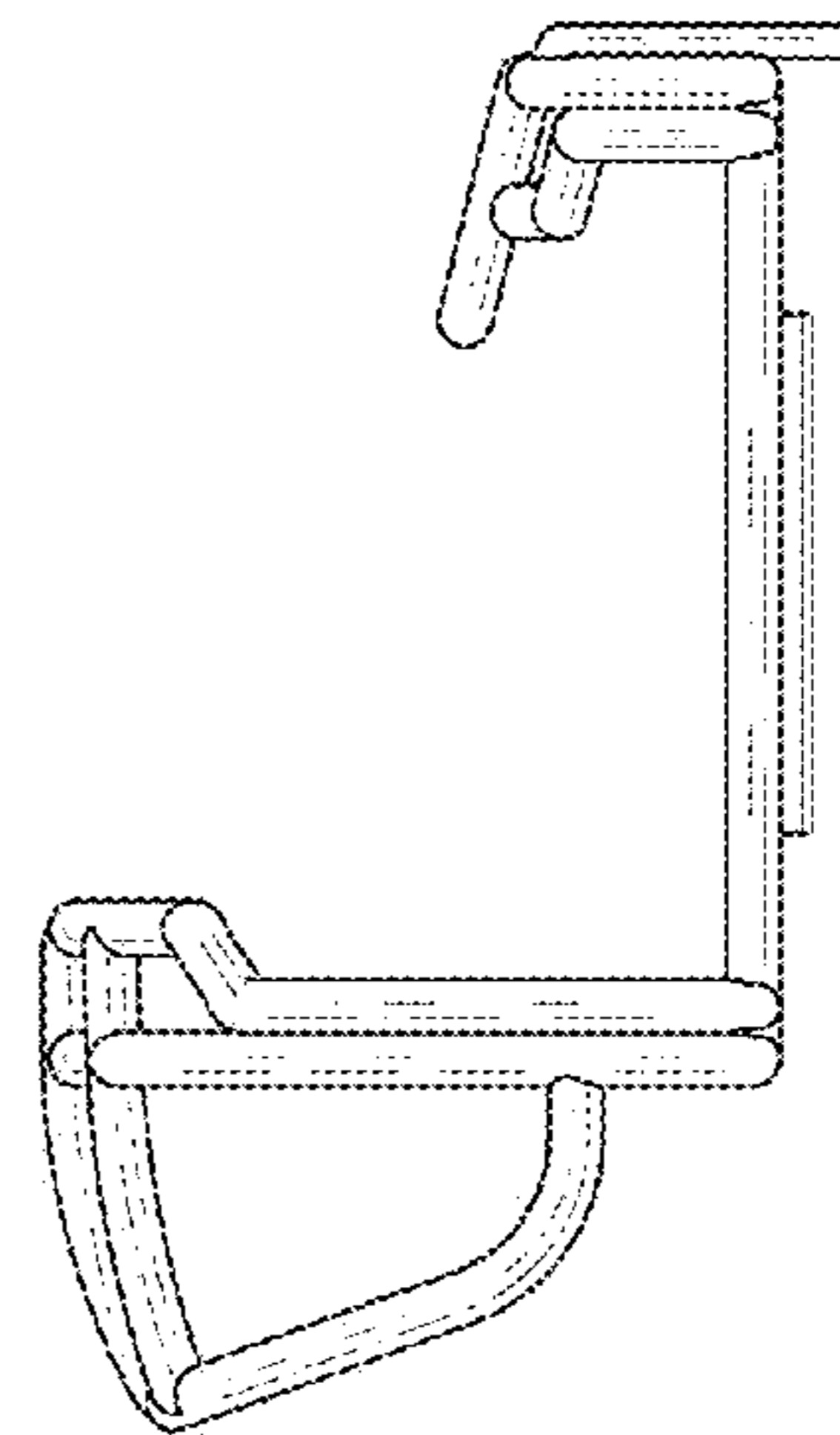


Fig. 3

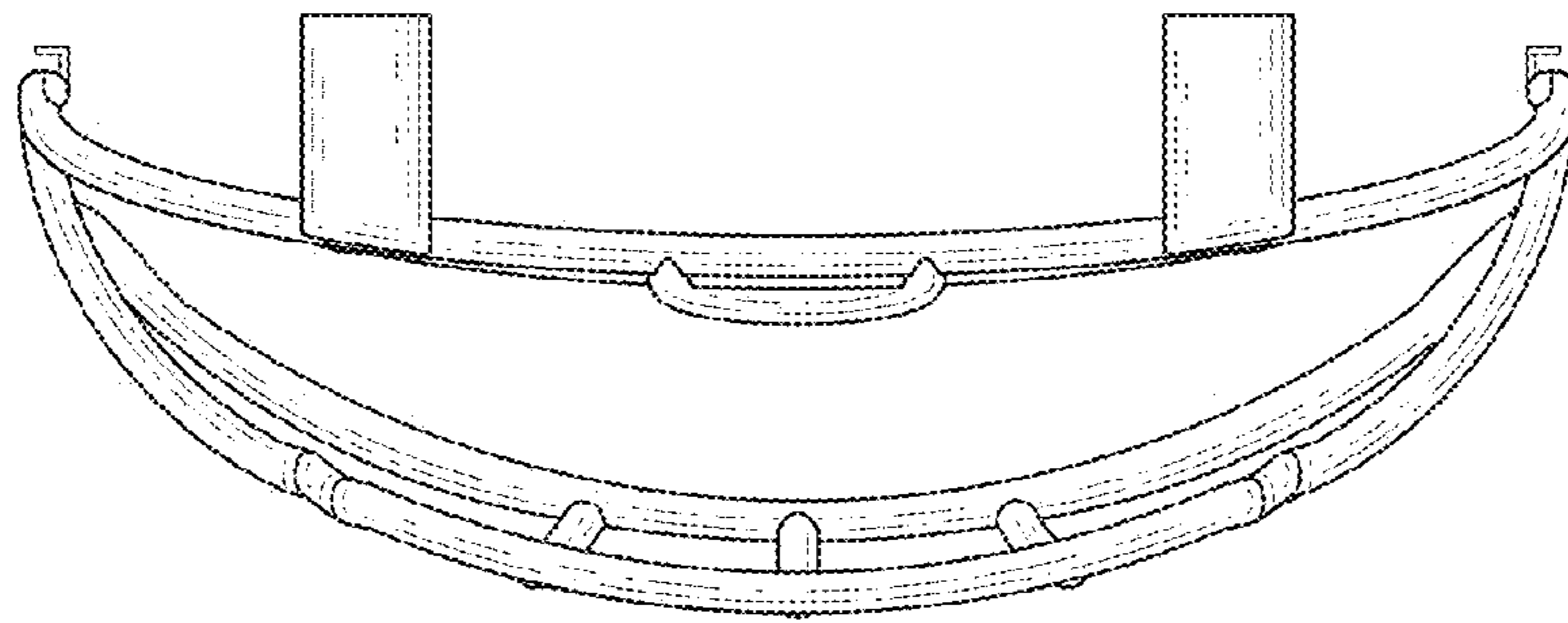


Fig. 4

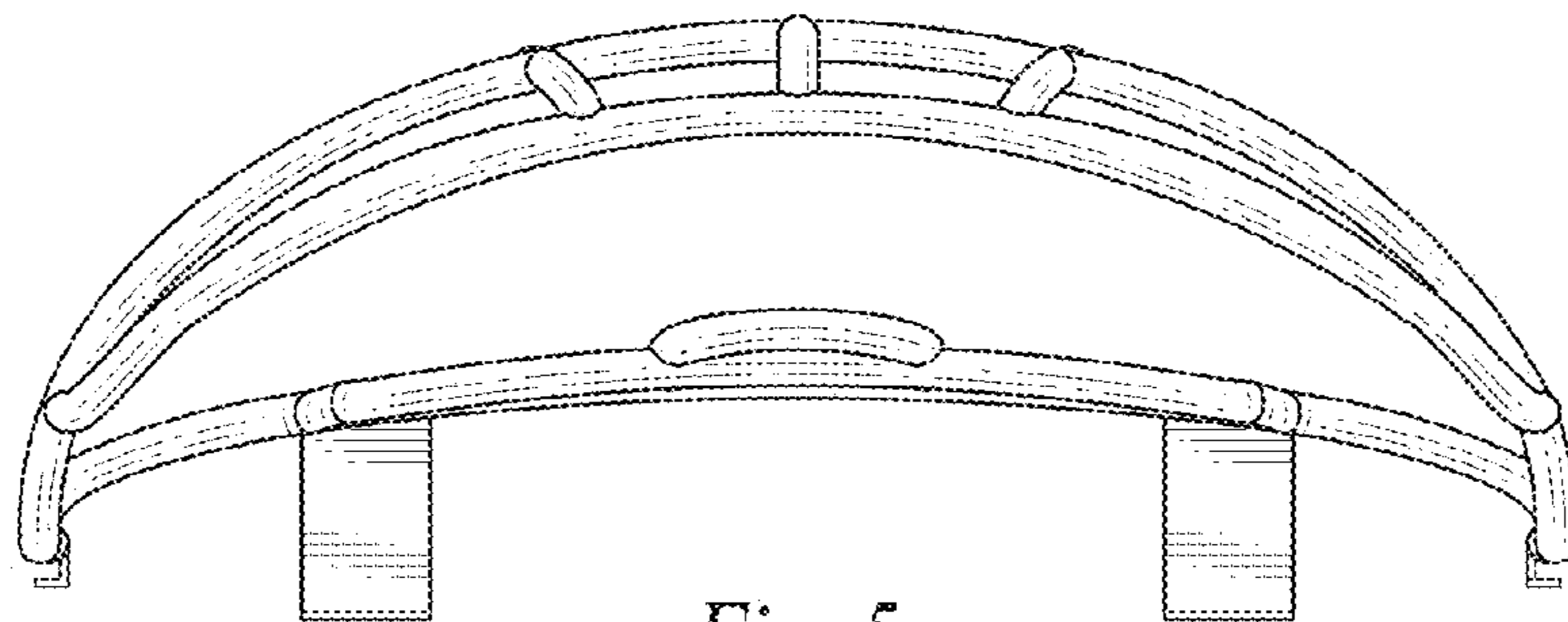


Fig. 5

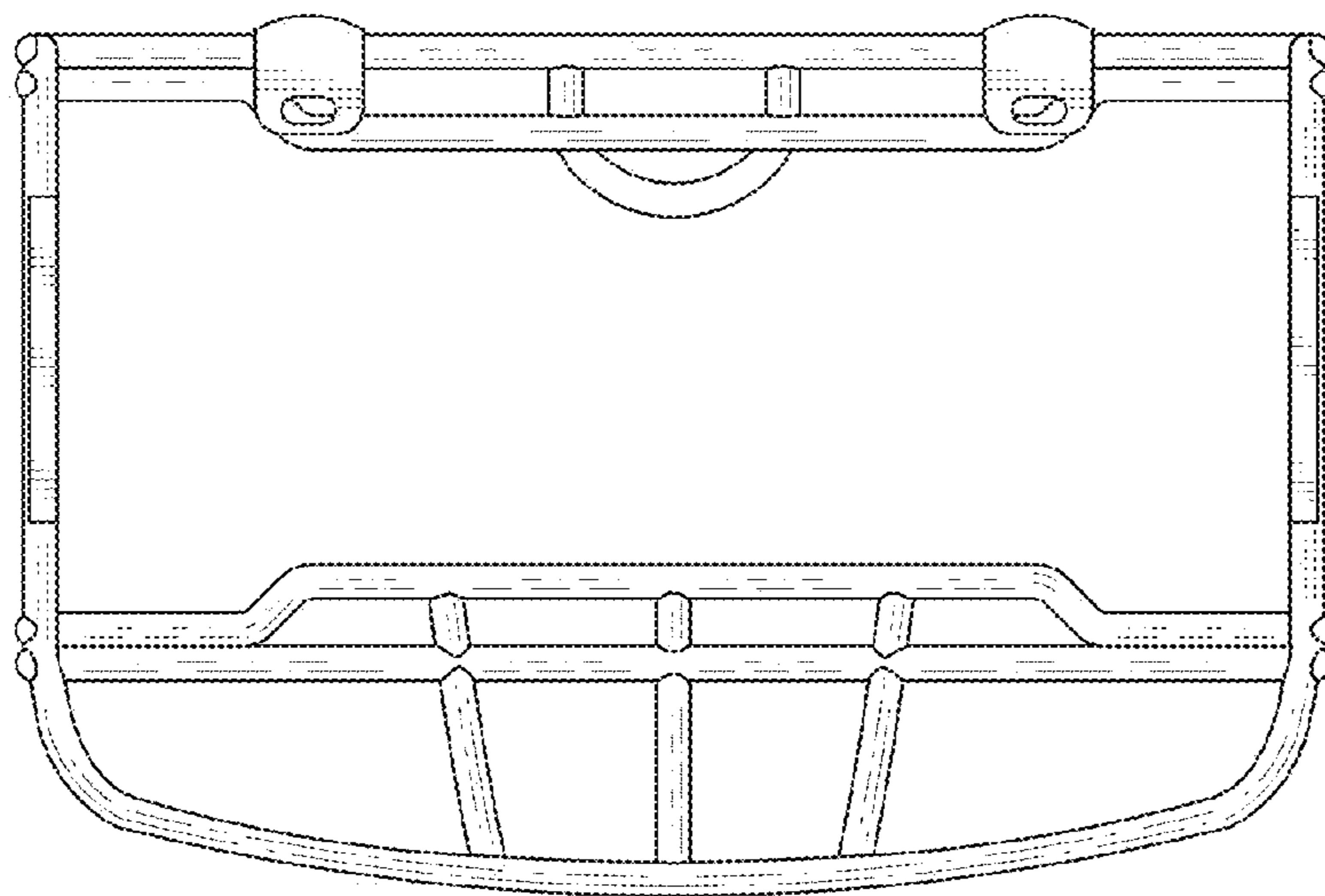


Fig. 6

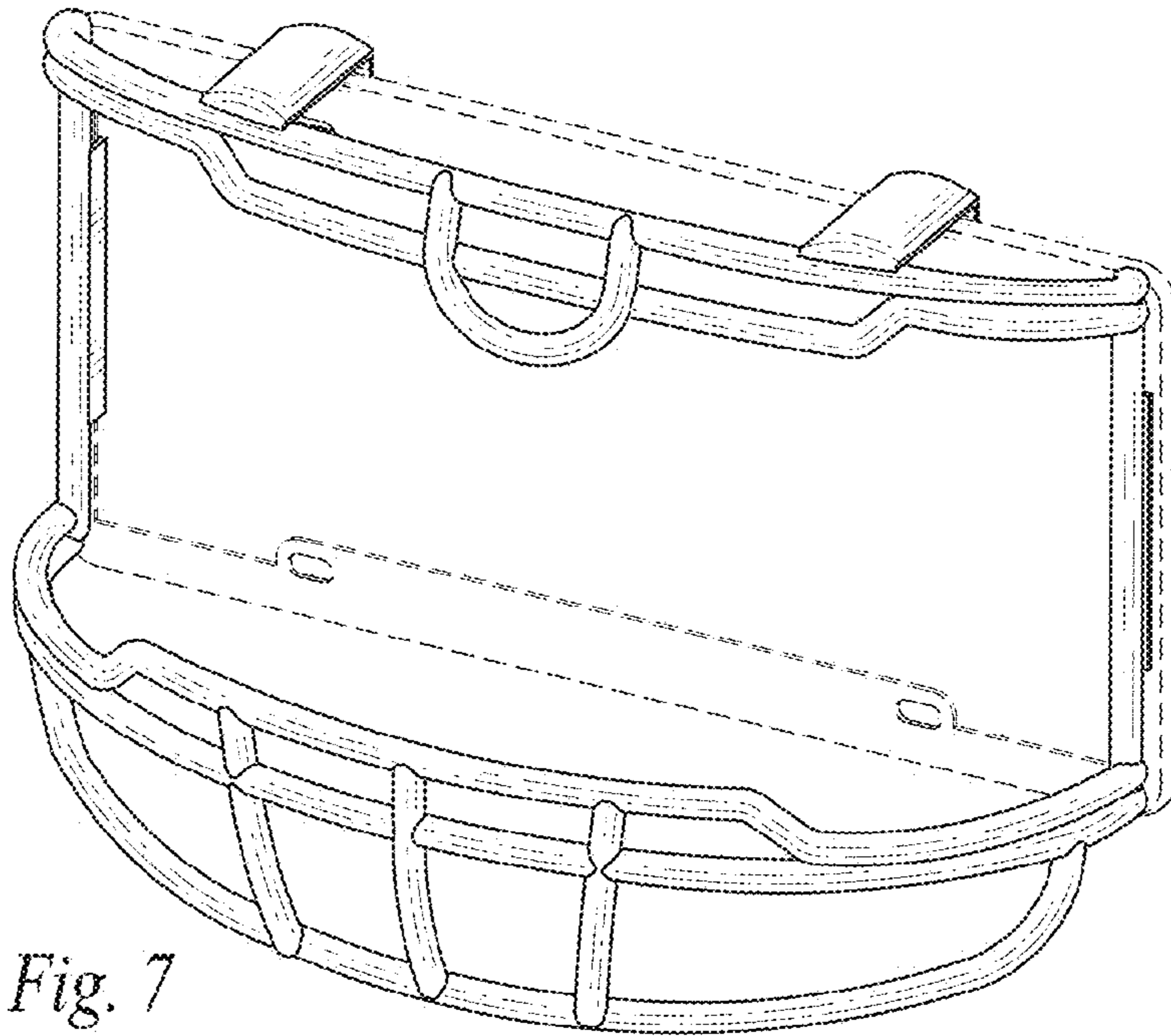


Fig. 7

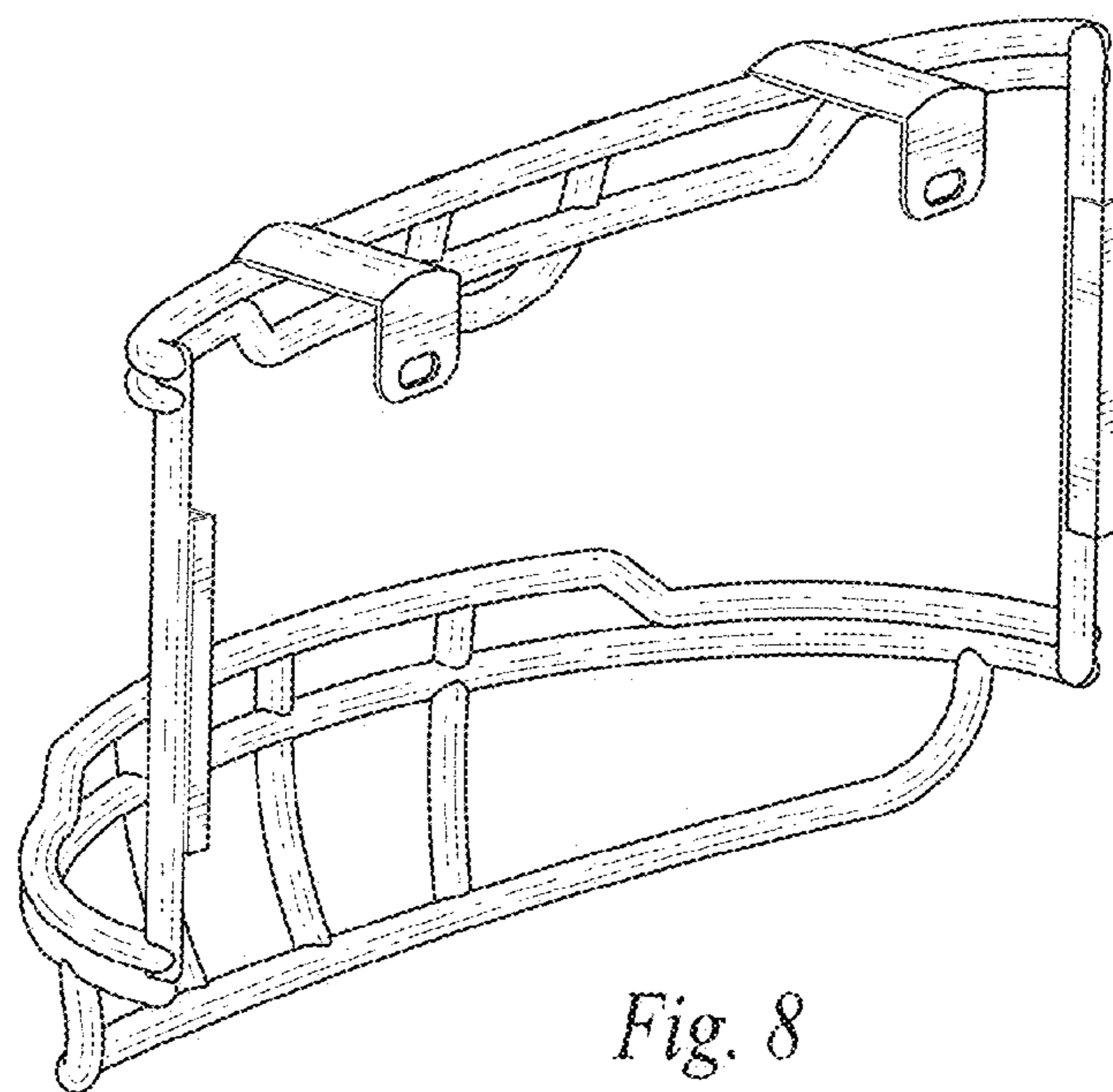


Fig. 8