

US00D714692S

(12) **United States Design Patent**
Costello et al.

(10) **Patent No.:** **US D714,692 S**
(45) **Date of Patent:** **** Oct. 7, 2014**

(54) **TRANSPORTABLE LIQUID WASTE
PROCESSING TANK**

7,815,223 B2 * 10/2010 Bachman 280/839
D637,114 S * 5/2011 Ries D12/95
8,328,040 B2 * 12/2012 Ries 220/562
2010/0147753 A1 6/2010 Baziuk

(71) Applicants: **Neil Costello**, Beenleigh (AU); **Jack
Beach**, Bennleigh (AU)

FOREIGN PATENT DOCUMENTS

(72) Inventors: **Neil Costello**, Beenleigh (AU); **Jack
Beach**, Bennleigh (AU)

DE 7222507 12/1972
EP 0633205 1/1995
EP 1714830 10/2006

(73) Assignee: **Vac-U-Digga R&D Pty Ltd**, Beenleigh,
Queensland (AU)

OTHER PUBLICATIONS

(**) Term: **14 Years**

Epo Search Report.

(21) Appl. No.: **29/454,597**

* cited by examiner

(22) Filed: **May 12, 2013**

Primary Examiner — Robin V Webster

(30) **Foreign Application Priority Data**

(74) *Attorney, Agent, or Firm* — Raymond A. Nuzzo

Nov. 13, 2012 (AU) 15602/2012
Nov. 13, 2012 (AU) 15629/2012

(57) **CLAIM**

The ornamental design for a transportable liquid waste processing tank, as shown and described.

(51) **LOC (10) Cl.** **23-01**

DESCRIPTION

(52) **U.S. Cl.**
USPC **D12/95; D23/207**

(58) **Field of Classification Search**
CPC B60P 3/22; B60P 3/24
USPC D23/209, 202, 207; D12/14, 95;
280/837, 838, 839; 210/532.1, 532.2;
220/562

See application file for complete search history.

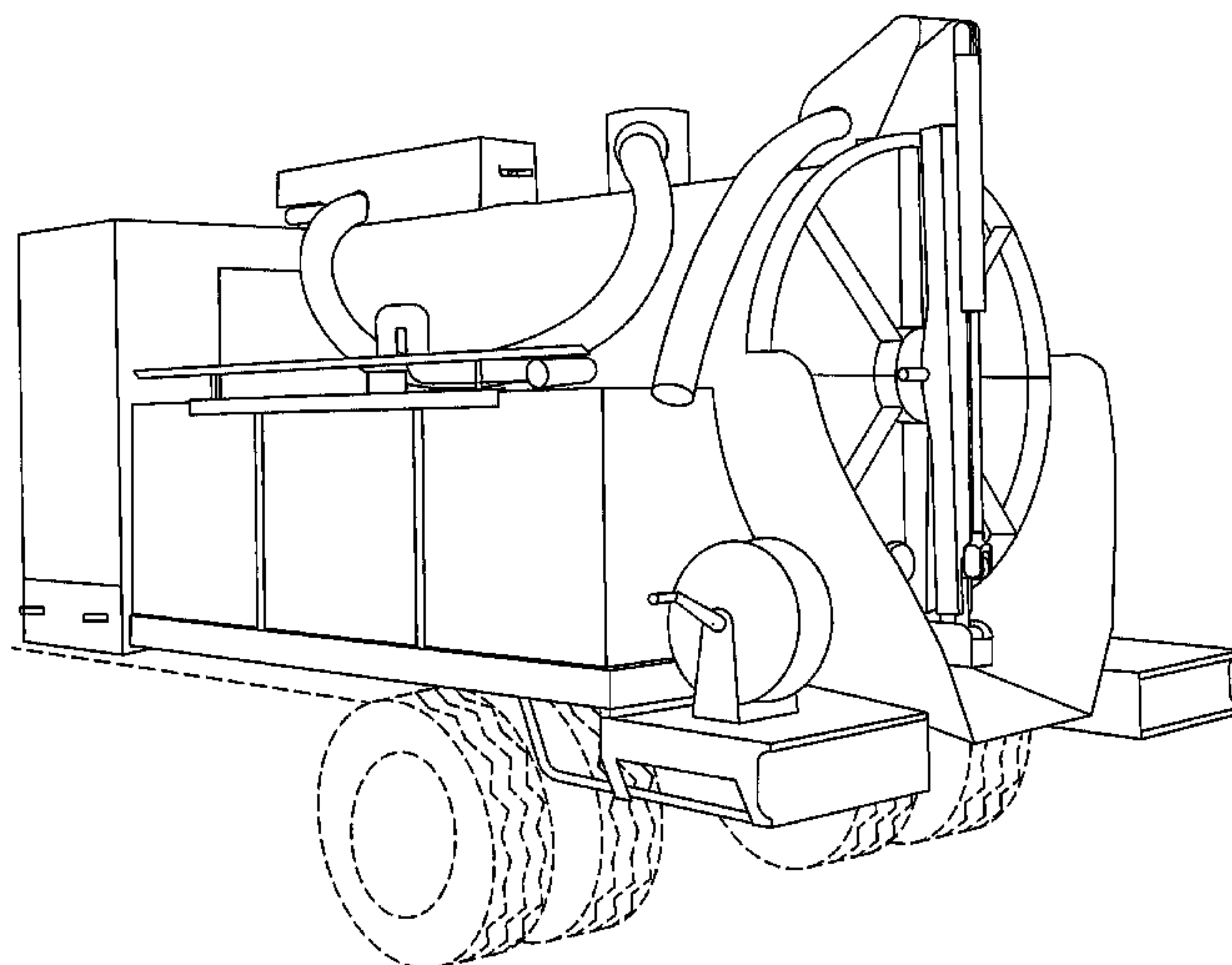
FIG. 1 is a side view of a transportable liquid waste processing tank showing our new design, the transportable liquid waste processing tank being shown in a resting position; FIG. 2 is a side view of the transportable liquid waste processing tank in the raised or emptying position; FIG. 3 is a rear, perspective view of the transportable liquid waste processing tank in the resting position; FIG. 4 is a rear, perspective view of the transportable liquid waste processing tank in the raised or emptying position; FIG. 5 is a rear view of the transportable liquid waste processing tank in the resting position; FIG. 6 is a rear, perspective view of the transportable liquid waste processing tank in the raised or emptying position; and, FIG. 7 is a rear view of the transportable liquid waste processing tank with a rear tank lid in the open position. The broken line showing is included for the purpose of illustrating and forms no part of the claimed design.

(56) **References Cited**

U.S. PATENT DOCUMENTS

D152,055 S * 12/1948 Brasfield D12/85
3,266,675 A * 8/1966 Willis 222/160
4,016,994 A 4/1977 Wurster
4,543,183 A 9/1985 Petretti
4,816,167 A 3/1989 Vanderslice
D473,494 S * 4/2003 Lieberman D12/95
D490,025 S * 5/2004 Oakley D12/95
D557,178 S * 12/2007 Petzitto et al. D12/95

1 Claim, 7 Drawing Sheets



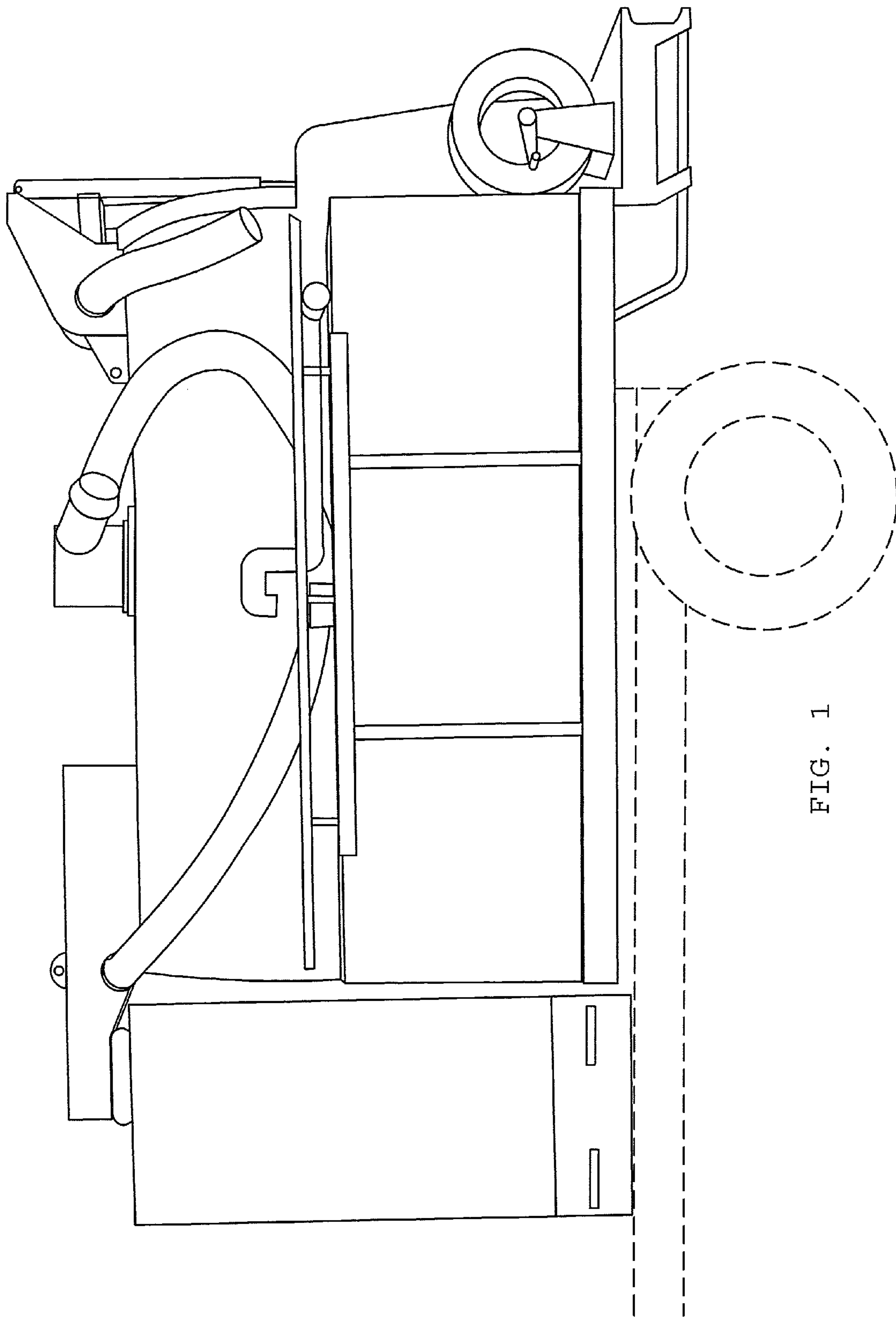


FIG. 1

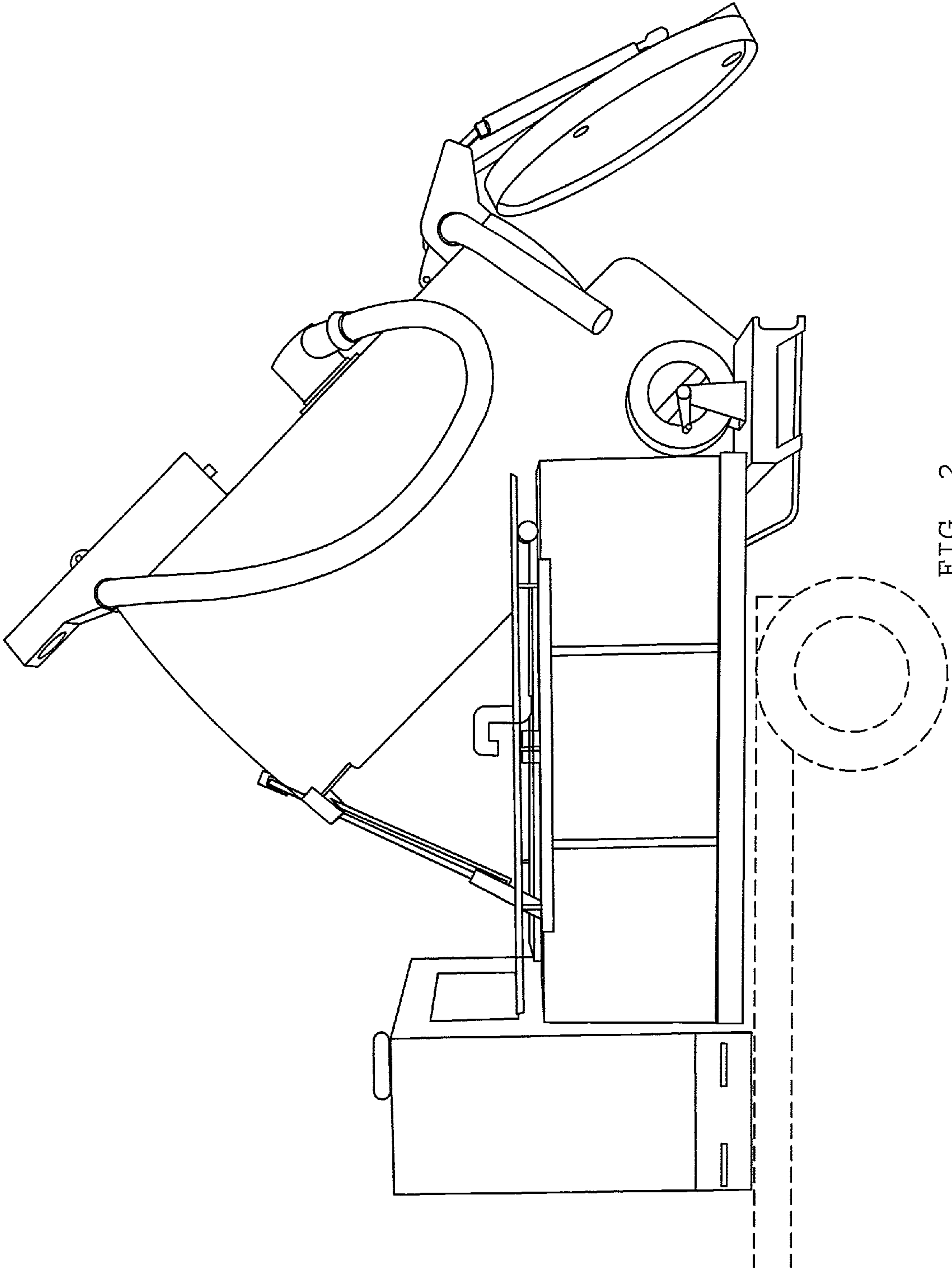


FIG. 2

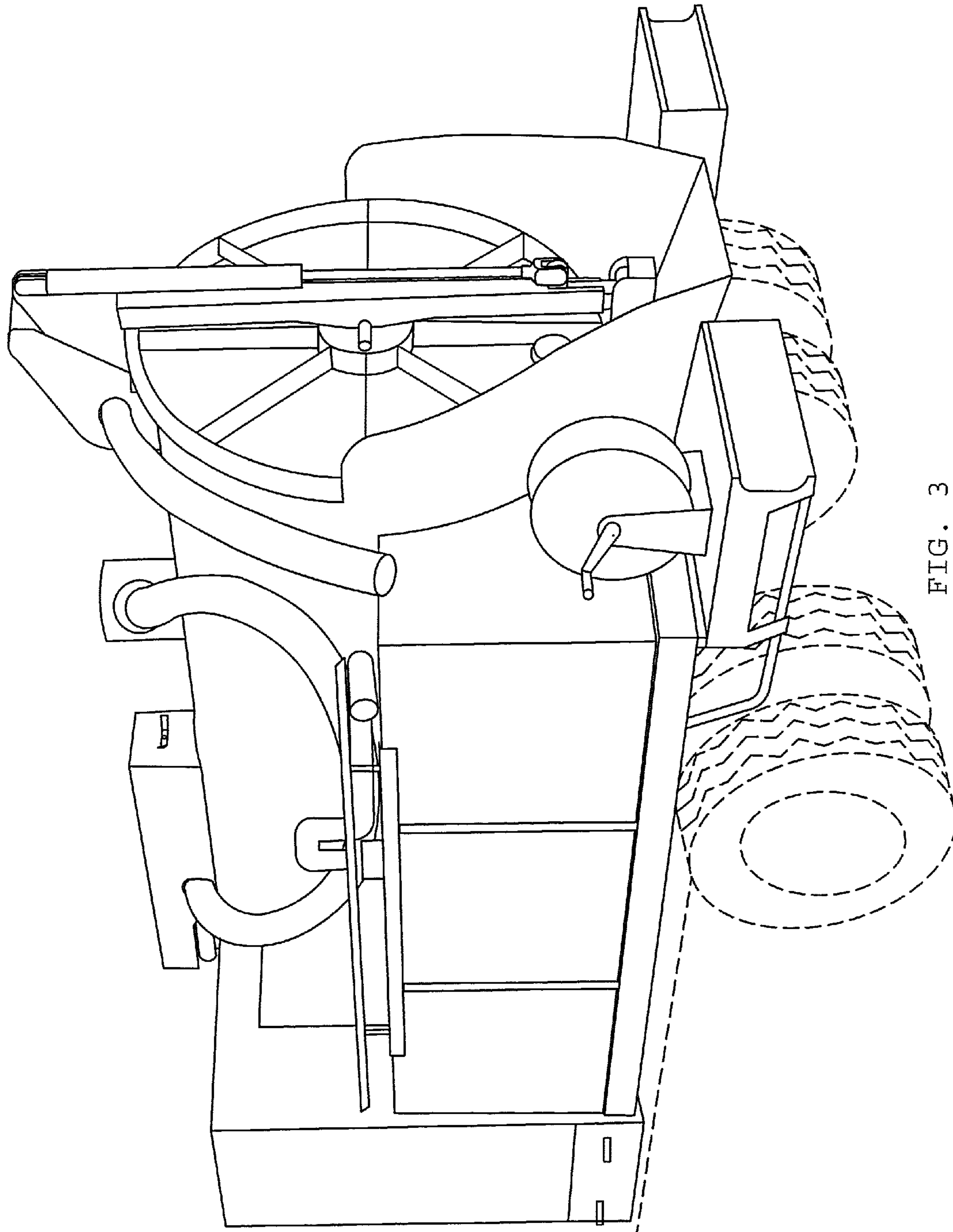


FIG. 3

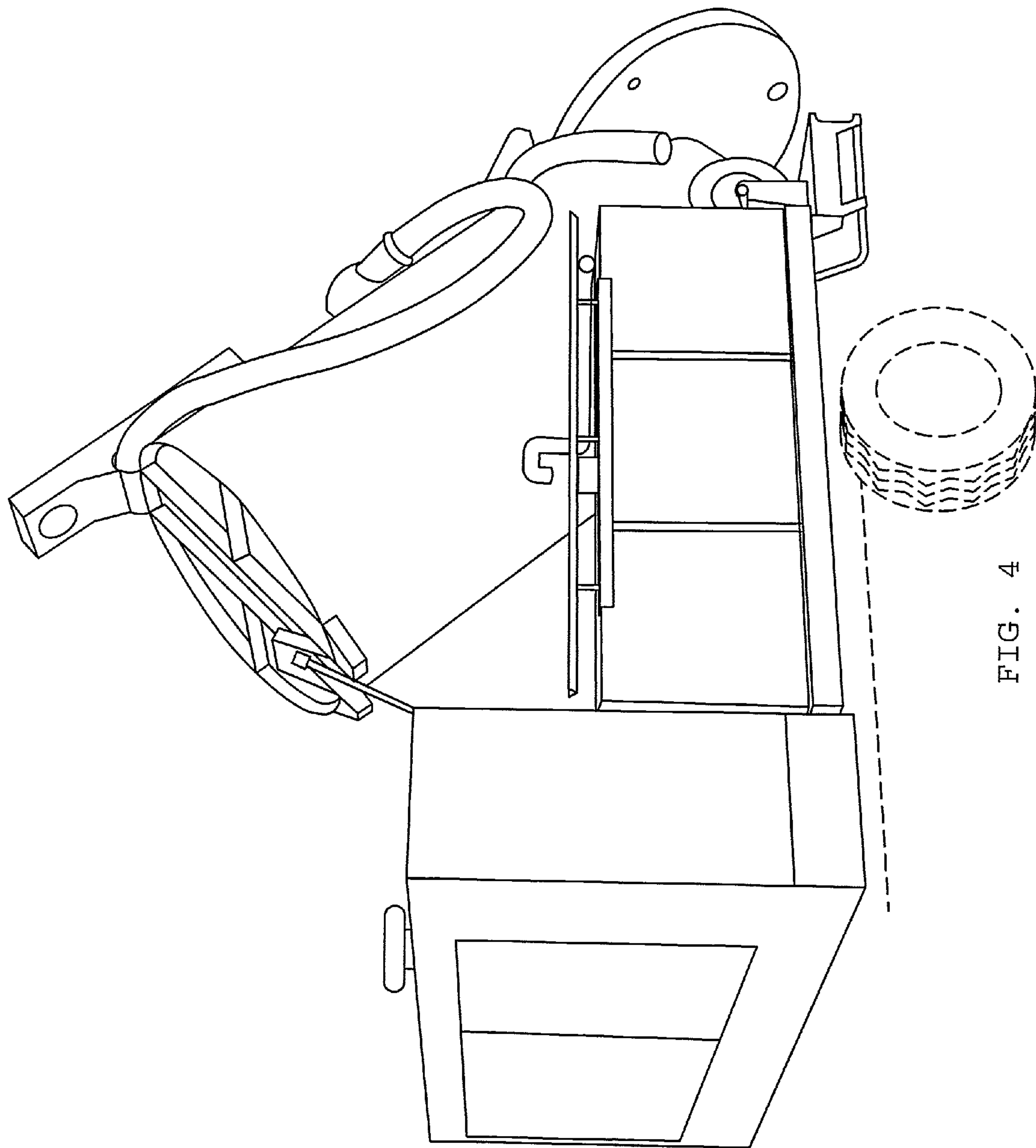


FIG. 4

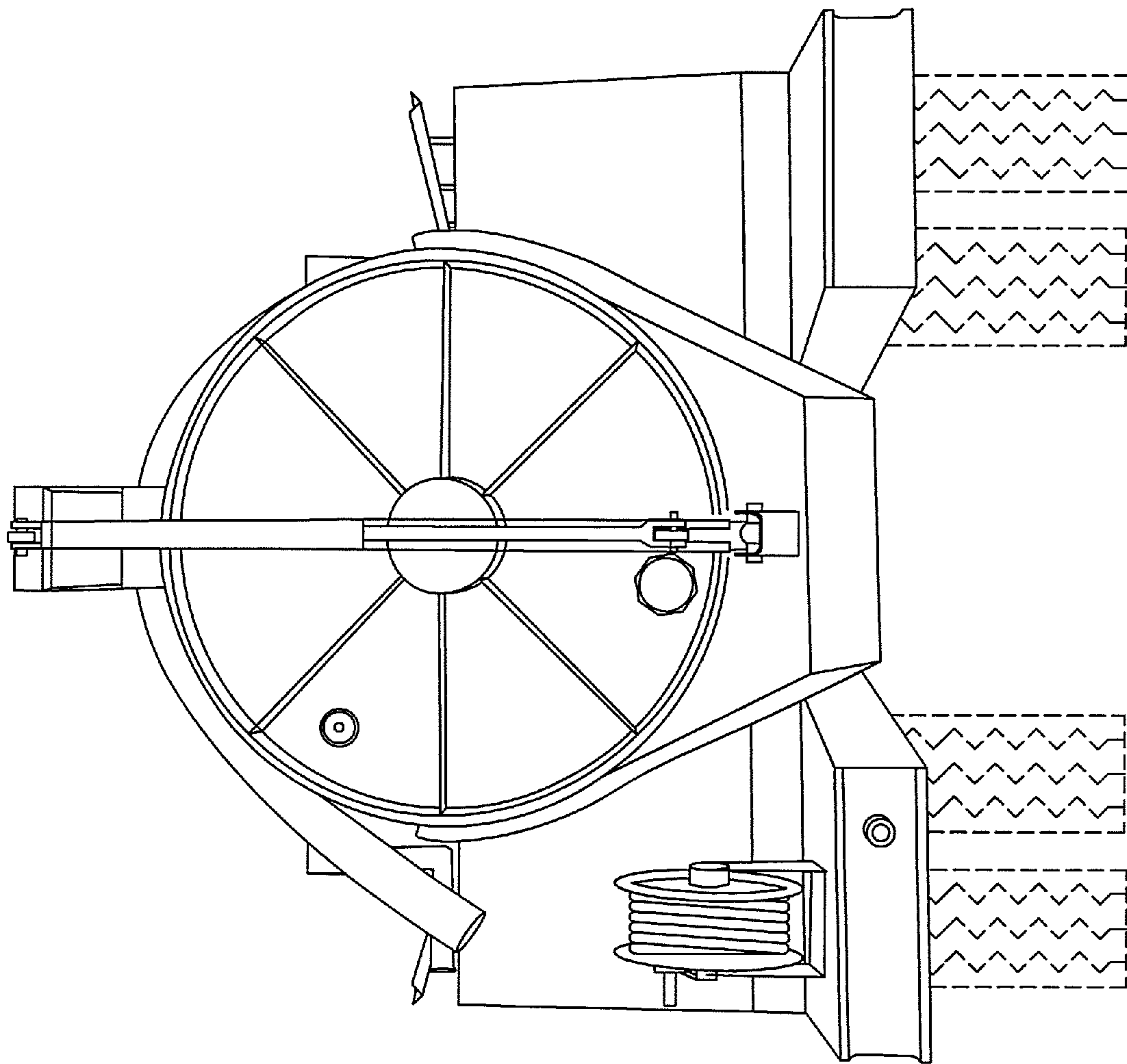


FIG. 5

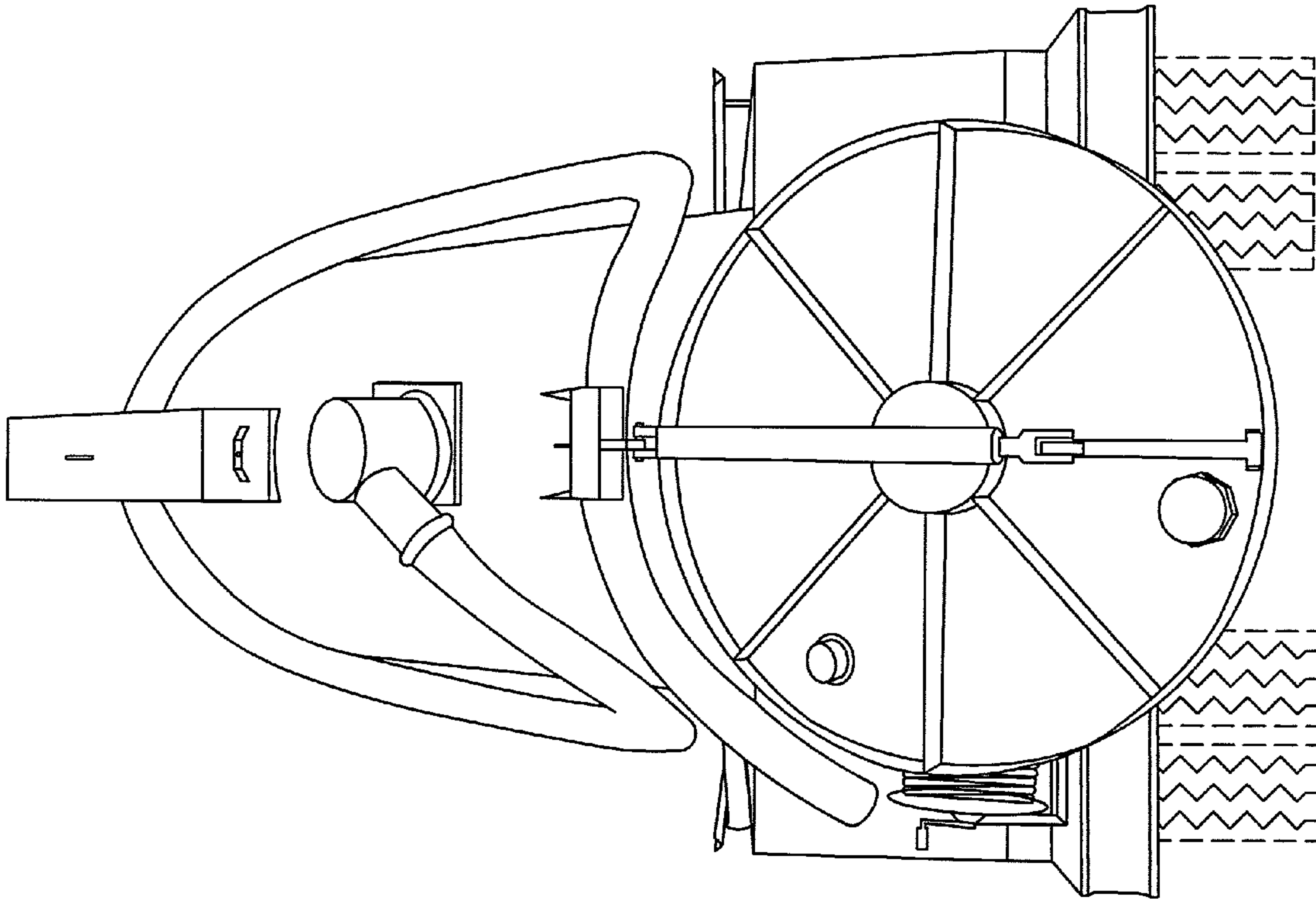


FIG. 6

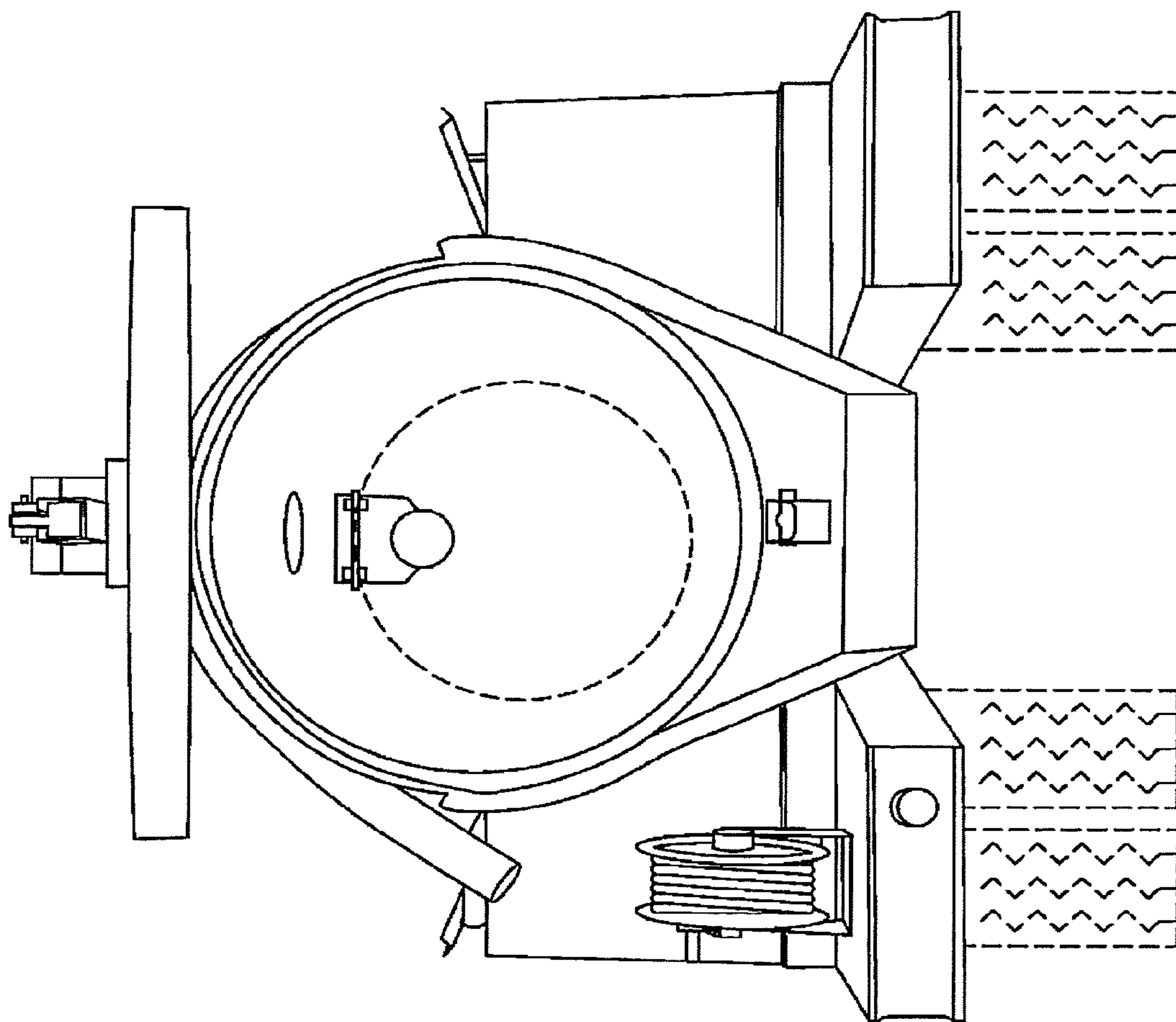


FIG. 7