



US00D714682S

(12) **United States Design Patent**  
**Paik et al.**

(10) **Patent No.:** **US D714,682 S**  
(45) **Date of Patent:** **\*\* Oct. 7, 2014**

(54) **BELT BUCKLE**

(71) Applicant: **Woojin Plastic Co. Ltd.**, Guri-si (KR)  
(72) Inventors: **Jisook Paik**, Seoul (KR); **Nan Hee Paik**, Seoul (KR); **Ji Hye Paik**, Seoul (KR); **Ji Won Son**, Seoul (KR)  
(73) Assignee: **Woojin Plastic Co. Ltd.**, Guri-Si, Gyeonggi-Do (KR)  
(\*\*) Term: **14 Years**  
(21) Appl. No.: **29/477,781**  
(22) Filed: **Dec. 26, 2013**  
(30) **Foreign Application Priority Data**  
Jul. 11, 2013 (KR) ..... 30-2013-0035692  
(51) **LOC (10) Cl.** ..... **02-07**  
(52) **U.S. Cl.**  
USPC ..... **D11/216**  
(58) **Field of Classification Search**  
CPC ..... A44B 11/26; A44B 11/25; A44B 11/06  
USPC ..... D11/1-2, 200-201, 206-210, 214-218;  
24/163 R, 169-171, 173, 177-179, 191,  
24/194-195, 197, 200, 614-616, 625, 198,  
24/578.11, 578.1, 163 K, 114, 307, 311,  
24/633, 629  
See application file for complete search history.

(56) **References Cited**

U.S. PATENT DOCUMENTS

D210,762 S *	4/1968	Jantzen .....	D11/216
D386,125 S *	11/1997	Anscher .....	D11/218
D511,713 S *	11/2005	Carbonero .....	D11/212
8,261,417 B2 *	9/2012	Yoshiguchi .....	24/633
D702,593 S *	4/2014	Koreishi .....	D11/216

\* cited by examiner

*Primary Examiner* — Ralf Seifert

(74) *Attorney, Agent, or Firm* — Novick, Kim & Lee, PLLC;  
Jae Youn Kim

(57) **CLAIM**

We claim, the ornamental design for a belt buckle, as shown and described.

**DESCRIPTION**

FIG. 1 is a perspective view of a belt buckle, showing our new design;  
FIG. 2 is a front elevational view thereof;  
FIG. 3 is a rear elevational view thereof;  
FIG. 4 is a left side elevational view thereof;  
FIG. 5 is a right side elevational view thereof;  
FIG. 6 is a top plan view thereof; and,  
FIG. 7 is a bottom plan view thereof.

**1 Claim, 3 Drawing Sheets**

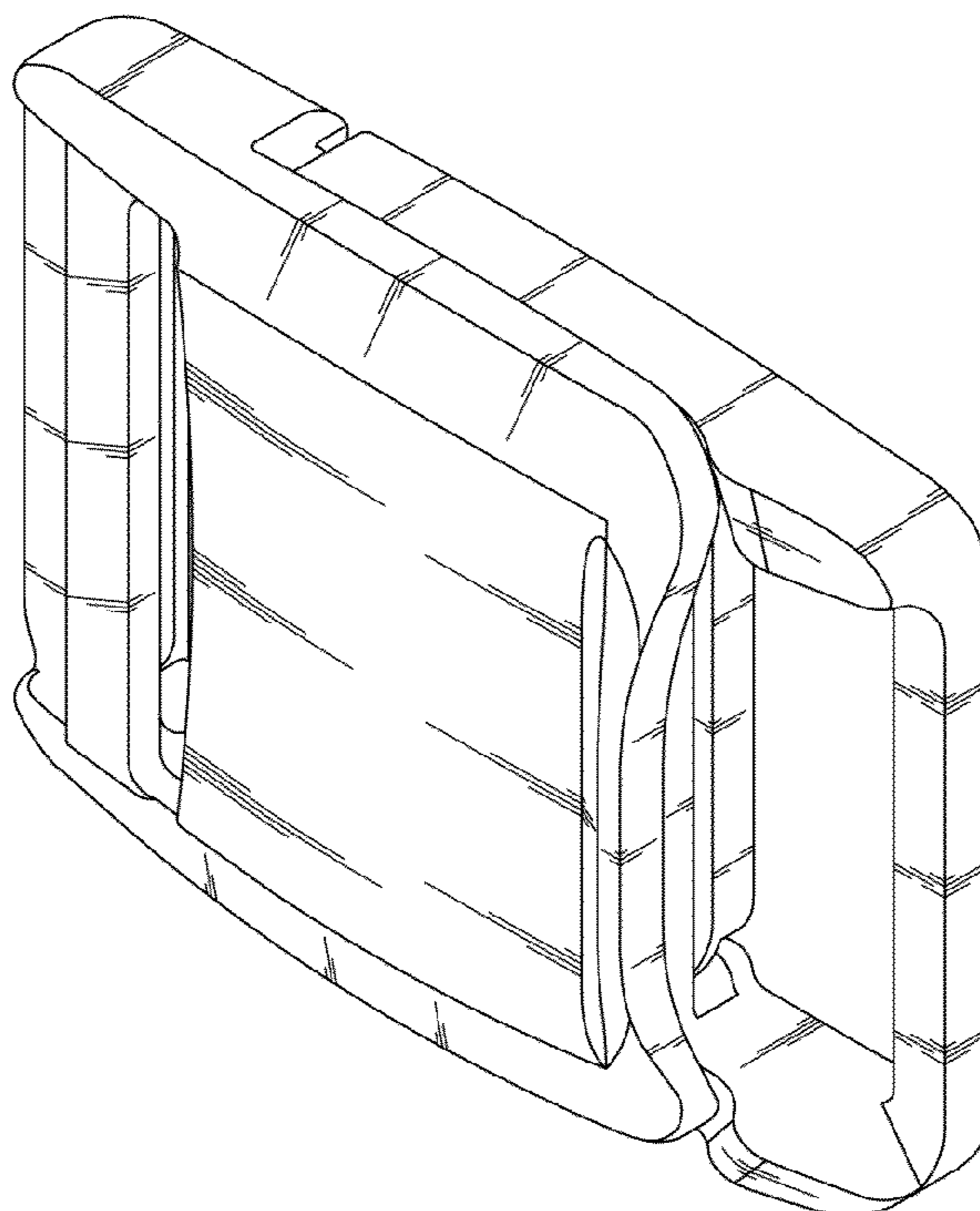


FIG.1

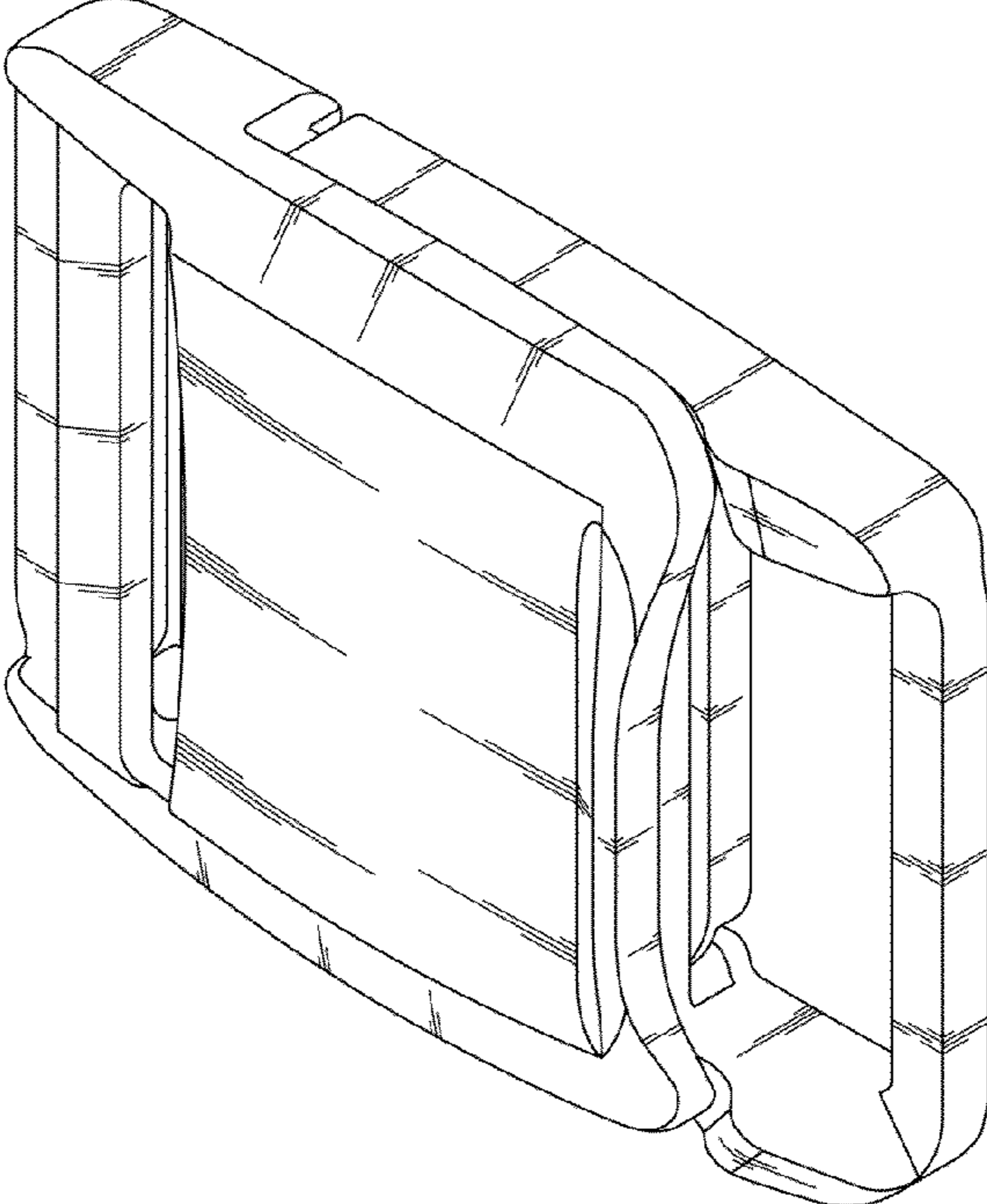


FIG.2

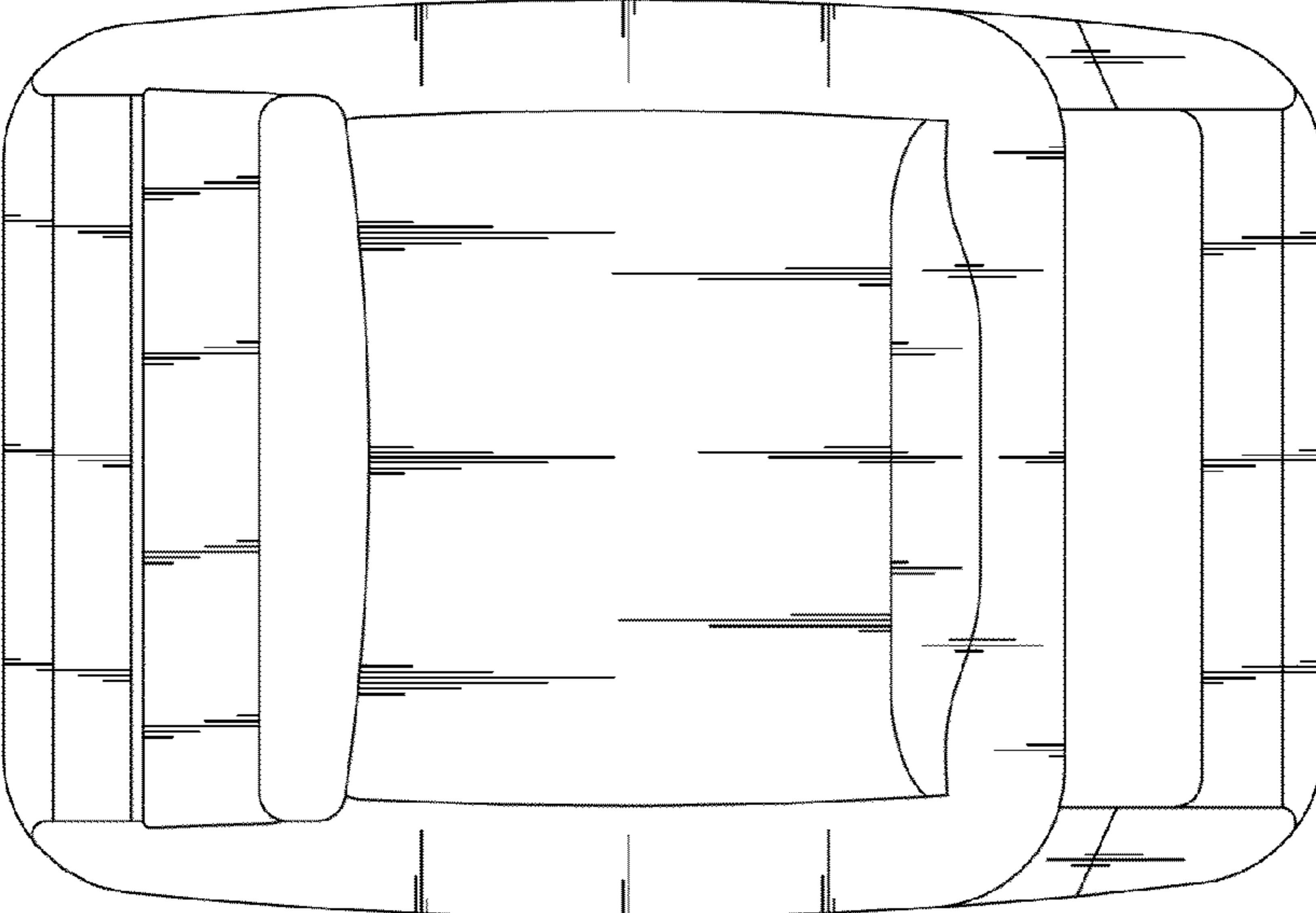


FIG.3

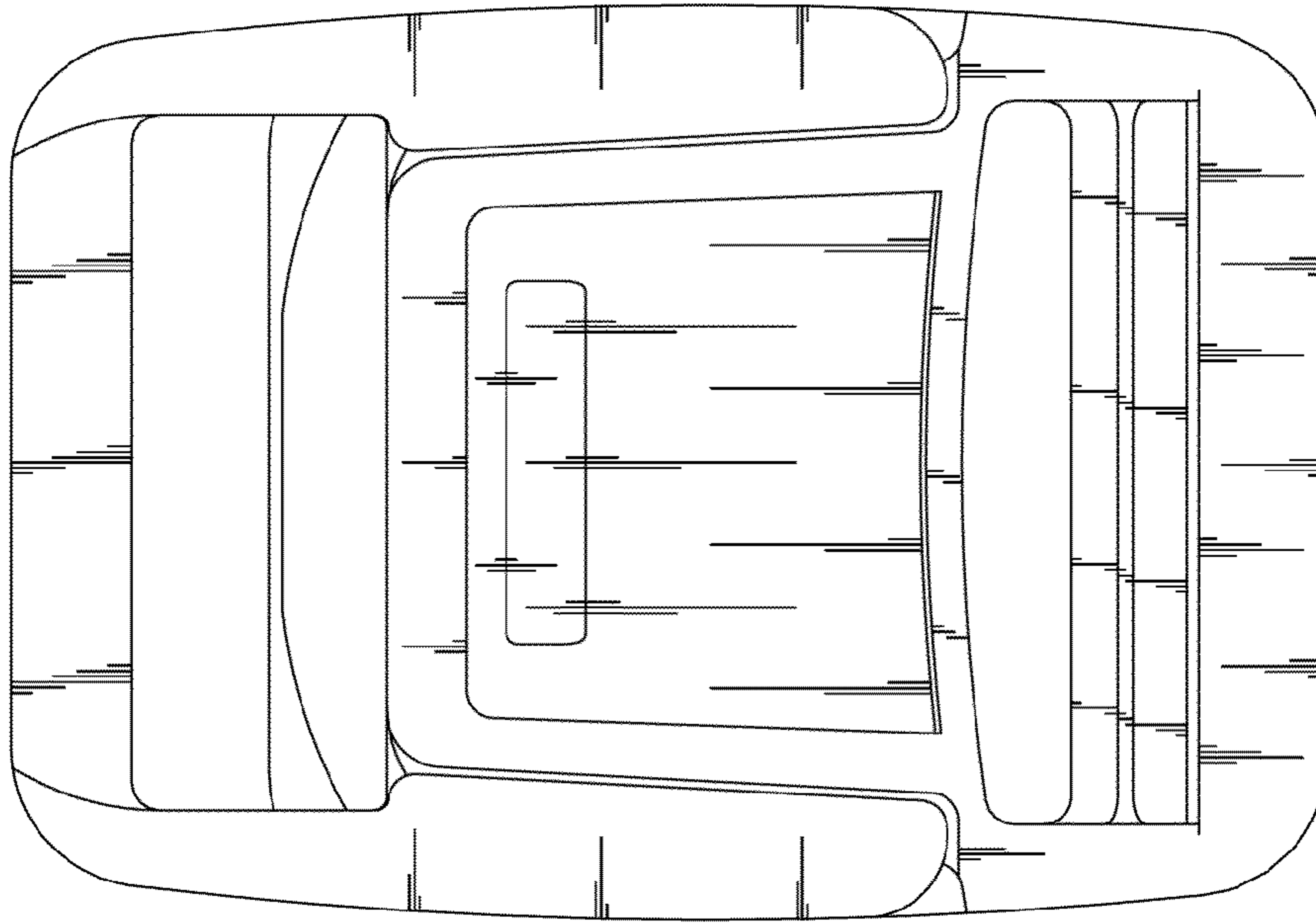


FIG.4

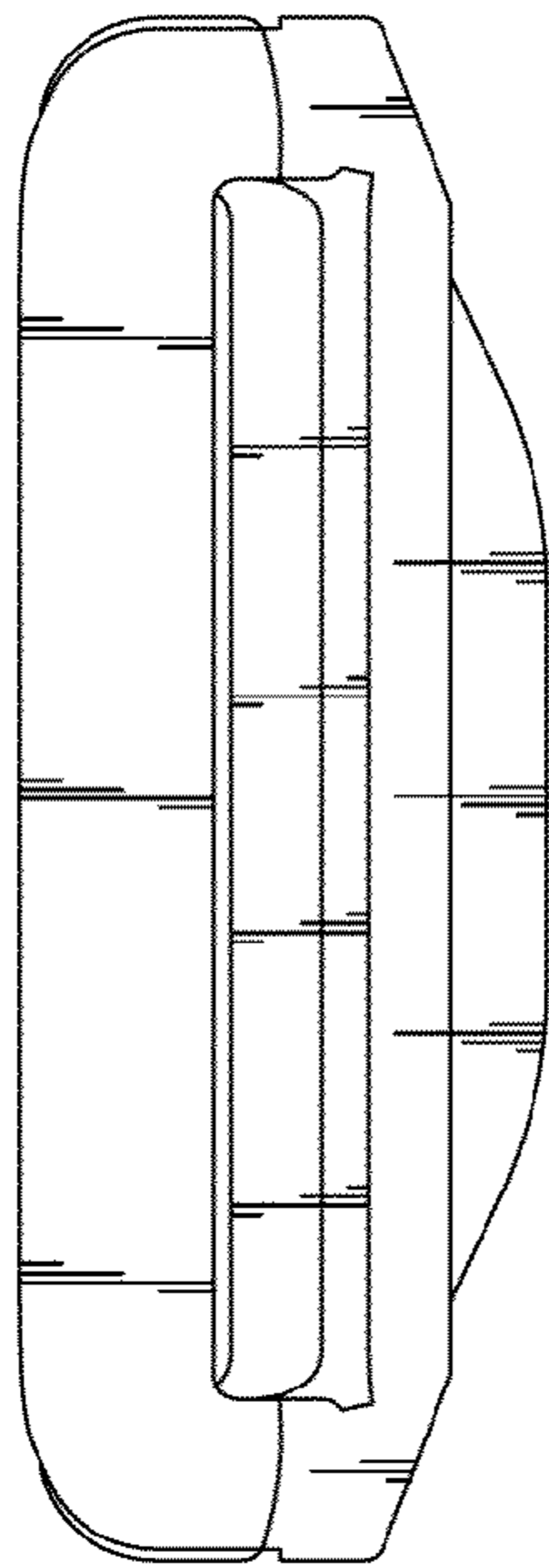


FIG.5

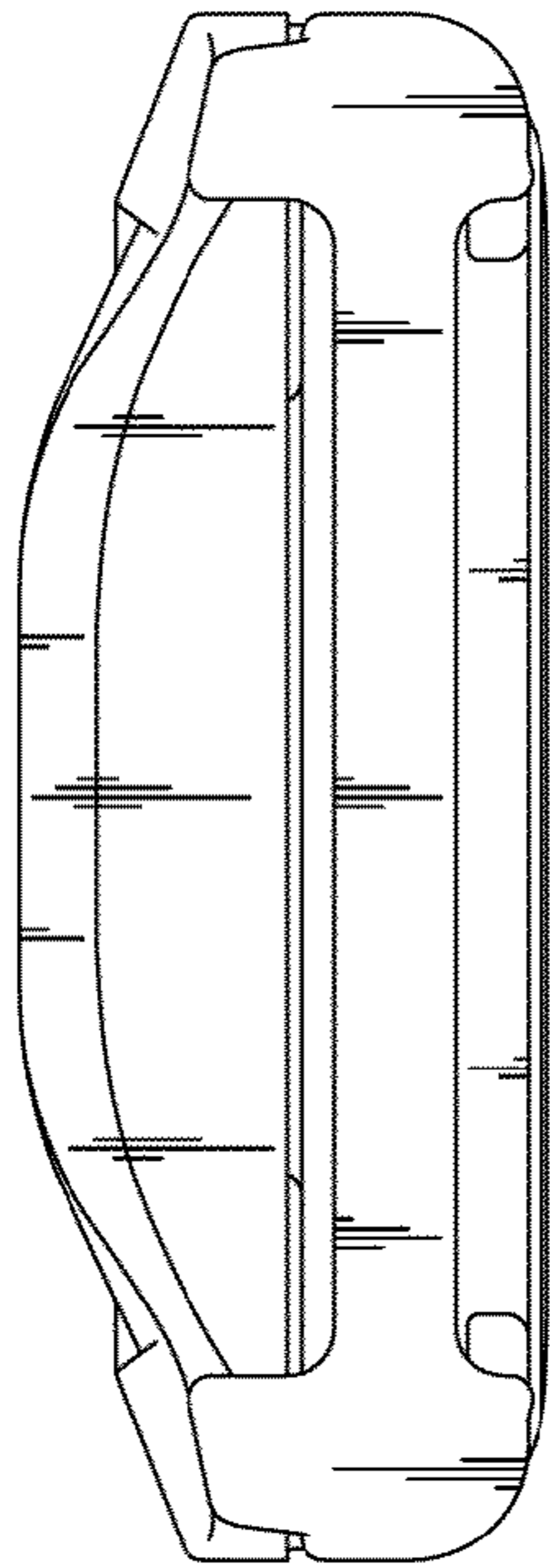


FIG.6

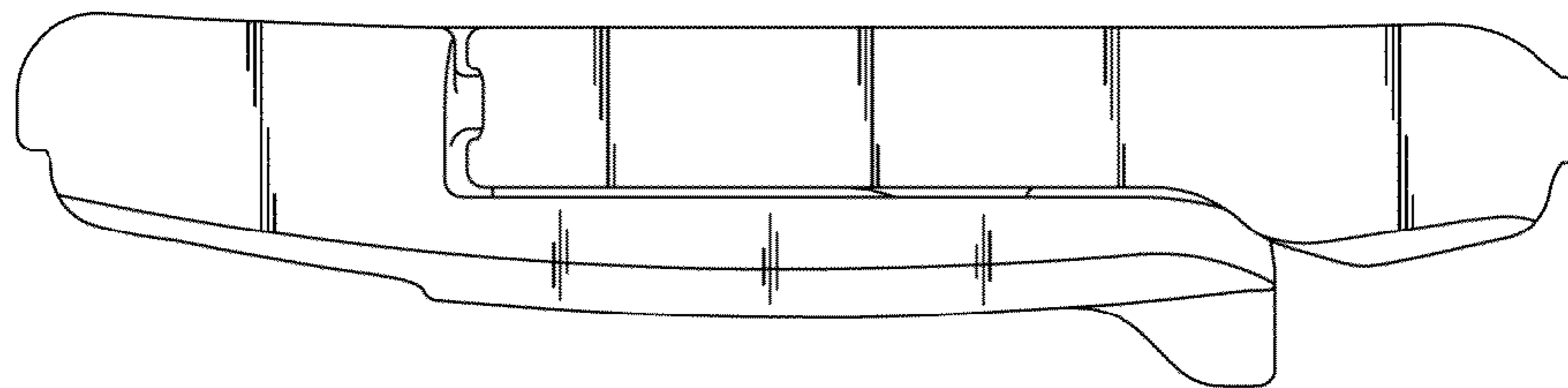


FIG.7

