



US00D714677S

(12) **United States Design Patent**
Zoon

(10) **Patent No.:** **US D714,677 S**

(45) **Date of Patent:** **** Oct. 7, 2014**

(54) **PENDANT**

(71) Applicant: **Johannes Zoon**, Maasbree (NL)

(72) Inventor: **Johannes Zoon**, Maasbree (NL)

(**) Term: **14 Years**

(21) Appl. No.: **29/473,941**

(22) Filed: **Nov. 27, 2013**

(30) **Foreign Application Priority Data**

Oct. 13, 2013 (BX) 85052-00

(51) **LOC (10) Cl.** **11-01**

(52) **U.S. Cl.**
USPC **D11/81; D11/1**

(58) **Field of Classification Search**
CPC A44C 7/00; A44C 1/00; A44C 3/00;
A44C 3/001; A44C 3/004; A44C 15/001;
A44C 15/005; A44C 15/0055; A44C 25/00;
A44C 25/001; A44C 25/007
USPC D11/1, 2, 7, 8, 40-45, 79-86, 91, 92,
D11/95, 99, 100, 101, 200, 201, 202, 204,
D11/209, 210, 211, 69, 75, 76, 77, 87, 96;
63/1.11, 12, 13, 18, 19, 20, 23, 26-28,
63/29.1, 29.2, 36; D2/624; 24/198, 200
See application file for complete search history.

(56) **References Cited**

U.S. PATENT DOCUMENTS

2,008,005 A * 7/1935 Chilson 63/23
D157,313 S * 2/1950 Zweig D11/81
2,983,007 A * 5/1961 Gross 24/200
D216,645 S * 2/1970 Wagner D11/81
D251,717 S * 5/1979 Graves D11/103
D283,807 S * 5/1986 Dobbins D11/79

D301,558 S * 6/1989 Fontana D10/126
D392,919 S * 3/1998 Butler D11/202
D469,375 S * 1/2003 Cohen D11/81
D580,600 S * 11/2008 Garcia D29/122
D583,271 S * 12/2008 Niemeier D11/7
D604,658 S * 11/2009 Castaline et al. D11/79
D632,603 S * 2/2011 Krakoff D11/1
D652,767 S * 1/2012 Dunn D11/184
D665,696 S * 8/2012 Schmidt D11/81

OTHER PUBLICATIONS

[Online] "White Gold Basketbal Pendant" <https://stevenash.org/make-an-assist/store/roberto-coin-collection/white-gold-basketball-pendant>. Retrieved Aug. 6, 2014.*
[Online] <https://www.facebook.com/LSasada/photos/pb.685379098162100.-2207520000.1406745891./810184962348179/?type=3&theater>. Retrieved Aug. 6, 2014.*

* cited by examiner

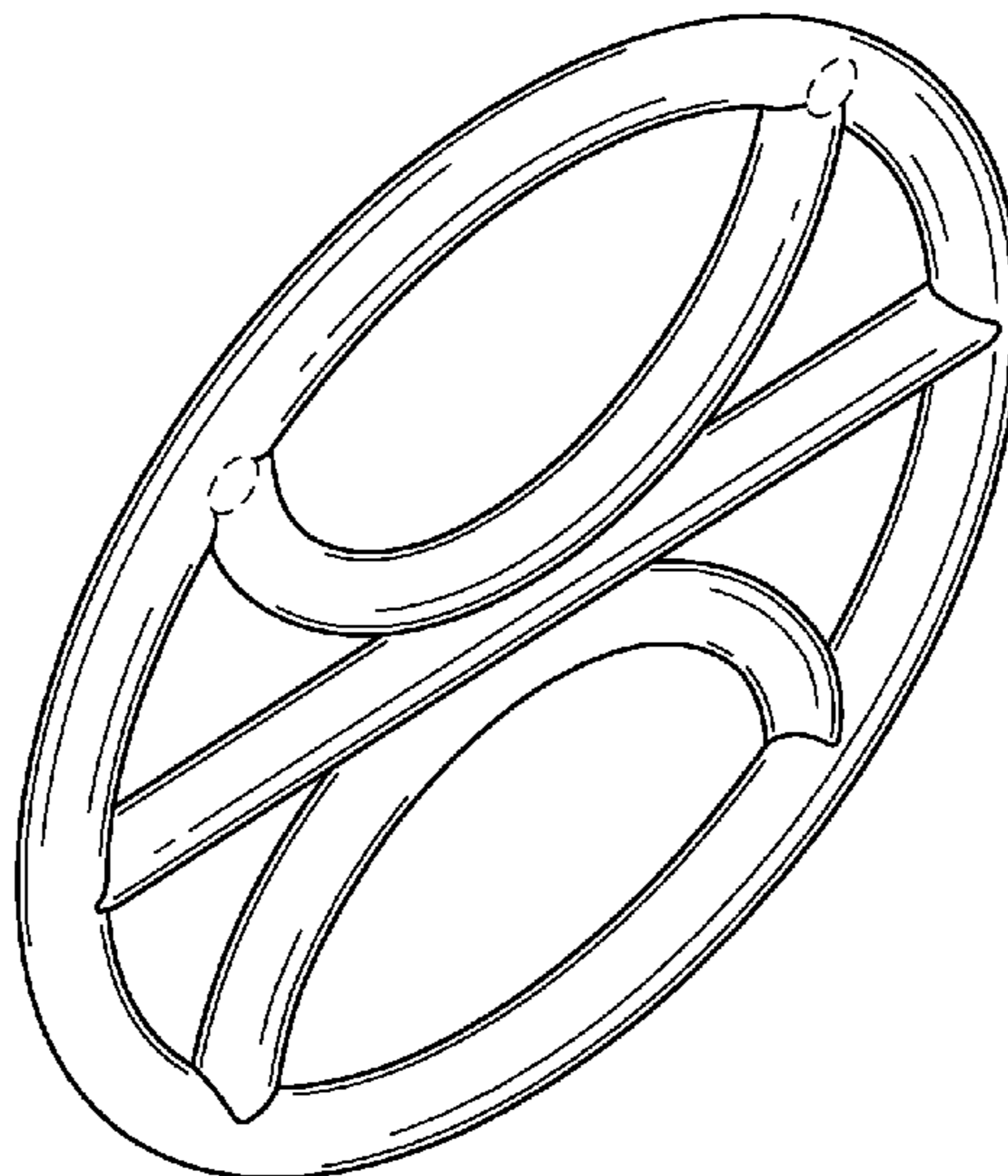
Primary Examiner — Garth Rademaker
Assistant Examiner — Melanie Pellegrini
(74) *Attorney, Agent, or Firm* — Justin Lampel

(57) **CLAIM**
The ornamental design for a pendant, as shown and described.

DESCRIPTION

FIG. 1 is a front perspective view of a pendant showing my new design;
FIG. 2 is a front plan view of the pendant;
FIG. 3 is a back plan view of the pendant;
FIG. 4 is a side view of the pendant;
FIG. 5 is an opposite side view of the pendant;
FIG. 6 is a top view of the pendant; and,
FIG. 7 is a bottom view of the pendant.
The broken lines shown in the drawings represent portions of the pendant which form no part of the claimed design.

1 Claim, 3 Drawing Sheets



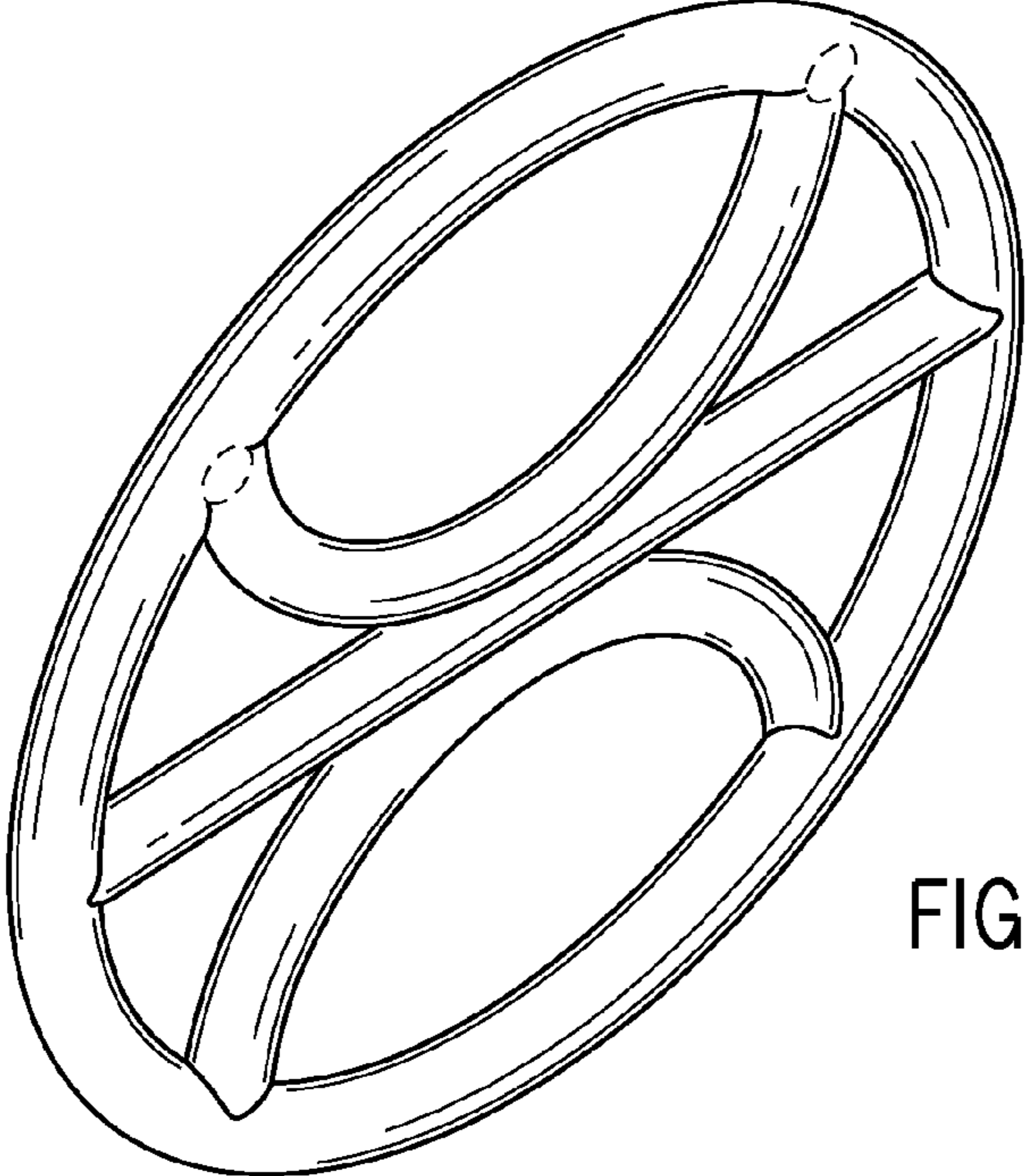


FIG. 1

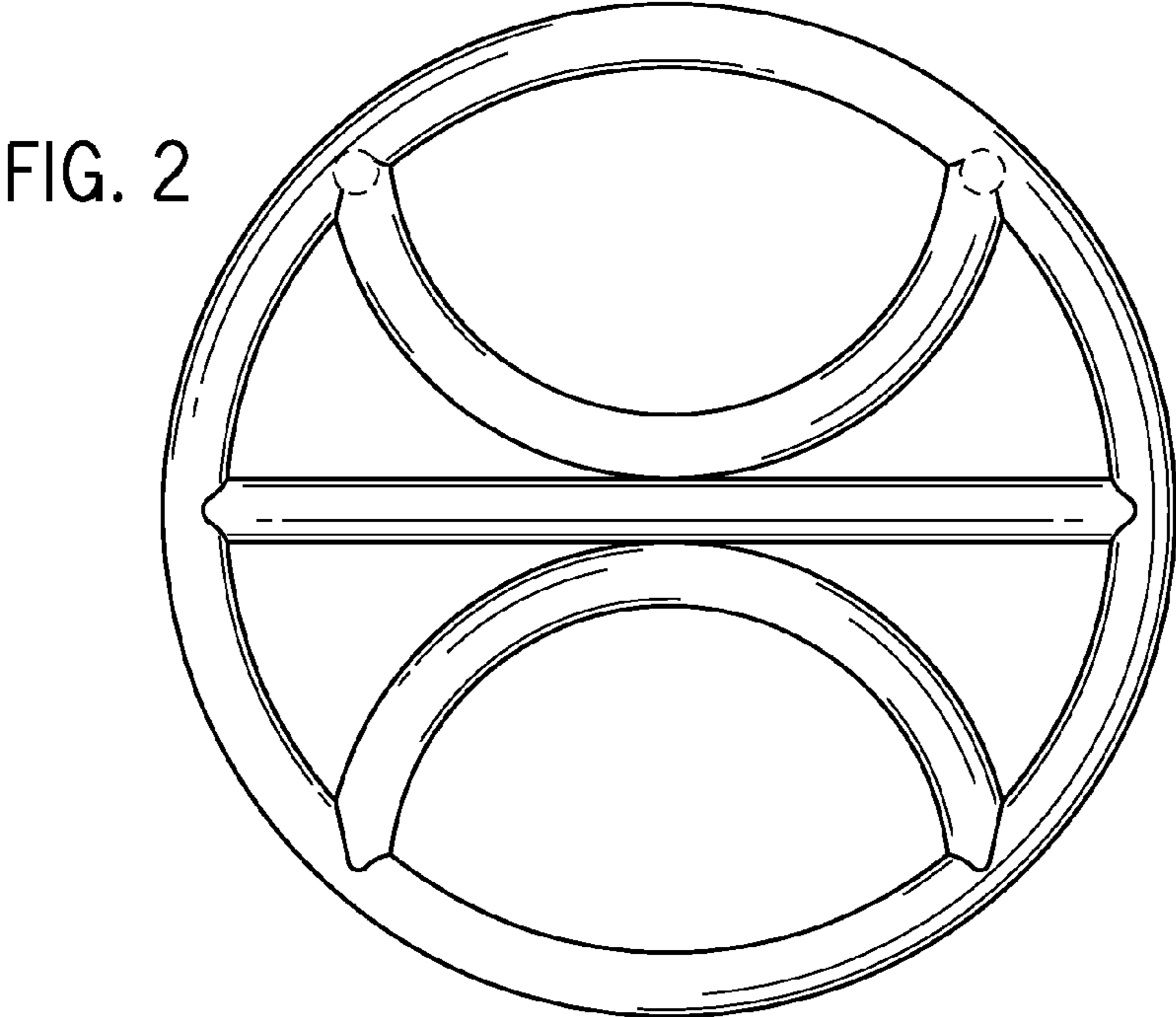


FIG. 2

FIG. 3

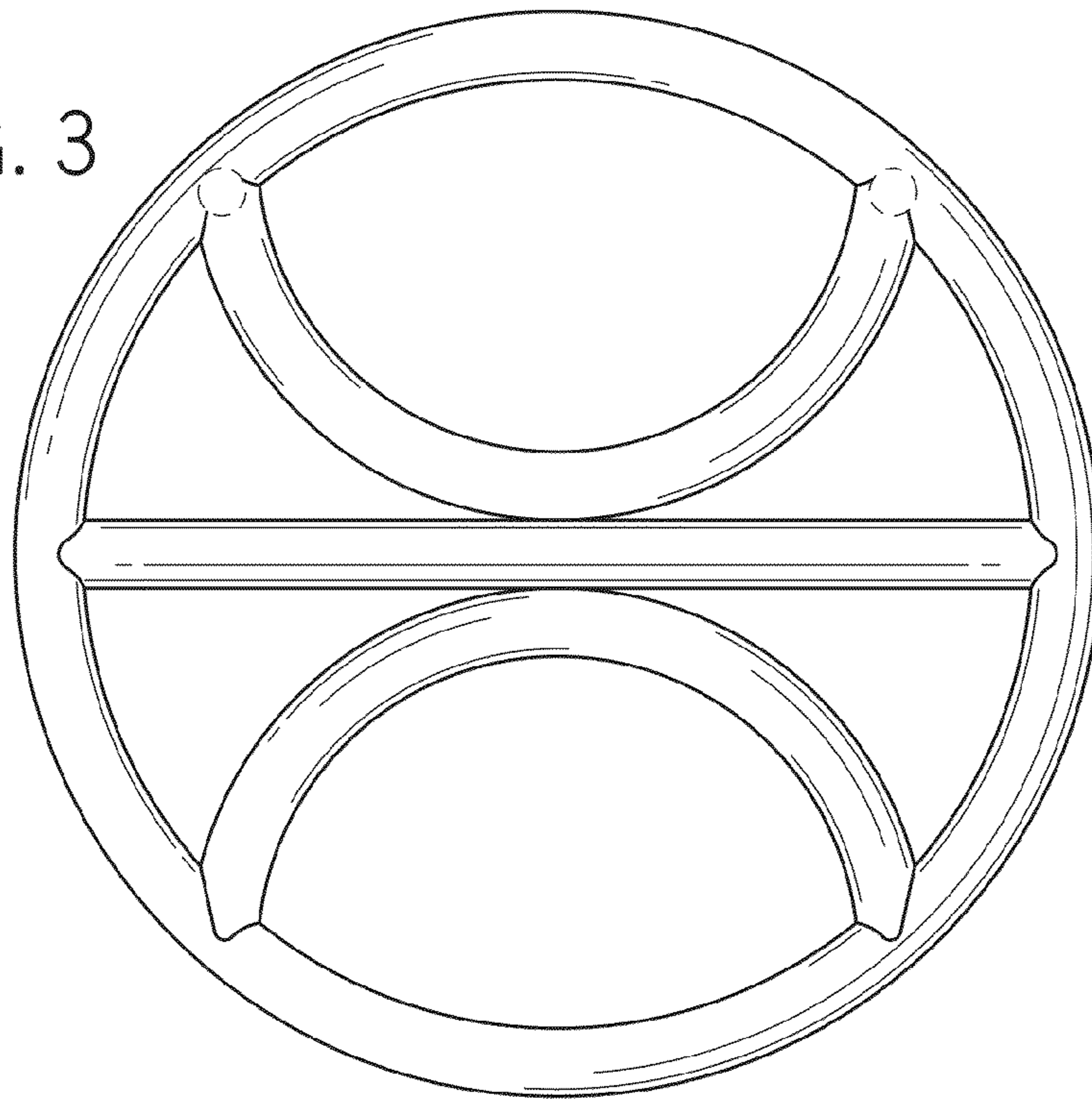


FIG. 4



FIG. 5





FIG. 6



FIG. 7