



US00D714675S

(12) **United States Design Patent**
Rosenberg-Pineau

(10) **Patent No.:** **US D714,675 S**

(45) **Date of Patent:** **** Oct. 7, 2014**

(54) **JEWELRY**

D687,737 S * 8/2013 Japel D11/96
D688,152 S * 8/2013 Kala D11/79
D696,152 S * 12/2013 Kala D11/79

(71) Applicant: **SBRE LLC**, New York, NY (US)

(72) Inventor: **Katherine Rosenberg-Pineau**,
Wellesley, MA (US)

(73) Assignee: **SBRE LLC**, New York, NY (US)

(**) Term: **14 Years**

(21) Appl. No.: **29/452,792**

(22) Filed: **Apr. 22, 2013**

(51) **LOC (10) Cl.** **11-01**

(52) **U.S. Cl.**
USPC **D11/79**

(58) **Field of Classification Search**
USPC D11/79-86, 91, 92, 40-43, 1, 2, 7, 8,
D11/66; 63/1.11, 1.14, 1.15, 18-20, 26-28,
63/DIG. 2, 12, 13

See application file for complete search history.

(56) **References Cited**

U.S. PATENT DOCUMENTS

D164,954 S *	10/1951	Philippe	D11/77
4,724,684 A *	2/1988	Barnett	63/14.1
D470,075 S *	2/2003	Carmel	D11/65
D604,660 S *	11/2009	Marks	D11/83
D607,364 S *	1/2010	Marks	D11/40
D621,739 S *	8/2010	Marks	D11/79
D624,842 S *	10/2010	Marks	D11/26
D635,049 S *	3/2011	Marks	D11/79
D639,695 S *	6/2011	Nudelman	D11/56
D649,903 S *	12/2011	Marks	D11/79

OTHER PUBLICATIONS

[Online] Diamond Jewelry. <http://www.groupon.com/pages/gg-diamond-necklaces-earrings>. Retrieved Jun. 9, 2014.*

[Online] Love's Embrace Necklace. <http://www.kayoutlet.com/en/kayoutletstore/diamond-necklace-1-4-carat-round-cut-10k-white-gold>. Retrieved Jun. 9, 2014.*

[Online] Love's Embrace. <http://www.lovesembracediamondjewelry.com/necklacesdetail.aspx?product=necklaces-48>. Retrieved Jun. 9, 2014.*

* cited by examiner

Primary Examiner — Garth Rademaker

Assistant Examiner — Melanie Pellegrini

(74) *Attorney, Agent, or Firm* — Pearl Cohen Zedek Latzer Baratz LLP

(57) **CLAIM**

The ornamental design for jewelry, as shown and described.

DESCRIPTION

FIG. 1 is a top front and right side perspective view of jewelry showing my new design;

FIG. 2 is a front elevational view thereof;

FIG. 3 is a back elevational view thereof;

FIG. 4 is a right side elevational view thereof;

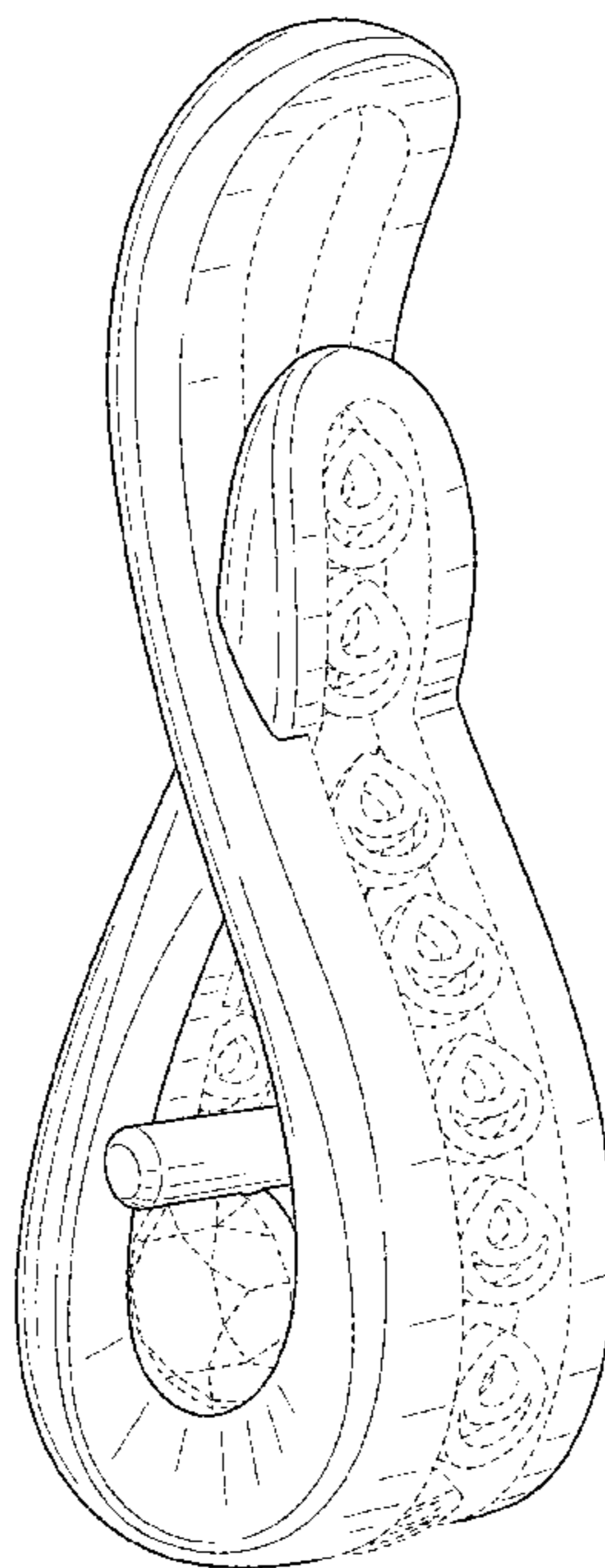
FIG. 5 is a left side elevational view thereof;

FIG. 6 is a top plan view thereof; and,

FIG. 7 is a bottom plan view thereof.

The broken lines shown in the drawings represent portions of the jewelry which form no part of the claimed design.

1 Claim, 3 Drawing Sheets



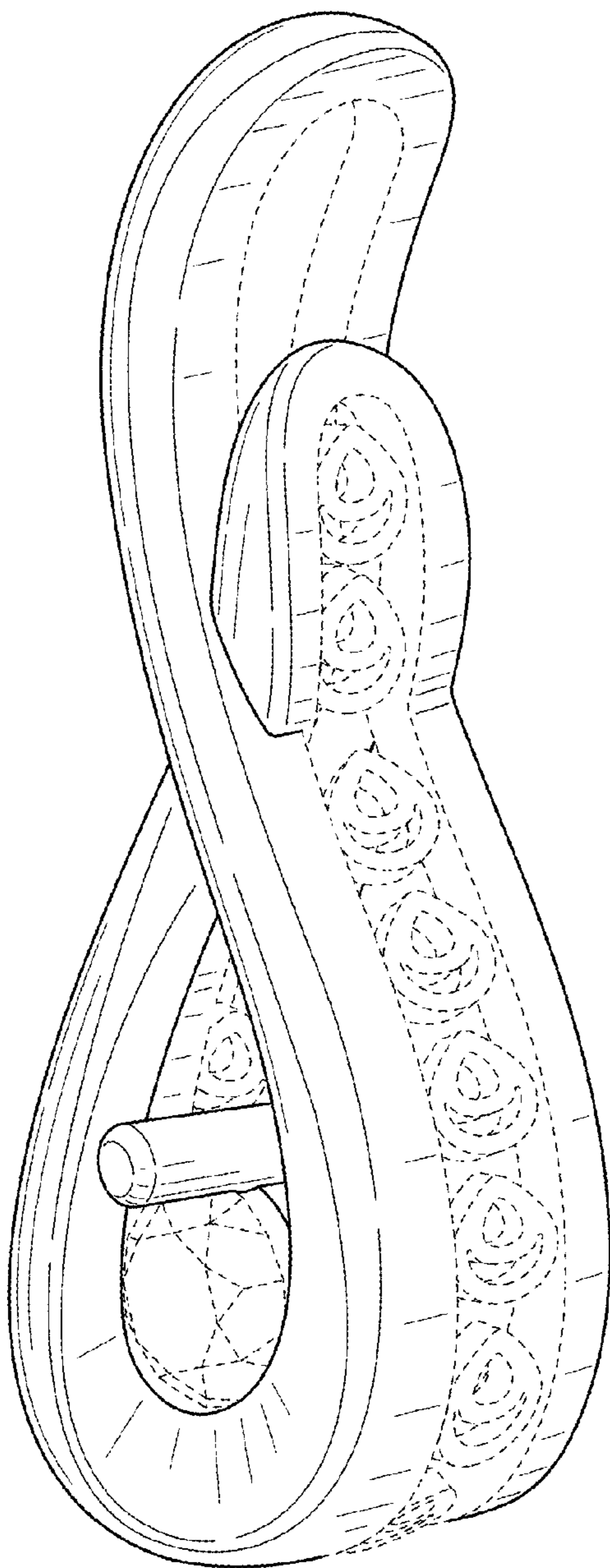


FIG. 1

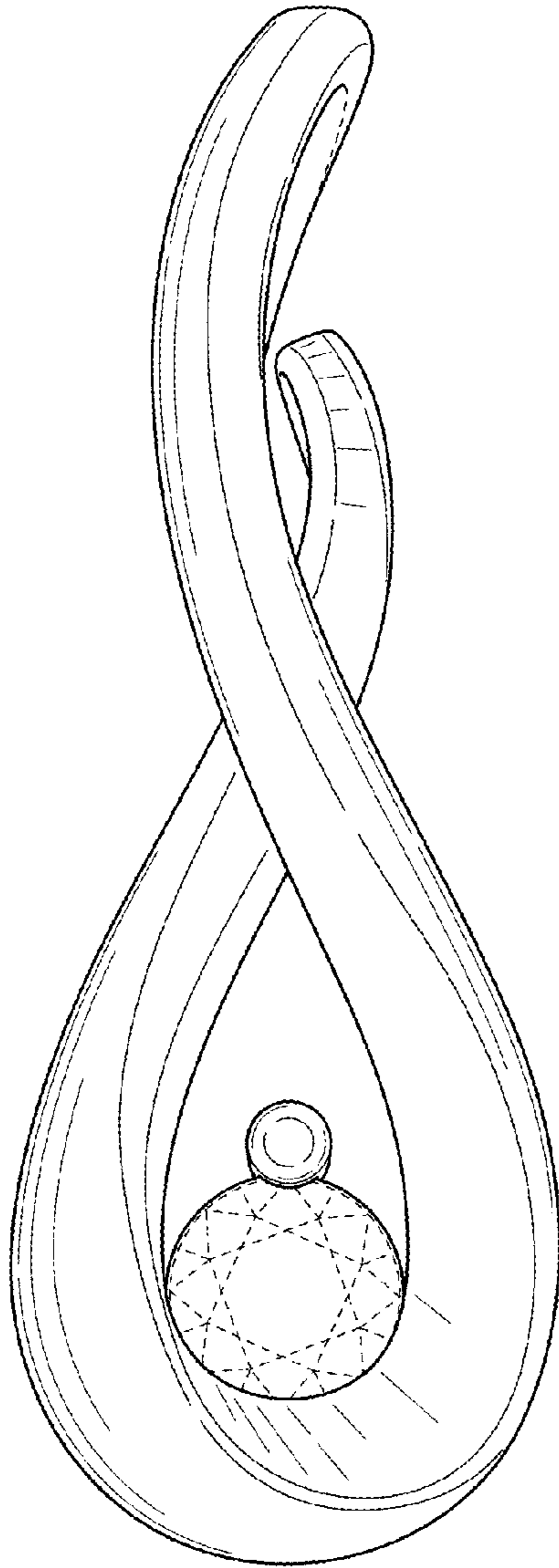


FIG. 2

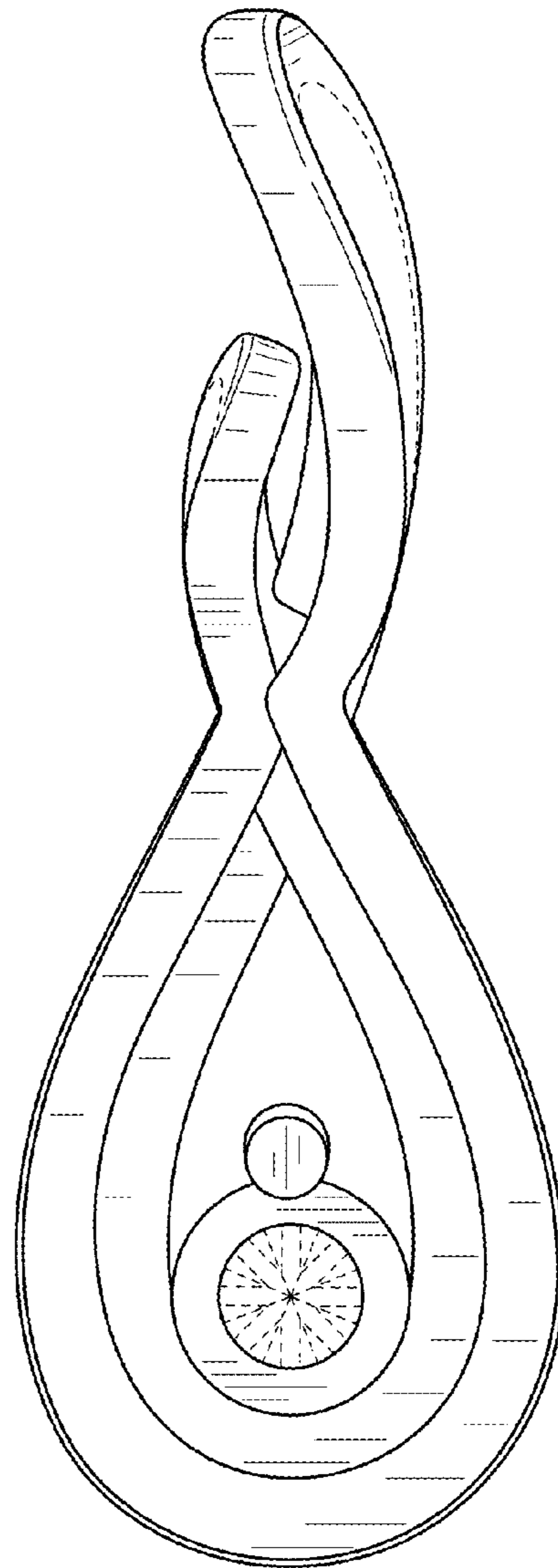


FIG. 3

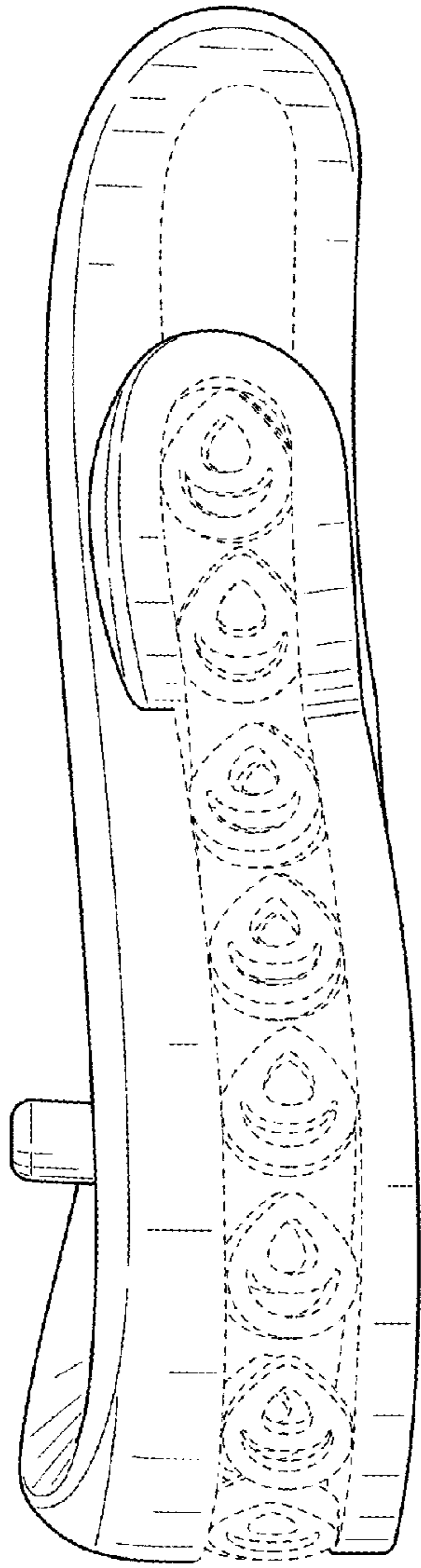


FIG. 4

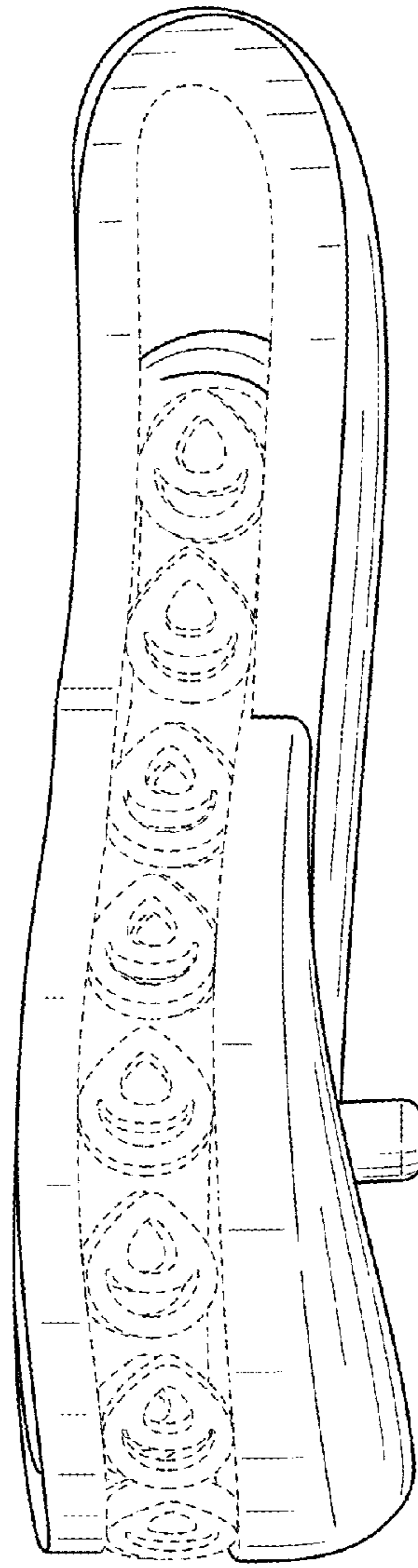


FIG. 5

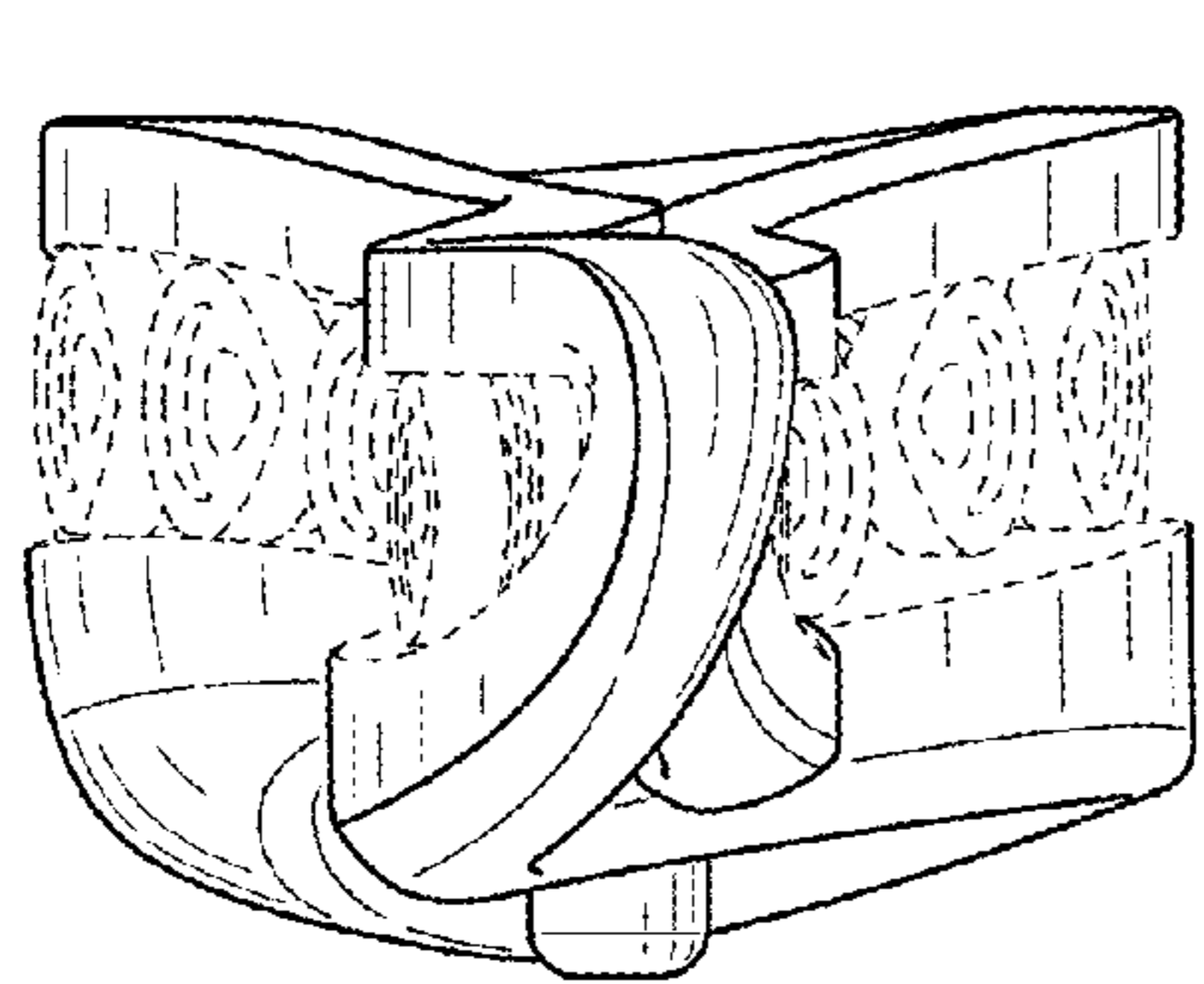


FIG. 6

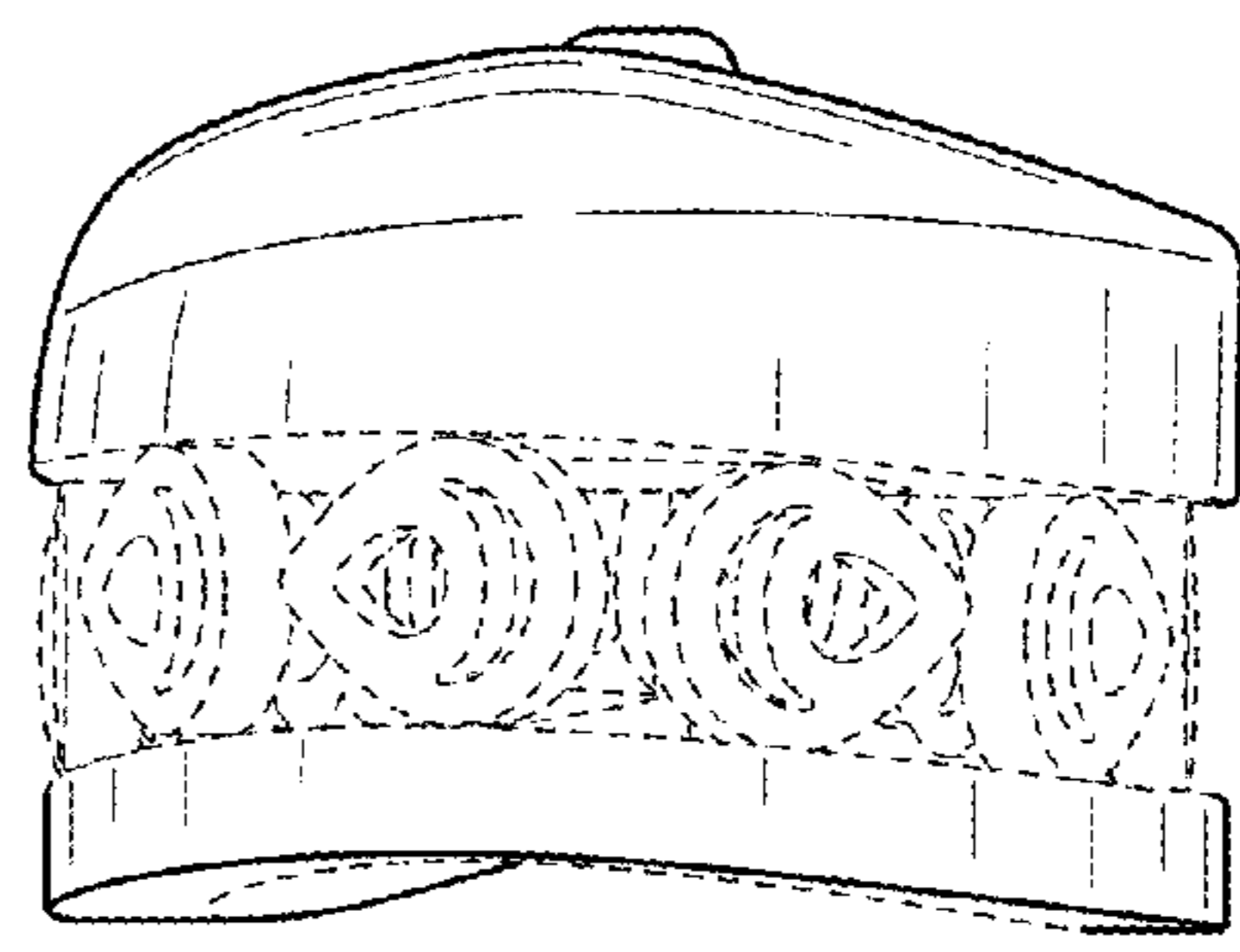


FIG. 7