



US00D714670S

(12) **United States Design Patent**
Wu et al.

(10) **Patent No.:** **US D714,670 S**
(45) **Date of Patent:** **** Oct. 7, 2014**

(54) **SECURITY TAG**

(71) Applicant: **Checkpoint Systems, Inc.**, Thorofare, NJ (US)

(72) Inventors: **Wei Wu**, Shanghai (CN); **Yong Qiao**, Shanghai (CN); **Gary T. Mazoki**, Sewell, NJ (US)

(73) Assignee: **Checkpoint Systems, Inc.**, Thorofare, NJ (US)

(**) Term: **14 Years**

(21) Appl. No.: **29/469,047**

(22) Filed: **Oct. 7, 2013**

Related U.S. Application Data

(62) Division of application No. 29/458,650, filed on Jun. 21, 2013, now Pat. No. Des. 696,600.

(51) **LOC (10) Cl.** **10-05**

(52) **U.S. Cl.**
USPC **D10/106.9**

(58) **Field of Classification Search**
None

See application file for complete search history.

(56) **References Cited**

U.S. PATENT DOCUMENTS

D466,426 S *	12/2002	Proulx et al.	D10/106.91
D478,829 S *	8/2003	Yang et al.	D10/106.9
D503,900 S *	4/2005	Sayegh	D10/106.94
D624,447 S *	9/2010	Yang	D10/106.91

* cited by examiner

Primary Examiner — George D Kirschbaum

(74) *Attorney, Agent, or Firm* — Richard A. Howe, II

(57) **CLAIM**

The ornamental design for a security tag, as shown and described.

DESCRIPTION

FIG. 1 is a perspective view of a security tag according to one embodiment;

FIG. 2 is a reverse perspective view thereof;

FIG. 3 is a top view thereof;

FIG. 4 is a bottom view thereof;

FIG. 5 is a right view thereof;

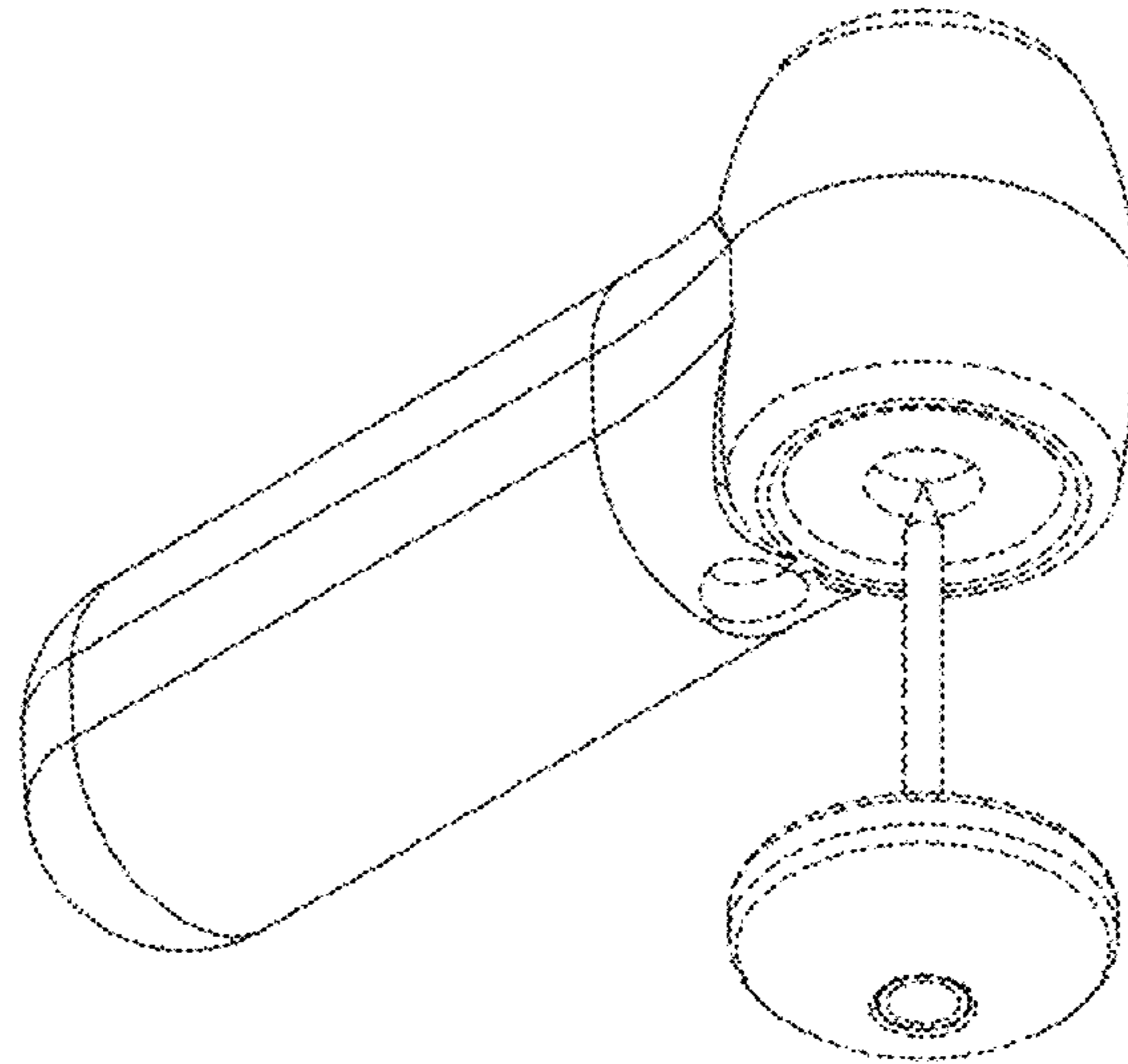
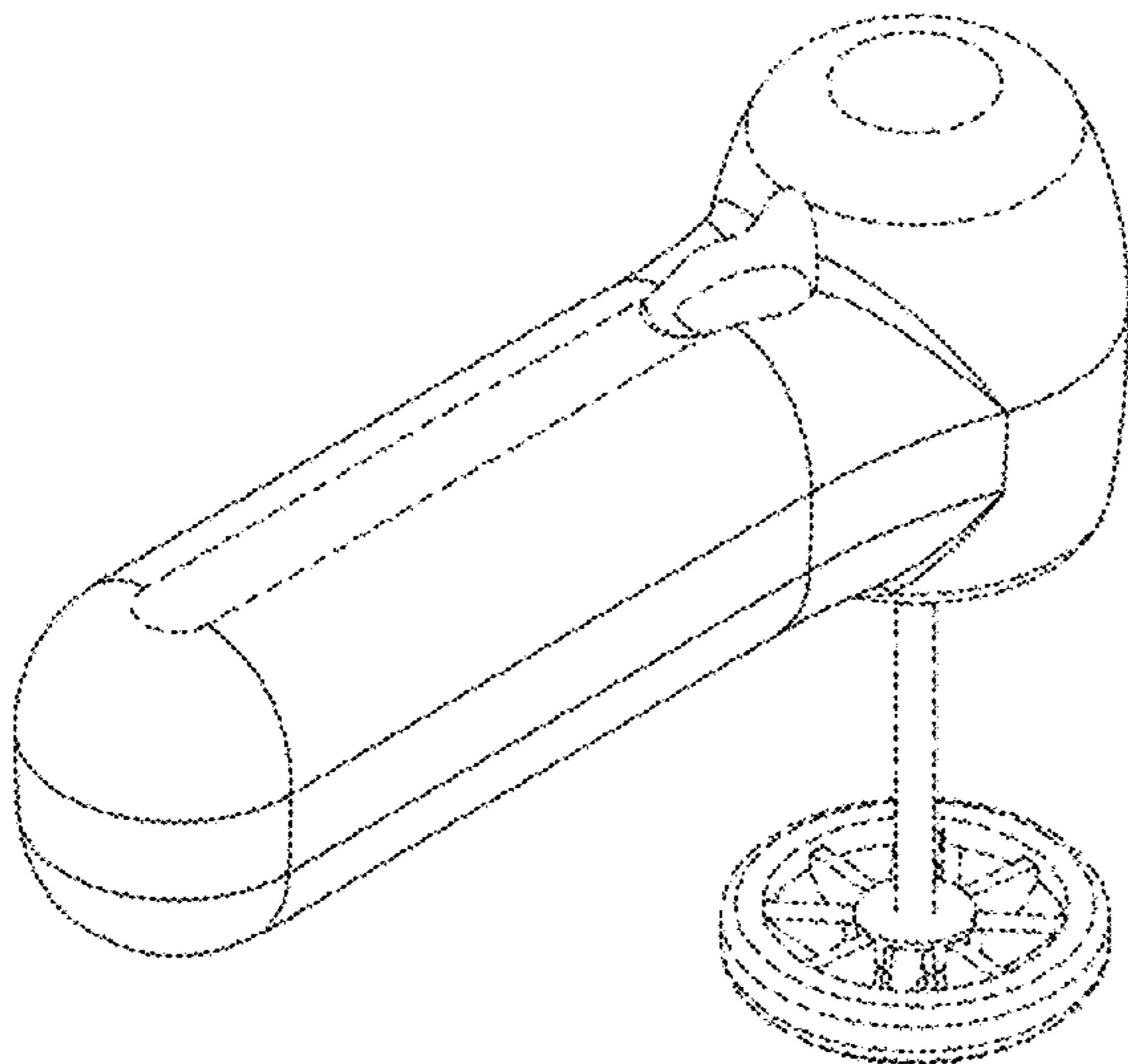
FIG. 6 is a left view thereof;

FIG. 7 is a front view thereof; and,

FIG. 8 is a rear view thereof.

The dotted lines of equal length illustrate the environment and form no part of the claimed design.

1 Claim, 8 Drawing Sheets



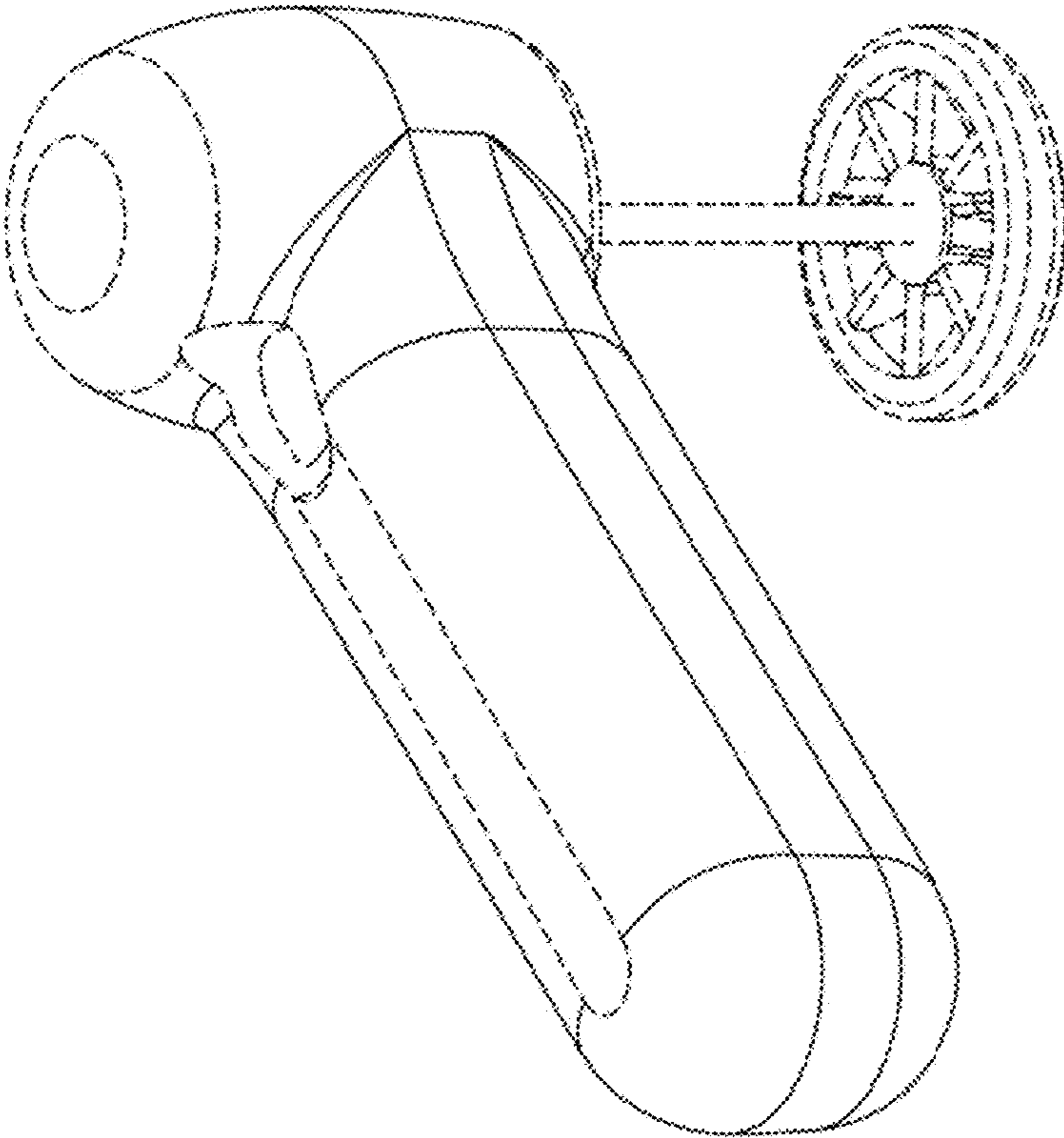


FIG. 1

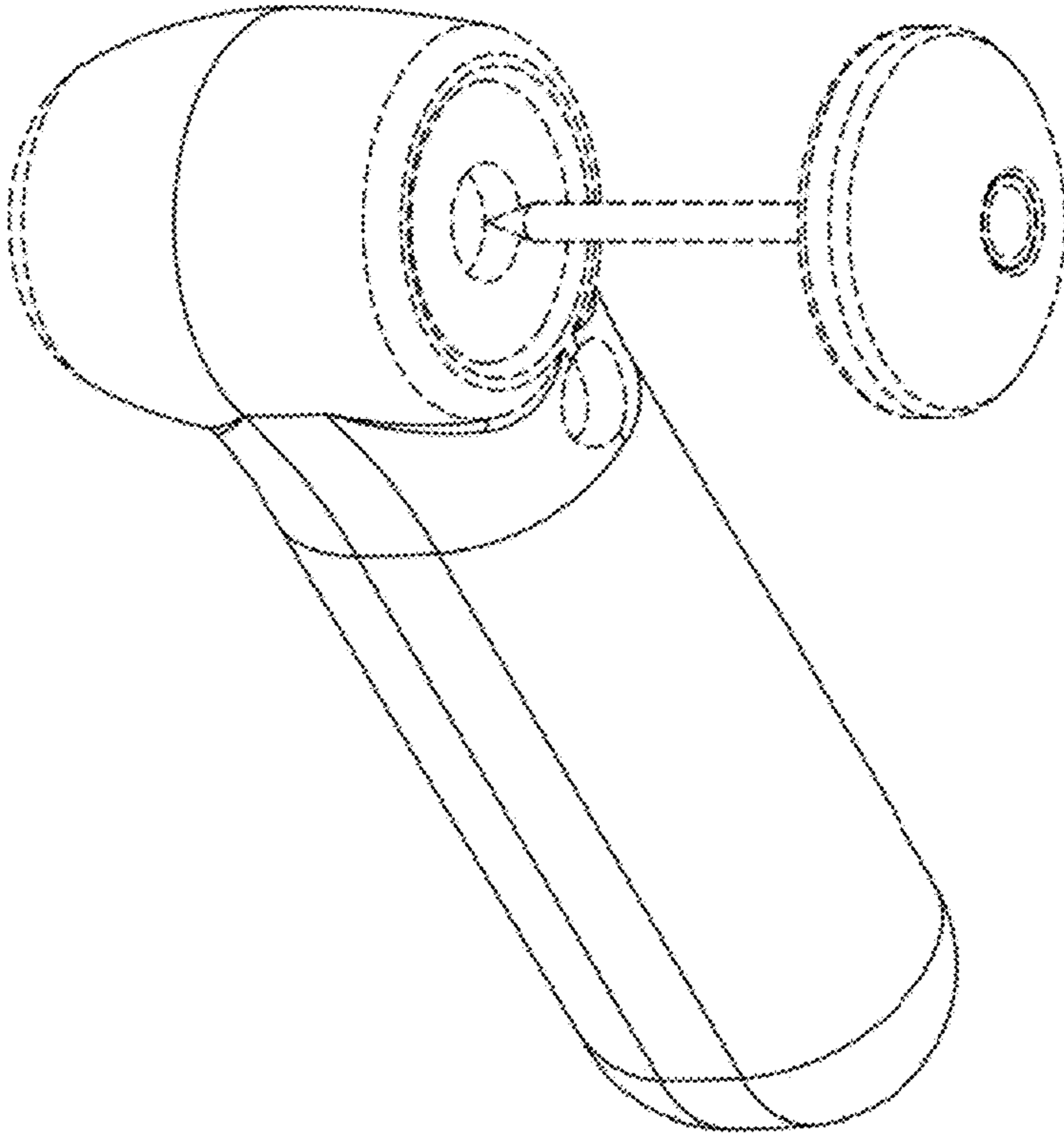


FIG. 2

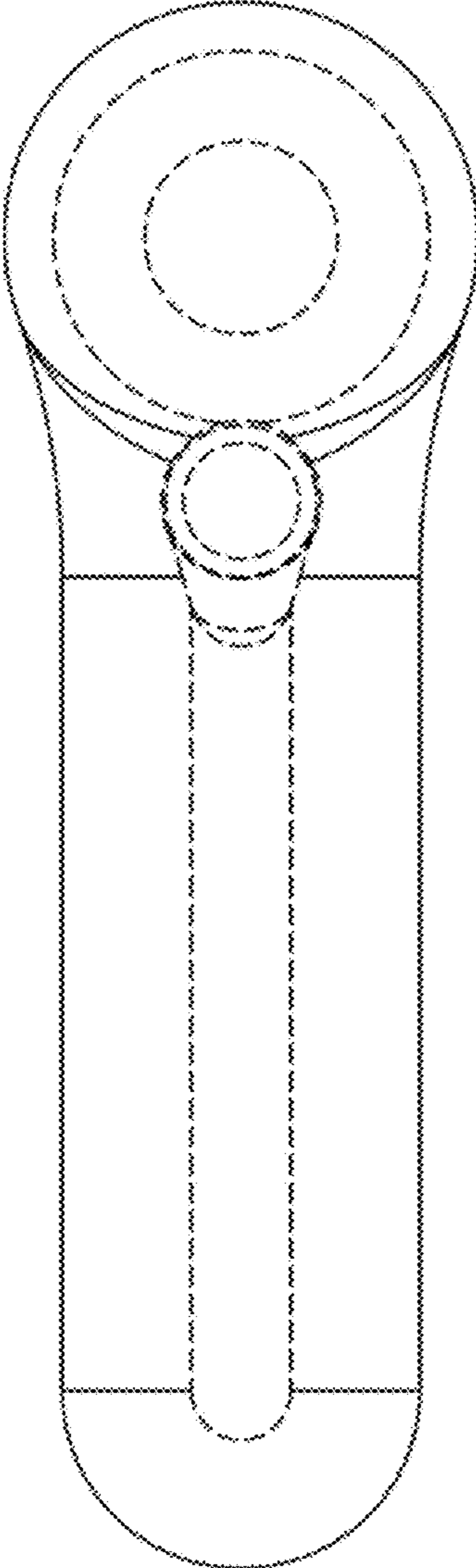


FIG. 3

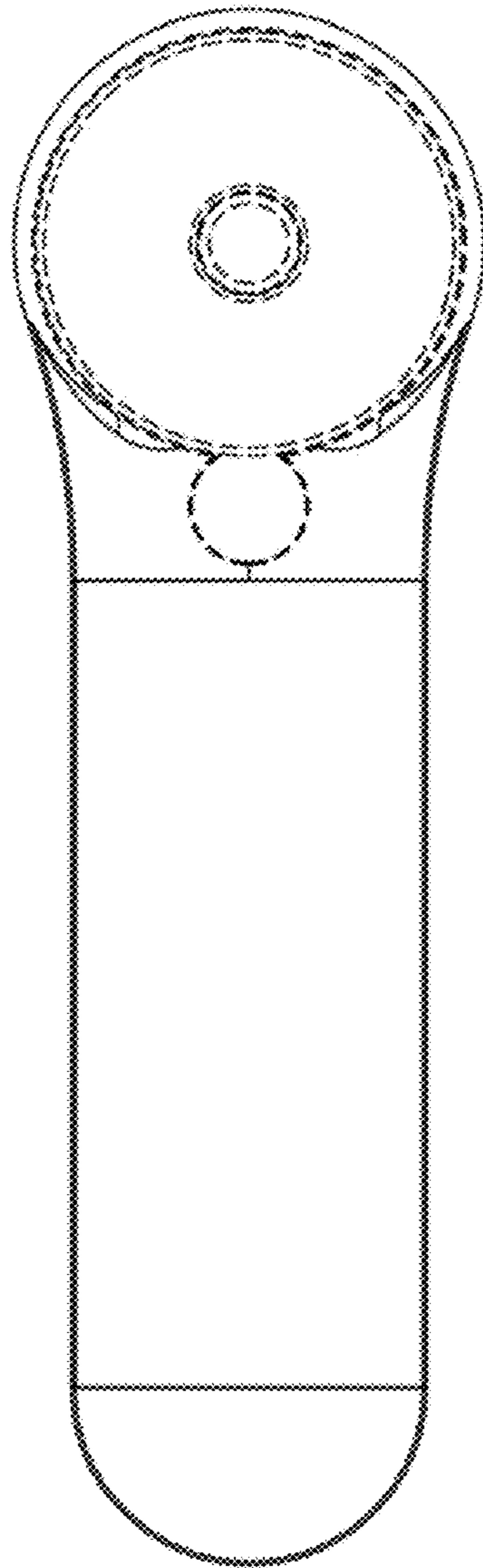


FIG. 4

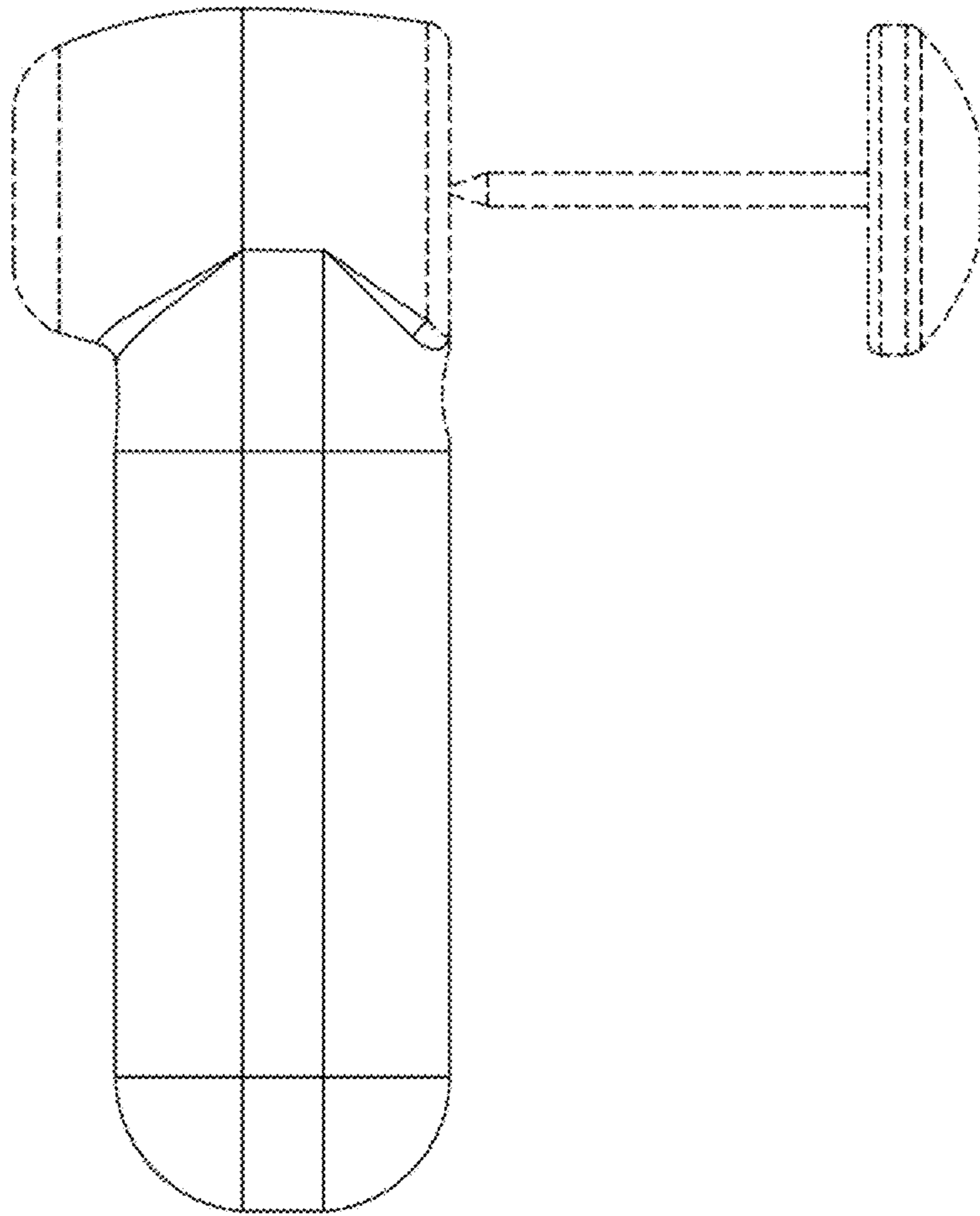


FIG. 5

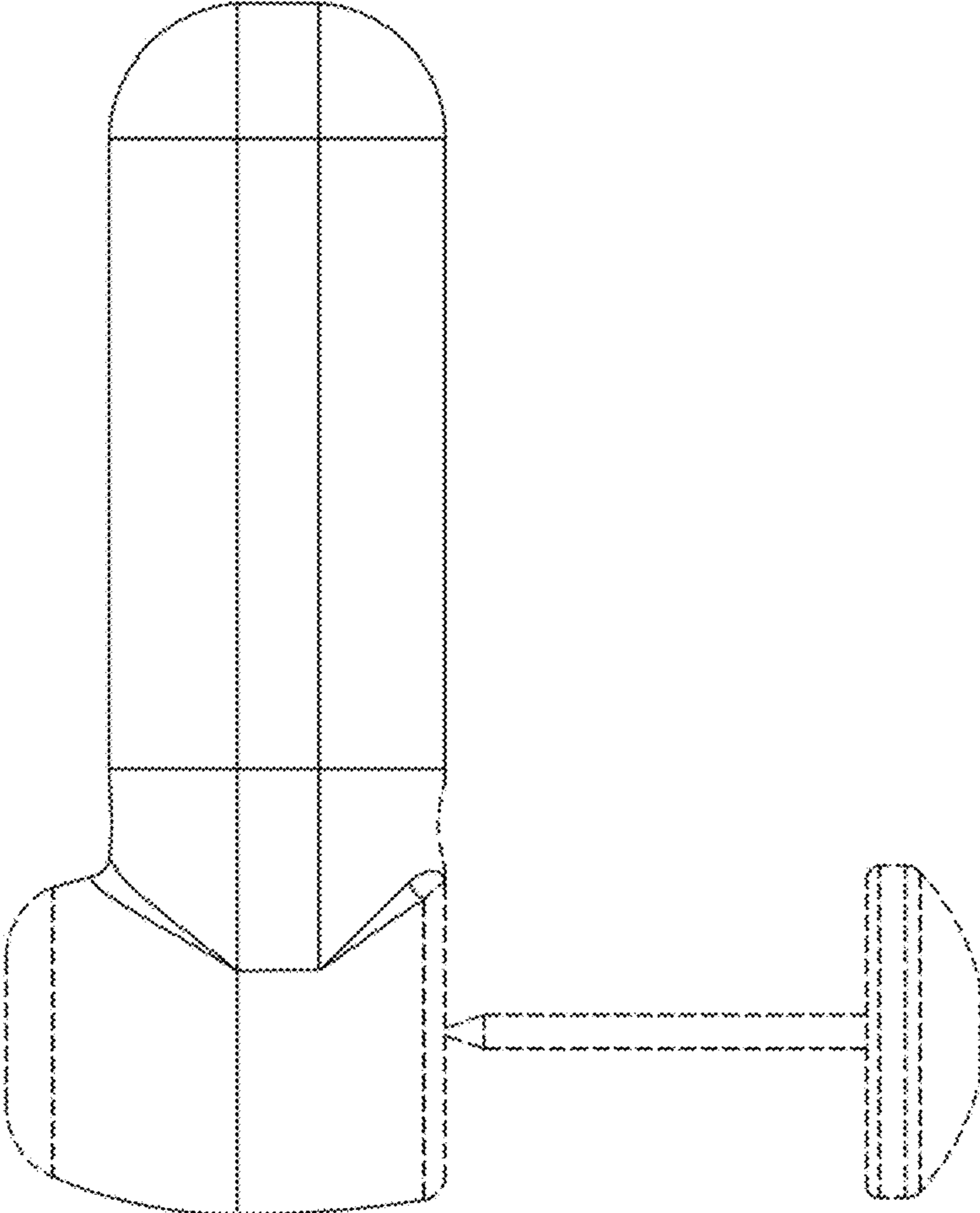


FIG. 6

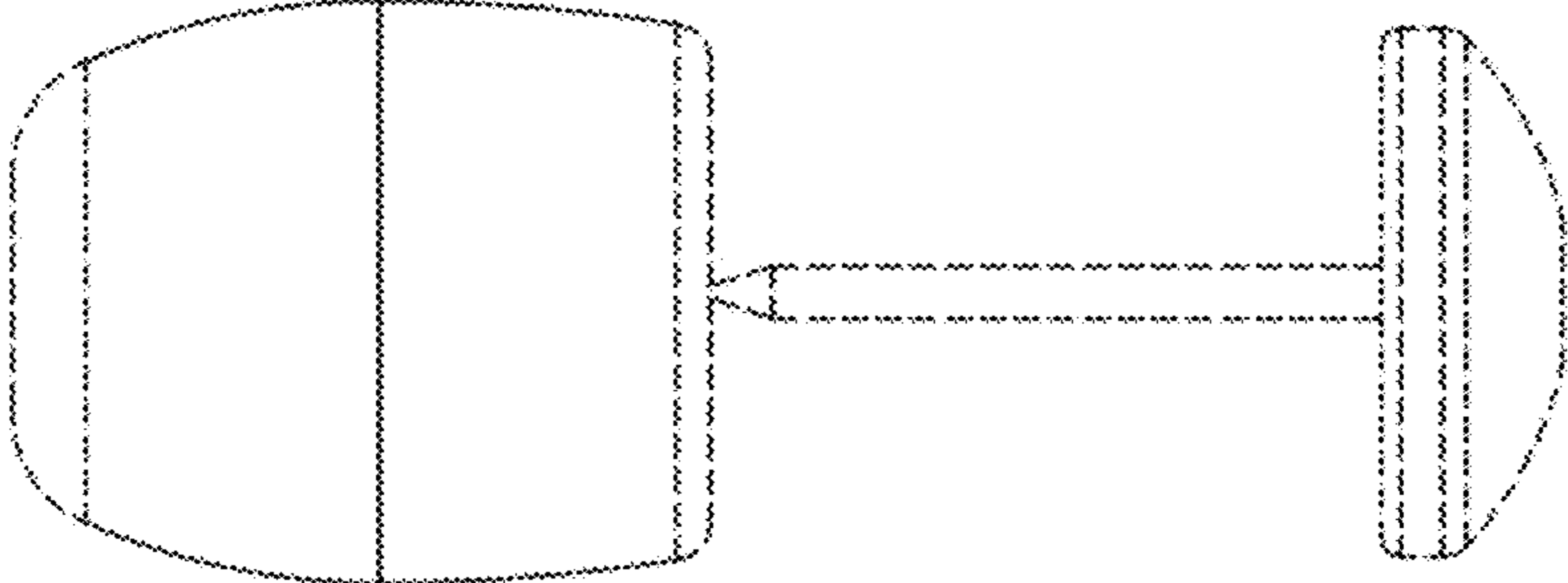


FIG. 7

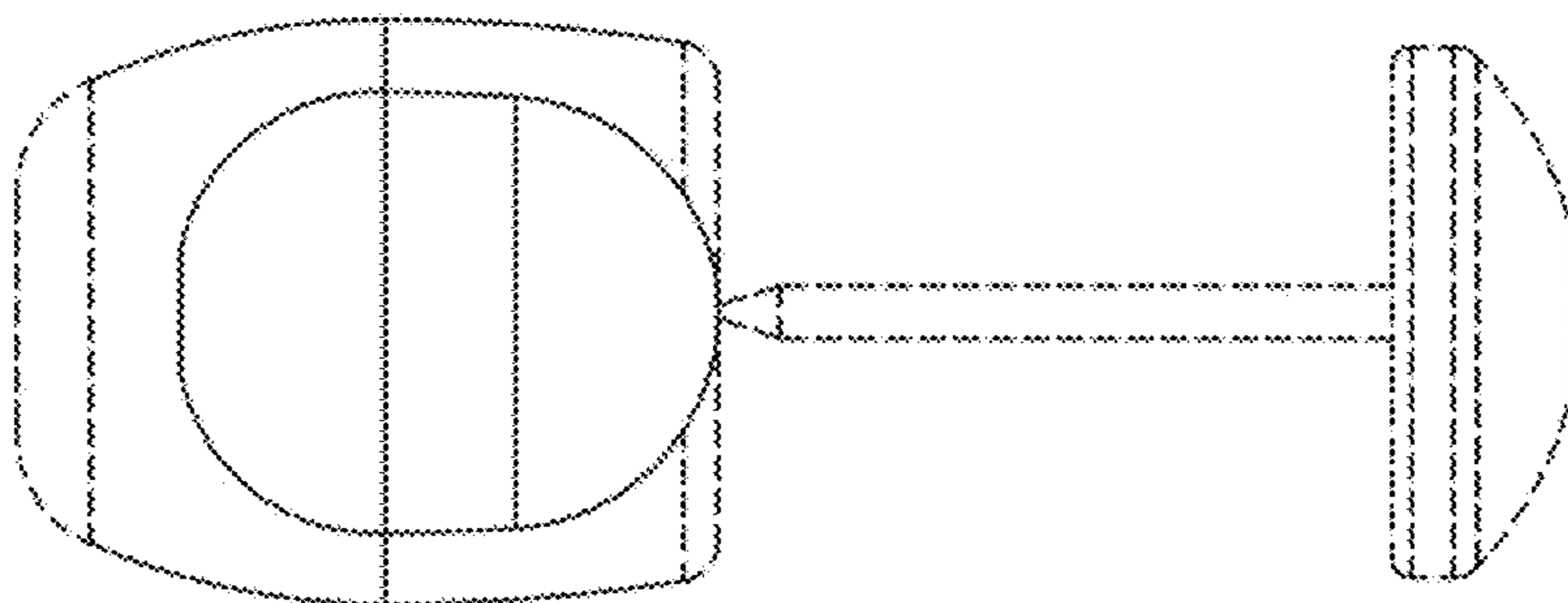


FIG. 8