



US00D714662S

(12) **United States Design Patent**
Mille

(10) **Patent No.:** **US D714,662 S**
(45) **Date of Patent:** **** Oct. 7, 2014**

(54) **WATCH**
(75) **Inventor:** **Richard Mille, Moulins (FR)**
(73) **Assignee:** **Turlen Holdings SA, Soyhieres (CH)**
(**) **Term:** **14 Years**
(21) **Appl. No.:** **29/423,904**
(22) **Filed:** **Jun. 6, 2012**

D624,439 S * 9/2010 Wunderman D10/32
7,794,137 B2 * 9/2010 Golay et al. 368/127
D640,572 S * 6/2011 Calce D10/32
8,038,340 B2 * 10/2011 Schneider 368/124
D658,514 S * 5/2012 Mille D10/39
D658,515 S * 5/2012 Mille D10/39
D658,516 S * 5/2012 Mille D10/39
D660,184 S * 5/2012 Calce D10/32
D661,602 S * 6/2012 Calce D10/32
D664,047 S * 7/2012 Mille D10/39
8,328,413 B2 * 12/2012 Lehot et al. 368/124
D673,868 S * 1/2013 Mille D10/39

(30) **Foreign Application Priority Data**

Dec. 6, 2011 (WO) DM/077 247

(51) **LOC (10) CL.** **10-02**

(52) **U.S. Cl.**
USPC **D10/39**

(58) **Field of Classification Search**
USPC D10/30-39, 122-132; 368/276, 281,
368/282, 285, 223, 228, 232, 80, 124, 125,
368/127, 132, 160, 161, 162, 169, 170
See application file for complete search history.

(56) **References Cited**

U.S. PATENT DOCUMENTS

167,872 A * 9/1875 Bourquin 368/132
340,854 A * 4/1886 Bingham 368/124
1,138,775 A * 5/1915 Myers 368/127
1,496,217 A * 6/1924 Gruen 368/169
2,832,191 A * 4/1958 Rawlings et al. 368/161
D266,909 S * 11/1982 Schwab et al. D10/39
4,534,660 A * 8/1985 Laesser 368/220
D438,473 S * 3/2001 Dumas D10/39
D456,274 S * 4/2002 Mille D10/30
6,520,674 B1 * 2/2003 Tokoro 368/127
7,016,265 B2 * 3/2006 Born et al. 368/163
D530,225 S * 10/2006 Wunderman D10/32
D530,229 S * 10/2006 Wunderman D10/32
D530,628 S * 10/2006 Raffy D10/32
D568,180 S * 5/2008 Laucella D10/39
D616,312 S * 5/2010 Ellia D10/39

OTHER PUBLICATIONS

Watches International VI, The Original Annual of the World's Finest Wristwatches, copyright 2005, Tourbillon International, LLC., p. 445, Richard Mille watch RM 009.*
U.S. Appl. No. 29/423,901, filed Jun. 6, 2012, First Named Inventor: Richard Mille.

* cited by examiner

Primary Examiner — Lucy Lieberman
(74) *Attorney, Agent, or Firm* — Donald J. Ranft; Collen IP

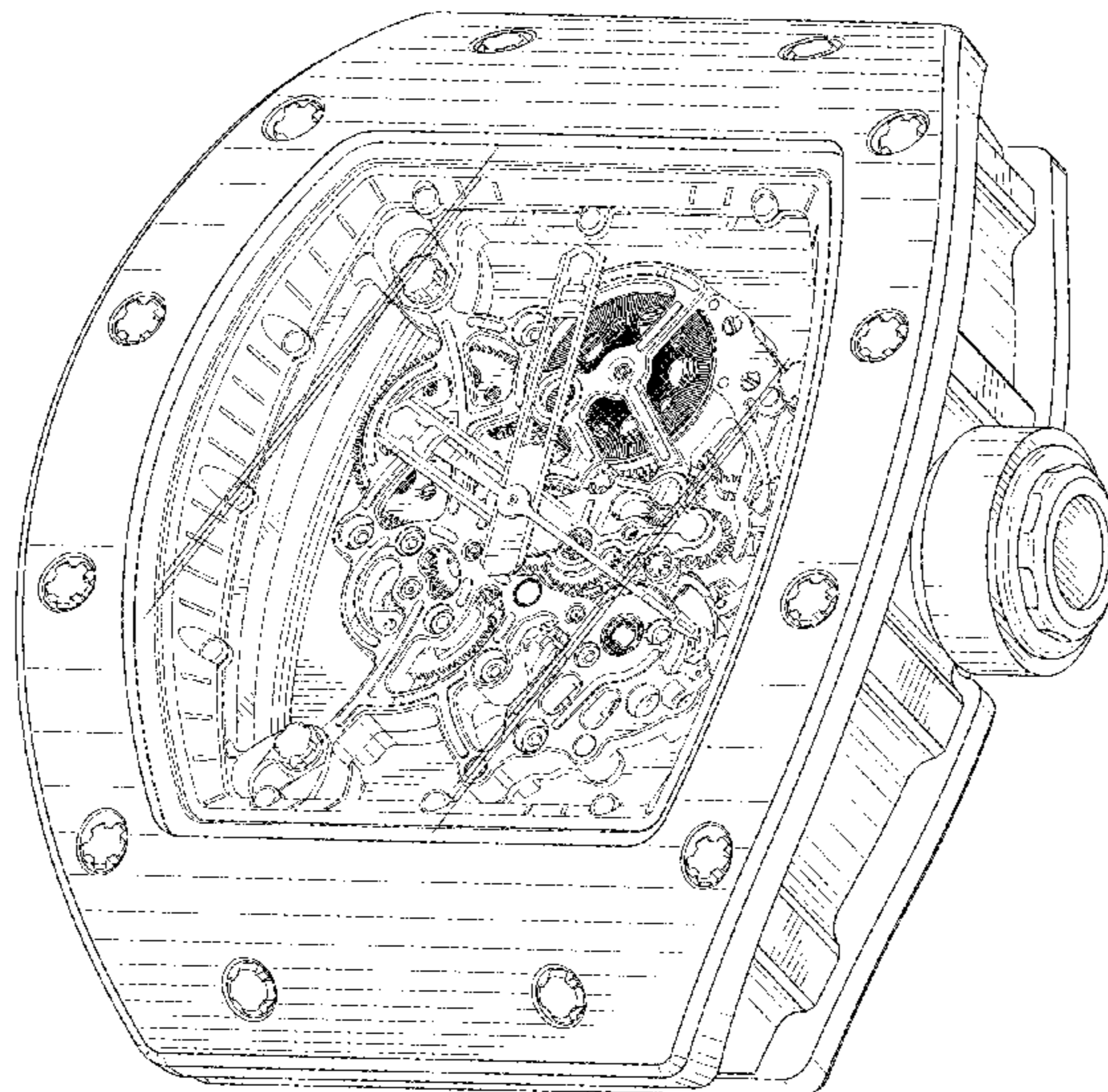
(57) **CLAIM**

The ornamental design for a watch, as shown and described.

DESCRIPTION

FIG. 1 is a front right perspective view of a watch showing my new design;
FIG. 2 is a rear left perspective view thereof;
FIG. 3 is a right side view thereof;
FIG. 4 is a left side view thereof;
FIG. 5 is a bottom view thereof;
FIG. 6 is a top view thereof;
FIG. 7 is a front view thereof; and,
FIG. 8 is a rear view thereof.
The broken lines are used in FIGS. 2, 5 and 6 to show portions of the watch that do not form part of the claimed design.

1 Claim, 6 Drawing Sheets



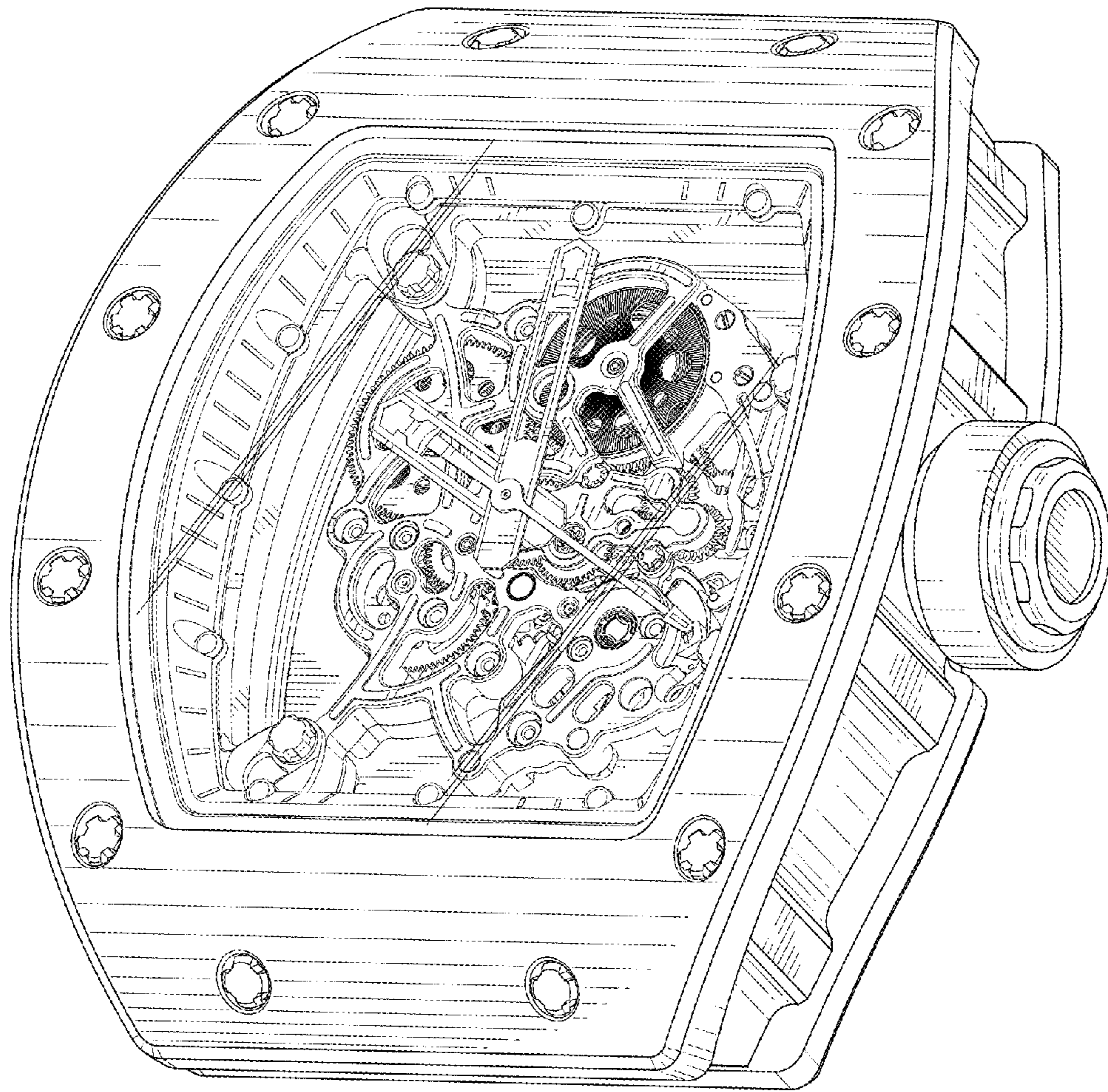


FIG. 1

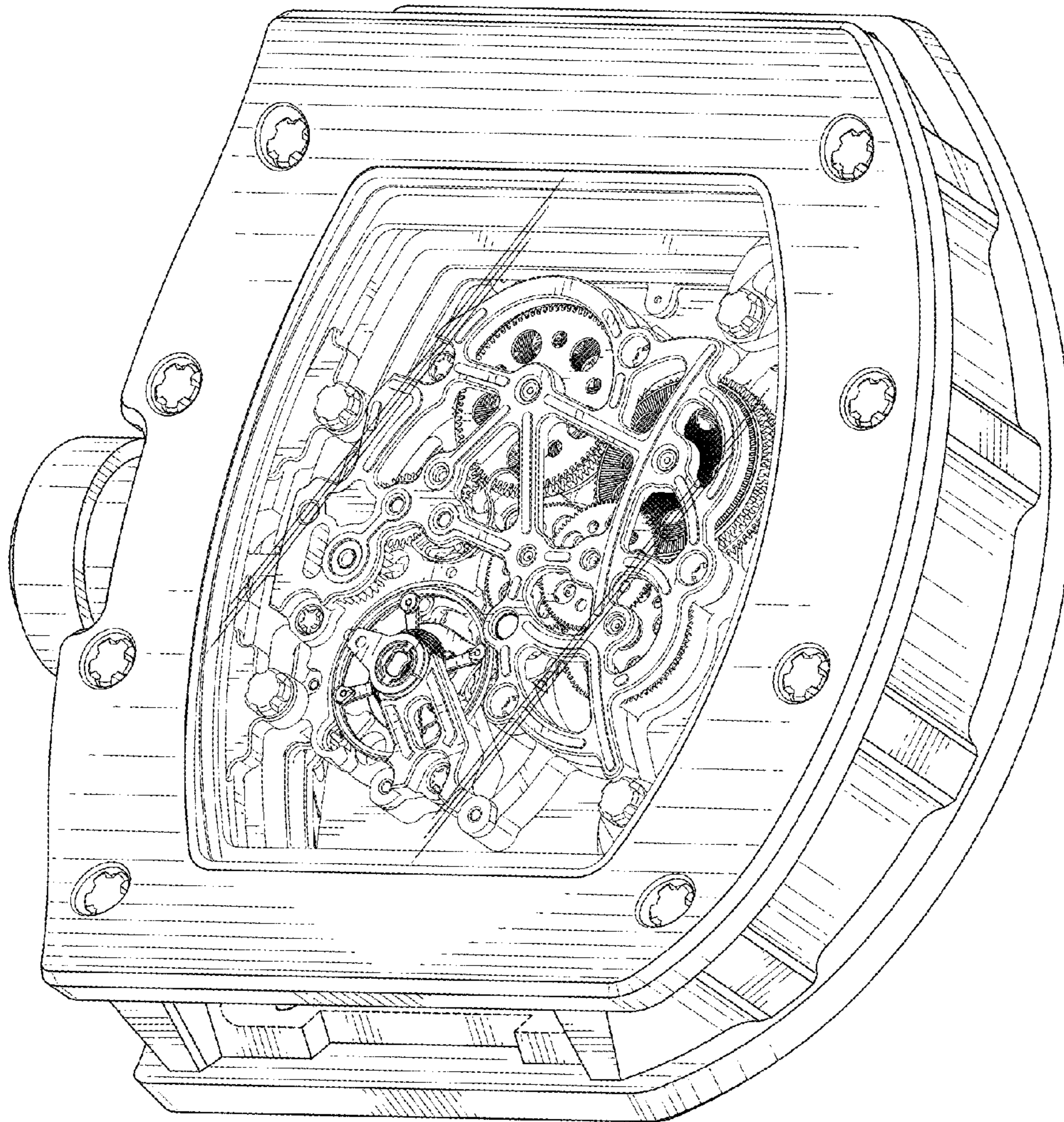


FIG. 2

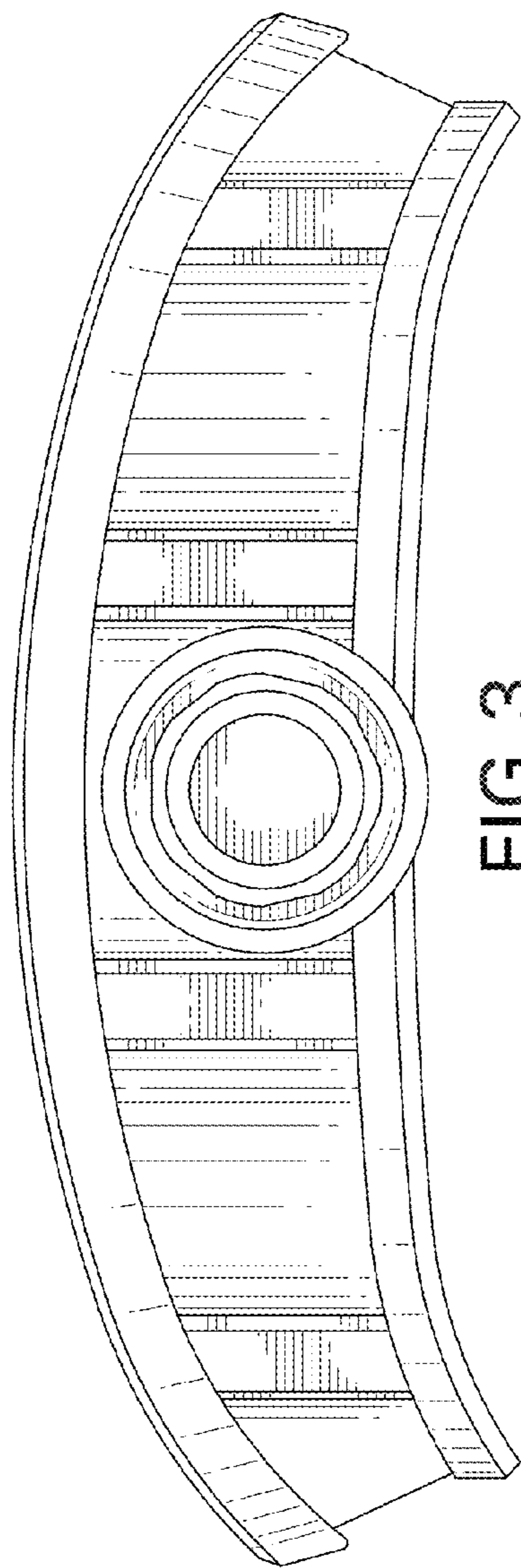


FIG. 3

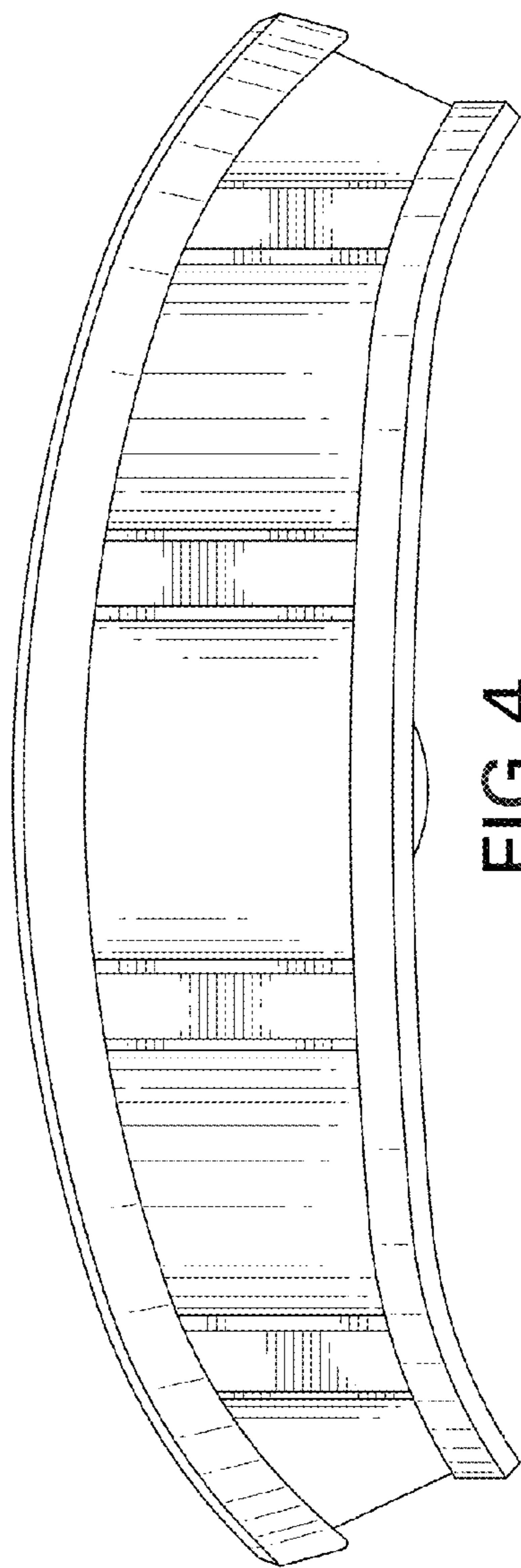


FIG. 4

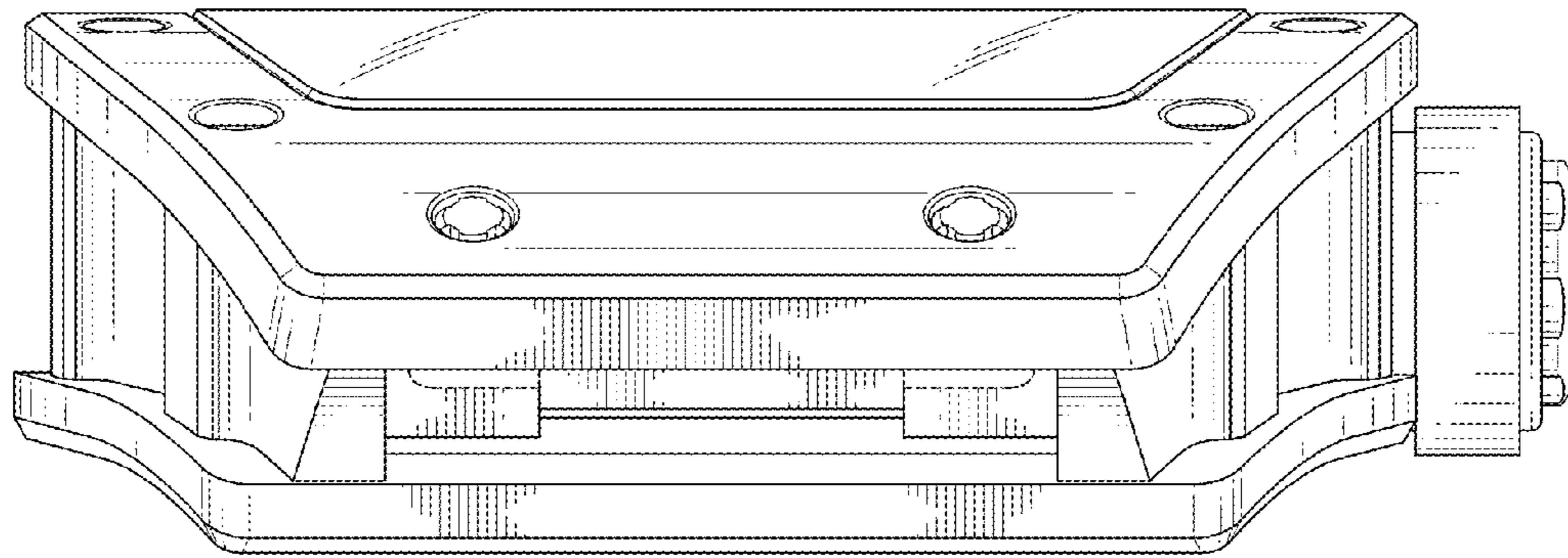


FIG. 5

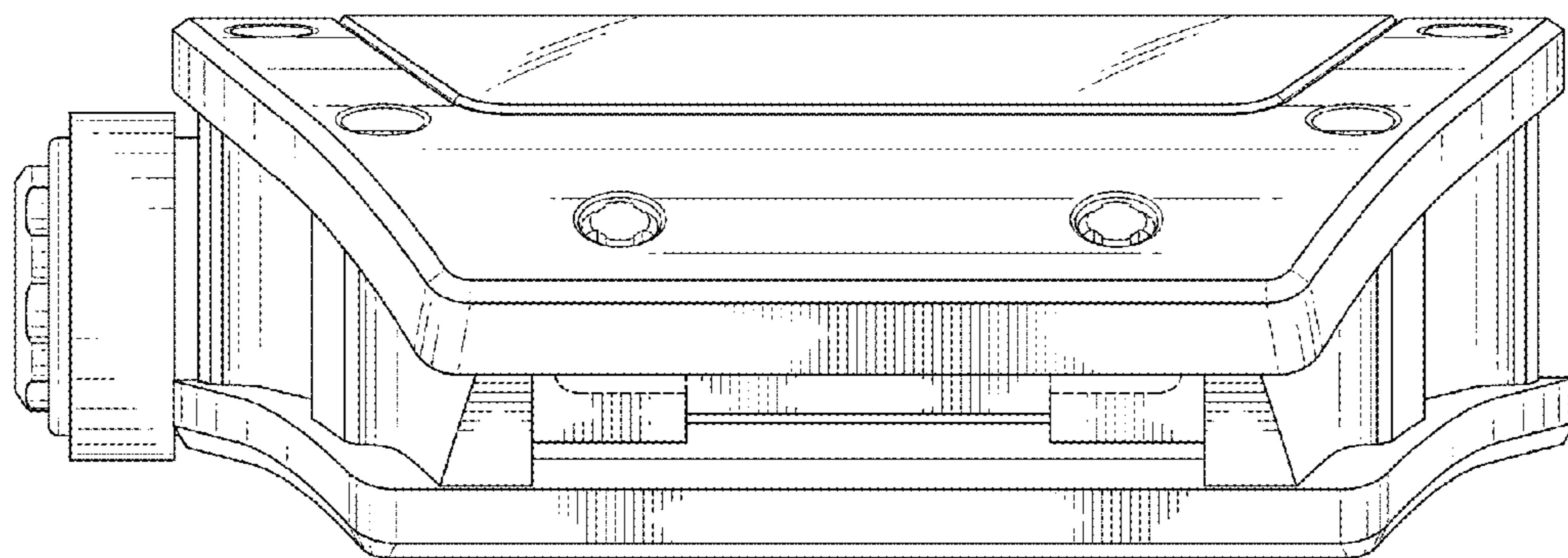


FIG. 6



FIG. 7

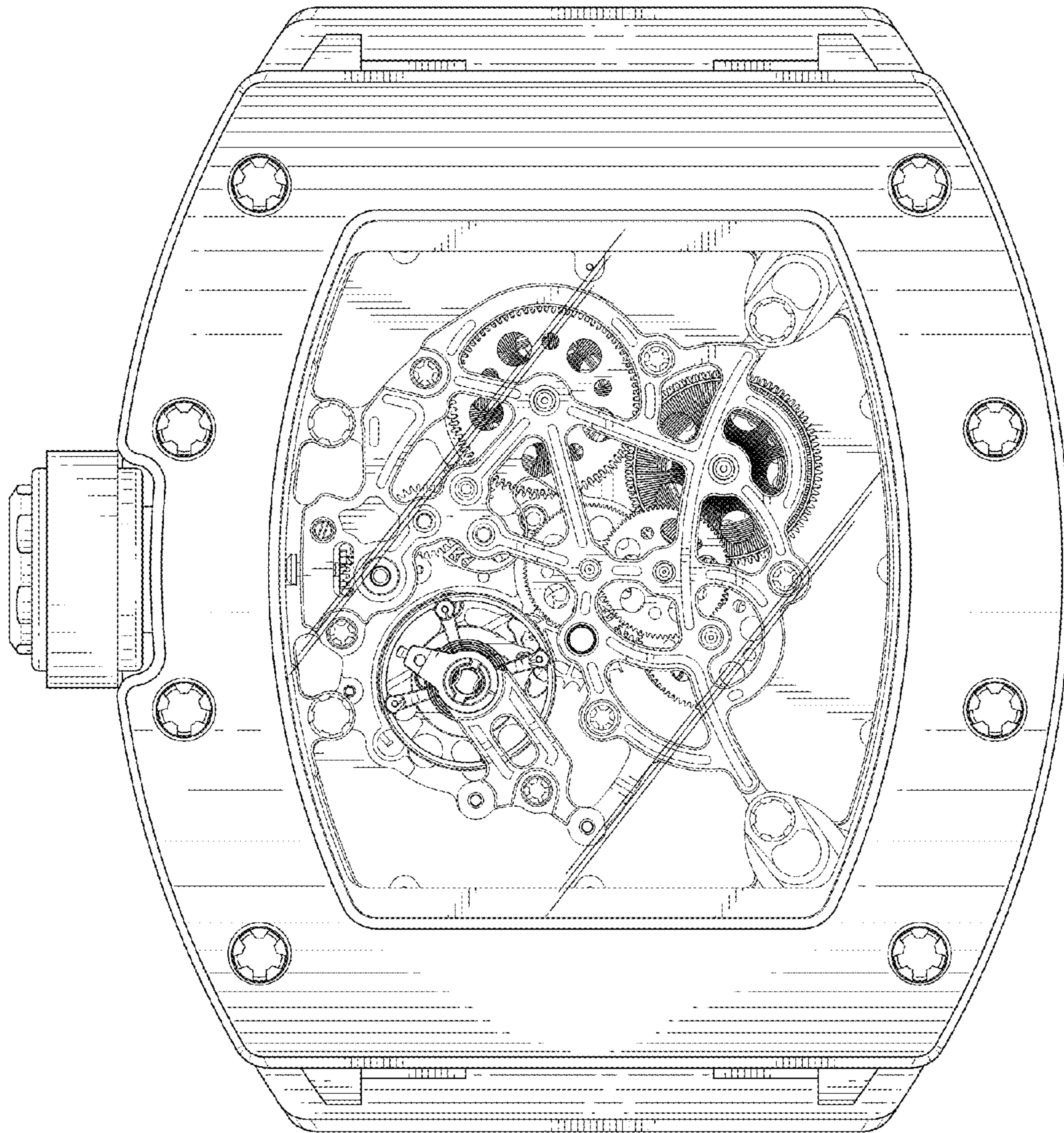


FIG. 8