



US00D714661S

(12) **United States Design Patent**
Calvani

(10) **Patent No.:** **US D714,661 S**

(45) **Date of Patent:** **** *Oct. 7, 2014**

(54) **WATCH**

(75) **Inventor:** **Maria Cristina Calvani**, Coligny (CH)

(73) **Assignee:** **ROLEX WATCH U.S.A., Inc.**, New York, NY (US)

(*) **Notice:** This patent is subject to a terminal disclaimer.

(**) **Term:** **14 Years**

(21) **Appl. No.:** **29/415,071**

(22) **Filed:** **Mar. 7, 2012**

(30) **Foreign Application Priority Data**

Nov. 3, 2011 (CH) 138387

(51) **LOC (10) Cl.** **10-02**

(52) **U.S. Cl.**
USPC **D10/39**

(58) **Field of Classification Search**
USPC D10/30-39, 122-132; 368/276, 281,
368/282, 223, 228, 232, 80, 294, 295
See application file for complete search history.

(56) **References Cited**

U.S. PATENT DOCUMENTS

| | | | | |
|---------------|--------|------------|-------|---------|
| D220,051 S * | 3/1971 | Gsell | | D10/39 |
| 3,901,023 A * | 8/1975 | Uebelhardt | | 368/281 |
| D350,702 S * | 9/1994 | Schwarz | | D10/39 |
| D356,042 S * | 3/1995 | Nakanishi | | D10/39 |
| D381,584 S * | 7/1997 | Kennedy | | D10/30 |

| | | | | |
|----------------|---------|-------------|-------|---------|
| D401,866 S * | 12/1998 | Pandel | | D10/32 |
| D415,694 S * | 10/1999 | Fichter | | D10/30 |
| D459,241 S * | 6/2002 | Bodino | | D10/32 |
| D493,729 S * | 8/2004 | Monachon | | D10/32 |
| D502,880 S * | 3/2005 | Bernheim | | D10/32 |
| D520,384 S * | 5/2006 | Scheufele | | D10/39 |
| 7,307,916 B2 * | 12/2007 | Vogt et al. | | 368/21 |
| D579,350 S * | 10/2008 | Calvani | | D10/39 |
| D580,290 S * | 11/2008 | Antifora | | D10/126 |
| D580,796 S * | 11/2008 | Calvani | | D10/33 |
| D585,309 S * | 1/2009 | Monachon | | D10/39 |
| D590,274 S * | 4/2009 | Monachon | | D10/31 |
| D592,080 S * | 5/2009 | Mijatovic | | D10/39 |
| D616,782 S * | 6/2010 | Chastaingt | | D10/126 |
| D624,442 S * | 9/2010 | Clerc | | D10/38 |
| D624,443 S * | 9/2010 | Cerrato | | D10/38 |
| D658,517 S * | 5/2012 | Behling | | D10/39 |
| D668,573 S * | 10/2012 | Rabassa | | D10/126 |
| D673,463 S * | 1/2013 | Duport | | D10/32 |

* cited by examiner

Primary Examiner — Lucy Lieberman

(74) *Attorney, Agent, or Firm* — Sughrue Mion, PLLC

(57) **CLAIM**

The ornamental design for watch, as shown and described.

DESCRIPTION

FIG. 1 is a front elevation of a watch showing my new design;
FIG. 2 is a first side view thereof;
FIG. 3 is a second side view thereof;
FIG. 4 is a front perspective view thereof;
FIG. 5 is a rear view thereof;
FIG. 6 is a third side view thereof; and,
FIG. 7 is a fourth side view thereof.

1 Claim, 5 Drawing Sheets

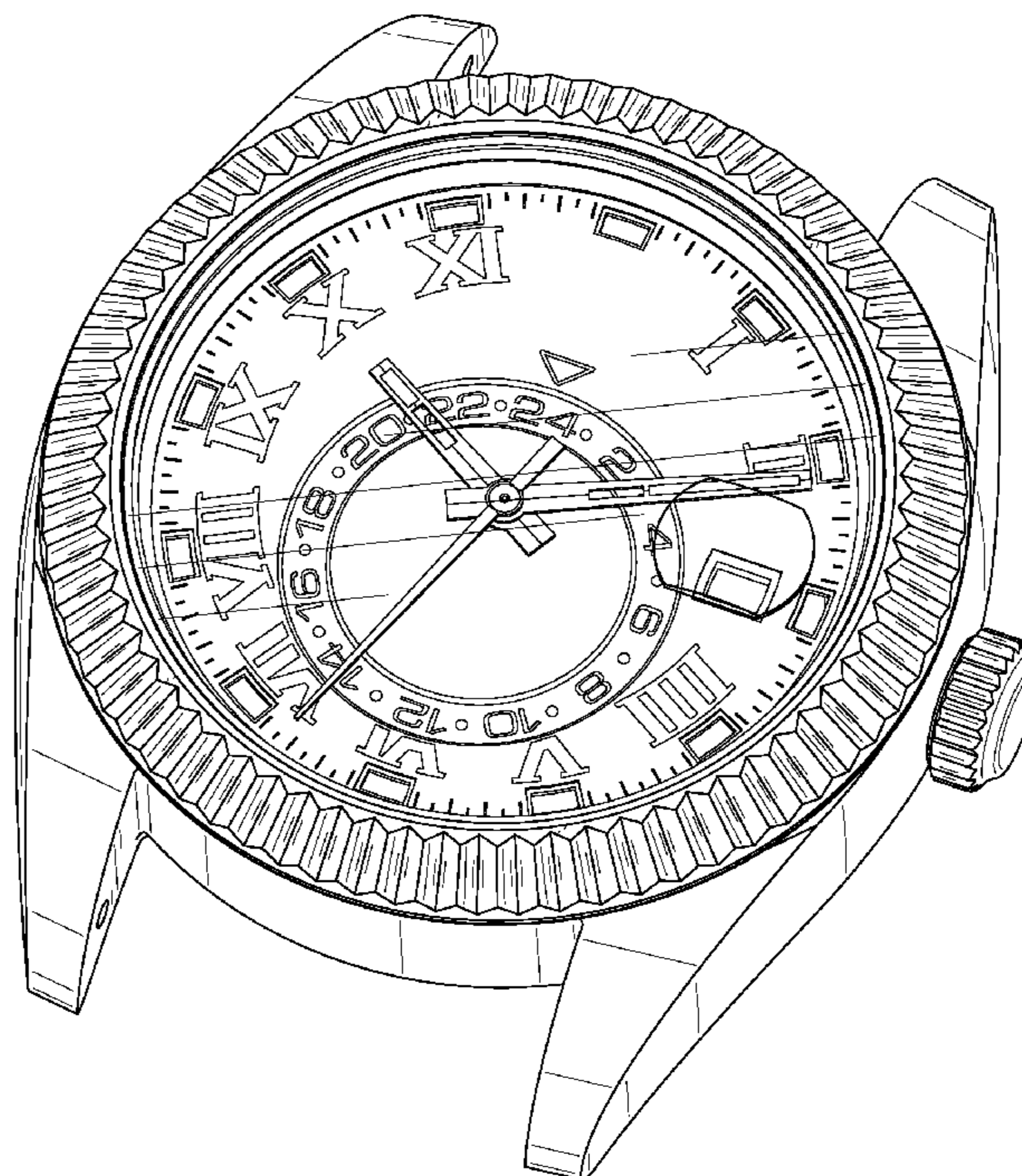




FIG. 1

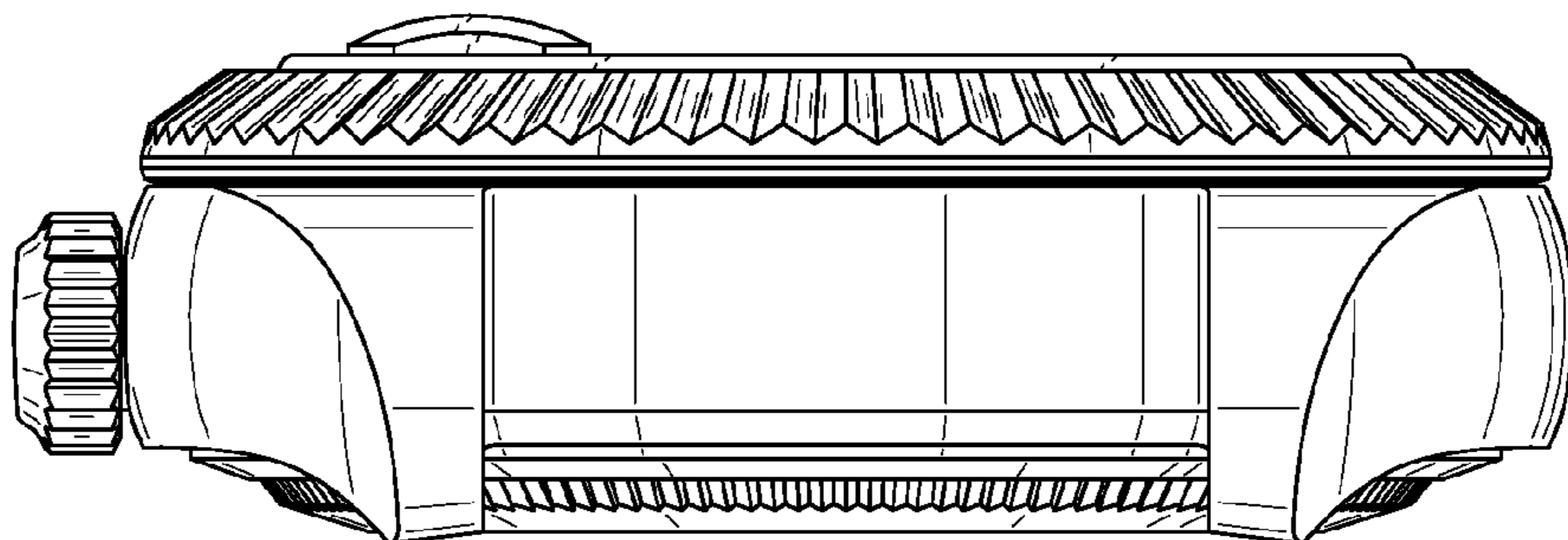


FIG. 2

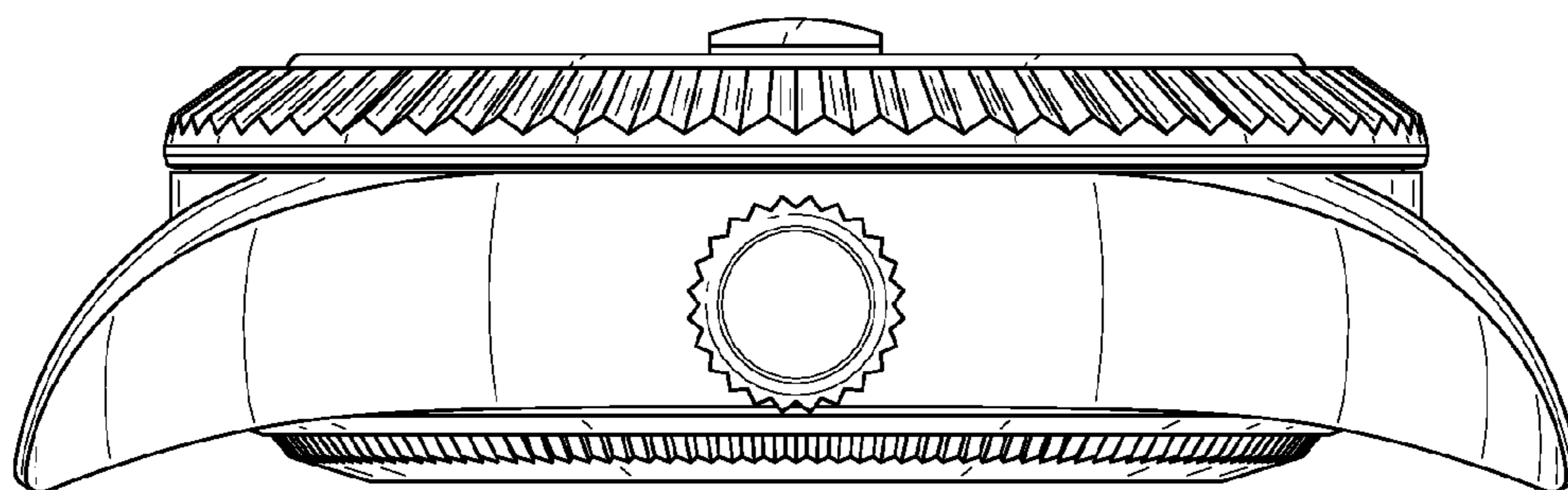


FIG. 3



FIG. 4

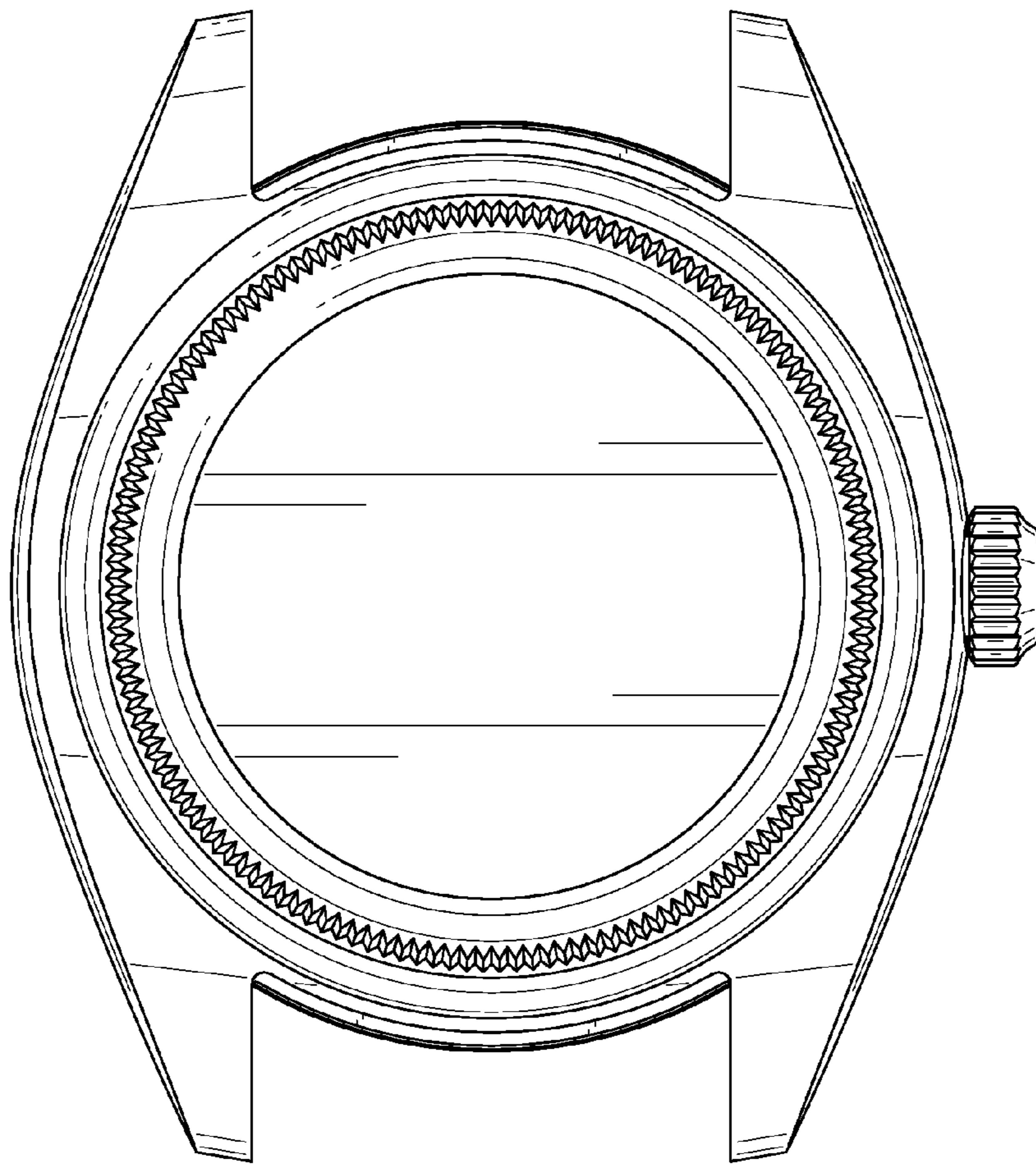


FIG. 5

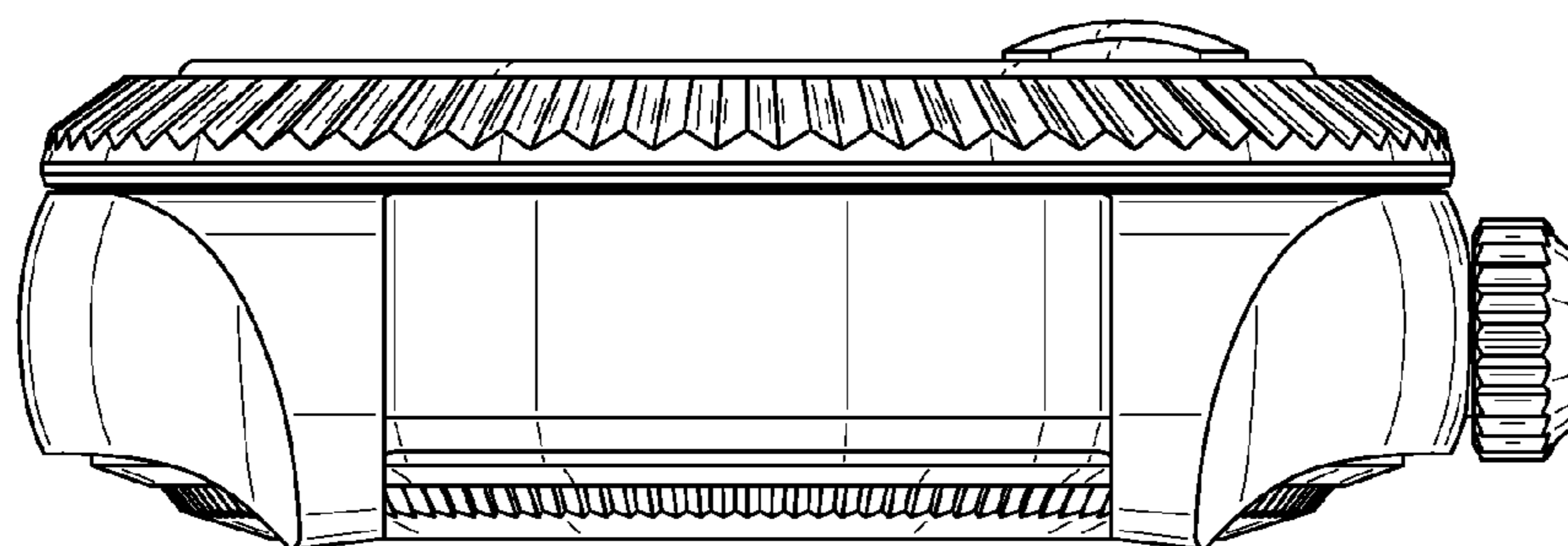


FIG. 6

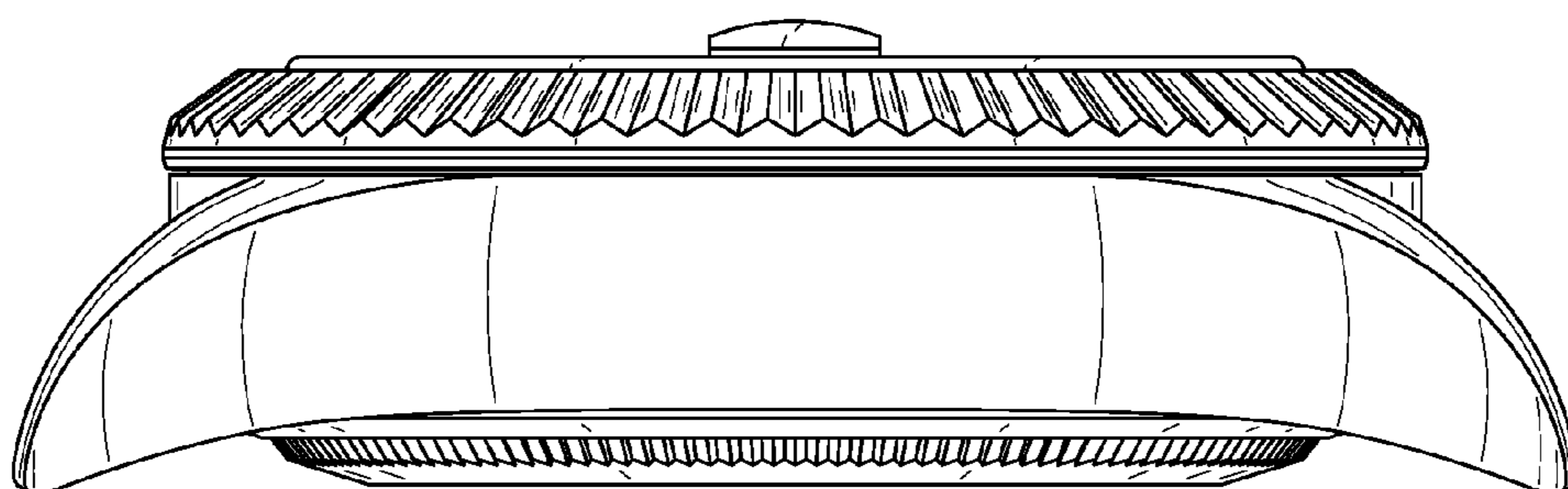


FIG. 7