



US00D714660S

(12) **United States Design Patent**  
**Tilahun et al.**

(10) **Patent No.:** **US D714,660 S**  
(45) **Date of Patent:** **\*\* Oct. 7, 2014**

(54) **PACKAGE**

- (71) Applicant: **Kraft Foods Group Brands LLC**,  
Northfield, IL (US)
- (72) Inventors: **Muluken Tilahun**, Waunakee, WI (US);  
**Daniel Doucette**, DeForest, WI (US);  
**Daniel R. Feldmeier**, Waunakee, WI  
(US); **Paris Alexander Edwards**  
**Lowitz**, Chicago, IL (US); **Stacy Alycia**  
**Thomas Castro**, Chicago, IL (US)
- (73) Assignee: **Kraft Foods Group Brands LLC**,  
Northfield, IL (US)

(\*\*) Term: **14 Years**

(21) Appl. No.: **29/440,709**

(22) Filed: **Dec. 26, 2012**

(51) **LOC (10) Cl.** ..... **09-03**

(52) **U.S. Cl.**  
USPC ..... **D9/737**

(58) **Field of Classification Search**  
USPC ..... D9/737, 761, 414, 415, 424, 425,  
D9/430-432, 427; 426/108, 110, 119, 122;  
229/164.1; 206/45.24, 45.23, 461, 545;  
220/631

See application file for complete search history.

(56) **References Cited**

**U.S. PATENT DOCUMENTS**

3,685,649 A 8/1972 Diehl  
3,785,546 A 1/1974 Kuster

(Continued)

**FOREIGN PATENT DOCUMENTS**

EP 1942058 A1 7/2008  
FR 2855817 A1 12/2004

(Continued)

**OTHER PUBLICATIONS**

International Search Report issued in International application No.  
PCT/US2013/076988 on Dec. 20, 2013.

*Primary Examiner* — Mark Goodwin

(74) *Attorney, Agent, or Firm* — Fitch, Even, Tabin &  
Flannery LLP

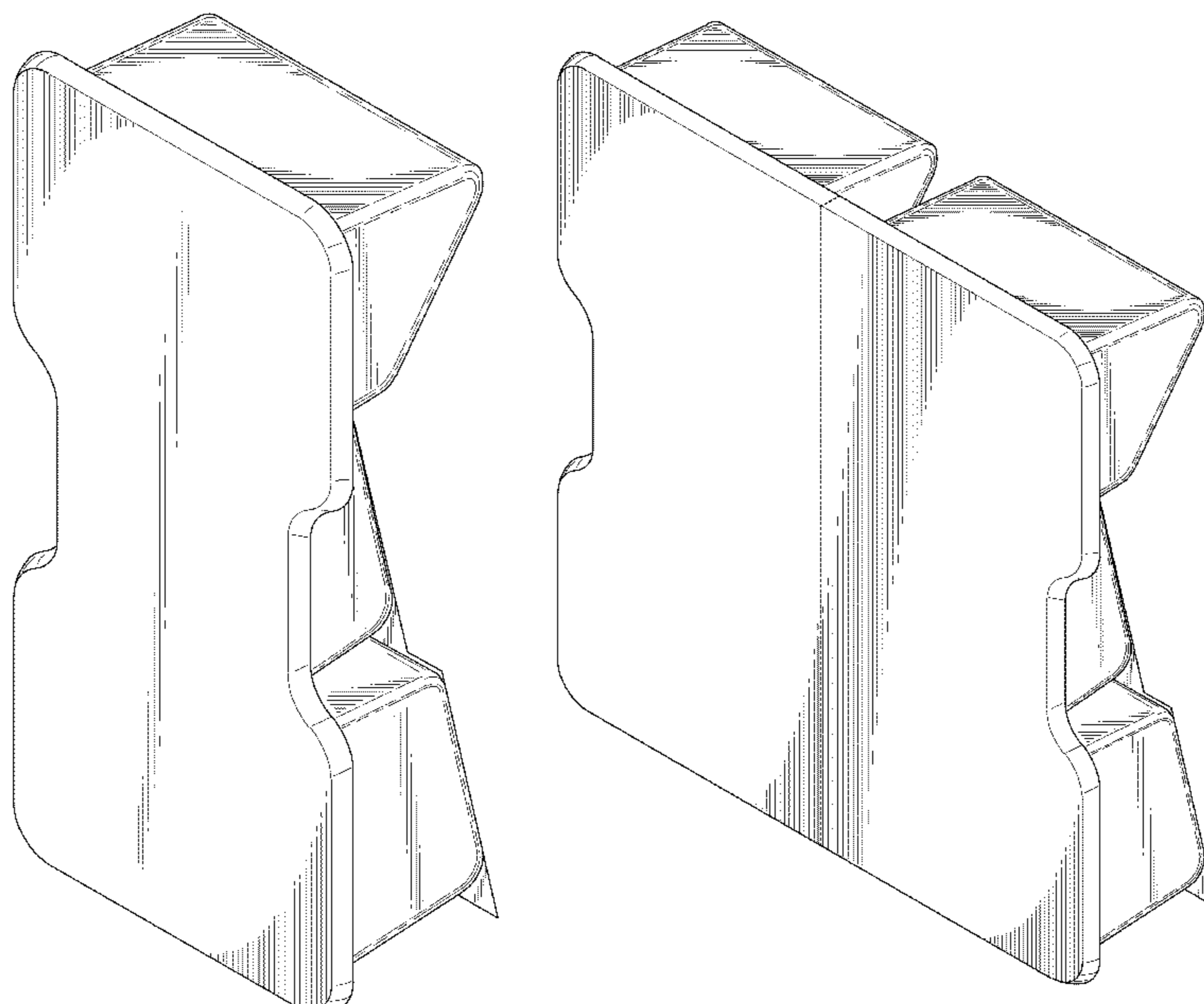
(57) **CLAIM**

The ornamental design for a package, as shown and  
described.

**DESCRIPTION**

FIG. 1 is a perspective view of a first embodiment of a pack-  
age showing our new design;  
FIG. 2 is a front elevation view of the first embodiment;  
FIG. 3 is a rear elevation view of the first embodiment;  
FIG. 4 is a right side elevation view of the first embodiment;  
FIG. 5 is a left side elevation view of the first embodiment;  
FIG. 6 is a top plan view of the first embodiment;  
FIG. 7 is a bottom plan view of the first embodiment;  
FIG. 8 is a perspective view of a second embodiment of a  
package showing our new design;  
FIG. 9 is a front elevation view of the second embodiment;  
FIG. 10 is a rear elevation view of the second embodiment;  
FIG. 11 is a right side elevation view of the second embodi-  
ment;  
FIG. 12 is a left side elevation view of the second embodi-  
ment;  
FIG. 13 is a top plan view of the second embodiment; and,  
FIG. 14 is a bottom plan view of the second embodiment.

**1 Claim, 6 Drawing Sheets**



(56)

References Cited

U.S. PATENT DOCUMENTS

4,653,685 A \* 3/1987 Leary et al. .... 229/406  
 D293,767 S \* 1/1988 Powers ..... D9/761  
 4,930,627 A \* 6/1990 Borst et al. .... 206/45.23  
 5,011,006 A 4/1991 Anderson  
 5,119,940 A \* 6/1992 Grindrod ..... 426/120  
 D335,821 S \* 5/1993 Detert et al. .... D9/761  
 D337,048 S \* 7/1993 Detert et al. .... D9/761  
 D337,268 S \* 7/1993 Detert et al. .... D9/761  
 5,375,701 A 12/1994 Hustad et al.  
 D381,264 S \* 7/1997 Lippincott ..... D9/761  
 5,657,874 A 8/1997 Hustad et al.  
 5,695,798 A \* 12/1997 Rozzano ..... 426/115  
 5,743,402 A \* 4/1998 Gics ..... 206/459.5  
 D395,392 S \* 6/1998 Lahm et al. .... D9/425  
 D408,280 S \* 4/1999 Manley et al. .... D9/415  
 5,900,263 A 5/1999 Gics  
 D416,483 S \* 11/1999 Manley et al. .... D9/415  
 D420,283 S \* 2/2000 Reichel ..... D9/759  
 6,092,664 A 7/2000 Bartosek  
 6,261,616 B1 \* 7/2001 Simpson et al. .... 426/119  
 D463,977 S \* 10/2002 Castellanos et al. .... D9/761

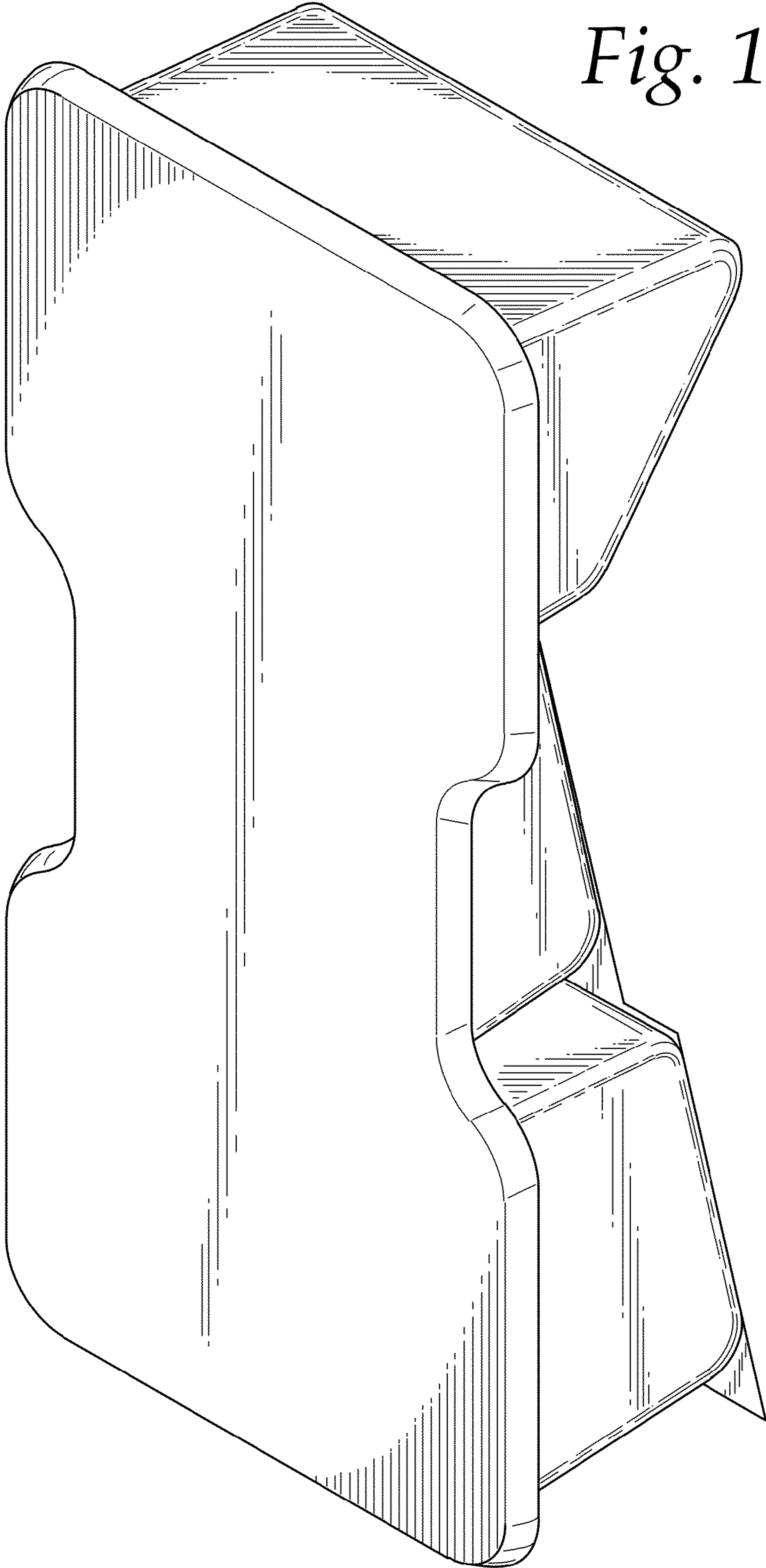
D471,766 S 3/2003 Bradley et al.  
 D474,687 S \* 5/2003 Jones et al. .... D9/761  
 D492,593 S \* 7/2004 Dutton ..... D9/760  
 D515,880 S \* 2/2006 Lerner ..... D7/629  
 D531,054 S \* 10/2006 Sagel ..... D9/737  
 D562,127 S \* 2/2008 Croft et al. .... D9/418  
 7,377,381 B2 5/2008 Dziaba et al.  
 D579,769 S \* 11/2008 Lipinski et al. .... D9/759  
 D627,217 S \* 11/2010 Marcinkowski et al. .... D9/415  
 D642,484 S \* 8/2011 Birchmeier et al. .... D9/760  
 D642,937 S \* 8/2011 Birchmeier et al. .... D9/760  
 8,025,179 B2 9/2011 Miller et al.  
 2001/0001674 A1 5/2001 Simpson et al.  
 2007/0187264 A1 8/2007 Hofte et al.  
 2009/0039079 A1 2/2009 Lipinski et al.  
 2009/0159483 A1 6/2009 Hinze et al.  
 2011/0027438 A1 2/2011 Finkowski

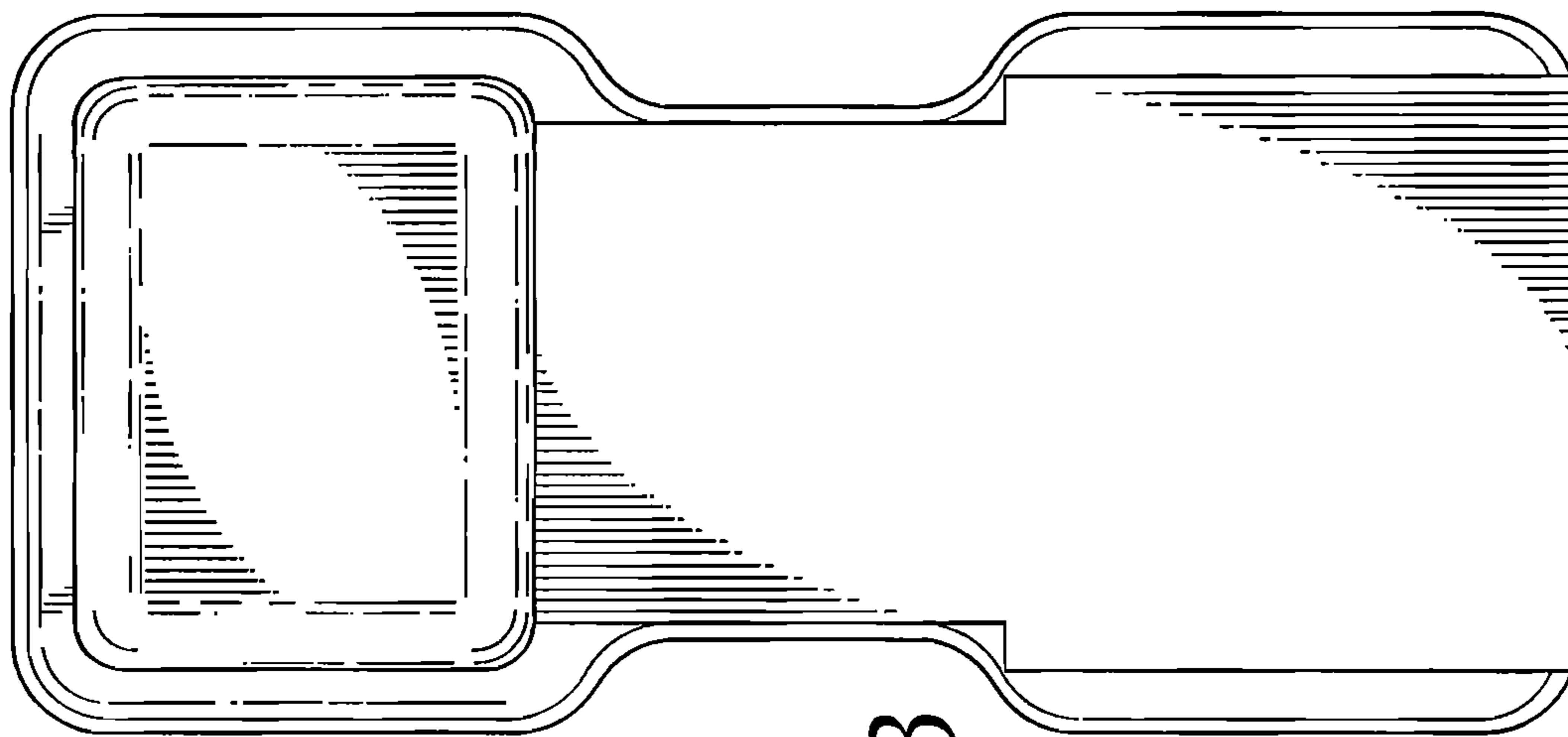
FOREIGN PATENT DOCUMENTS

GB 1406444 A 9/1975  
 GB 2451737 A 2/2009  
 WO WO 2014105712 7/2014

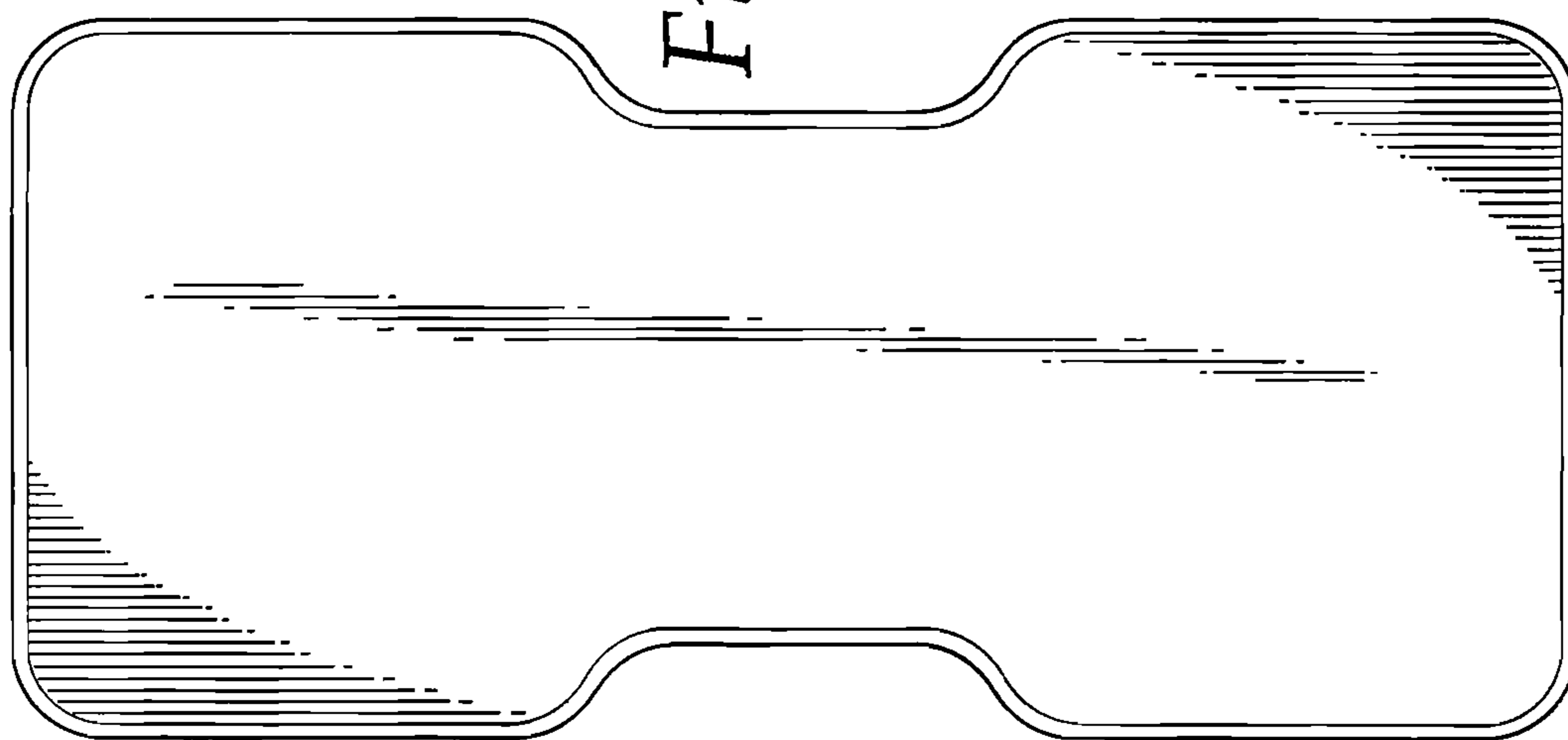
\* cited by examiner

*Fig. 1*

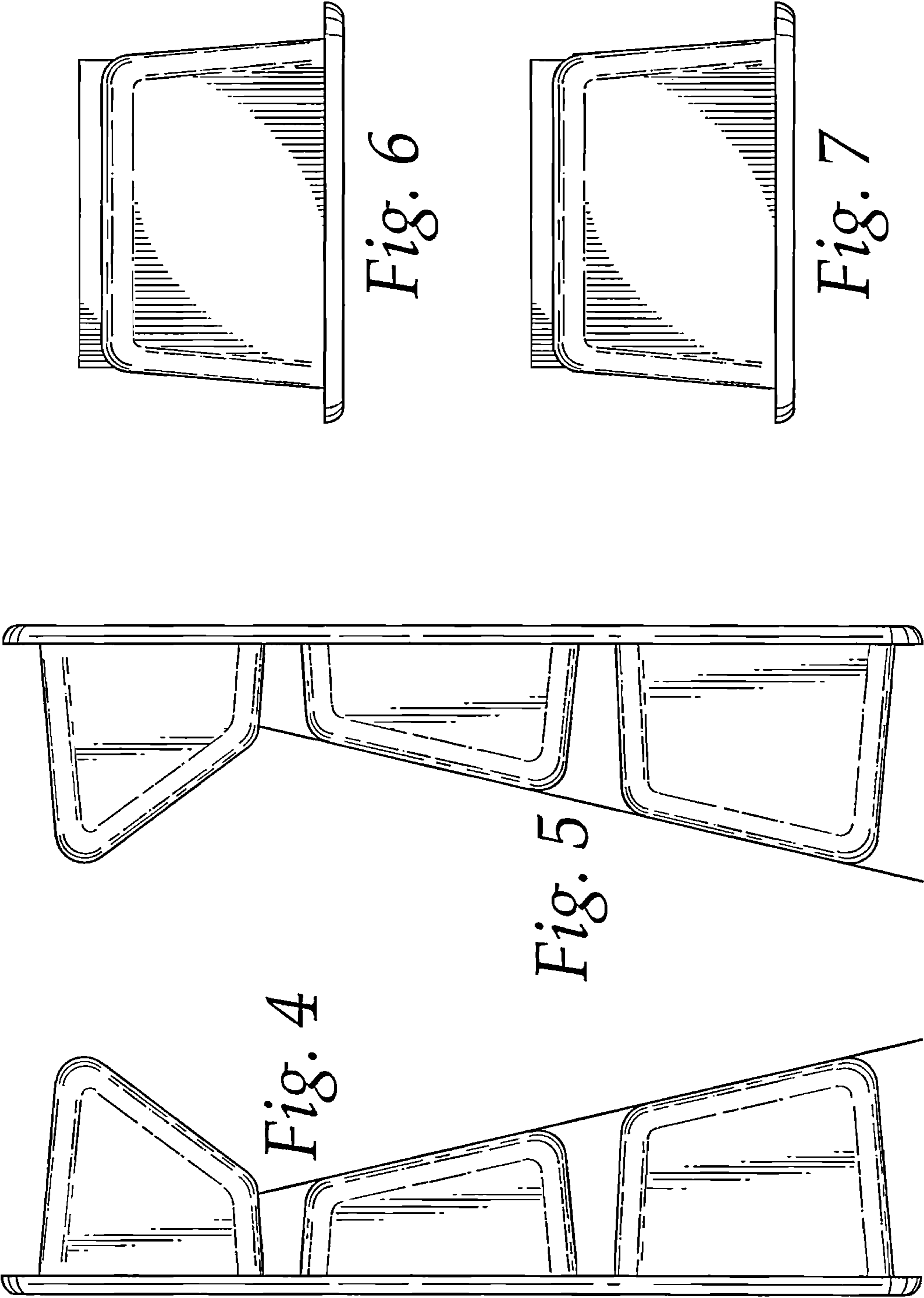




*Fig. 2*



*Fig. 3*

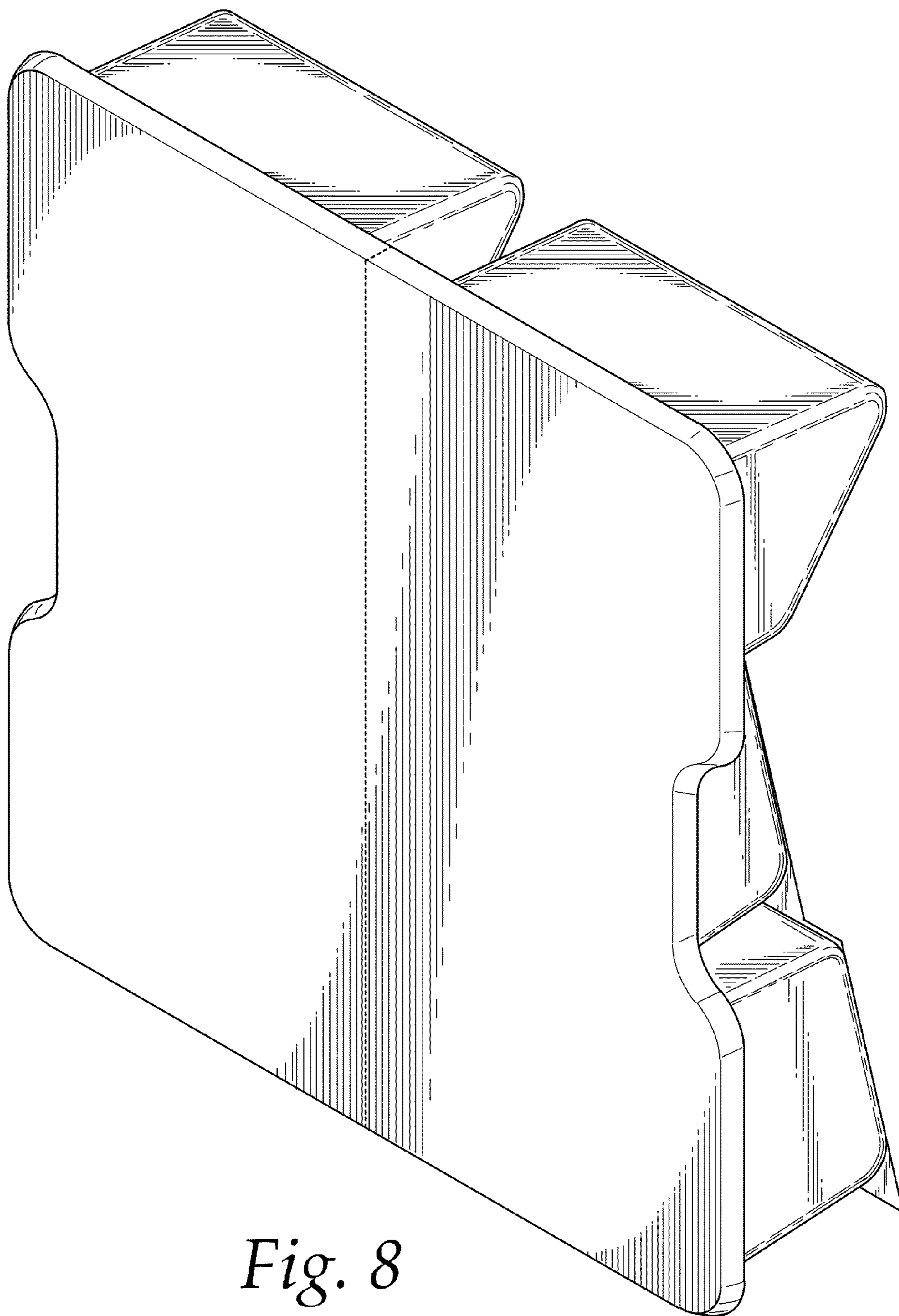


*Fig. 6*

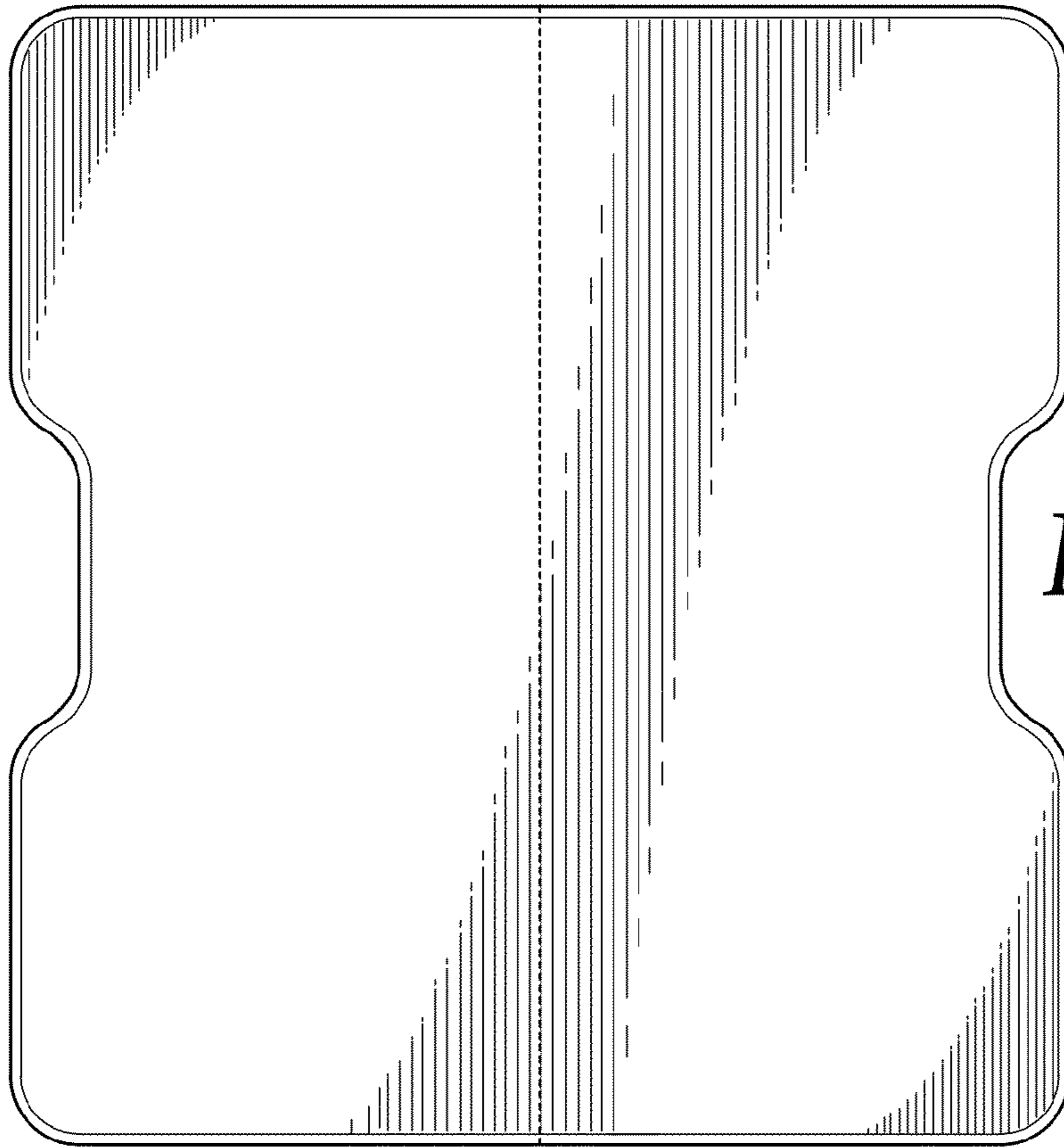
*Fig. 7*

*Fig. 5*

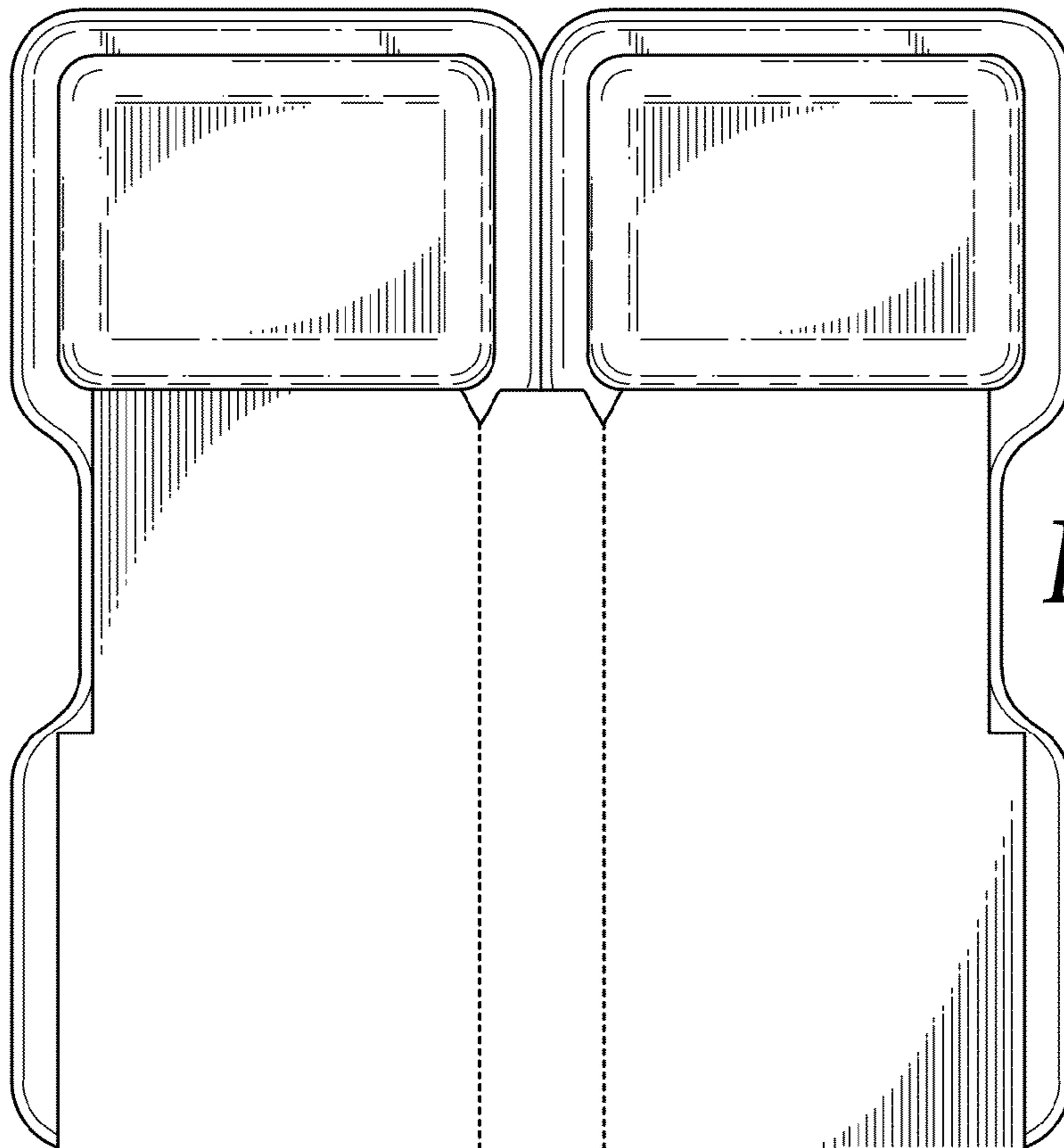
*Fig. 4*



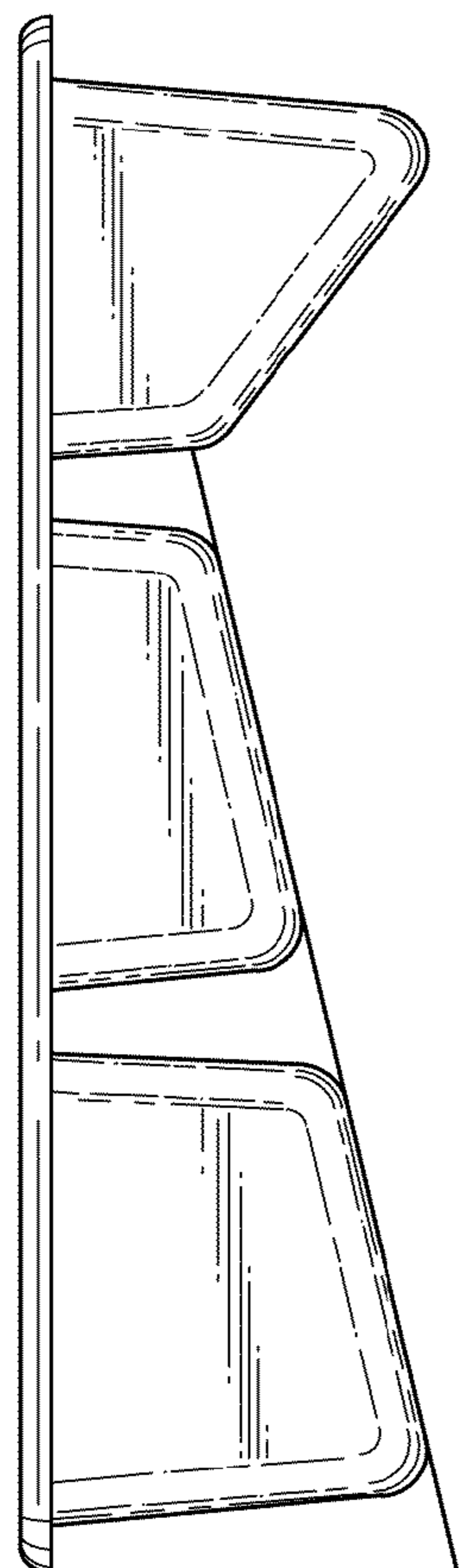
*Fig. 8*



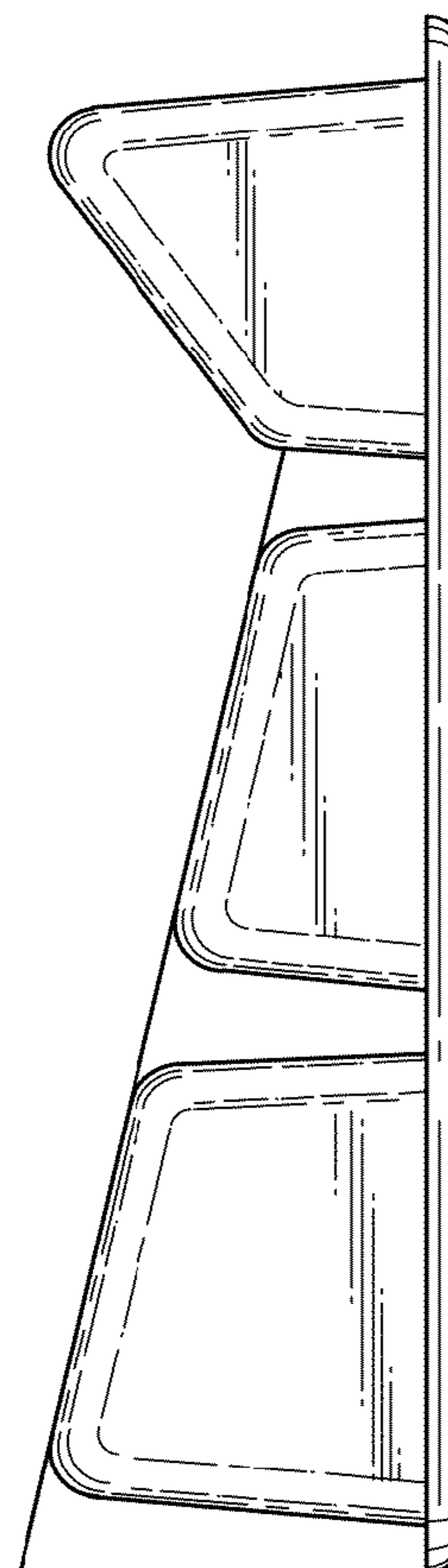
*Fig. 9*



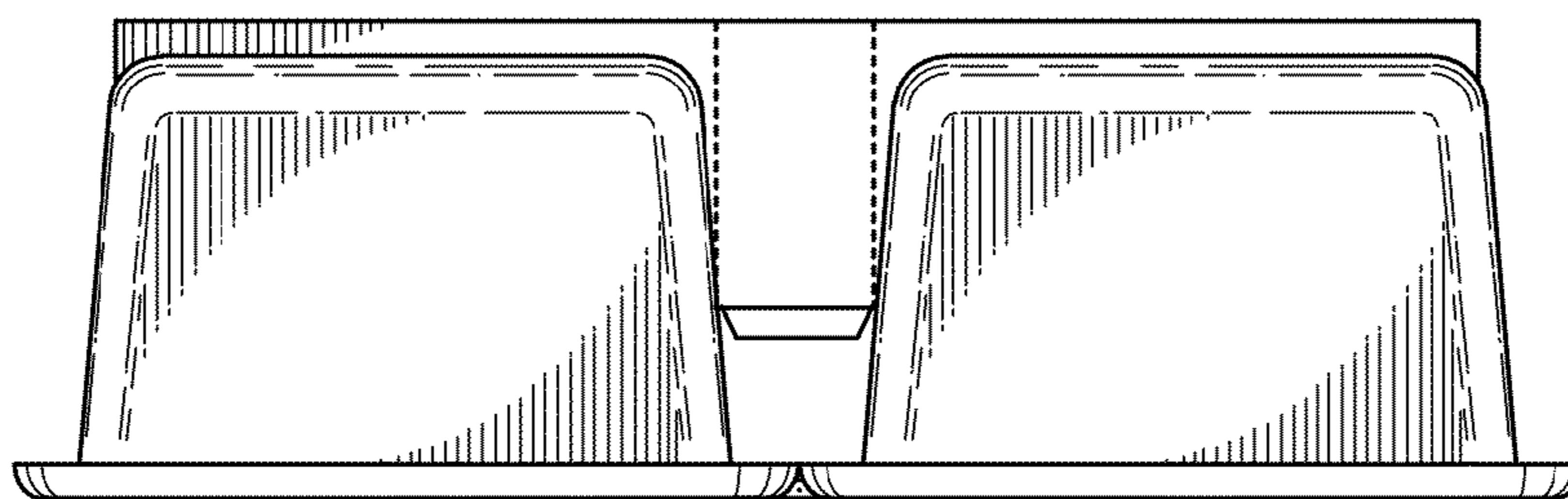
*Fig. 10*



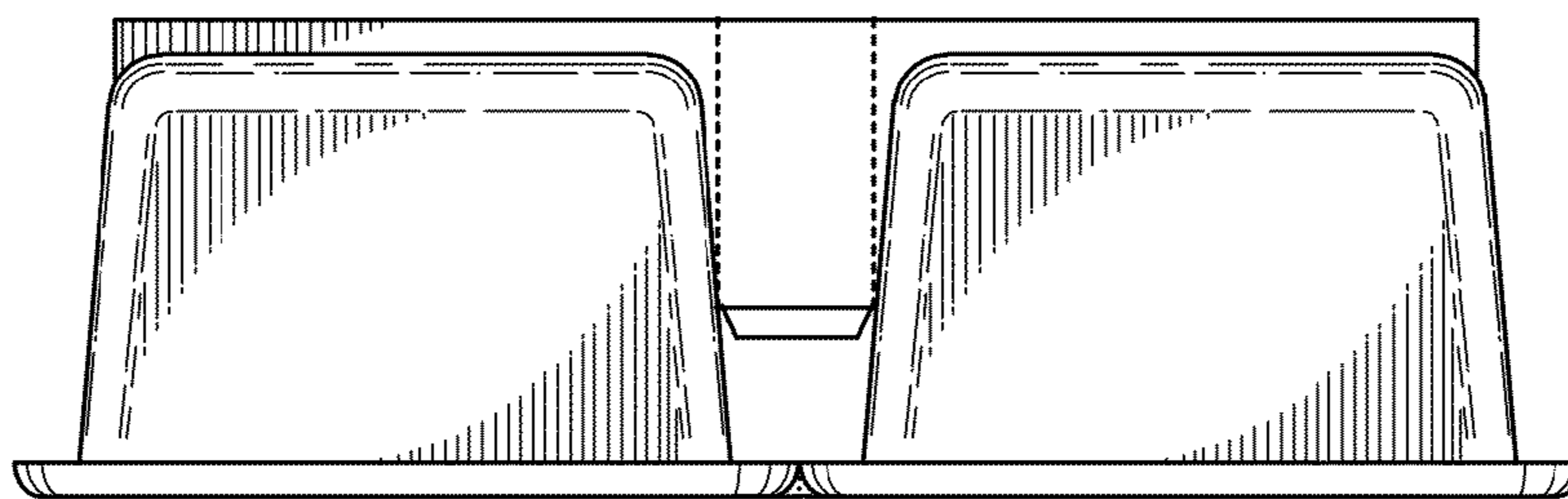
*Fig. 11*



*Fig. 12*



*Fig. 13*



*Fig. 14*