



US00D714653S

(12) **United States Design Patent**
Tussy

(10) **Patent No.:** **US D714,653 S**
(45) **Date of Patent:** **** Oct. 7, 2014**

- (54) **DIAMOND SHAPED BOTTLE**
 - (71) Applicant: **Kevin Alan Tussy**, Henderson, NV (US)
 - (72) Inventor: **Kevin Alan Tussy**, Henderson, NV (US)
 - (**) Term: **14 Years**
 - (21) Appl. No.: **29/468,462**
 - (22) Filed: **Sep. 30, 2013**
 - (51) **LOC (10) Cl.** **09-01**
 - (52) **U.S. Cl.**
USPC **D9/651**
 - (58) **Field of Classification Search**
USPC D9/600, 651, 500-504, 516, 520-521,
D9/544-546; 206/494, 457, 527, 540, 830;
215/400; 220/260, 890; 229/116.1,
229/116.2; D7/514-519, 619.2, 628;
D11/90
- See application file for complete search history.

D504,595 S *	5/2005	Søndergaard et al.	D7/628
D522,240 S *	6/2006	Laval et al.	D9/651
D581,804 S *	12/2008	Lablaine	D9/651
D595,590 S *	7/2009	Lablaine	D9/651
D601,029 S *	9/2009	Wagner	D9/651
D633,806 S *	3/2011	Lecoule	D9/544
D685,670 S *	7/2013	Chen et al.	D11/90
D685,671 S *	7/2013	Akbari	D11/90
D689,790 S *	9/2013	Arvindbhai Mistry	D11/90
D690,224 S *	9/2013	Har	D11/90

* cited by examiner

Primary Examiner — Sandra Morris
(74) *Attorney, Agent, or Firm* — Weide & Miller, Ltd.

(56) **References Cited**

U.S. PATENT DOCUMENTS

D76,976 S *	11/1928	Applebaum	D9/651
D124,598 S *	1/1941	Brodovitch	D9/651
D277,455 S *	2/1985	Tordjman	D9/546
D289,142 S *	4/1987	Bijaoui	D9/546
D365,516 S *	12/1995	Williamson	D9/651
D375,047 S *	10/1996	Jivago	D9/651
D382,225 S *	8/1997	Yuan	D11/90
D399,426 S *	10/1998	Jivago	D9/651
D406,532 S *	3/1999	Black	D9/651
D490,014 S *	5/2004	Mehta	D11/90

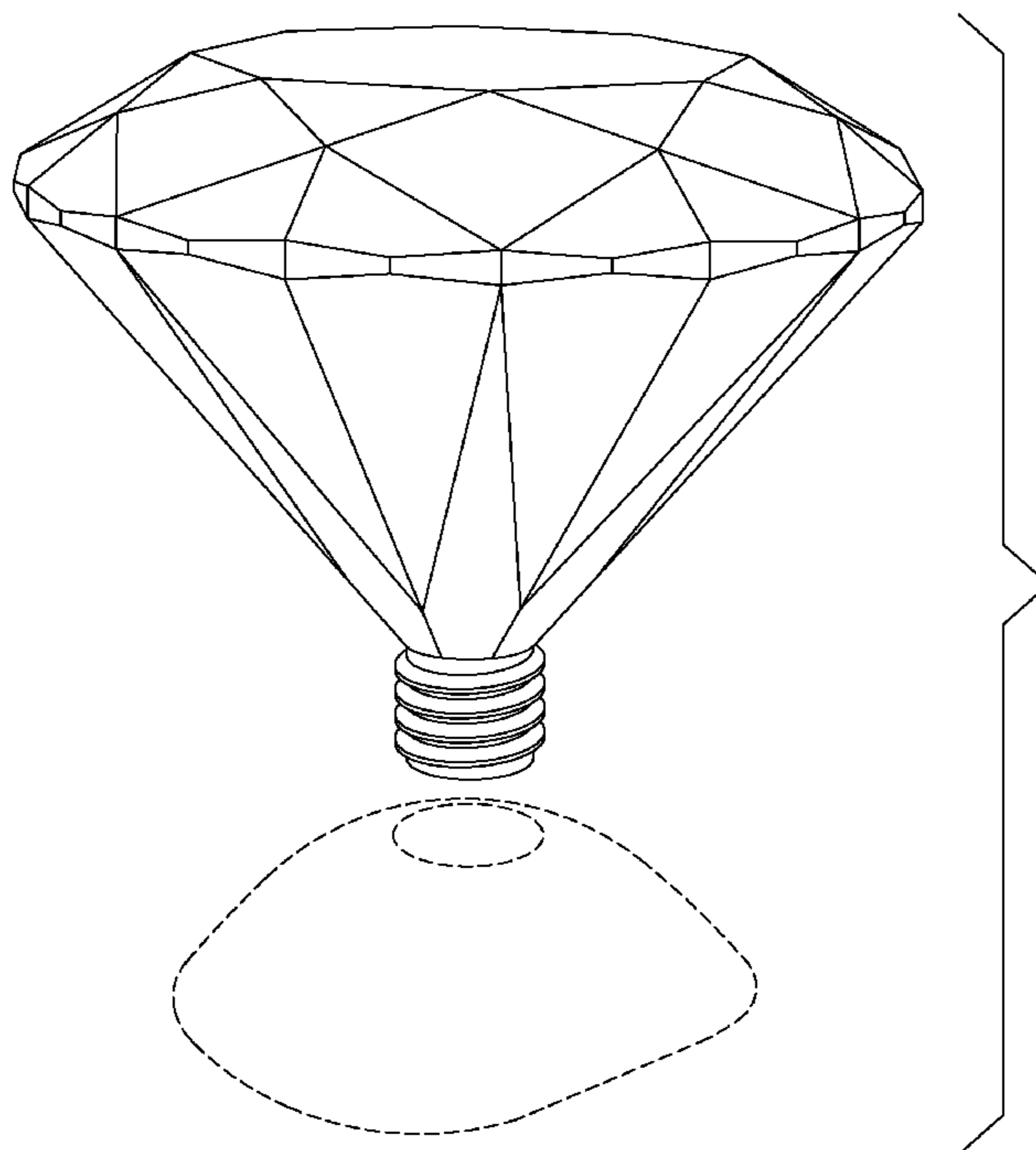
(57) **CLAIM**

The ornamental design for a diamond shaped bottle, as shown and described.

DESCRIPTION

FIG. 1 is a perspective view of a diamond shaped bottle in accordance with the present invention;
 FIG. 2 is an exploded perspective view thereof;
 FIG. 3 is a front view thereof;
 FIG. 4 is an exploded front view thereof;
 FIG. 5 is a top view thereof;
 FIG. 6 is a bottom view thereof;
 FIG. 7 is a side view thereof; and,
 FIG. 8 is an exploded side view thereof.
 The broken line showing is for illustrative purposes only, and forms no part of the claimed design.

1 Claim, 8 Drawing Sheets



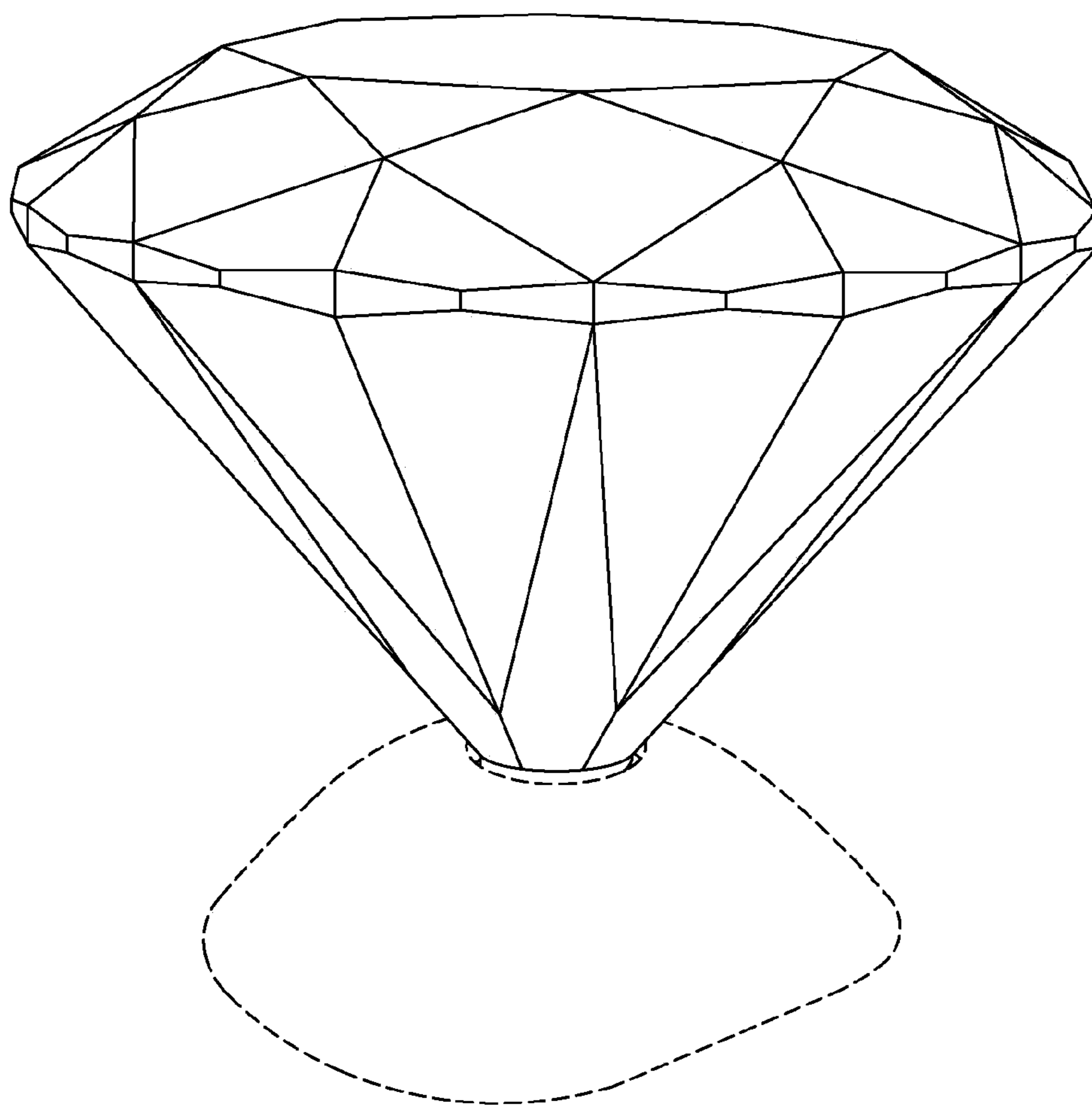


FIG. 1

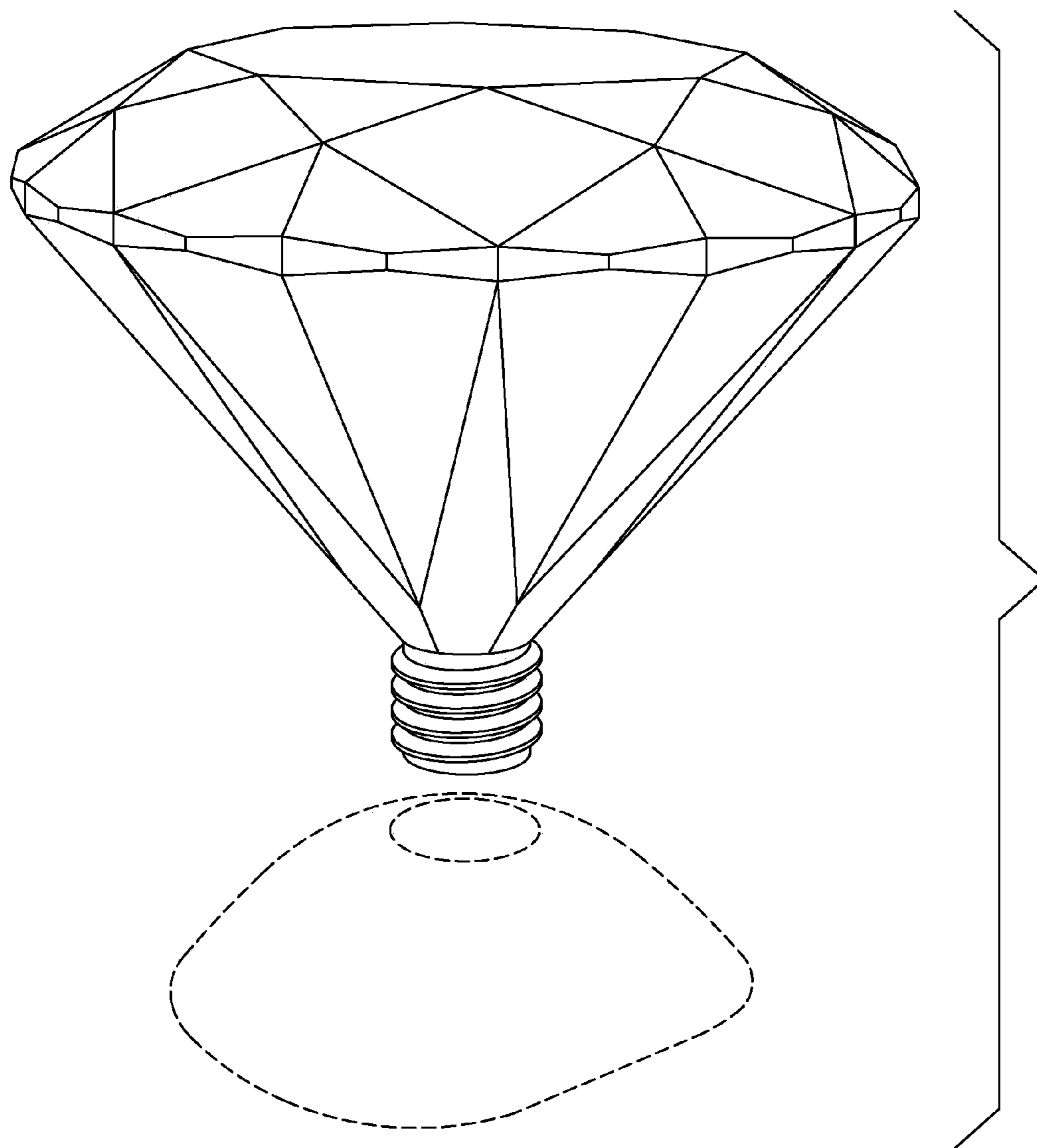


FIG. 2

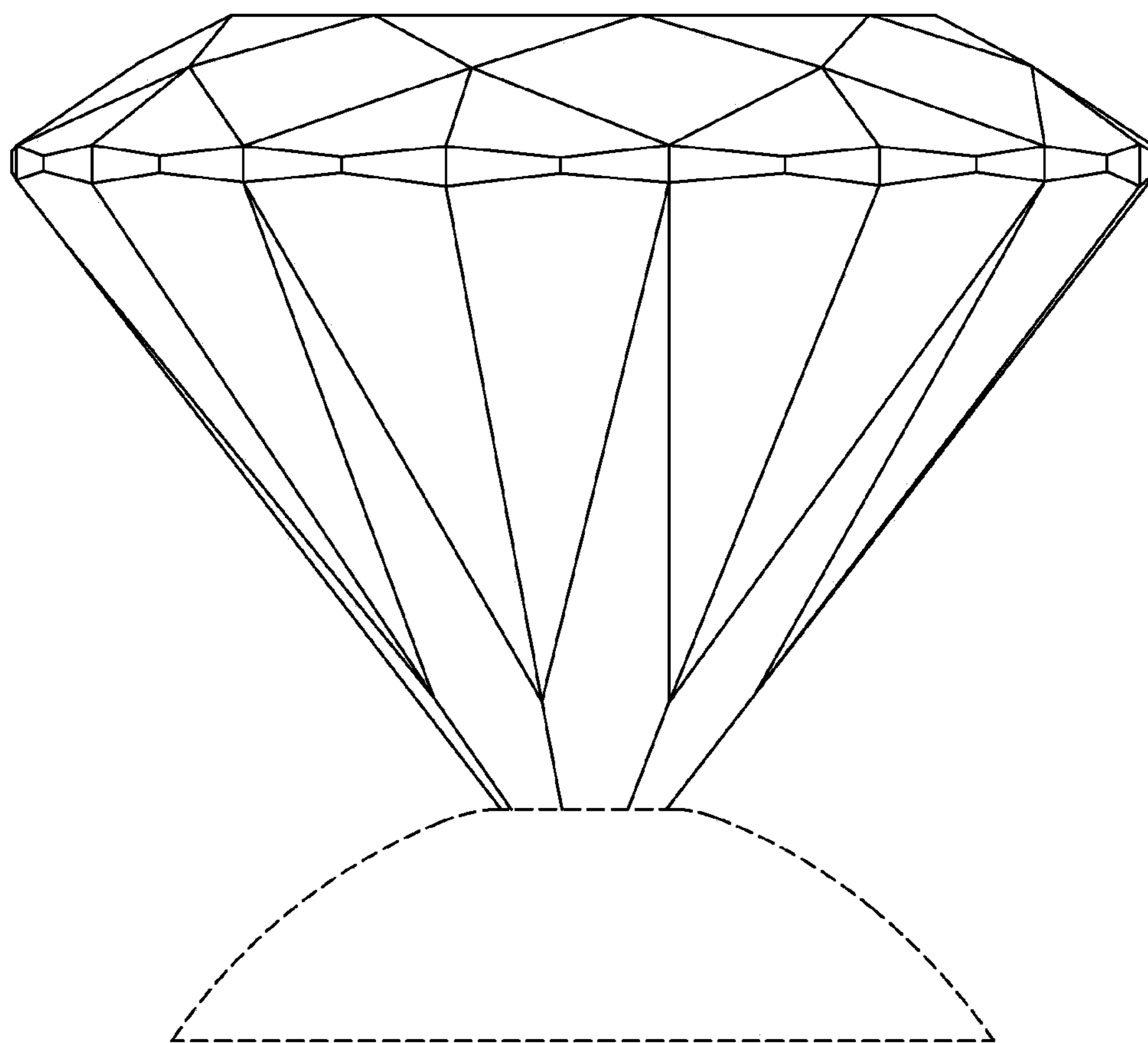


FIG. 3

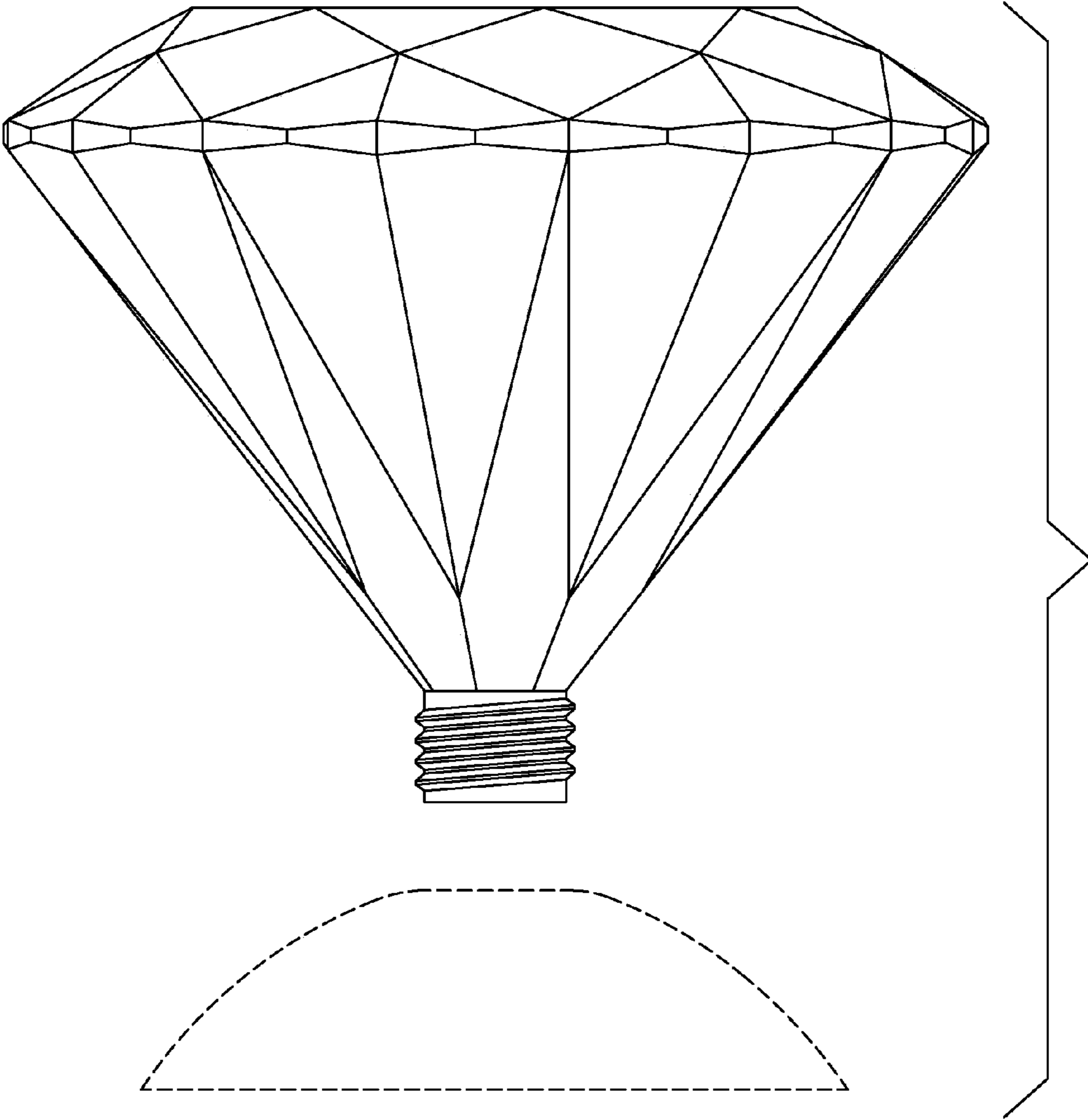


FIG. 4

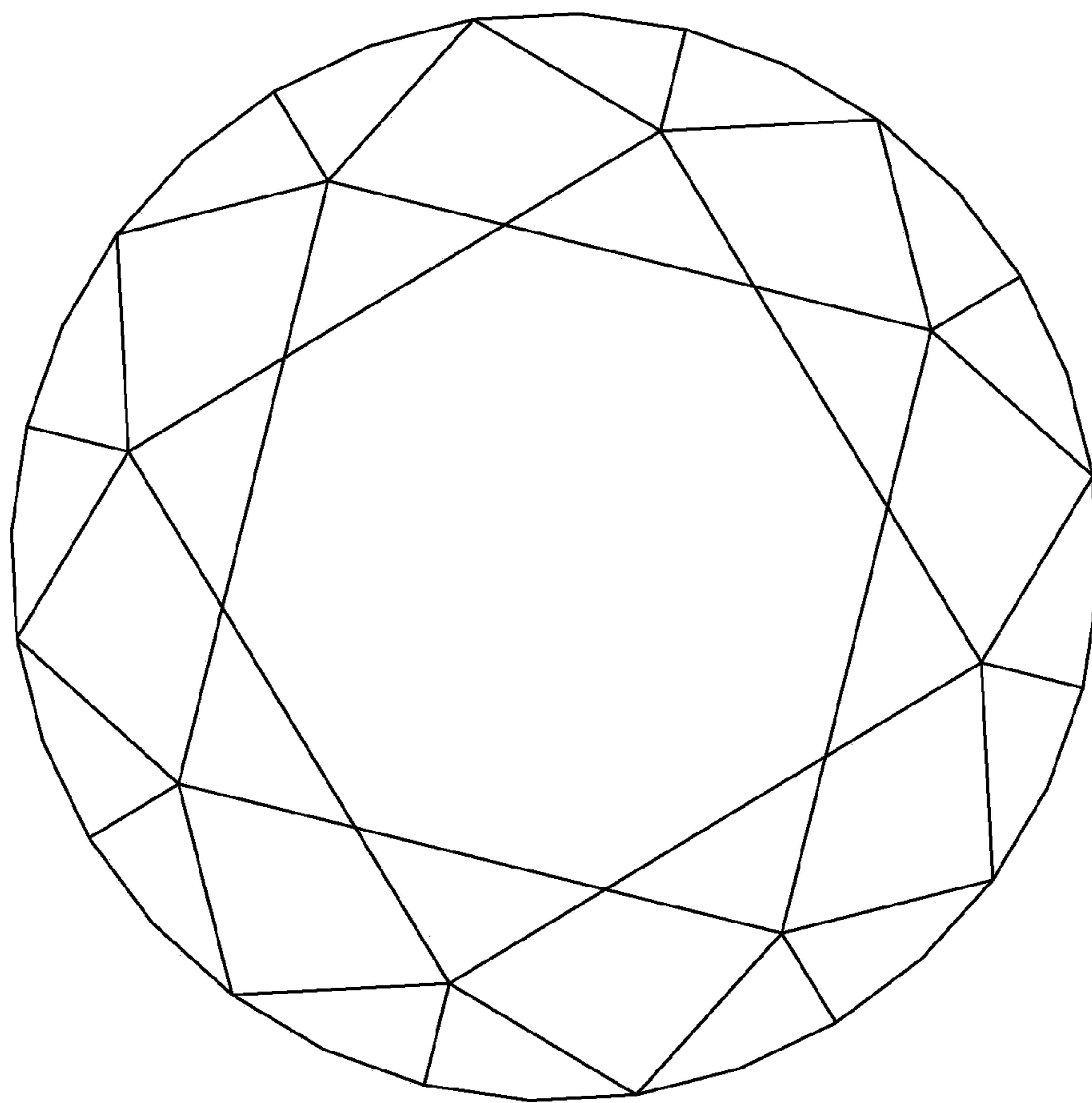


FIG. 5

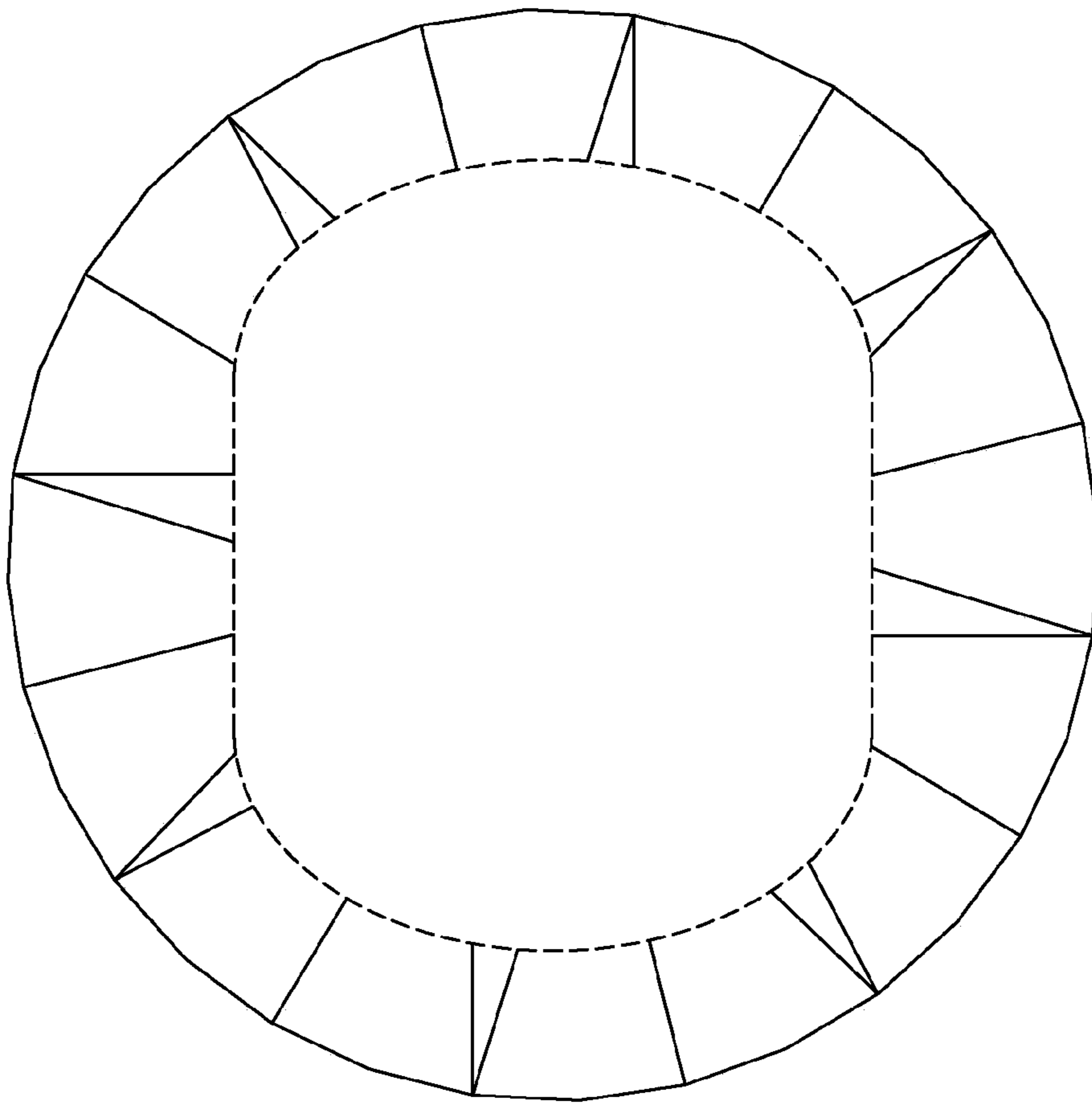


FIG. 6

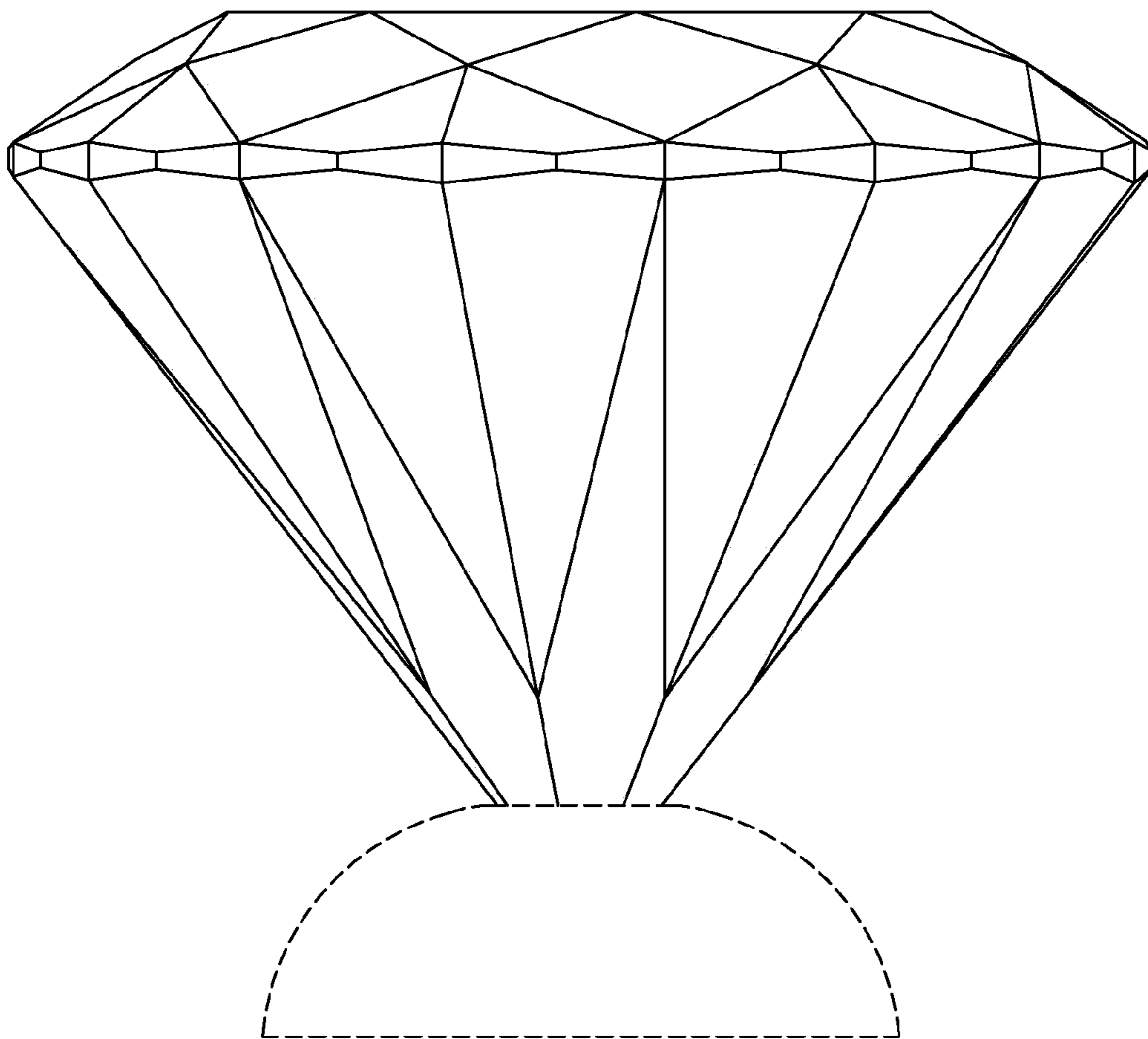


FIG. 7

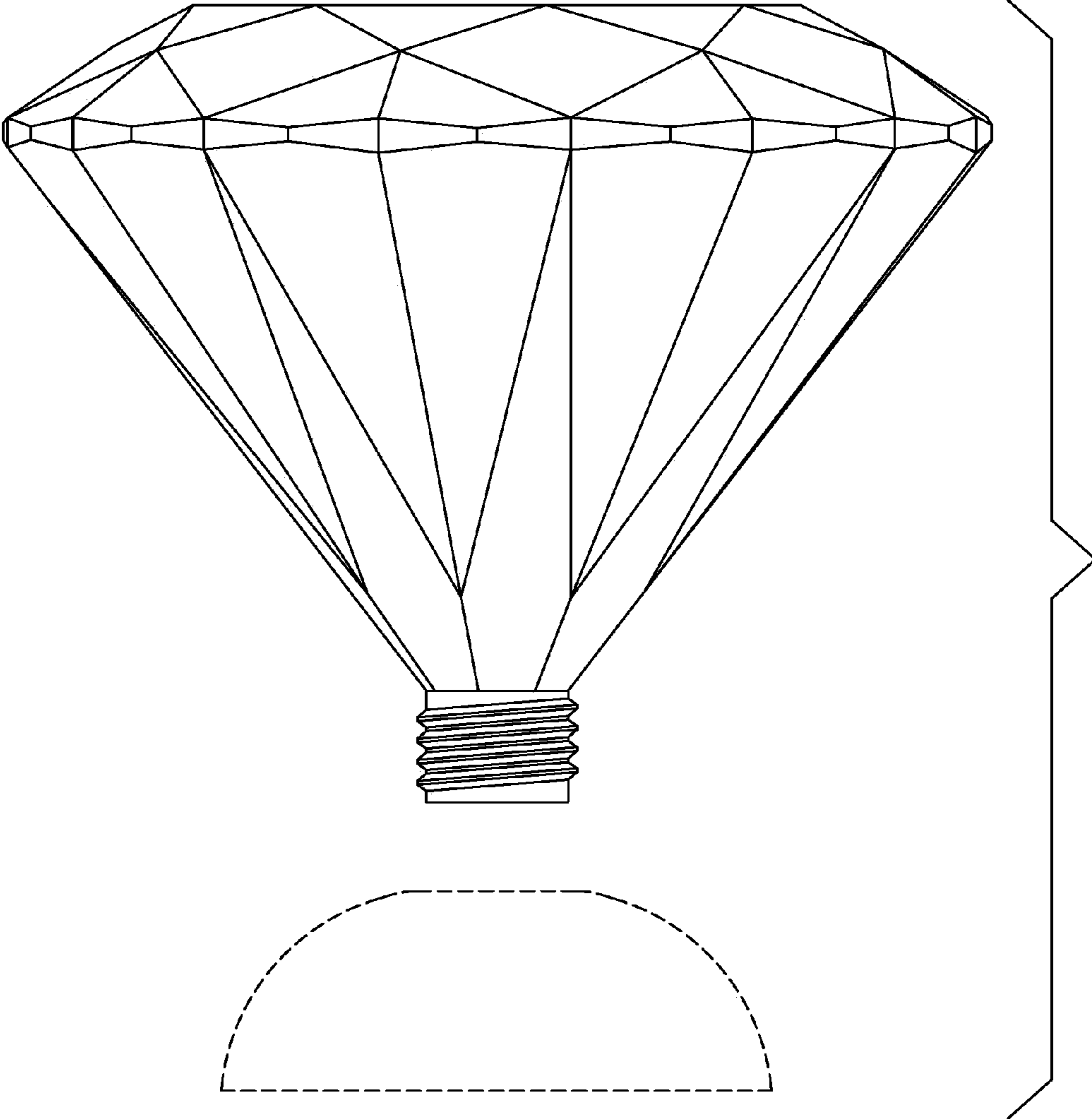


FIG. 8