



US00D714649S

(12) **United States Design Patent**
Boon

(10) **Patent No.:** **US D714,649 S**
(45) **Date of Patent:** **** Oct. 7, 2014**

(54) **BOTTLE**
(75) Inventor: **Yen Heng Boon**, Shanghai (CN)
(73) Assignee: **Tropicana Products, Inc.**, Bradenton, FL (US)
(**) Term: **14 Years**

D527,643 S * 9/2006 Gottlieb D9/538
D548,106 S 8/2007 Martinez et al.
D555,499 S 11/2007 Ross et al.
D591,609 S * 5/2009 Shmagin D9/551
D619,474 S 7/2010 Finlay et al.
7,748,551 B2 * 7/2010 Gatewood et al. 215/381
D652,731 S * 1/2012 Pritchett et al. D9/538
8,286,814 B2 * 10/2012 Pritchett, Jr. 215/381
2006/0186082 A1 * 8/2006 Gatewood et al. 215/381

(21) Appl. No.: **29/415,787**
(22) Filed: **Mar. 14, 2012**
(51) **LOC (10) Cl.** **09-01**
(52) **U.S. Cl.**
USPC **D9/538; D9/520; D9/553**
(58) **Field of Classification Search**
USPC D9/500–504, 520, 537–559, 563–566;
215/381–384
See application file for complete search history.

FOREIGN PATENT DOCUMENTS

WO DM/061560 10/2002

* cited by examiner

Primary Examiner — Sandra Morris
(74) *Attorney, Agent, or Firm* — Banner & Witcoff, Ltd.

(57) **CLAIM**
The ornamental design for a bottle, as shown and described.

(56) **References Cited**

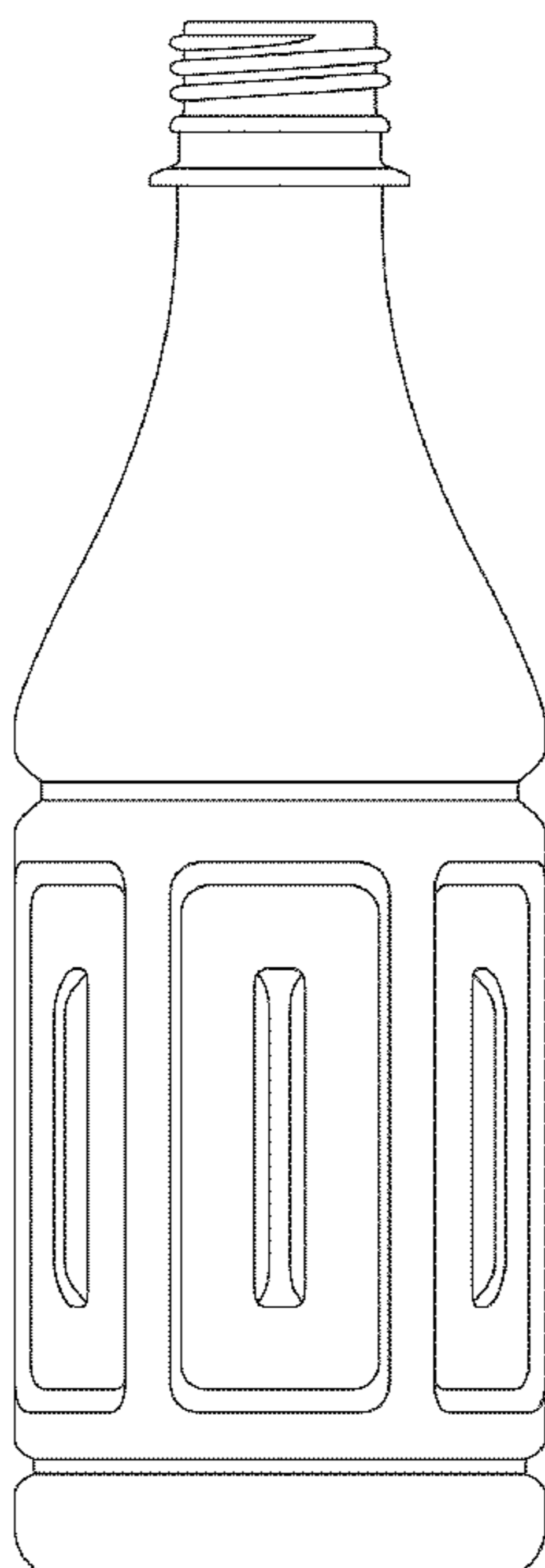
U.S. PATENT DOCUMENTS

D315,869 S * 4/1991 Collette D9/551
5,092,475 A * 3/1992 Krishnakumar et al. 215/381
D352,245 S * 11/1994 Krishnakumar et al. D9/538
D397,614 S * 9/1998 Krishnakumar et al. D9/520
D411,453 S * 6/1999 Piccioli et al. D9/520
D419,882 S * 2/2000 Bretz et al. D9/520
D430,493 S * 9/2000 Weick D9/537
D434,330 S * 11/2000 Rowe et al. D9/538
D469,696 S 2/2003 Bryant et al.
6,585,125 B1 * 7/2003 Peek 215/381
D486,391 S * 2/2004 Lux et al. D9/502
D497,551 S * 10/2004 Gamel et al. D9/538

DESCRIPTION

FIG. 1 is a top, front, right perspective view of a bottle showing my new design;
FIG. 2 is a front view thereof;
FIG. 3 is a right side view thereof;
FIG. 4 is a rear view thereof;
FIG. 5 is a left side view thereof;
FIG. 6 is a top view thereof;
FIG. 7 is a bottom view thereof; and,
FIG. 8 is a bottom perspective view thereof.

1 Claim, 7 Drawing Sheets



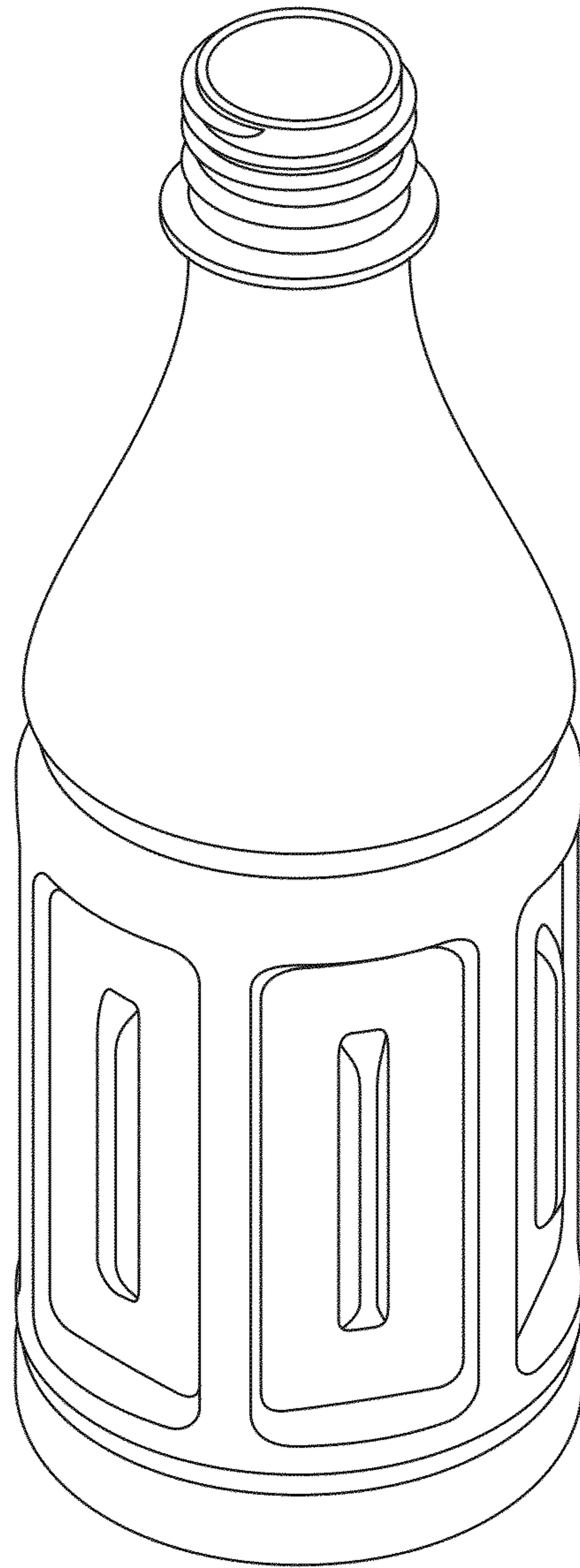


FIG. 1

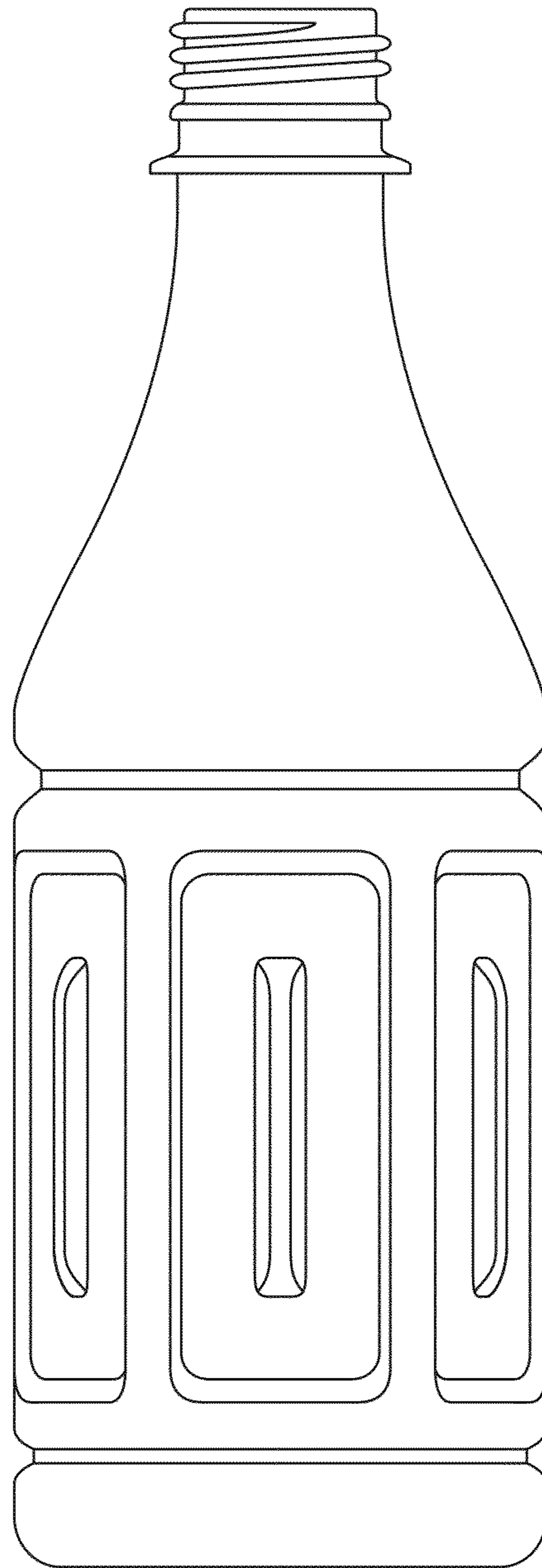


FIG. 2

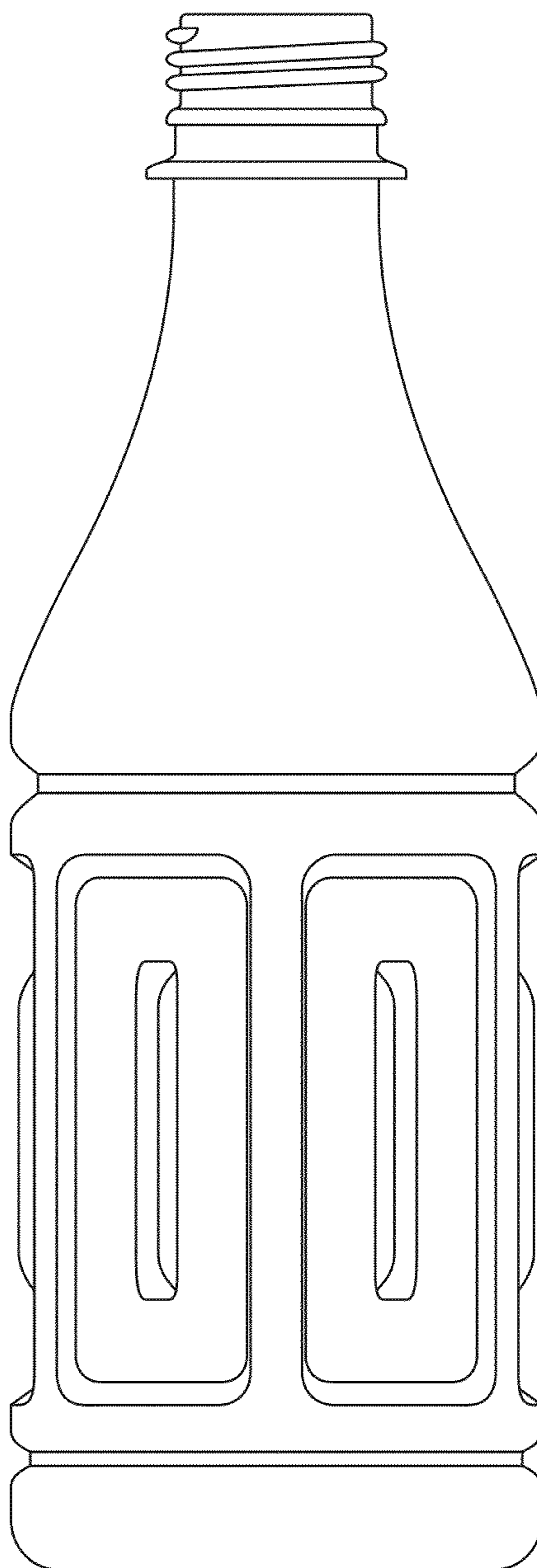


FIG. 3

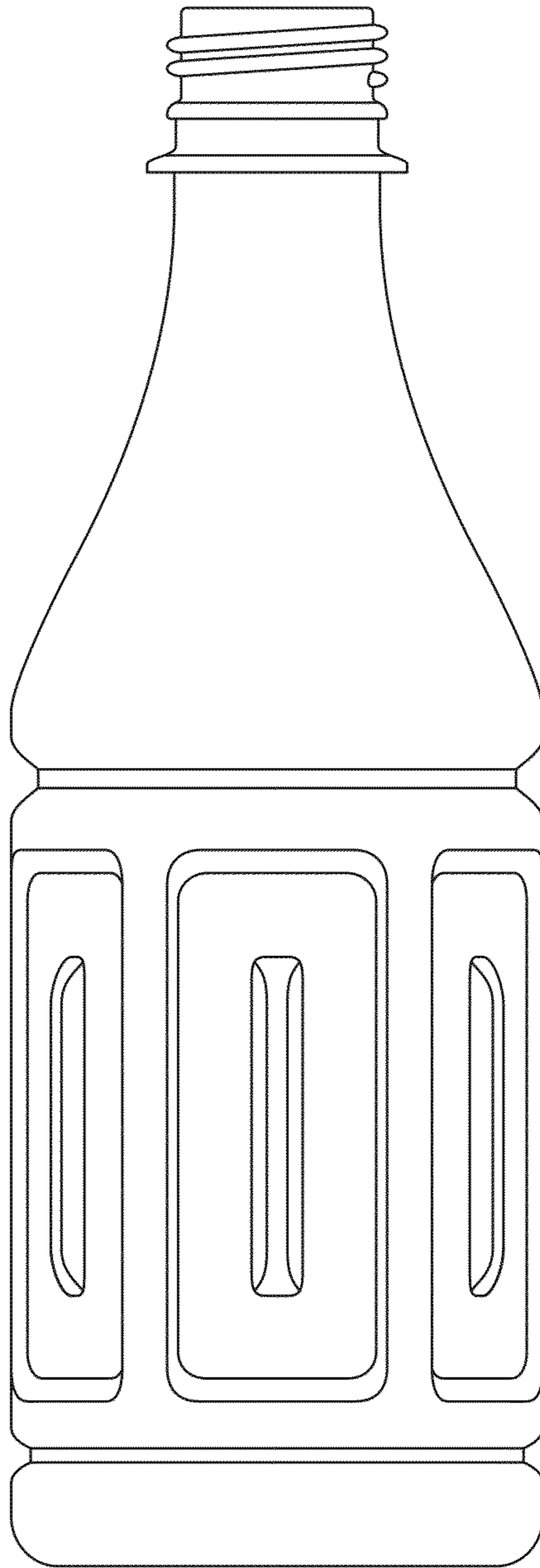


FIG. 4

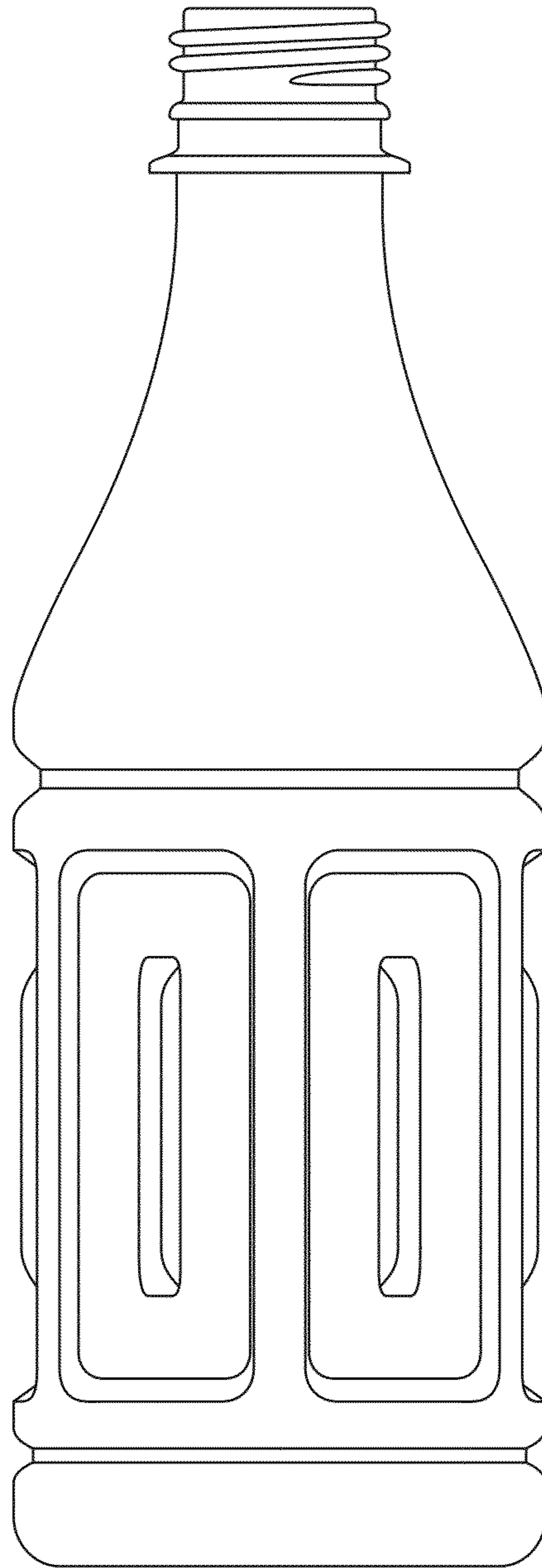


FIG. 5

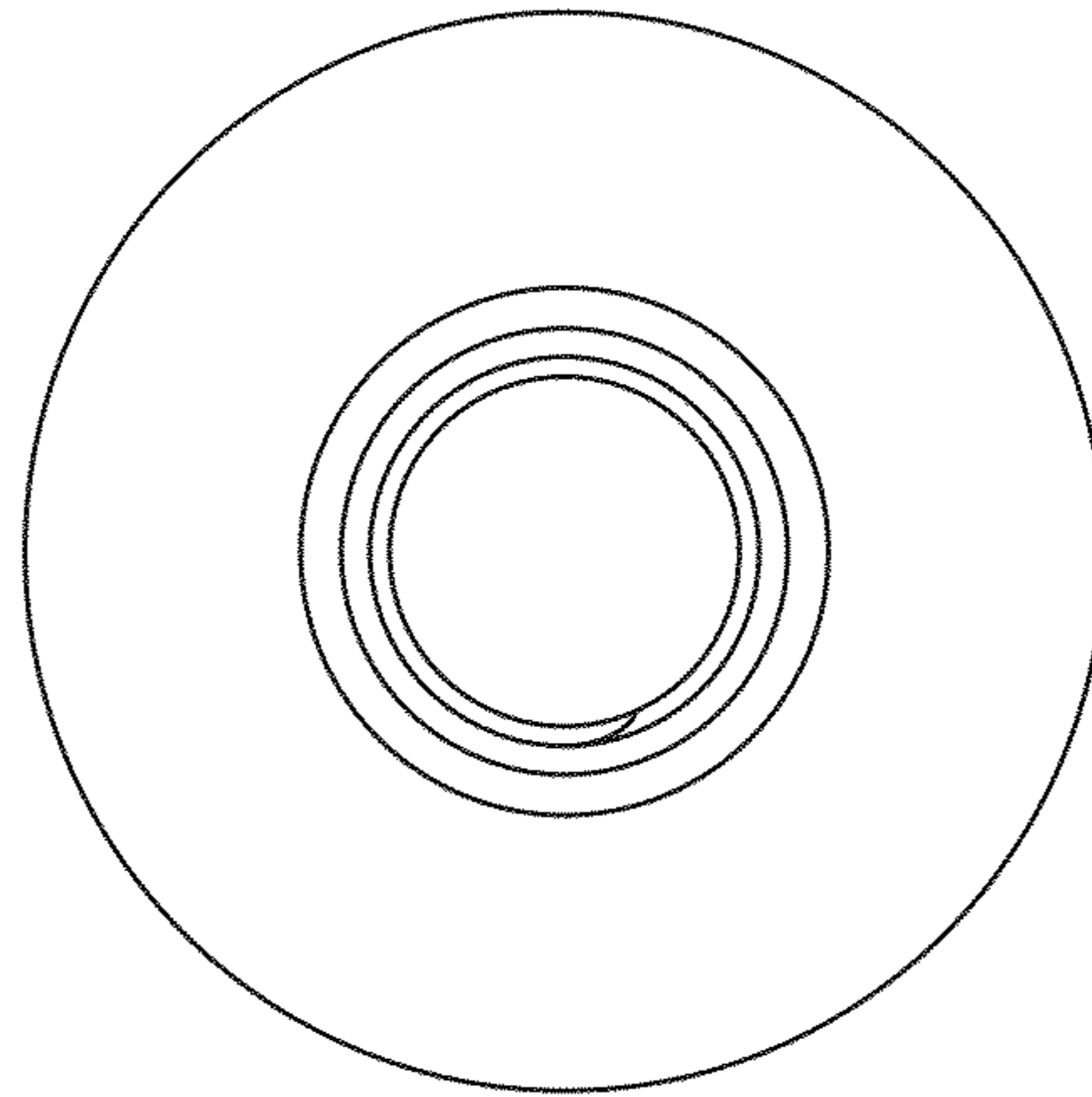


FIG. 6

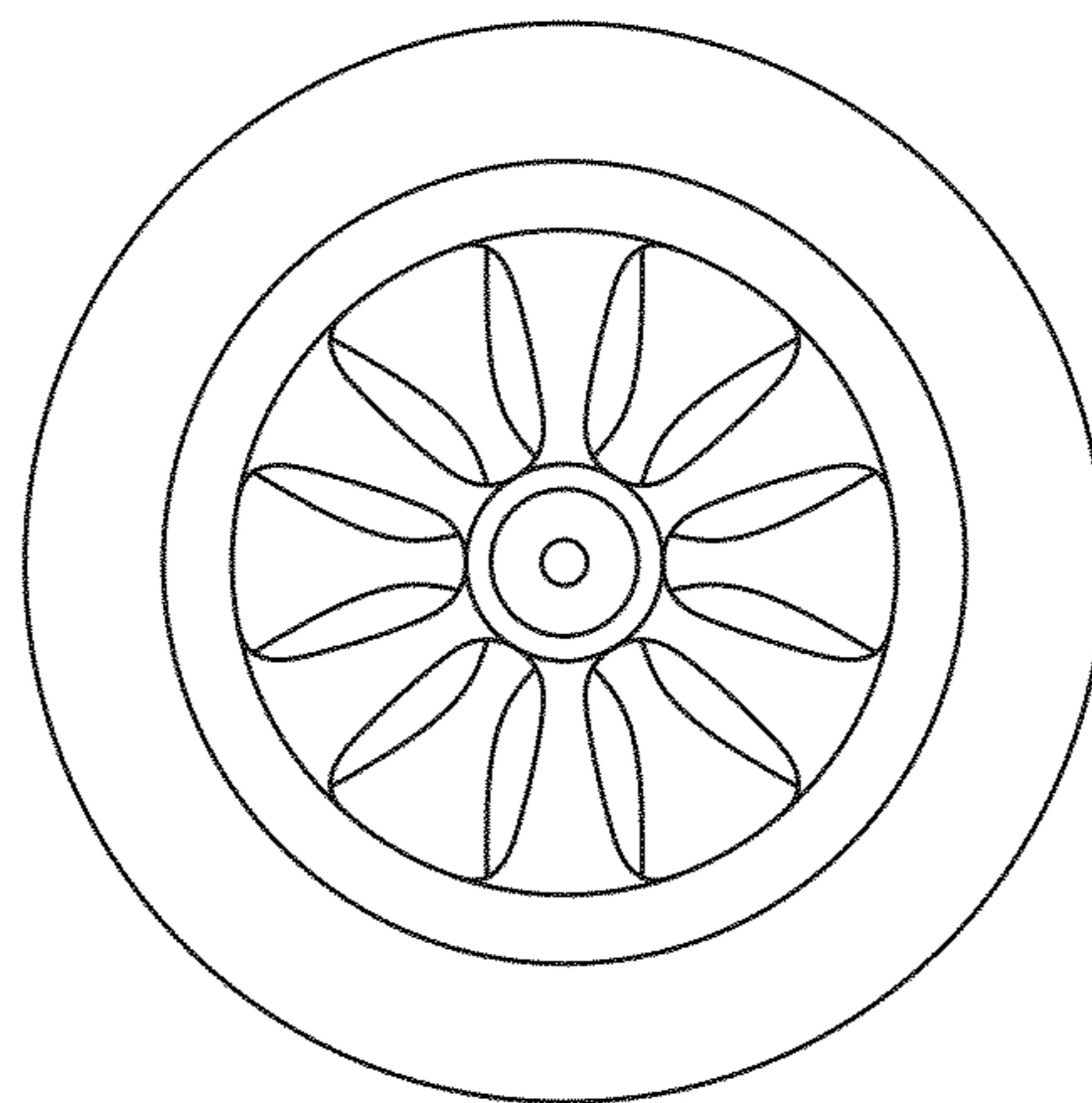


FIG. 7

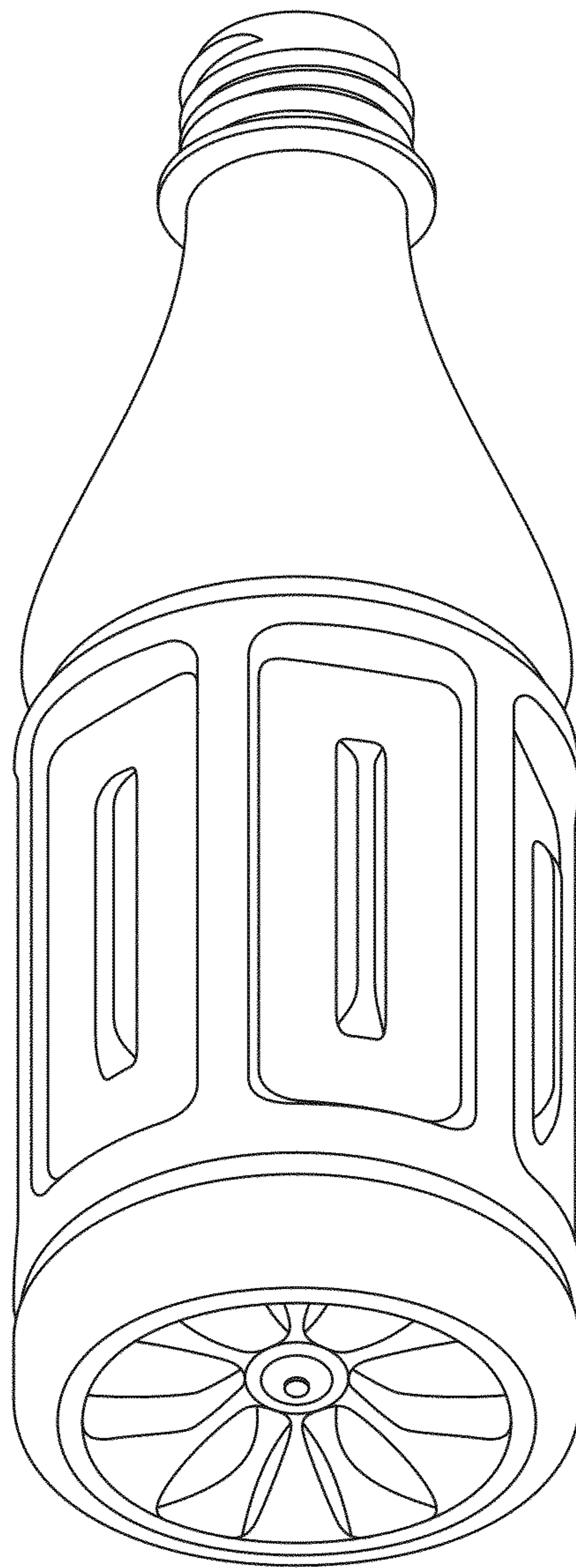


FIG. 8