



US00D714646S

(12) **United States Design Patent**
Libman et al.

(10) **Patent No.:** **US D714,646 S**
(45) **Date of Patent:** **** Oct. 7, 2014**

(54) **BOTTLE**

(75) Inventors: **Andrew D. Libman**, Champaign, IL
(US); **Steven R. Kroplewski**, Roselle, IL
(US)

(73) Assignee: **The Libman Company**, Arcola, IL (US)

(**) Term: **14 Years**

(21) Appl. No.: **29/430,290**

(22) Filed: **Aug. 23, 2012**

(51) **LOC (10) Cl.** **09-01**

(52) **U.S. Cl.**

USPC **D9/523**; D9/575

(58) **Field of Classification Search**

CPC B65D 1/00; B65D 1/02; B65D 1/0223;
B65D 1/40; B65D 23/00; B65D 23/003;
B65D 25/00

USPC D9/516, 522–523, 528, 530–531, 535,
D9/543, 560, 571, 575; D32/23, 30;
215/379, 381–384, 385; 220/660, 669,
220/675–676

See application file for complete search history.

(56) **References Cited**

U.S. PATENT DOCUMENTS

D201,791	S	*	8/1965	Hershberger et al.	D32/30
D288,173	S	*	2/1987	Mednis	D9/523
D288,174	S	*	2/1987	Mednis	D9/523
D288,175	S	*	2/1987	Mednis	D9/523
4,640,423	A	*	2/1987	Mednis	215/10
D288,530	S	*	3/1987	Hartung	D9/522
D288,781	S	*	3/1987	Mednis	D9/523
4,708,253	A	*	11/1987	Mednis	215/10
D297,711	S	*	9/1988	Mednis	D9/523
D307,390	S	*	4/1990	Mednis	D9/523
D356,542	S	*	3/1995	Finkiewicz et al.	D12/411
D387,673	S	*	12/1997	Crawford	D9/575
D388,708	S	*	1/1998	Monaghan	D9/523
D466,815	S	*	12/2002	Sweeton	D9/523

D483,270	S	*	12/2003	Bertucci et al.	D9/523
D517,414	S	*	3/2006	Abadinsky	D9/522
D520,376	S	*	5/2006	Nolle	D9/600
D601,429	S	*	10/2009	Handy	D9/545
D654,798	S	*	2/2012	Cota Castillo	D9/544
D682,110	S	*	5/2013	Gonzalez	D9/523
D692,304	S	*	10/2013	Cota Castillo	D9/523
2008/0295869	A1		12/2008	Schrivver et al.		

OTHER PUBLICATIONS

Rubbermaid Reveal Spray Mop Kit. Retrieved from Internet URL:
www.amazon.com/Rubbermaid-Reveal-Spray-Mop-
FG1M1600GRYRD/dp/B003UA7F46/ref=pd_sim_hg_1 on Nov.
14, 2012.

* cited by examiner

Primary Examiner — Ian Simmons

Assistant Examiner — Dana L Meyrow

(74) *Attorney, Agent, or Firm* — Philip L. Bateman

(57) **CLAIM**

The ornamental design for a bottle, as shown and described.

DESCRIPTION

FIG. 1 is a top, rear, and right side perspective view of a bottle showing my new design;

FIG. 2 is a front elevation view thereof;

FIG. 3 is a right side elevation view thereof;

FIG. 4 is a rear elevation view thereof;

FIG. 5 is a left side elevation view thereof;

FIG. 6 is a top plan view thereof;

FIG. 7 is a bottom plan view thereof, with the bottom surface of the bottle within the inner most broken lines disclaimed; and,

FIG. 8 is a perspective view thereof showing storage on a handle of a mop.

The interior of the neck of the bottle, as shown in FIGS. 1 and 6, and the interior of the bottom of the bottle, as shown in FIG. 7, are shown in broken lines and form no part of the claimed design.

The broken lines showing the cap and the mop in FIG. 8 are for illustrative purposes only and form no part of the claimed design.

1 Claim, 7 Drawing Sheets

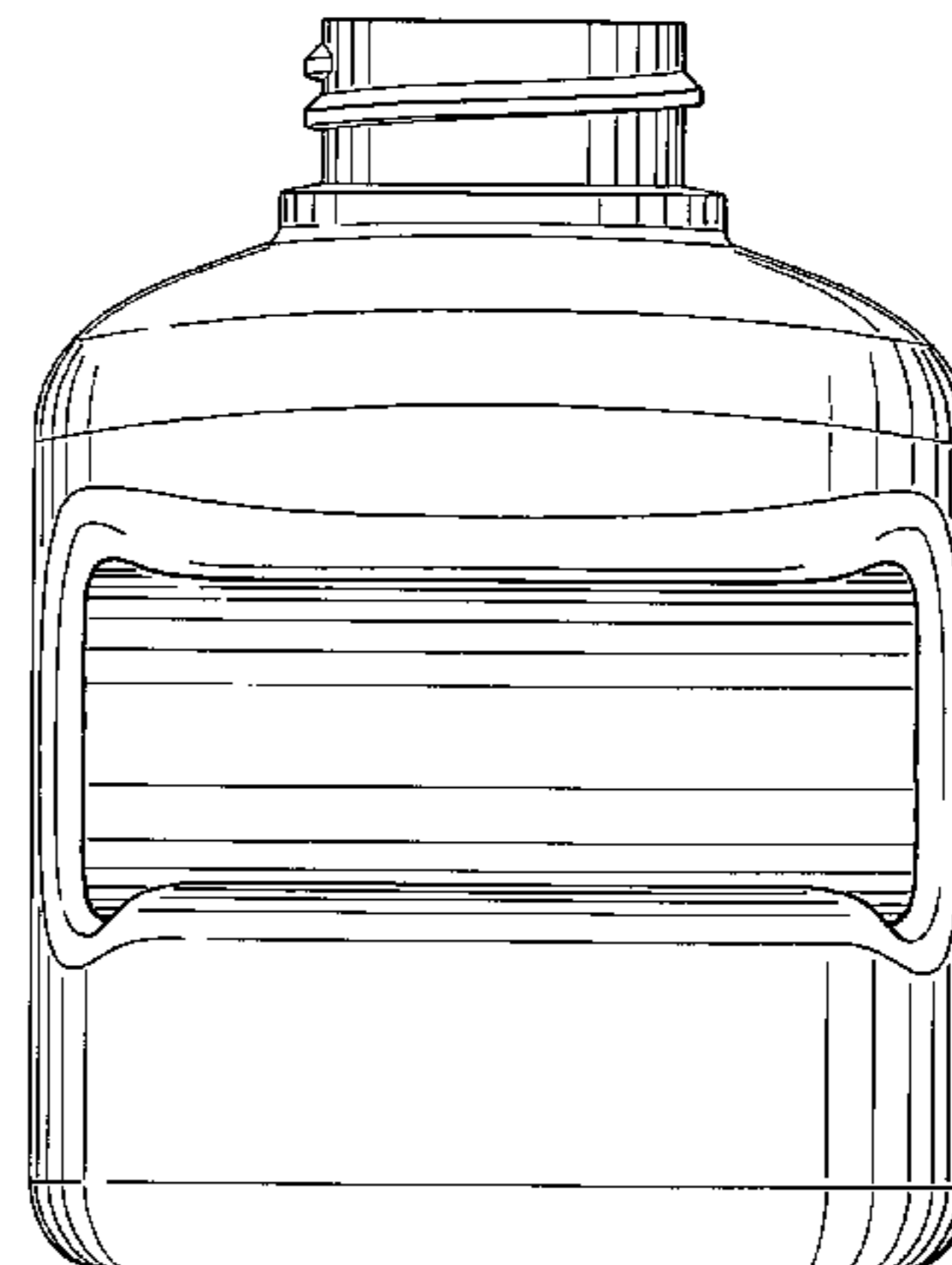
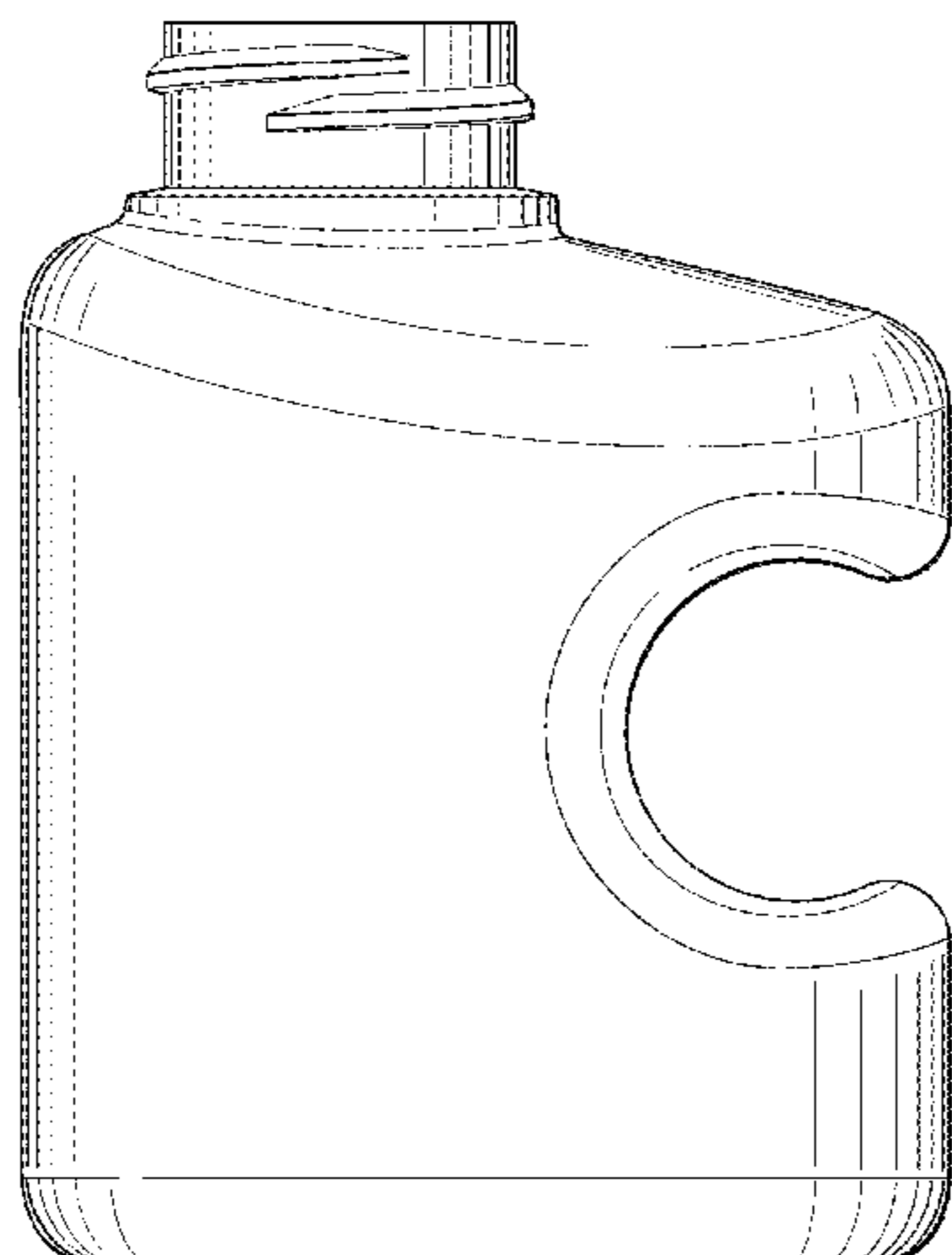


Fig. 1

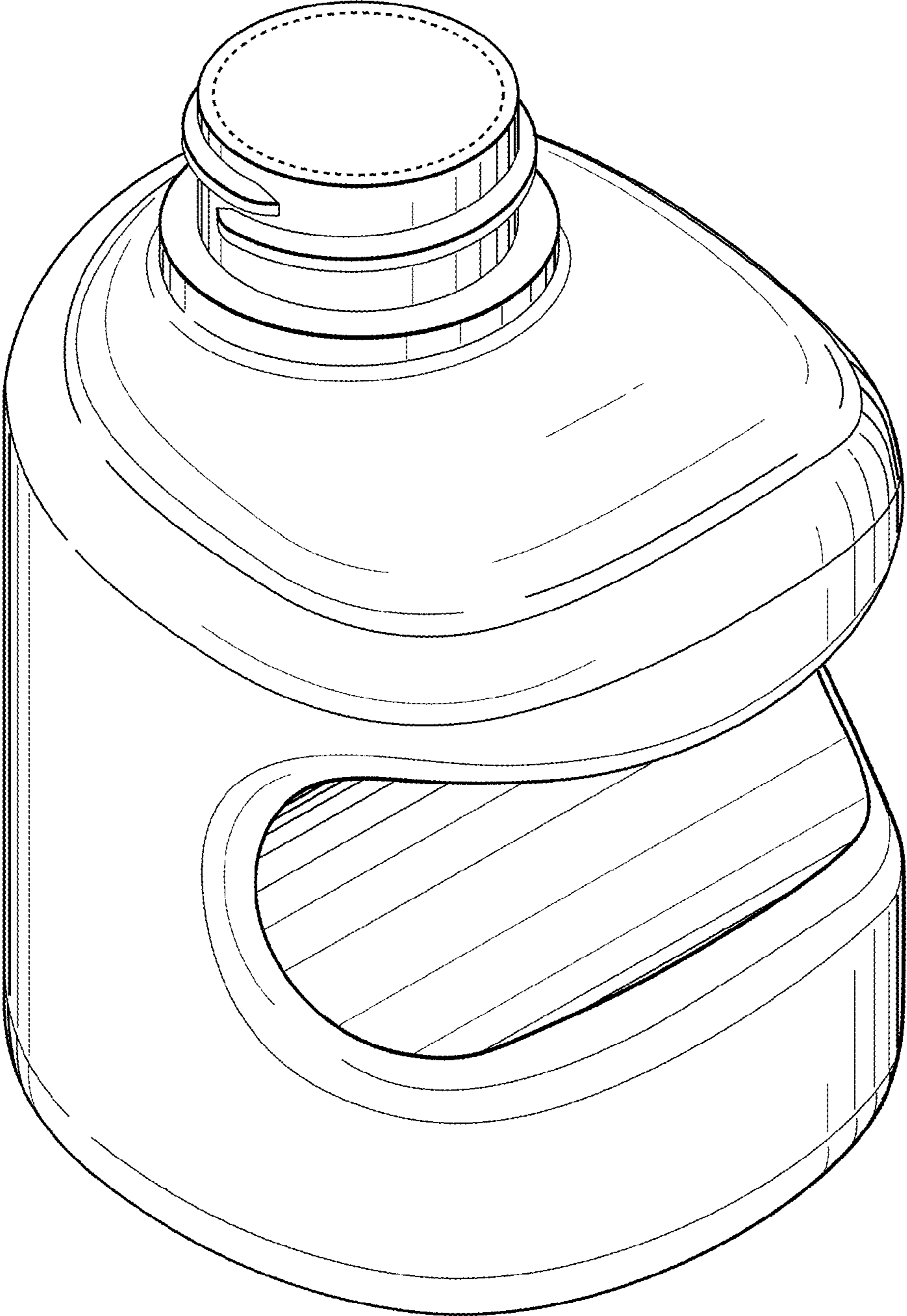


Fig. 2

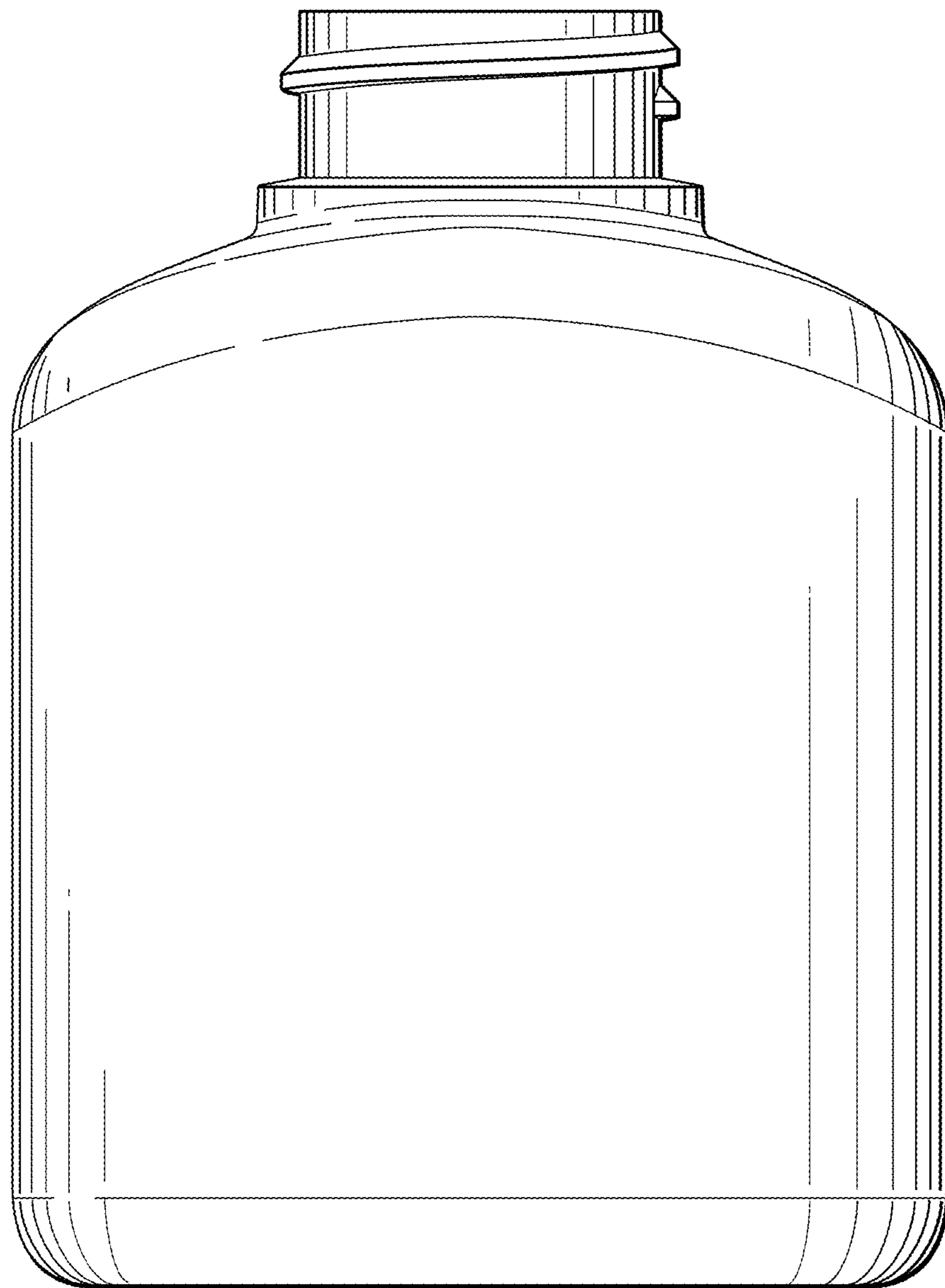


Fig. 3

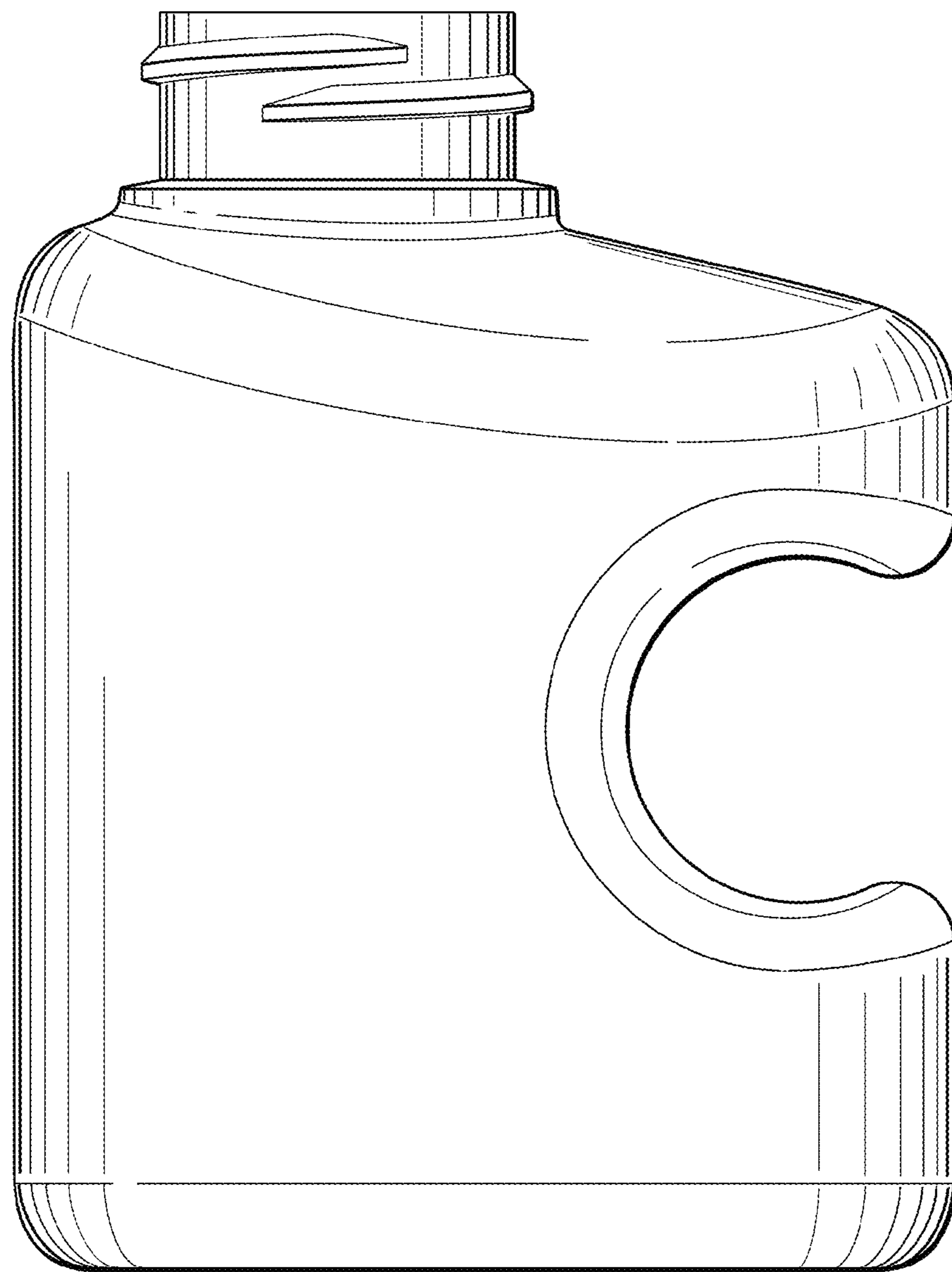


Fig. 4

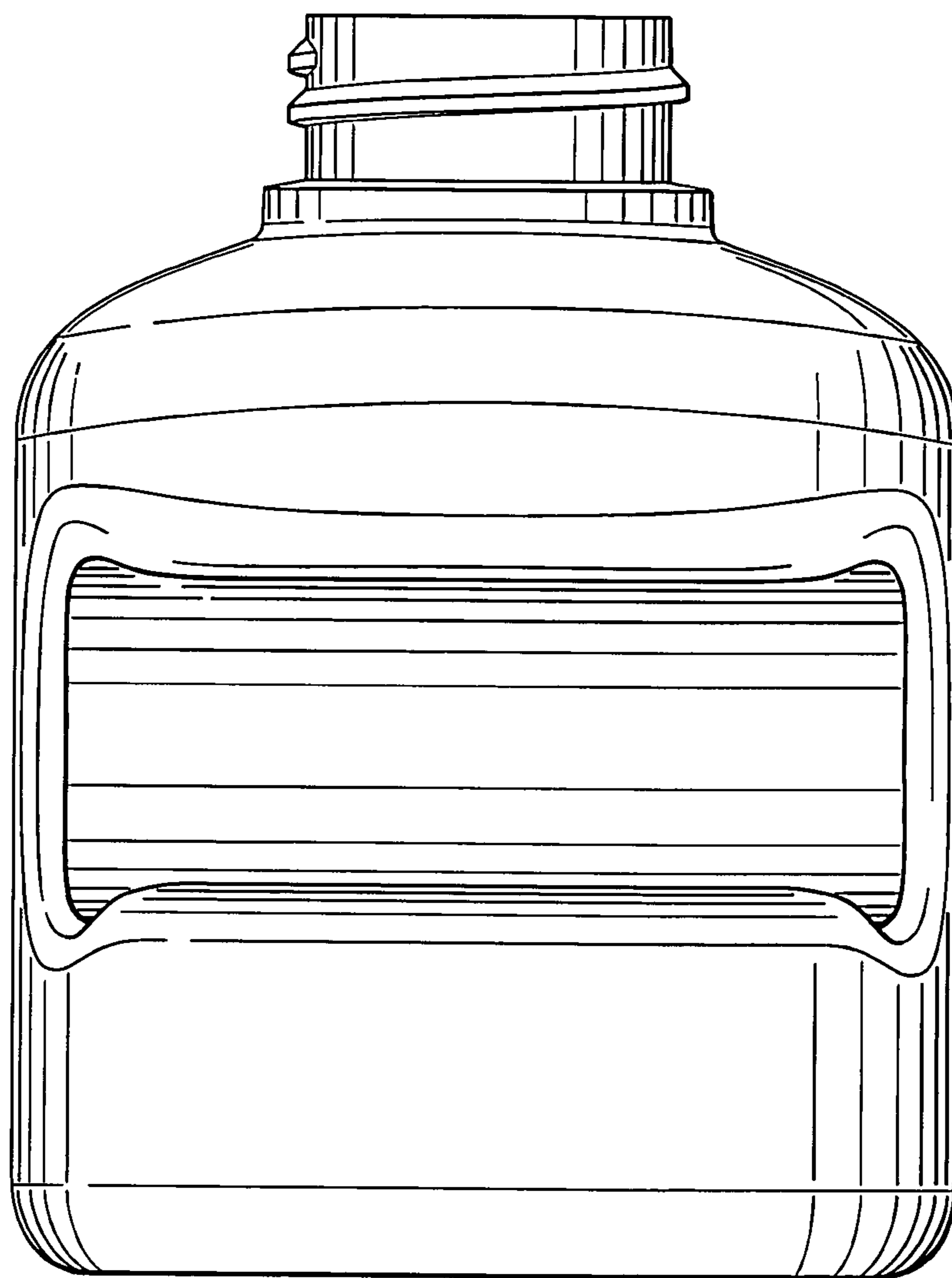


Fig. 5

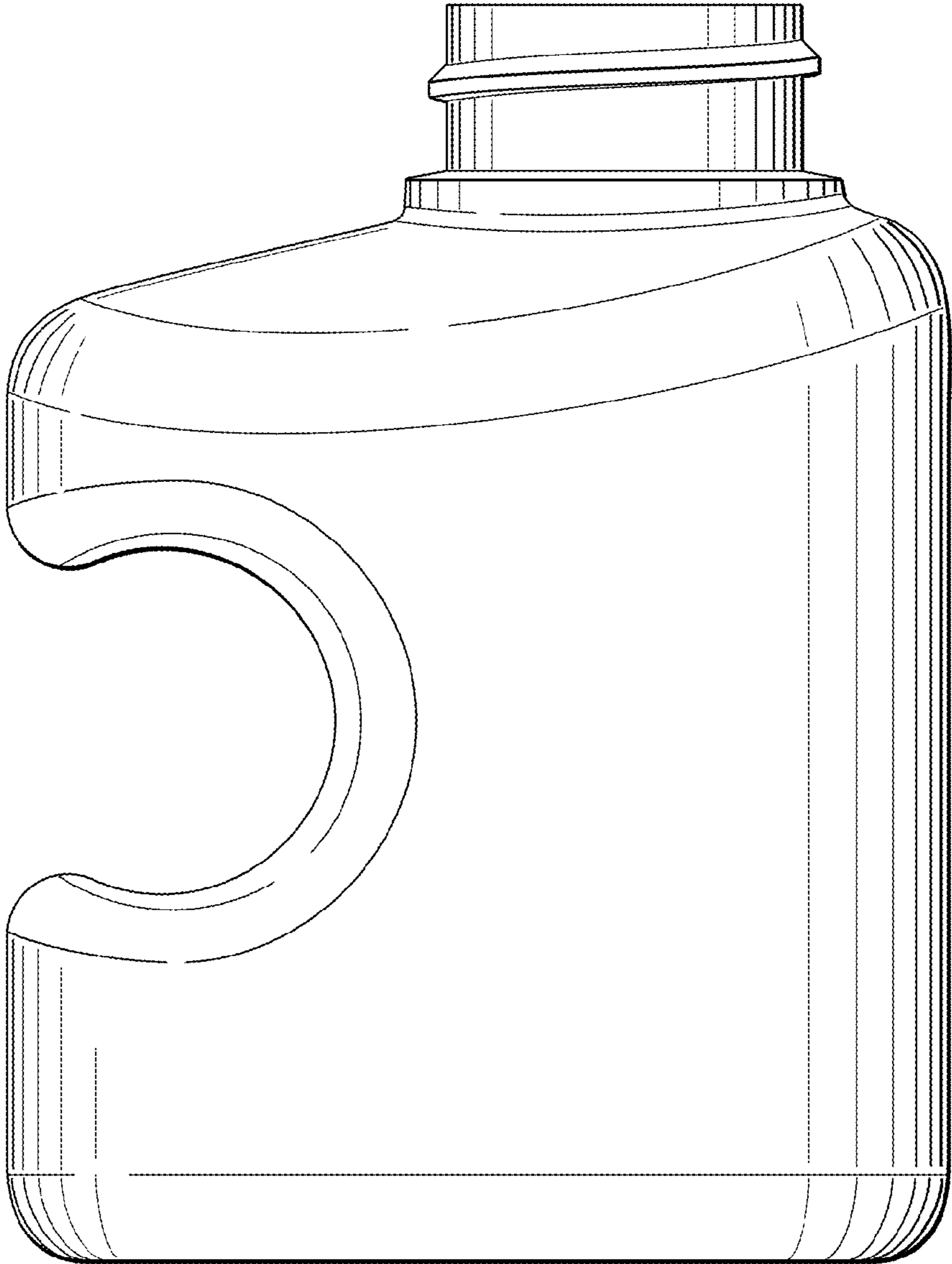


Fig. 6

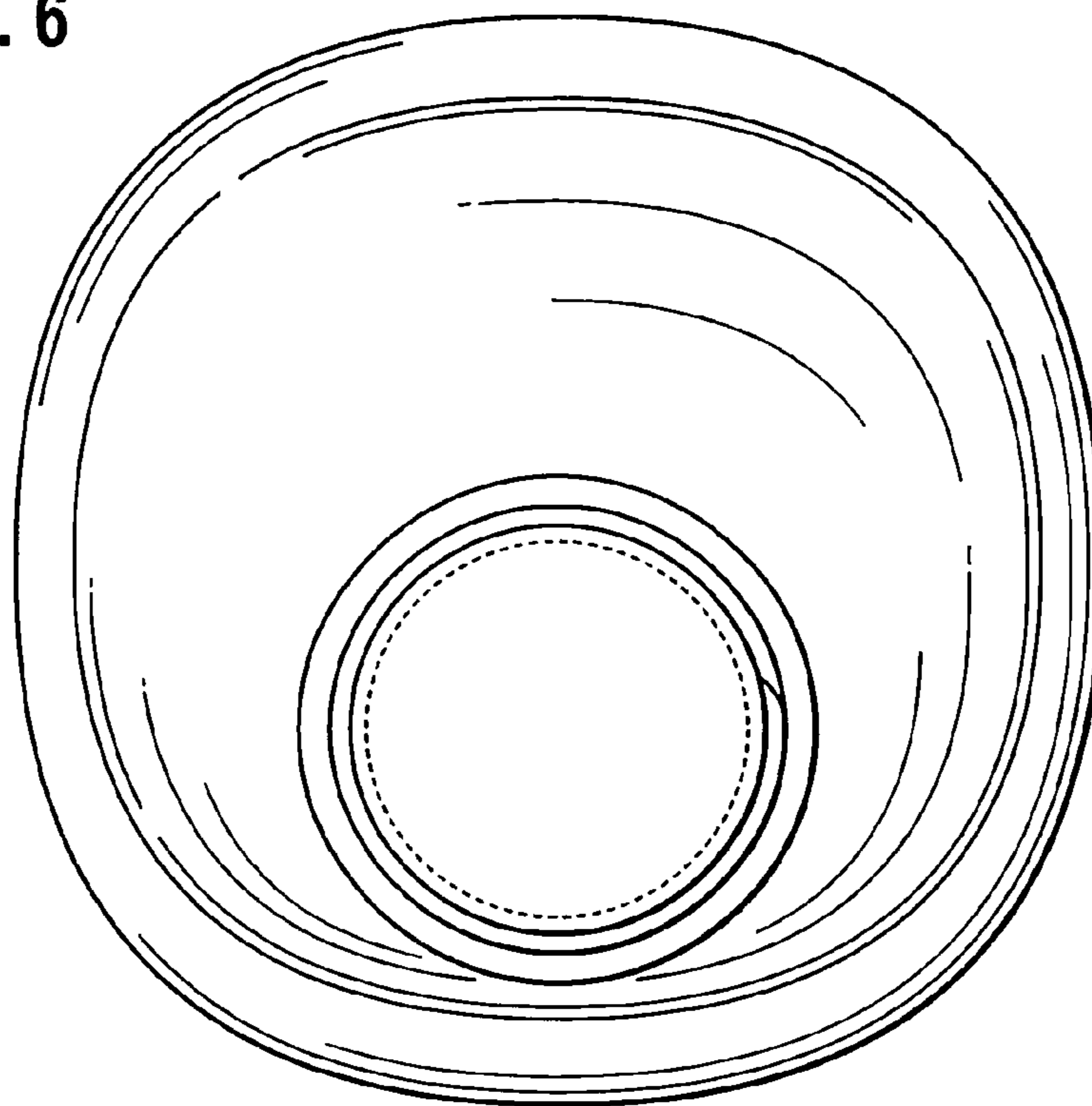


Fig. 7

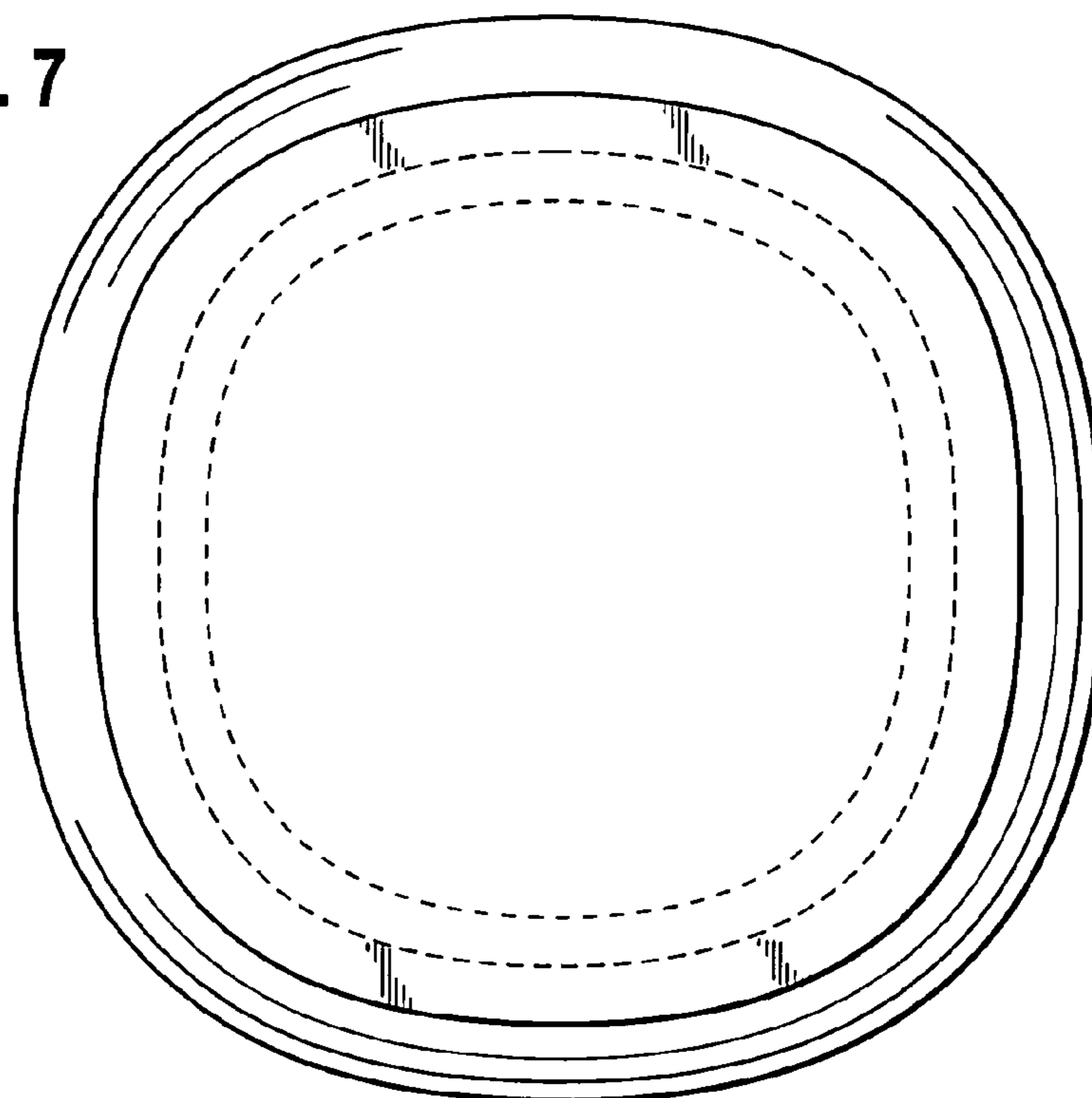


Fig. 8

