



US00D714643S

(12) **United States Design Patent**
Houdijk et al.

(10) **Patent No.:** **US D714,643 S**
(45) **Date of Patent:** **** Oct. 7, 2014**

(54) **GARMENT BOX INSERT**

FOREIGN PATENT DOCUMENTS

(75) Inventors: **Gijs Houdijk**, Eindhoven (NL); **Koen De Greef**, Eindhoven (NL); **Frits Stam**, Eindhoven (NL)

JP 6156557 A 6/1994

(73) Assignee: **United Parcel Service of America, Inc.**, Atlanta, GA (US)

OTHER PUBLICATIONS

International Searching Authority, International Search Report and Written Opinion for International Application No. PCT/US2012/042020, mailed Feb. 11, 2013, 12 pages, European Patent Office, The Netherlands.

(**) Term: **14 Years**

* cited by examiner

(21) Appl. No.: **29/424,423**

Primary Examiner — Robert M Spear

(22) Filed: **Jun. 12, 2012**

(74) *Attorney, Agent, or Firm* — Alston & Bird LLP

(51) **LOC (10) Cl.** **09-07**

(52) **U.S. Cl.**
USPC **D9/456**

(58) **Field of Classification Search**
CPC B65D 25/00; B65D 85/18
USPC D9/430, 431, 432, 433, 434, 456, 499;
220/579; 223/71

See application file for complete search history.

(57) **CLAIM**

The ornamental design for a garment box insert, as shown and described.

DESCRIPTION

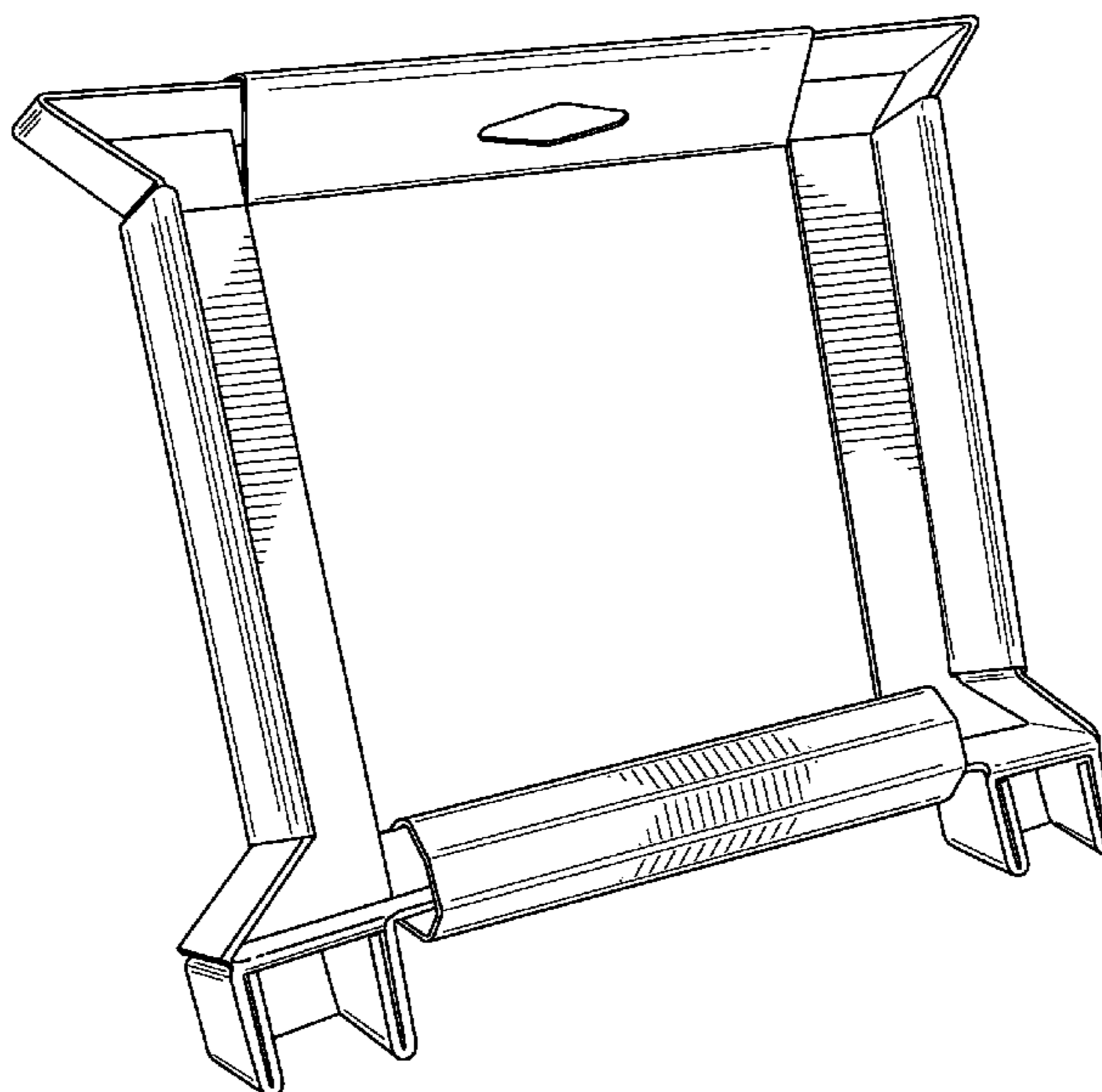
FIG. 1 is a perspective view of a garment box insert according to a first embodiment of the present design; FIG. 2 is a front view of the garment box insert shown in FIG. 1; FIG. 3 is a side view of the garment box insert shown in FIG. 1, the opposite side view being a mirror image thereof; FIG. 4 is a rear view of the garment box insert shown in FIG. 1; FIG. 5 is a top view of the garment box insert shown in FIG. 1; FIG. 6 is a bottom view of the garment box insert shown in FIG. 1; and, FIG. 7 is a perspective view of a garment box insert according to a second embodiment of the present design. The broken lines shown in the drawing disclosure are for illustrative purposes only and form no part of the claimed design.

(56) **References Cited**

U.S. PATENT DOCUMENTS

2,581,696	A *	1/1952	O'Reilly	223/71
2,620,950	A *	12/1952	Jacobson	223/71
2,743,045	A *	4/1956	Bartholome	223/71
3,087,659	A *	4/1963	Nolan	223/71
D256,675	S *	9/1980	Lubsen et al.	D9/456
4,318,472	A	3/1982	Nauheimer et al.	
D265,630	S *	8/1982	Wahlberg et al.	D9/456
4,942,683	A *	7/1990	Lawson	38/102.91
5,096,100	A *	3/1992	King et al.	223/84
5,505,298	A	4/1996	Dlugopolski	
6,155,415	A	12/2000	Runyan	
8,544,641	B1 *	10/2013	Houdijk et al.	206/279
2008/0087563	A1 *	4/2008	Kim	206/299
2010/0163453	A1 *	7/2010	Kim	206/769
2013/0346255	A1 *	12/2013	Hayden et al.	705/27.1

1 Claim, 5 Drawing Sheets



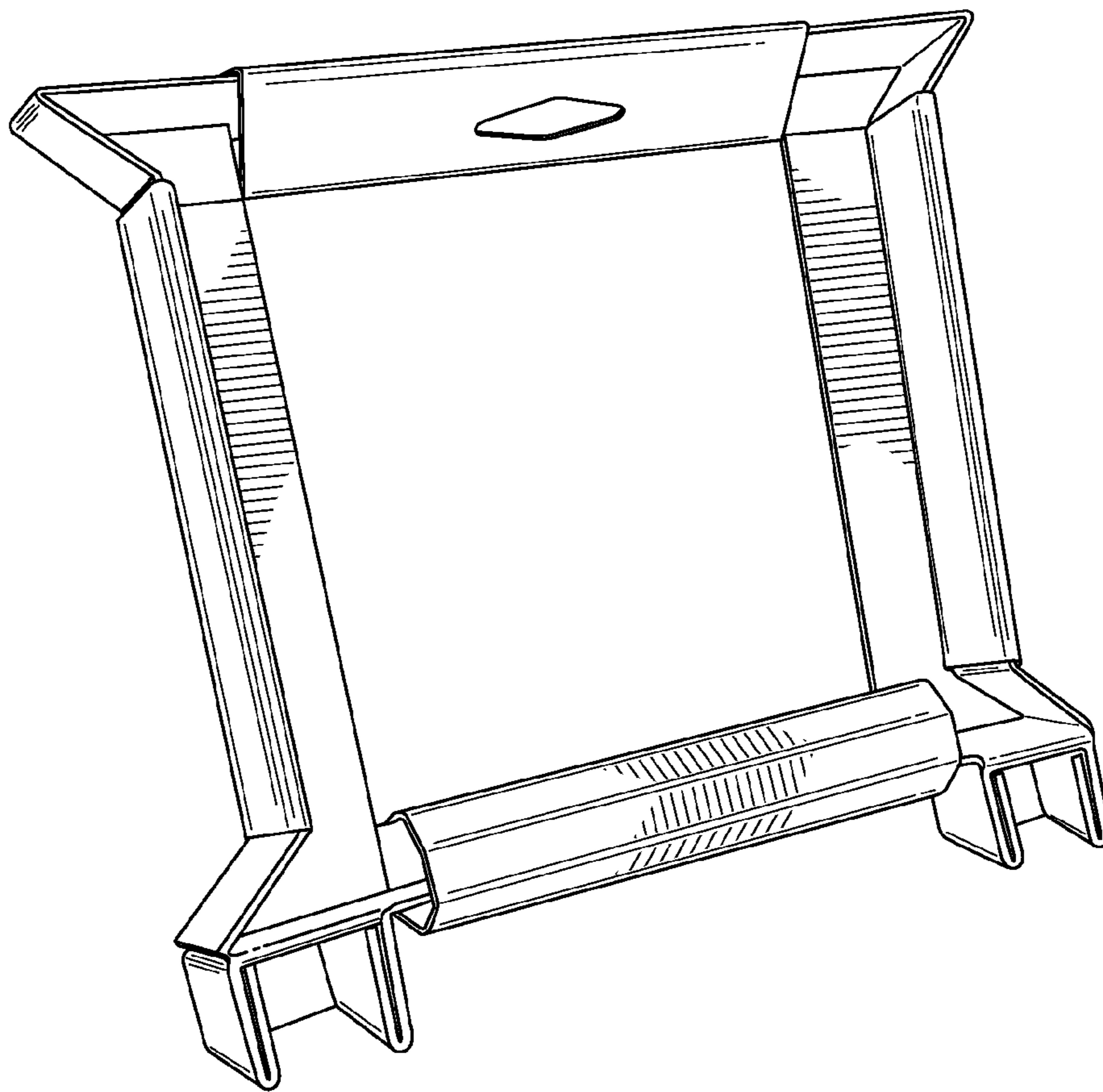


FIG. 1

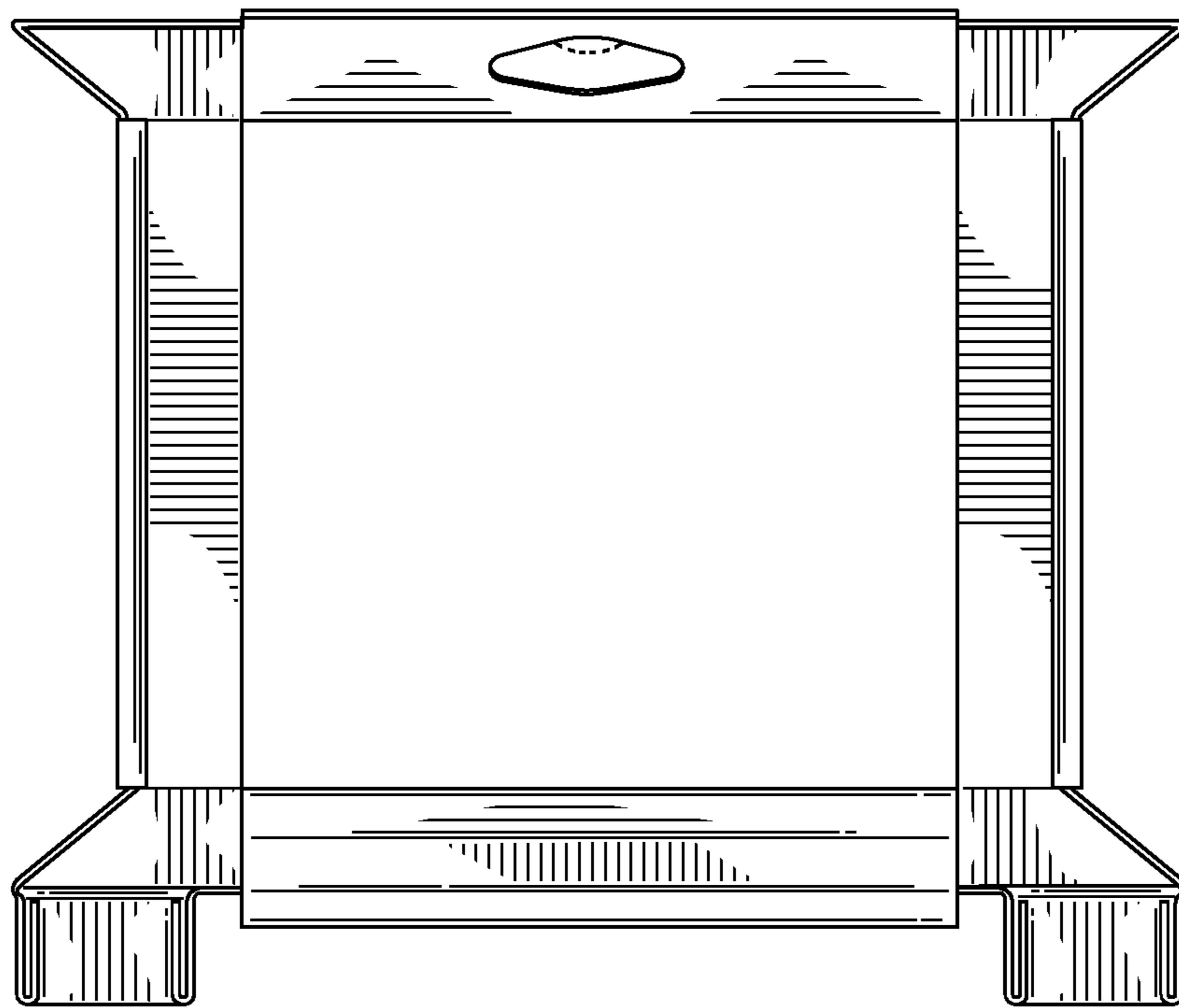


FIG. 2

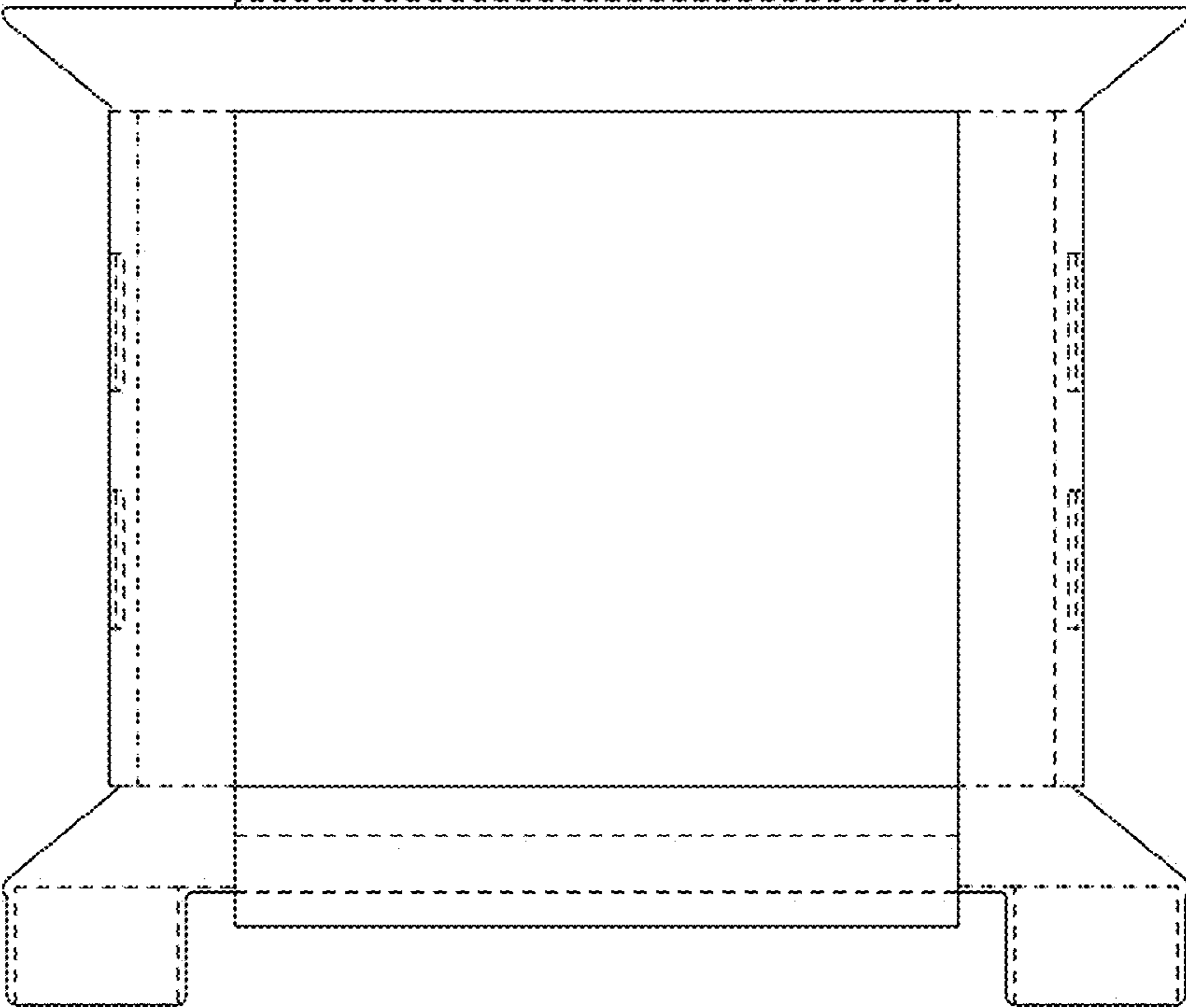


FIG. 3



FIG. 4

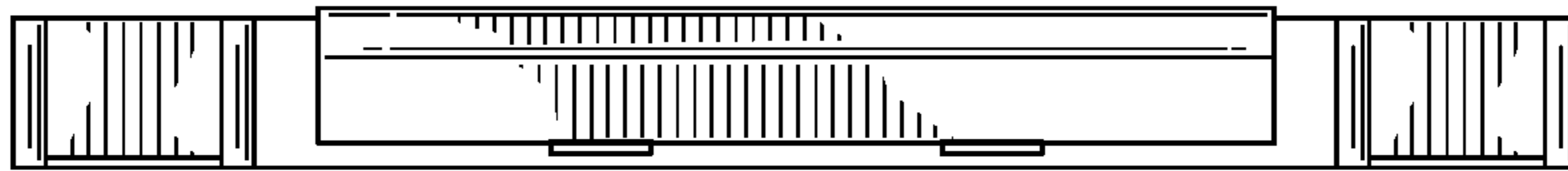


FIG. 5

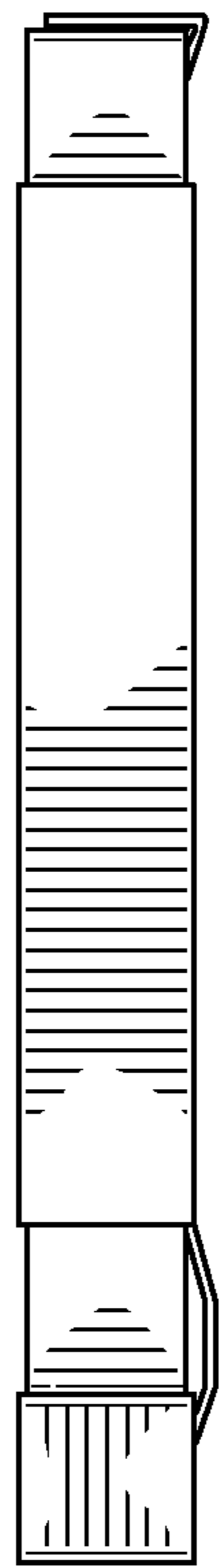


FIG. 6

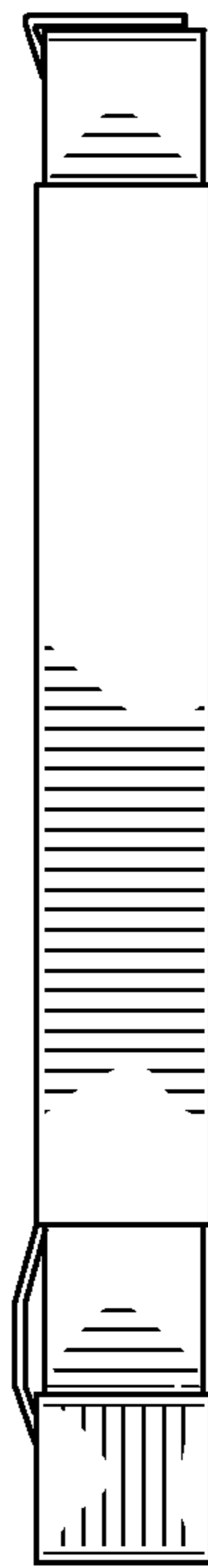


FIG. 7