



US00D714642S

(12) **United States Design Patent**
Wang

(10) **Patent No.:** **US D714,642 S**

(45) **Date of Patent:** **** *Oct. 7, 2014**

(54) **PUMP DISPENSER HEAD**

(75) Inventor: **Ya-Tsan Wang**, HsinChu (TW)

(73) Assignee: **Derjin (Hong Kong) Holding Company Limited**, Central (HK)

(*) Notice: This patent is subject to a terminal disclaimer.

(**) Term: **14 Years**

(21) Appl. No.: **29/429,495**

(22) Filed: **Aug. 13, 2012**

(51) **LOC (10) Cl.** **09-07**

(52) **U.S. Cl.**
USPC **D9/448**

(58) **Field of Classification Search**

USPC D9/724, 688, 686, 454, 450, 449, 448,
D9/447, 435, 434; D28/7; 239/333;
222/95, 536, 402.1, 153.14, 153.05,
222/153.04; 220/200; 215/200

See application file for complete search history.

(56) **References Cited**

U.S. PATENT DOCUMENTS

| | | | | | | |
|----------|---|---|---------|------------------|-------|--------|
| D436,863 | S | * | 1/2001 | Wadsworth et al. | | D9/448 |
| D438,798 | S | * | 3/2001 | Wadsworth | | D9/448 |
| D466,017 | S | * | 11/2002 | Kuo | | D9/448 |
| D499,966 | S | * | 12/2004 | Arminak | | D9/448 |
| D539,648 | S | * | 4/2007 | Arminak | | D9/448 |
| D568,154 | S | * | 5/2008 | Arminak | | D9/448 |
| D588,006 | S | * | 3/2009 | Boes et al. | | D9/448 |
| D600,553 | S | * | 9/2009 | Dubitsky et al. | | D9/448 |
| D628,481 | S | * | 12/2010 | Maddy | | D9/435 |

* cited by examiner

Primary Examiner — Susan Bennett Hattan

Assistant Examiner — Janice Hallmark

(74) *Attorney, Agent, or Firm* — C. G. Mersereau; Nikolai & Mersereau, P.A.

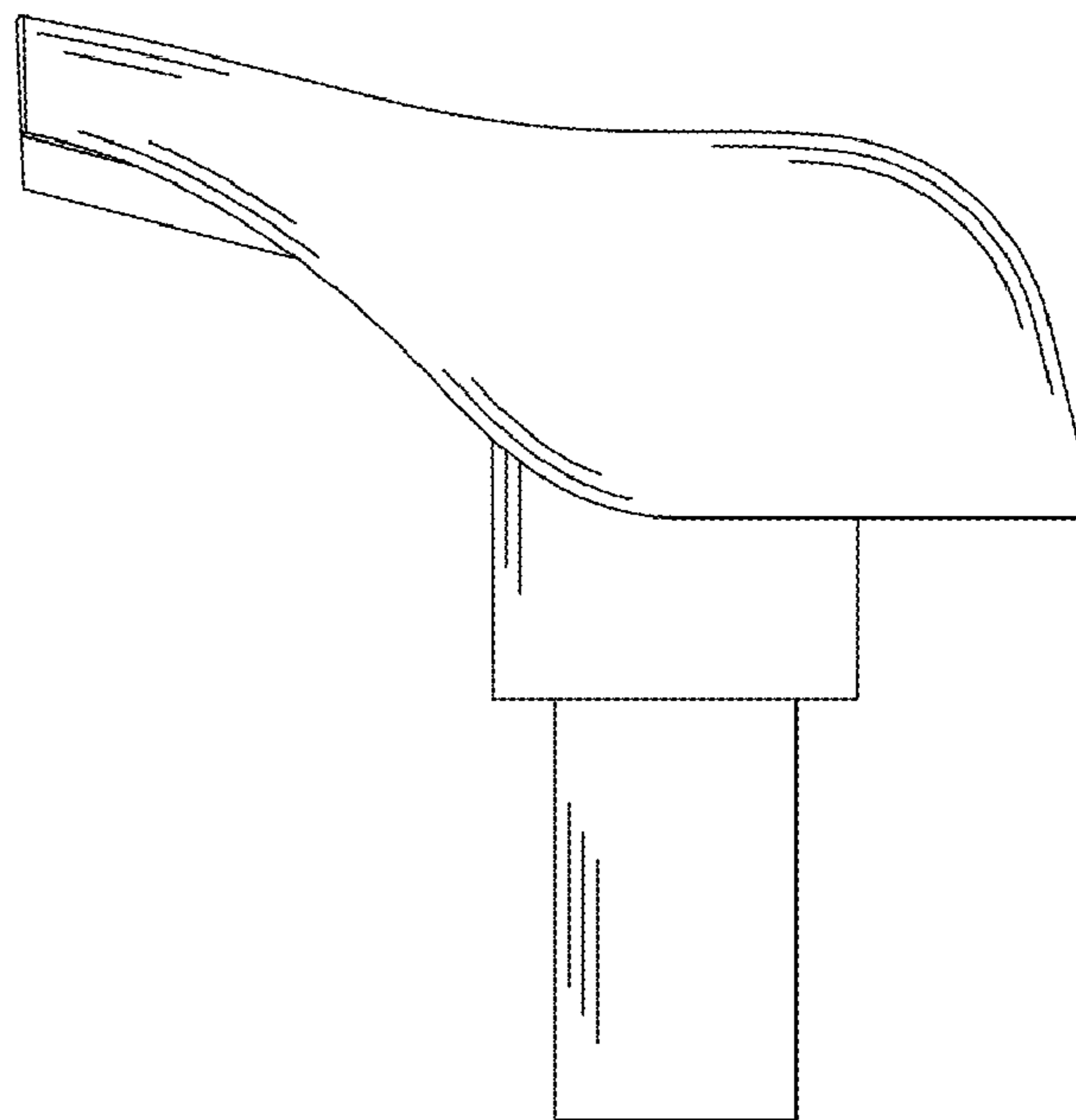
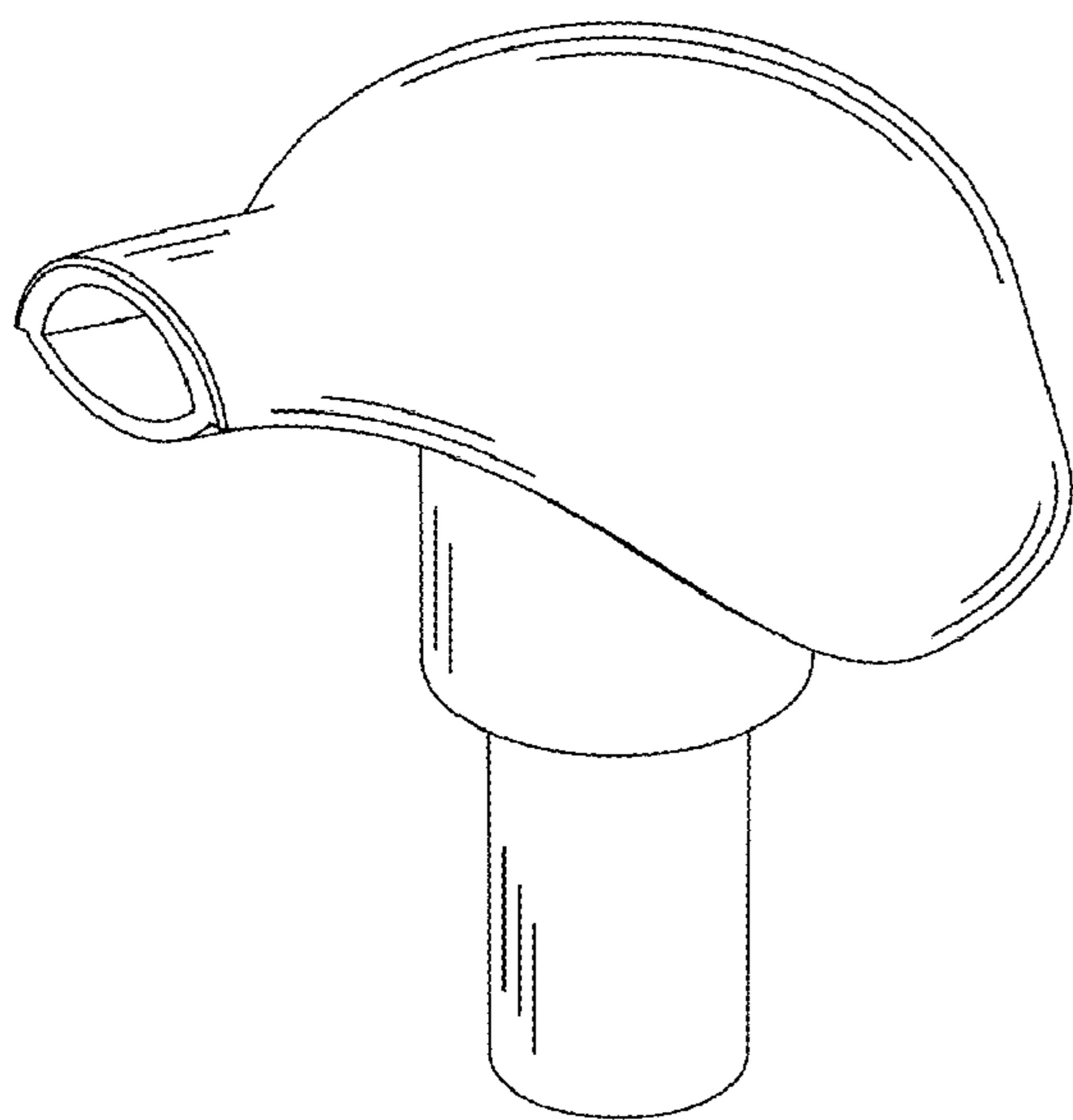
(57) **CLAIM**

The ornamental design for a pump dispenser head, as shown and described.

DESCRIPTION

FIG. 1 is a perspective view of a pump dispenser head; FIG. 2 is a front view thereof; FIG. 3 is a back view thereof; FIG. 4 is a left view thereof; FIG. 5 is a right view thereof; and, FIG. 6 is a top view thereof.

1 Claim, 4 Drawing Sheets



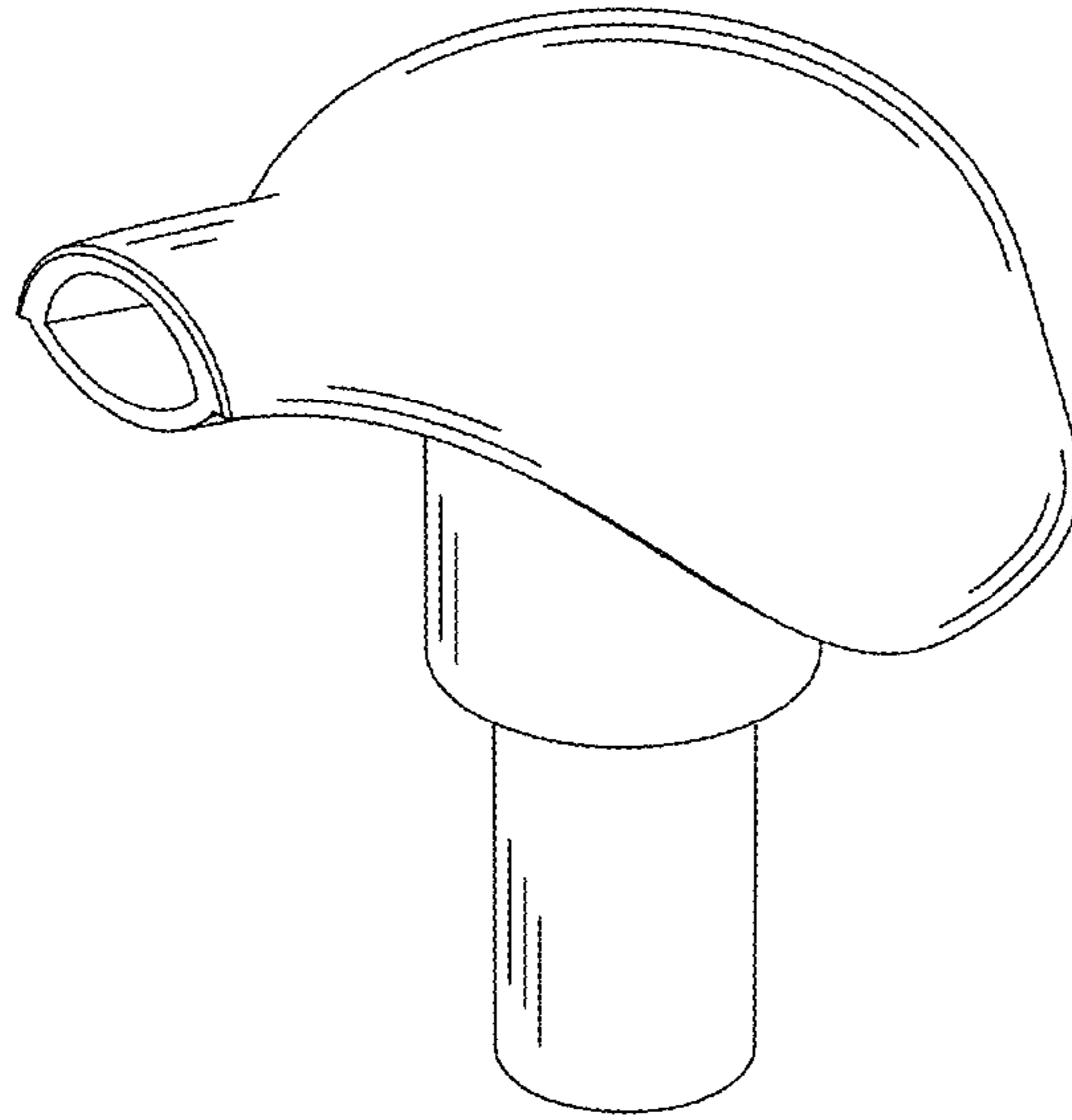


FIG.1

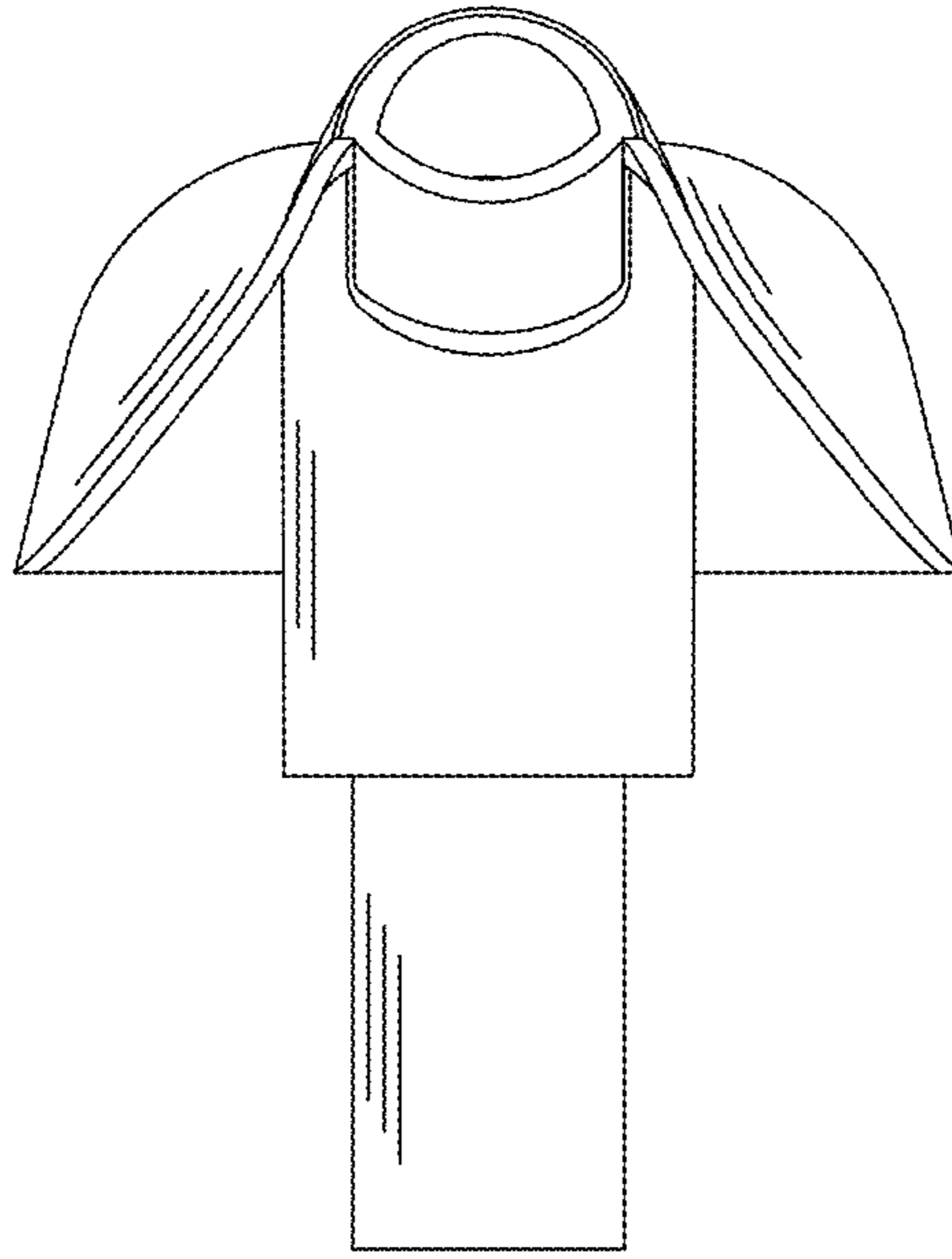


FIG. 2

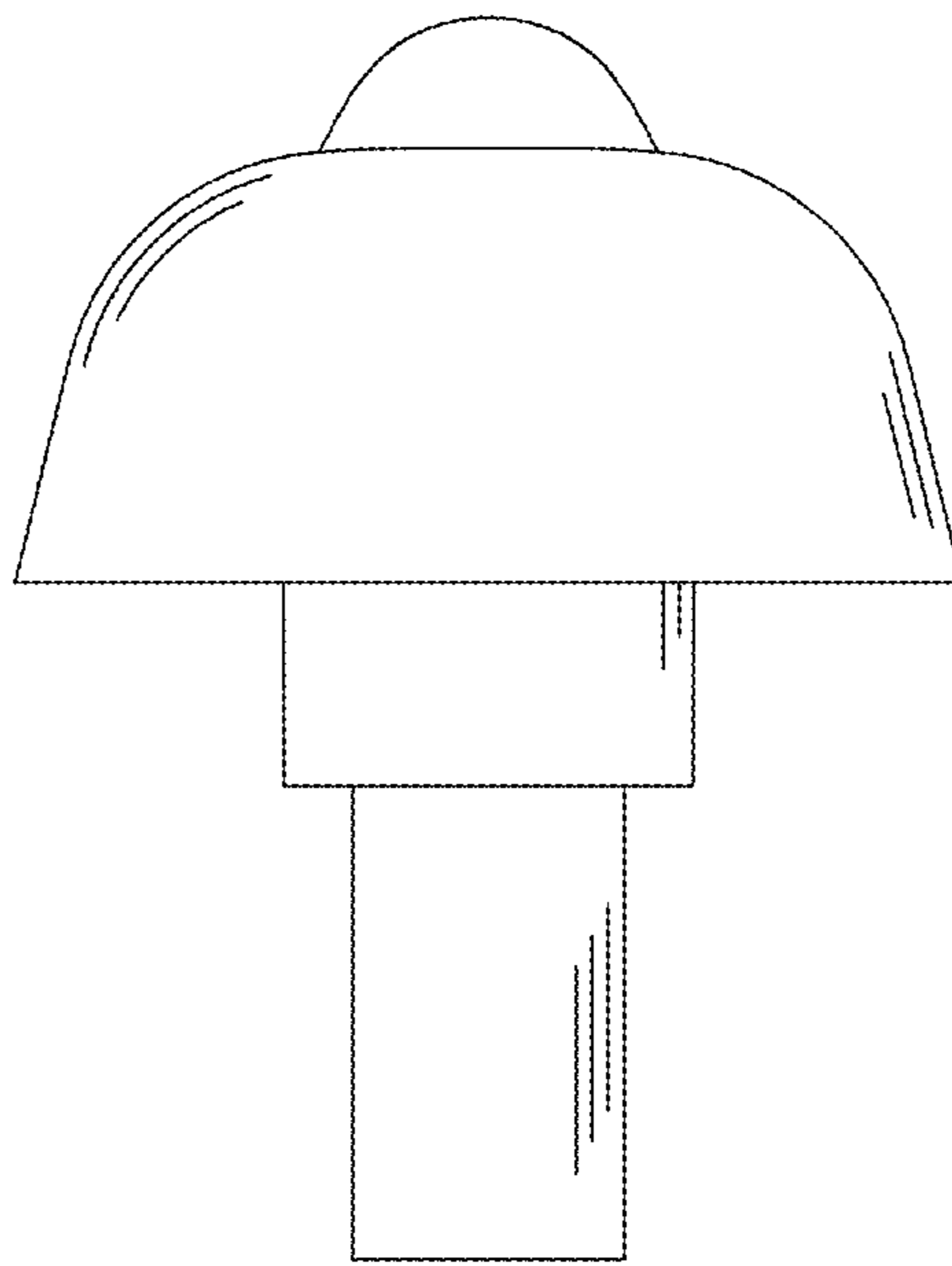


FIG. 3

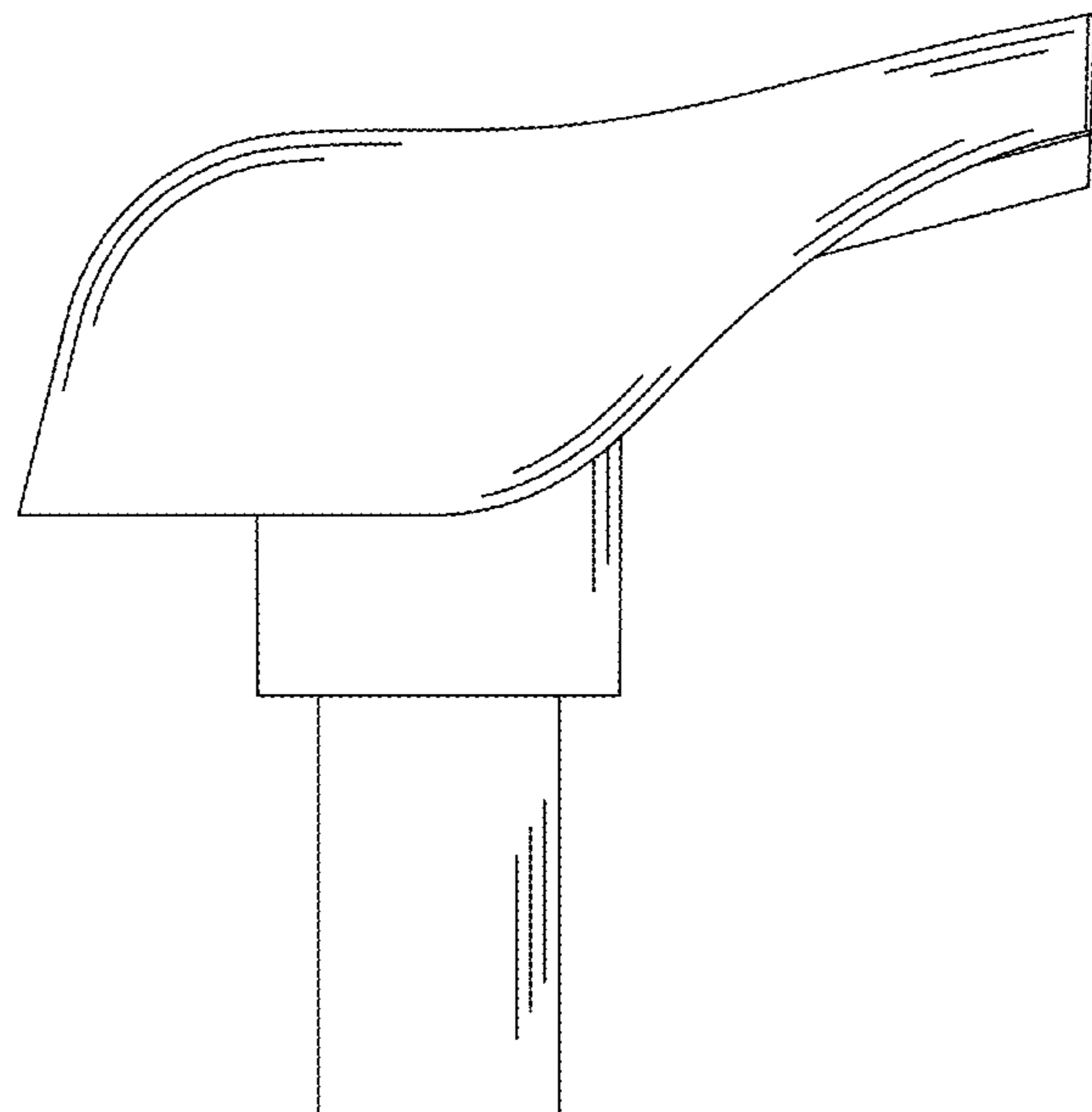


FIG. 4

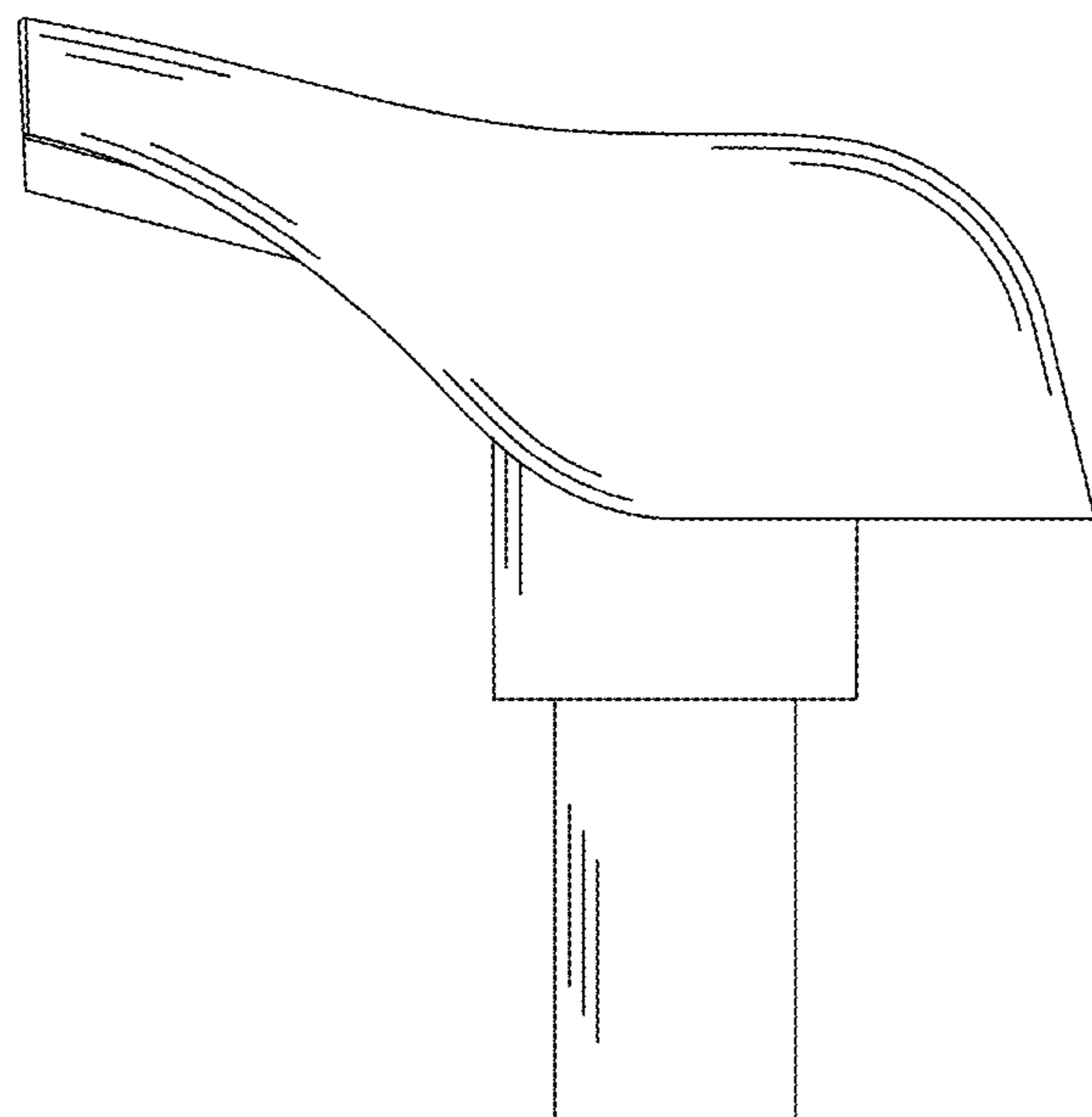


FIG. 5

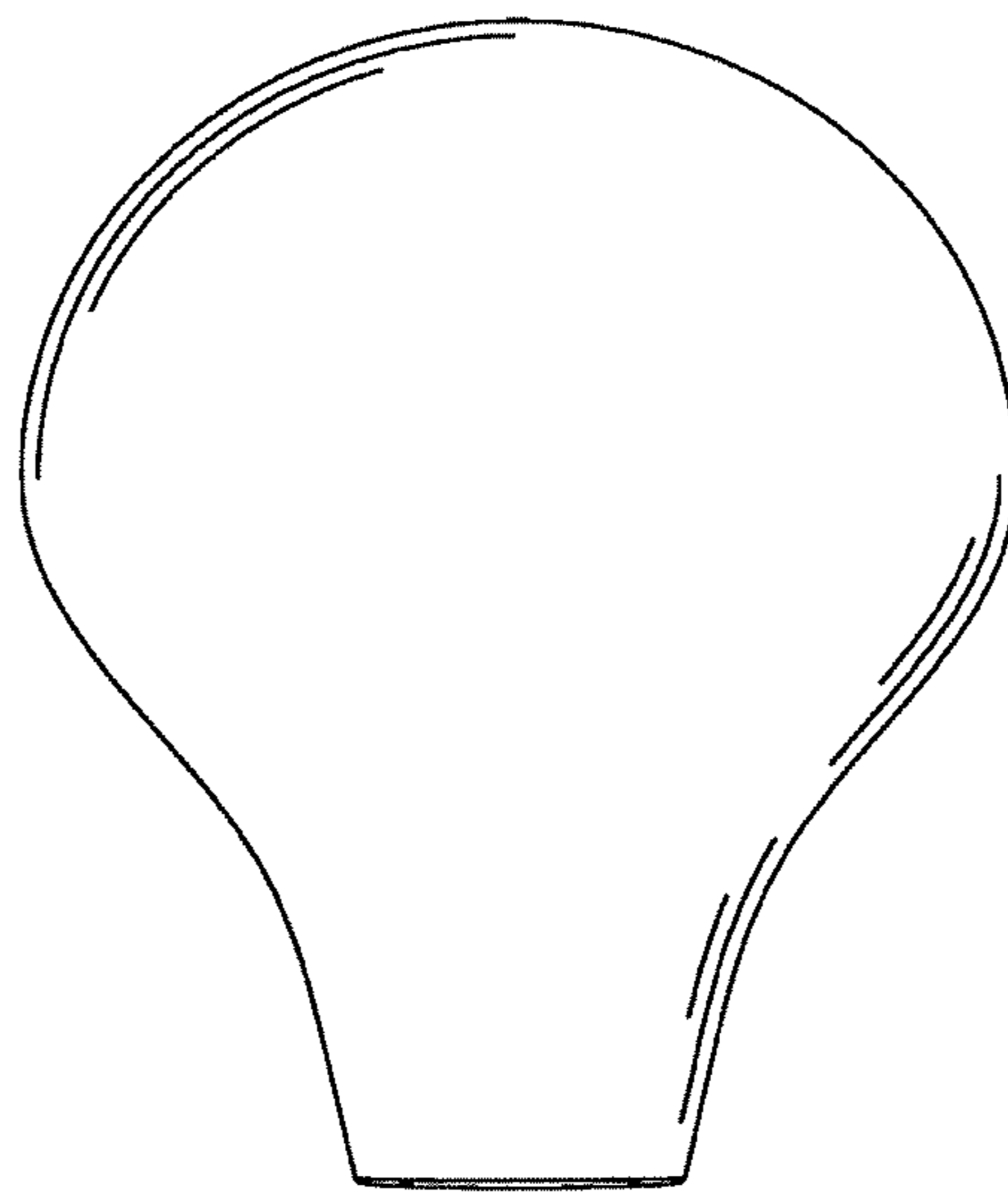


FIG.6