



US00D714638S

(12) **United States Design Patent**
Mohn et al.

(10) **Patent No.:** **US D714,638 S**

(45) **Date of Patent:** **** Oct. 7, 2014**

(54) **PACKAGING**

(75) Inventors: **Arne Mohn**, Rome (IT); **Luca Moroni**, Perugia (IT)

(73) Assignee: **IPI S.R.L.**, San Sisto (IT)

(**) Term: **14 Years**

(21) Appl. No.: **29/419,243**

(22) Filed: **Apr. 26, 2012**

(30) **Foreign Application Priority Data**

Oct. 27, 2011	(EM)	001938986-0001
Oct. 27, 2011	(EM)	001938986-0002
Oct. 27, 2011	(EM)	001938986-0003
Oct. 27, 2011	(EM)	001938986-0004
Oct. 27, 2011	(EM)	001938986-0005
Oct. 27, 2011	(EM)	001938986-0006
Oct. 27, 2011	(EM)	001938986-0007
Oct. 27, 2011	(EM)	001938986-0008

(51) **LOC (10) Cl.** **09-03**

(52) **U.S. Cl.**
USPC **D9/432**

(58) **Field of Classification Search**

CPC B65D 5/00; B65D 5/0209; B65D 5/029;
B65D 5/40; B65D 5/72; B65D 5/727

USPC D9/430-435, 414, 418, 420-424;
D3/272, 273, 302; 206/267, 269, 270,
206/273, 299, 737, 740, 822; 229/100, 101,
229/101.3, 106, 108-112, 124, 125, 162.1,
229/165, 172, 182.1, 183, 185, 200, 210,
229/221, 406, 407; D7/601, 602

See application file for complete search history.

(56) **References Cited**

U.S. PATENT DOCUMENTS

D448,286 S *	9/2001	Quensel et al.	D9/417
D454,063 S *	3/2002	Dammers	D9/417
D454,492 S *	3/2002	Dammers	D9/417

D464,566 S *	10/2002	Anchor et al.	D9/432
D494,861 S *	8/2004	Guidotti et al.	D9/431
D519,832 S *	5/2006	Demathieu et al.	D9/430
D540,164 S *	4/2007	Franic	D9/434
D589,343 S *	3/2009	Bohache et al.	D9/430
D598,745 S *	8/2009	Bohache et al.	D9/430
D624,404 S *	9/2010	Darbonne	D9/431
D635,018 S *	3/2011	Wallace et al.	D9/433
D649,451 S *	11/2011	Franic	D9/433
D665,258 S *	8/2012	Wilkum et al.	D9/433
D677,565 S *	3/2013	Barbieri et al.	D9/431
D684,853 S *	6/2013	Dagnino	D9/417
D691,882 S *	10/2013	Barbieri et al.	D9/430

* cited by examiner

Primary Examiner — Susan Benneth Hattan

Assistant Examiner — Vy Koenig

(74) *Attorney, Agent, or Firm* — Pearne & Gordon LLP

(57) **CLAIM**

The ornamental design for a packaging, as shown and described.

DESCRIPTION

FIG. 1 is a front-left perspective view of a first embodiment of a packaging, showing our new design;
 FIG. 2 is a front elevational view thereof;
 FIG. 3 is a right side elevational view thereof;
 FIG. 4 is a back elevational view thereof;
 FIG. 5 is a left side elevational view thereof;
 FIG. 6 is a top plan view thereof;
 FIG. 7 is a bottom plan view thereof;
 FIG. 8 is a front-left perspective view of a second embodiment of a packaging, according to the invention;
 FIG. 9 is a front elevational view thereof;
 FIG. 10 is a right side elevational view thereof;
 FIG. 11 is a back elevational view thereof;
 FIG. 12 is a left side elevational view thereof;
 FIG. 13 is a top plan view thereof; and,
 FIG. 14 is a bottom plan view thereof.

1 Claim, 8 Drawing Sheets

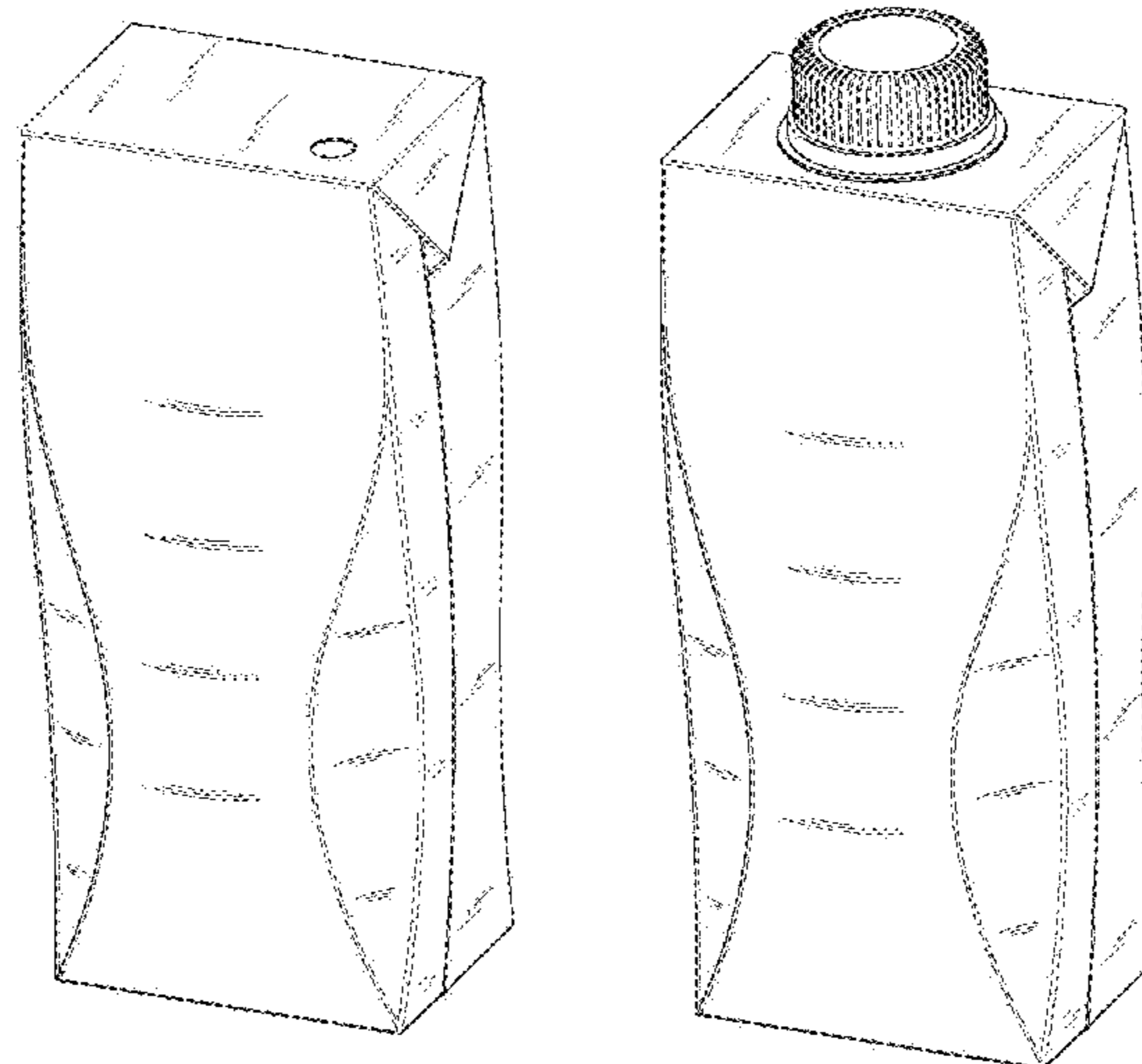


FIG. 1

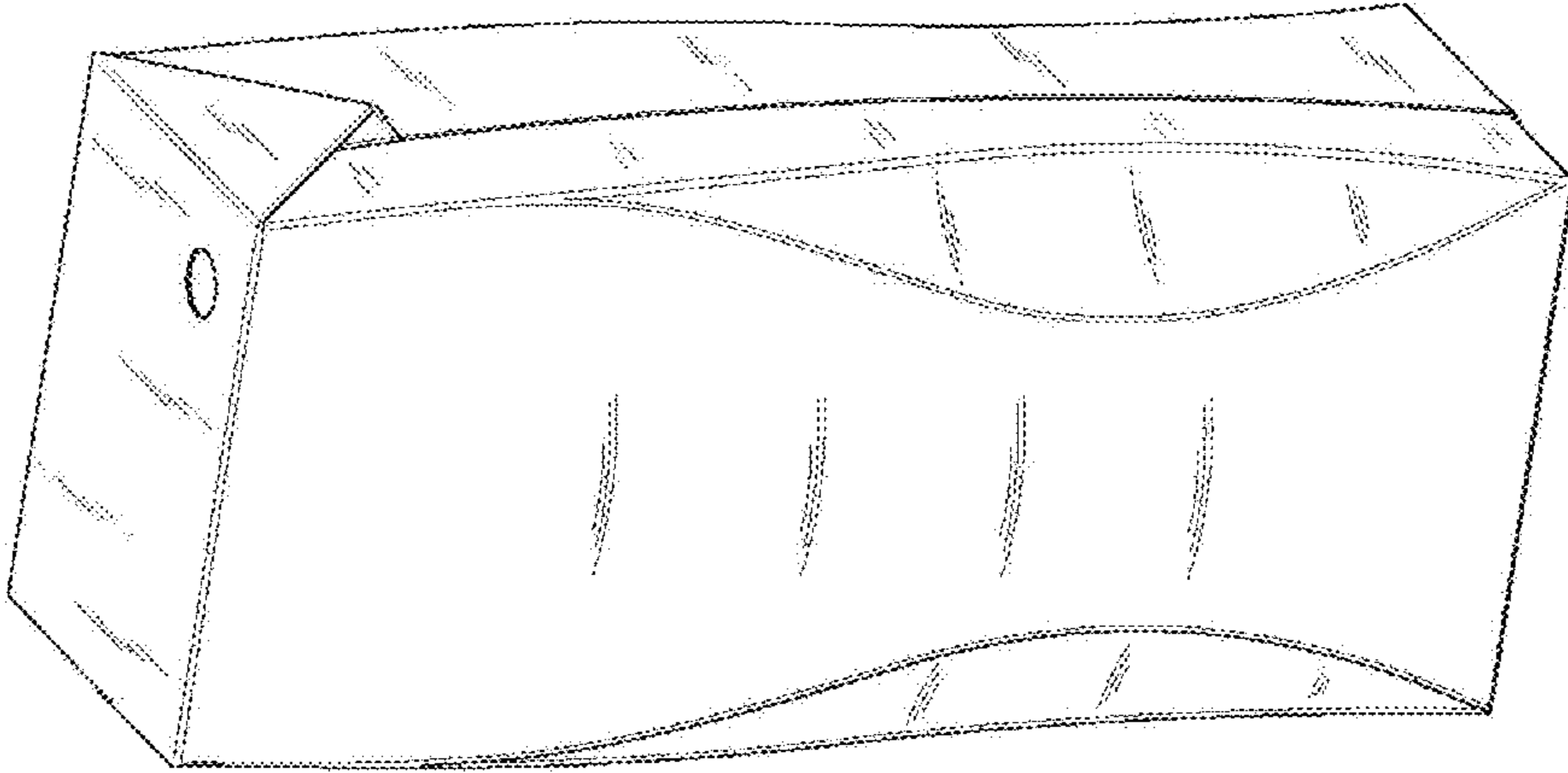


FIG. 3

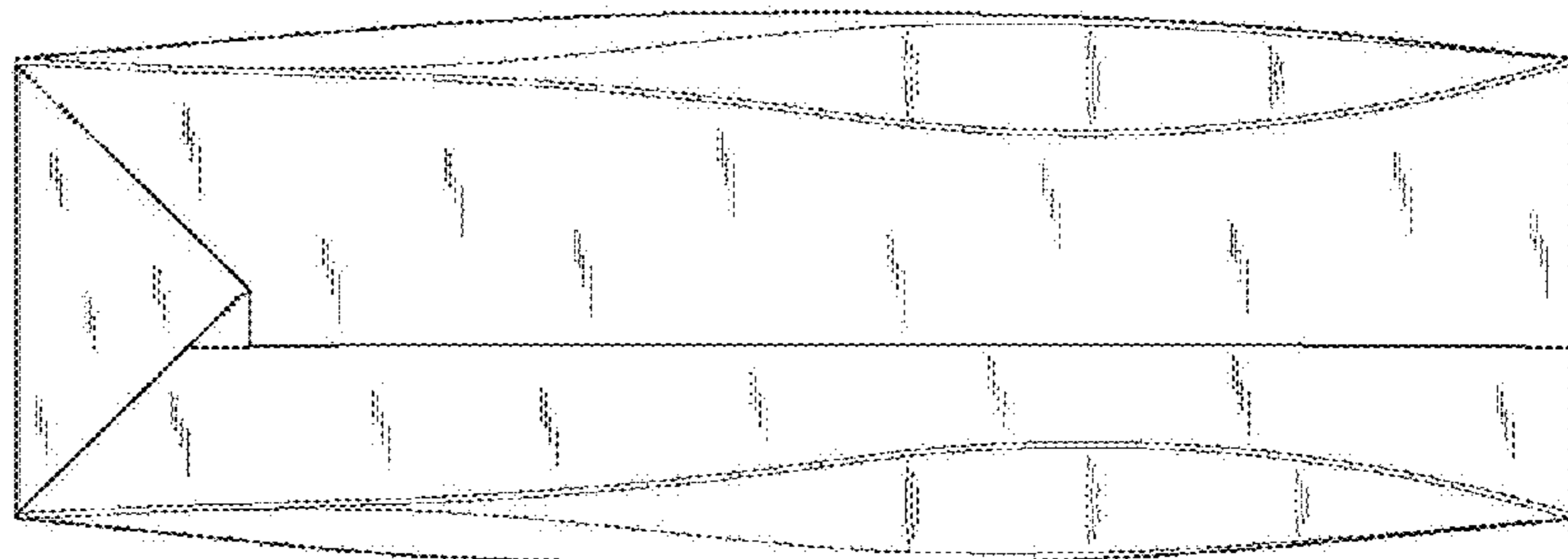


FIG. 2

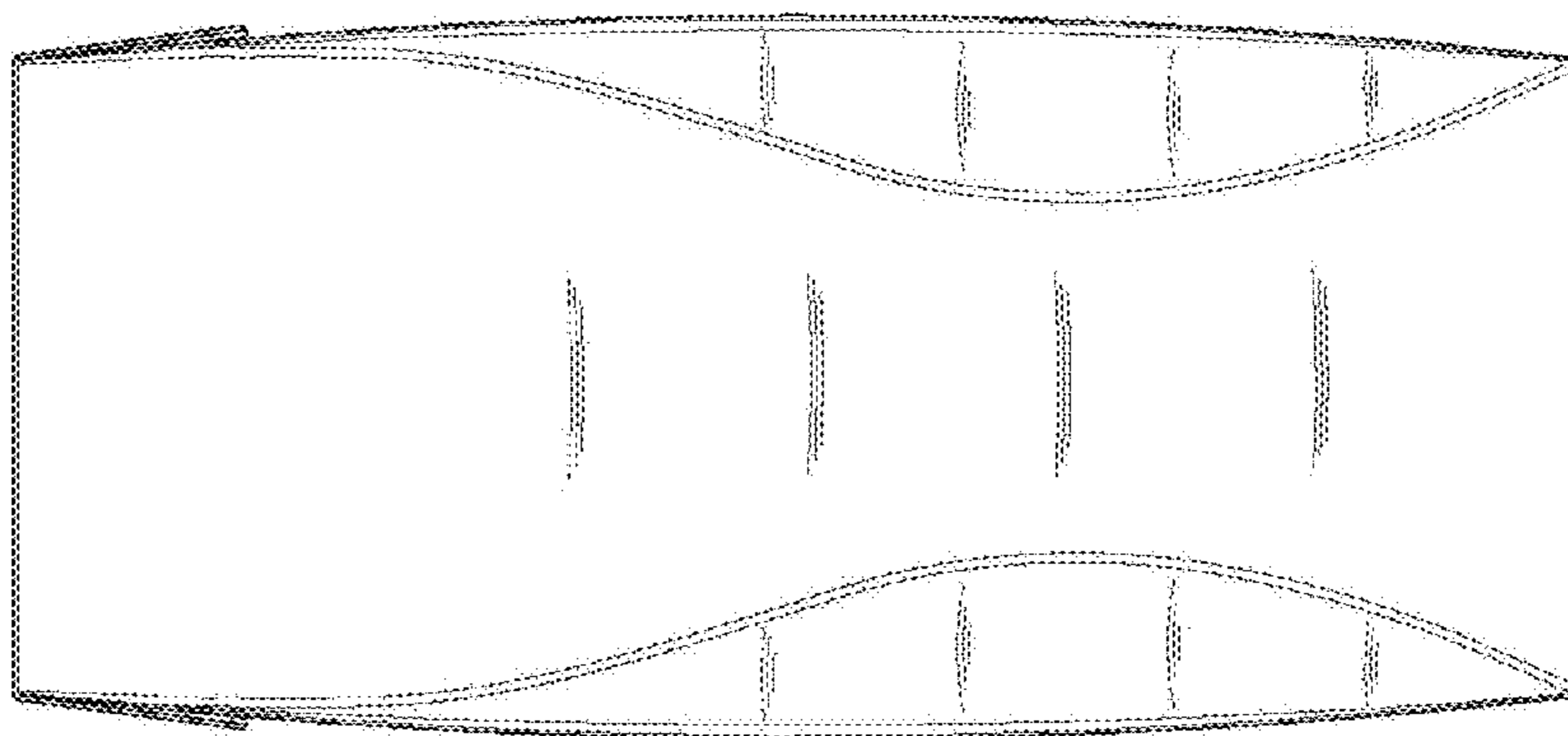


FIG. 5

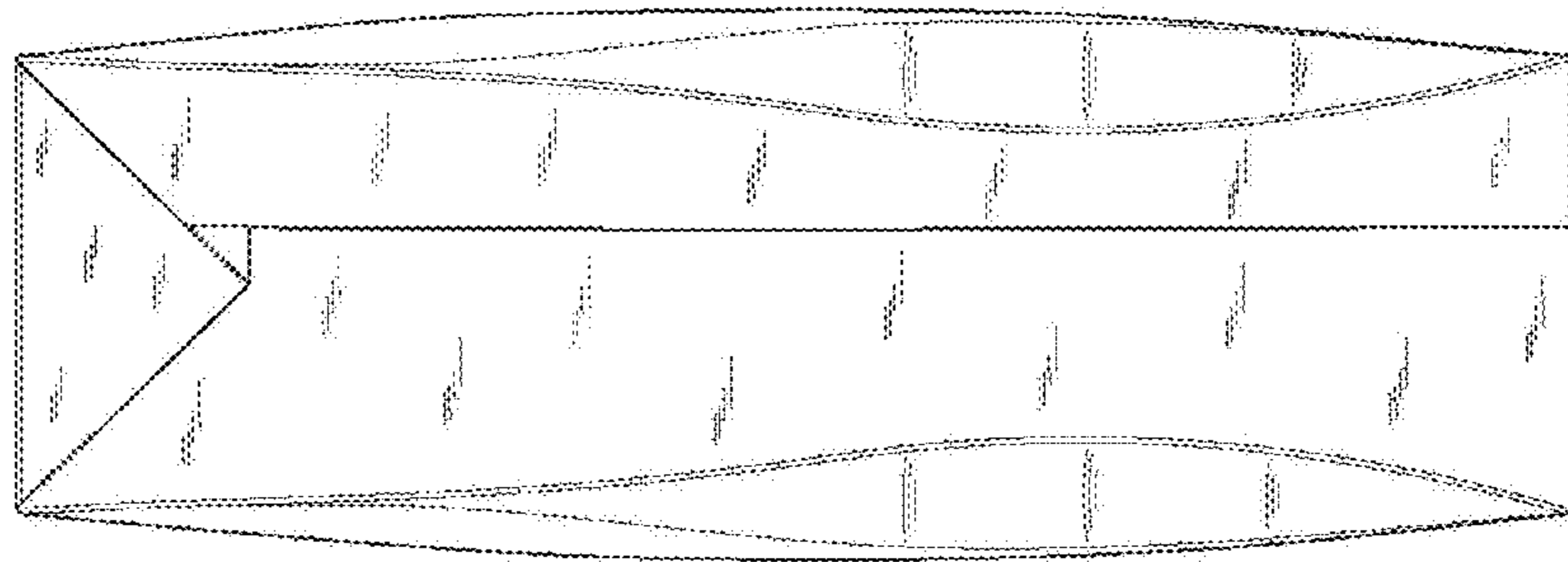


FIG. 4

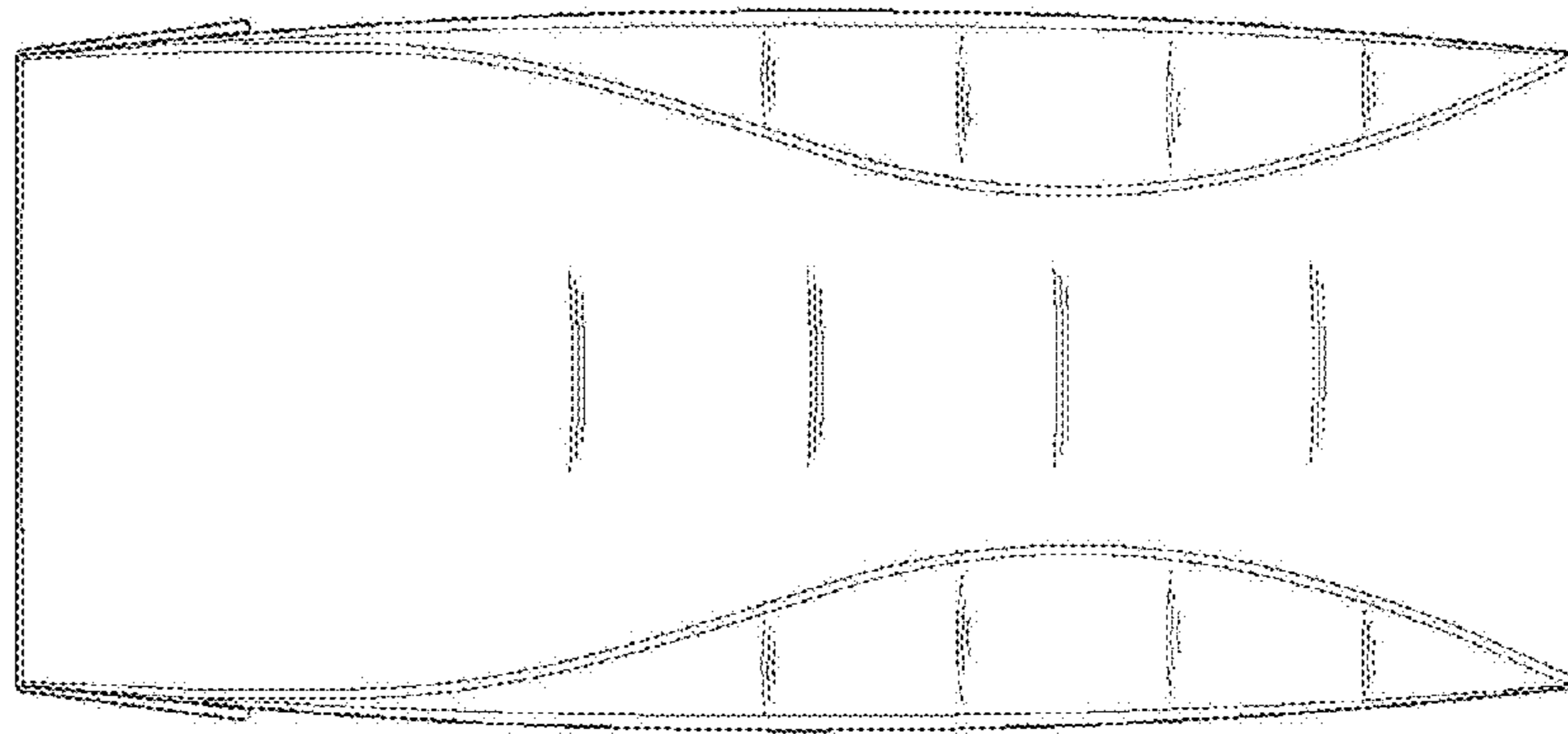


FIG. 7

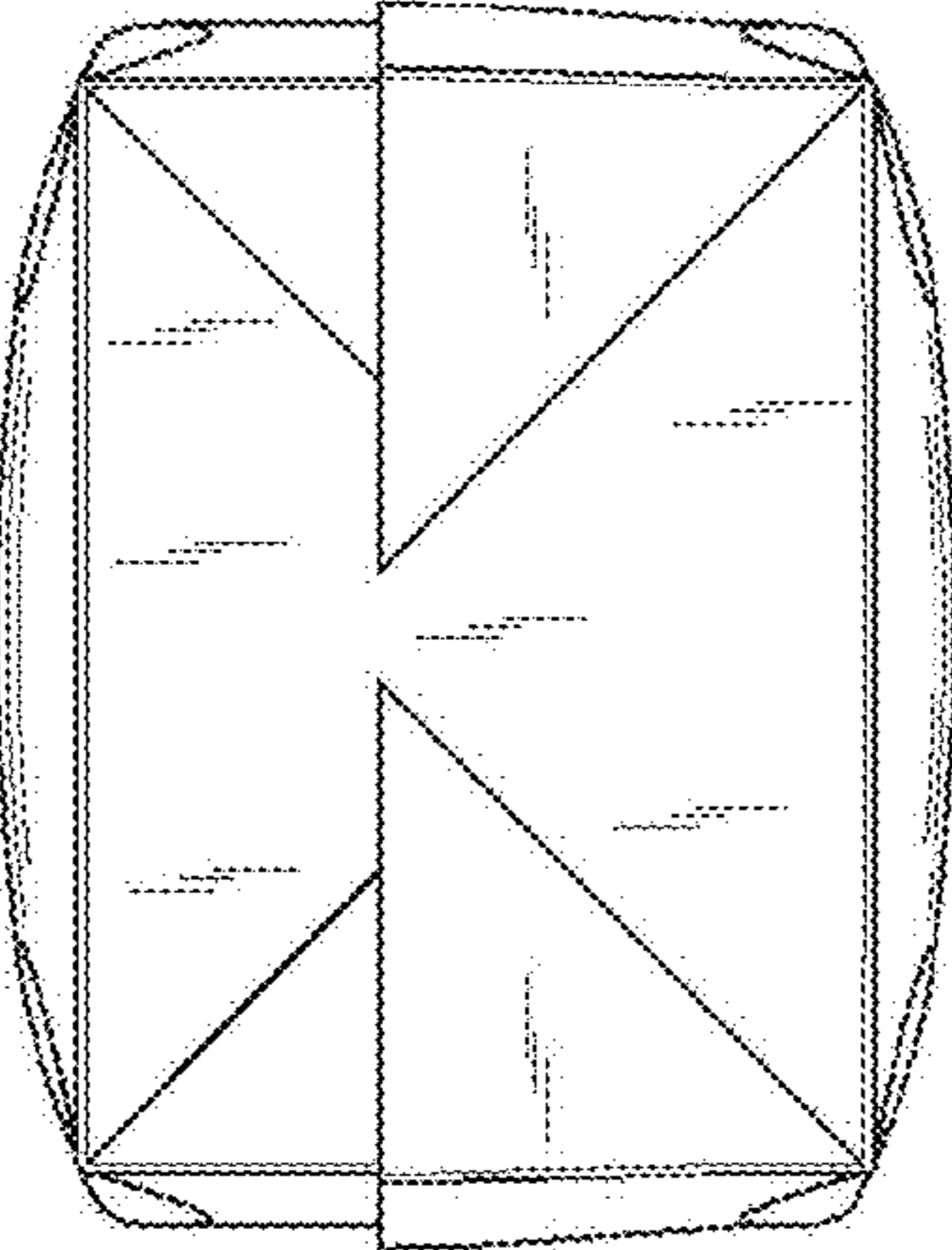


FIG. 6

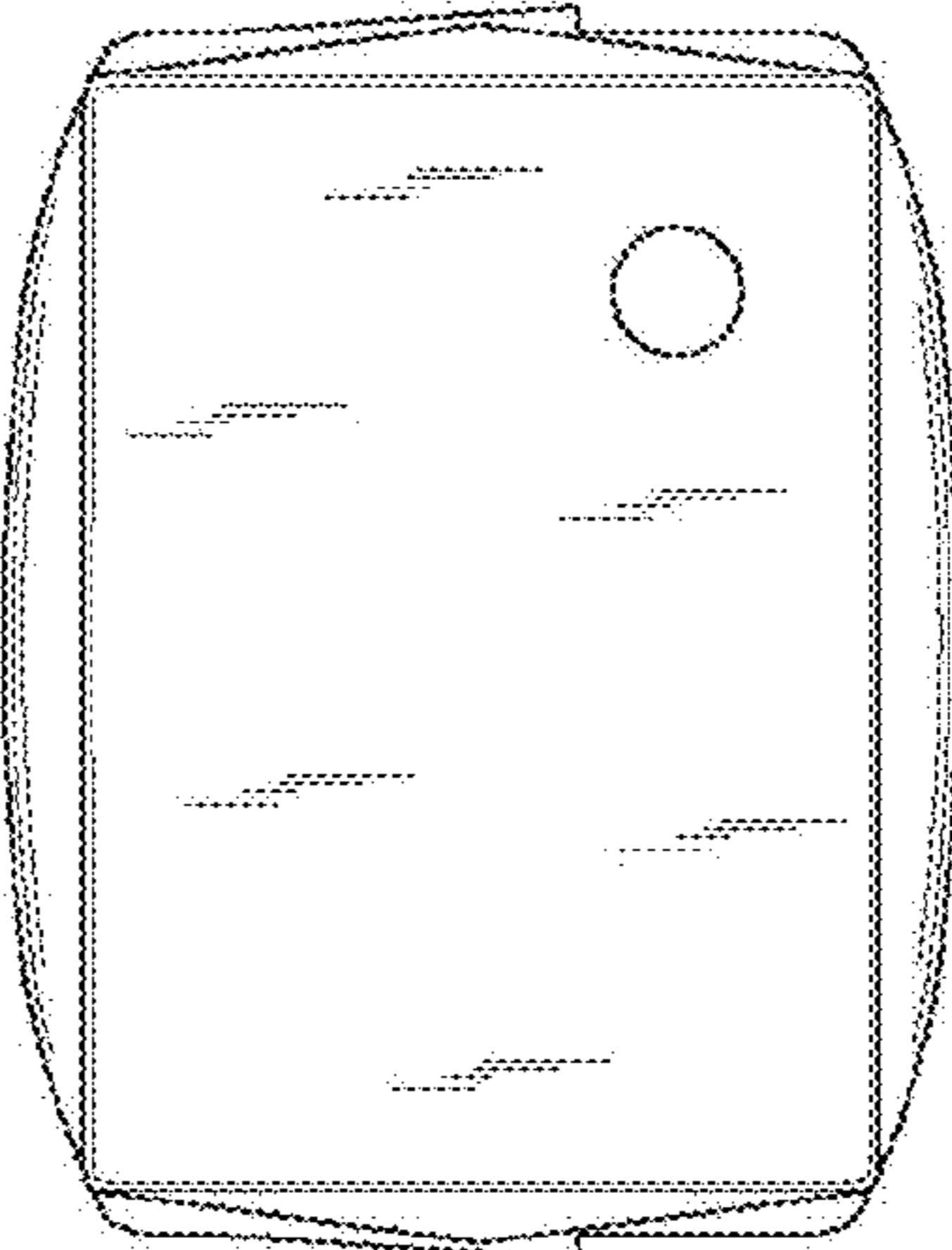


FIG. 8

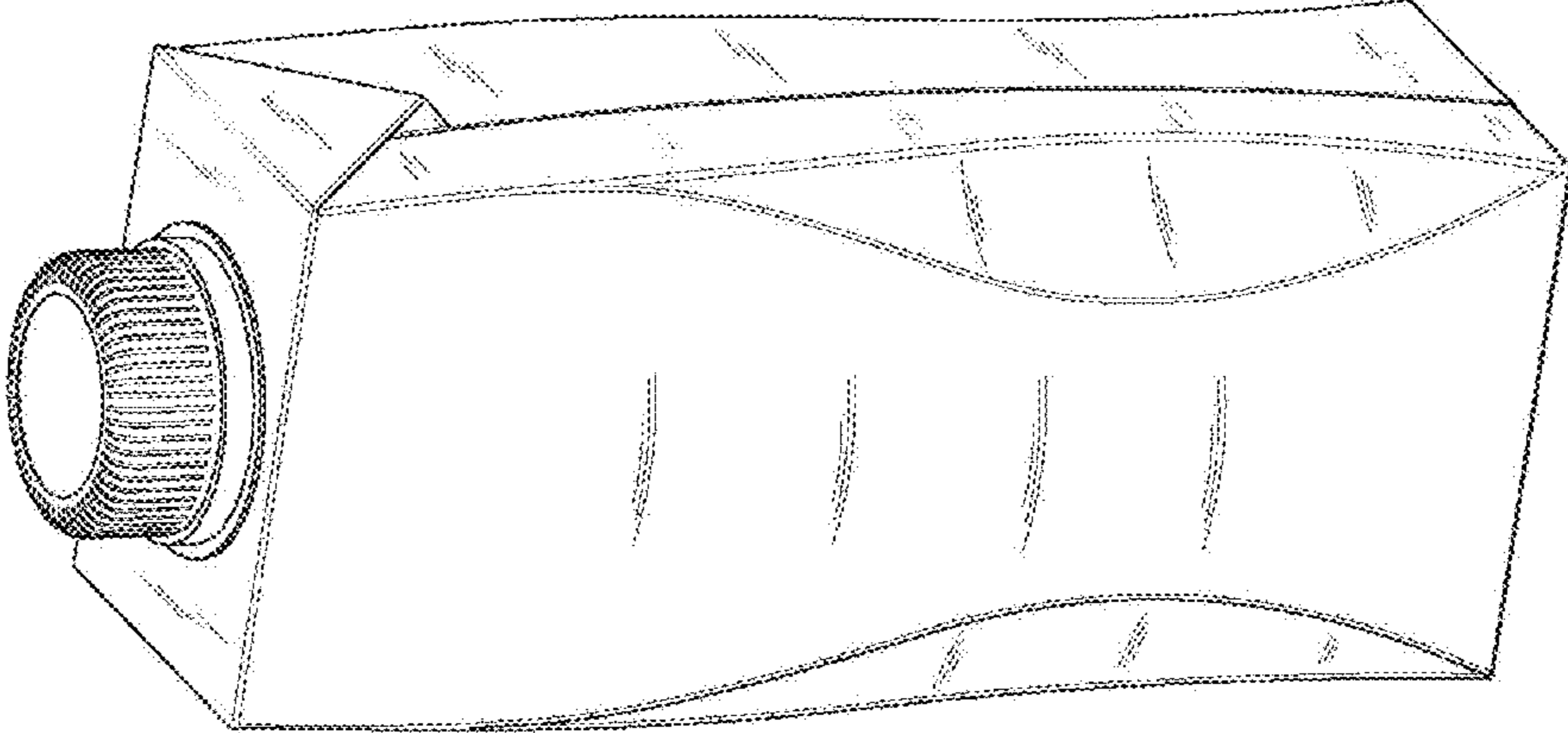


FIG. 10

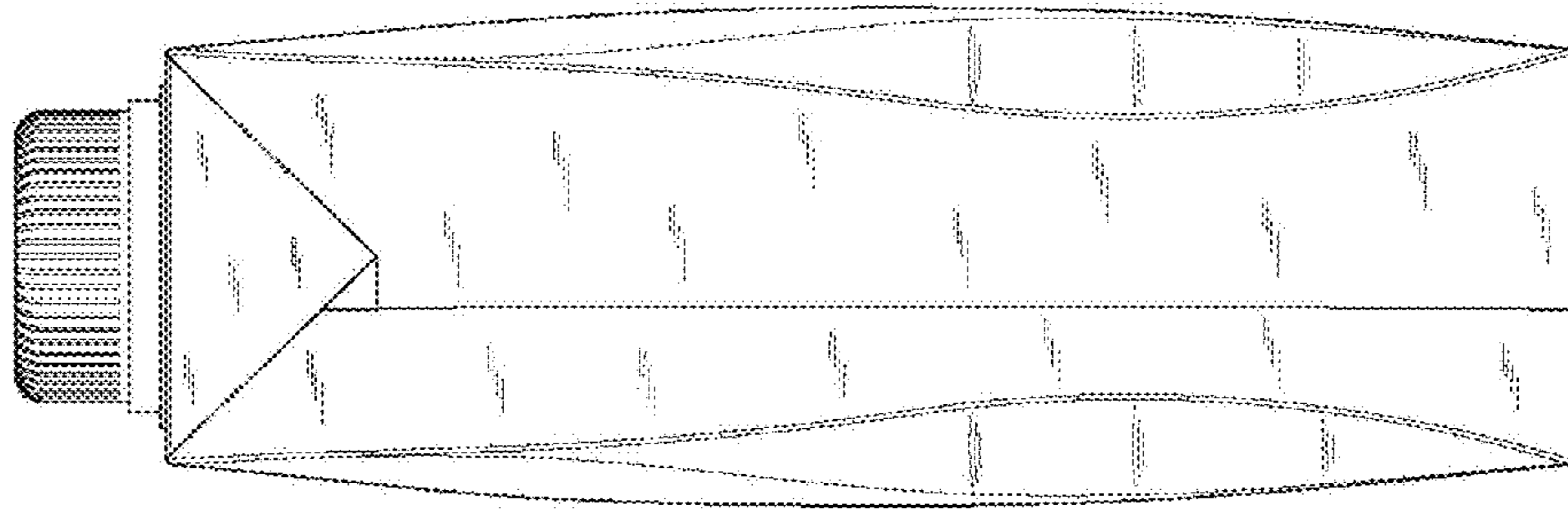


FIG. 9

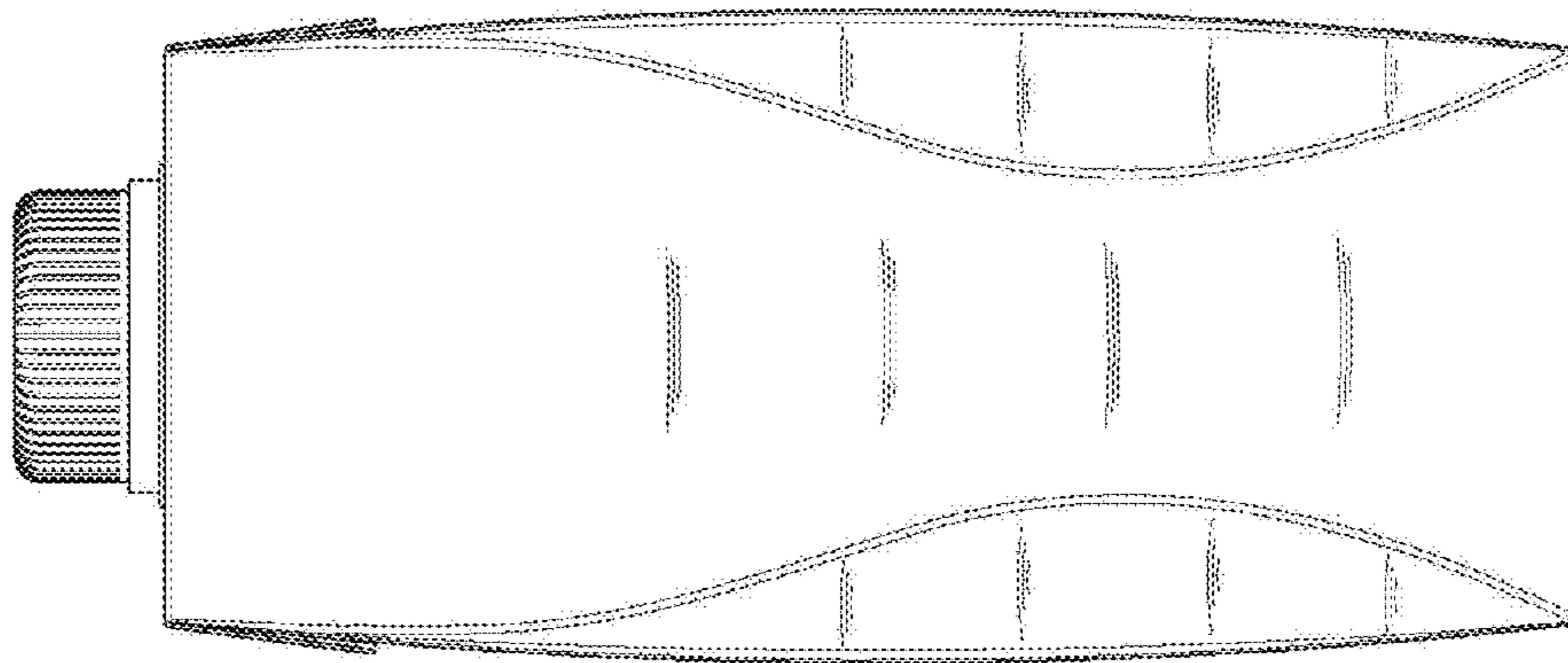


FIG. 12

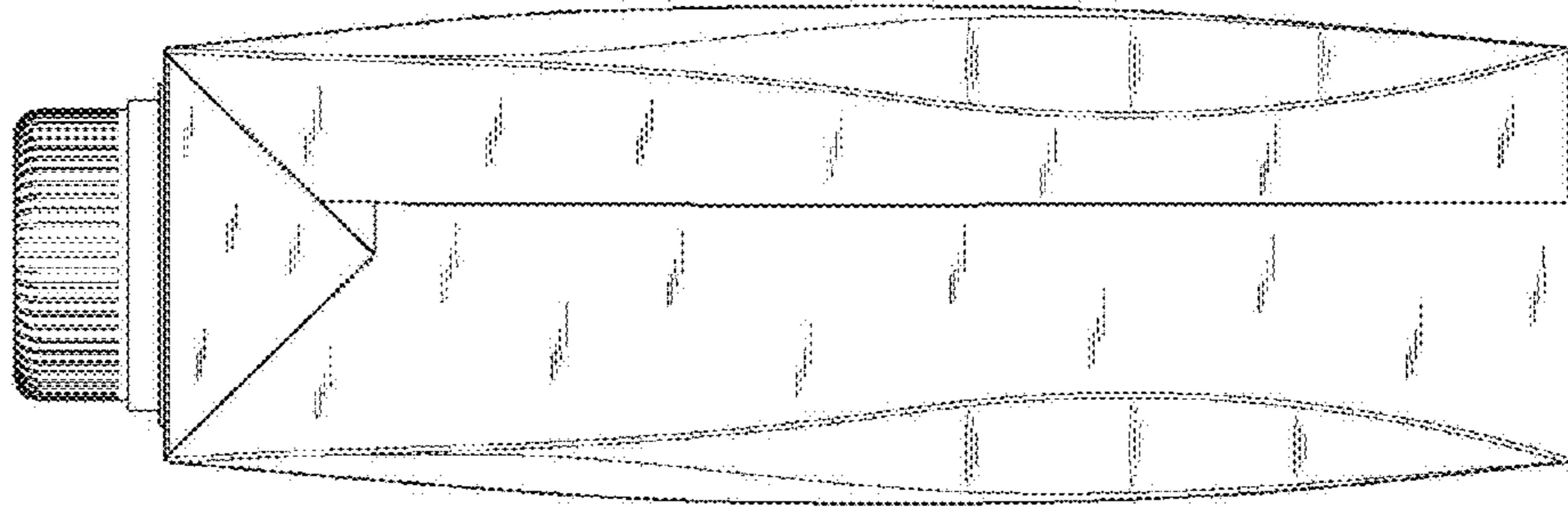


FIG. 11

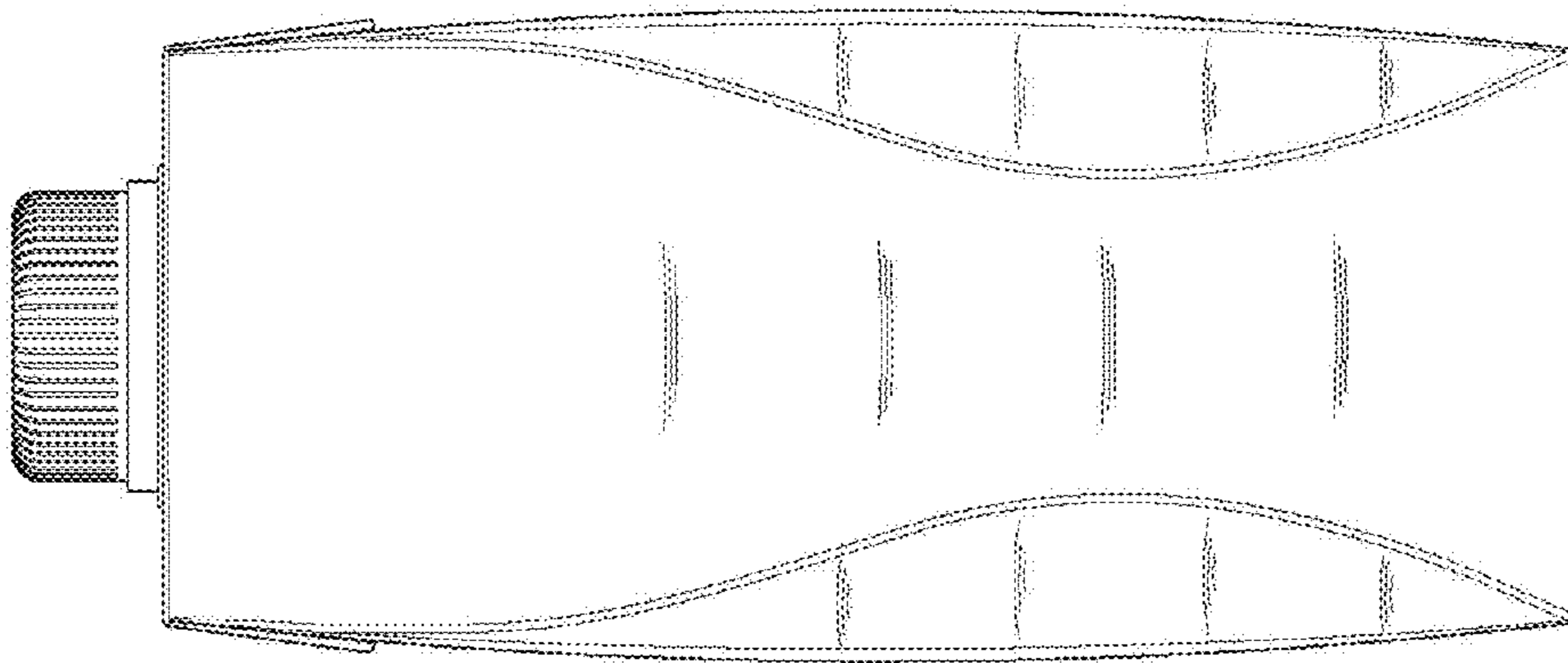


FIG. 14

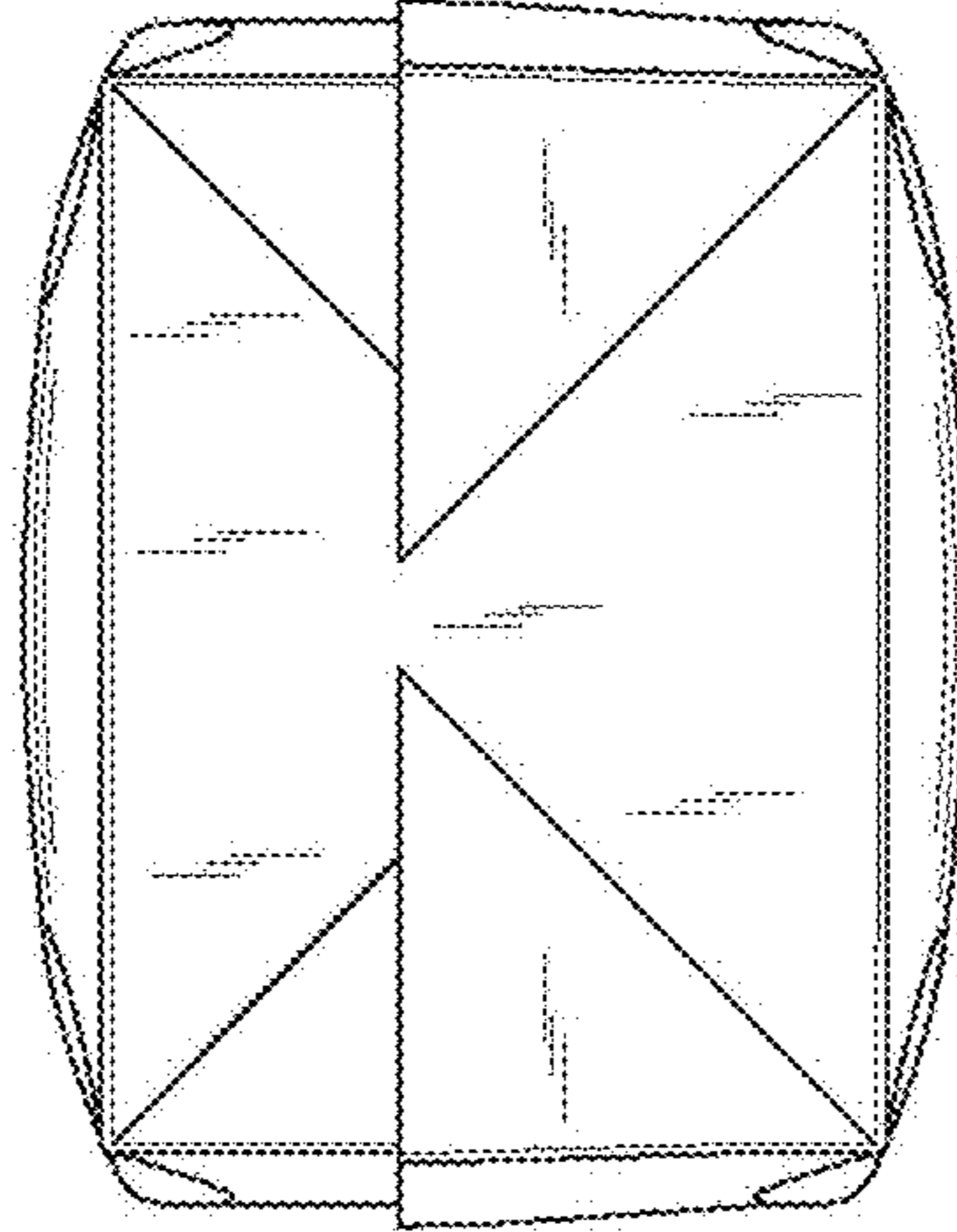


FIG. 13

