



US00D714633S

(12) **United States Design Patent**
Gringer et al.

(10) **Patent No.:** **US D714,633 S**

(45) **Date of Patent:** **** Oct. 7, 2014**

(54) **PROTECTIVE PACKAGE**

(71) Applicant: **Allway Tools, Inc.**, Bronx, NY (US)

(72) Inventors: **Donald Gringer**, New York, NY (US);
Yuan Fang Cheng, Forrest Hills, NY (US)

(73) Assignee: **Allway Tools, Inc.**, Bronx, NY (US)

(**) Term: **14 Years**

(21) Appl. No.: **29/465,872**

(22) Filed: **Sep. 3, 2013**

Related U.S. Application Data

(63) Continuation of application No. 12/944,553, filed on Nov. 11, 2010, now Pat. No. 8,579,114.

(51) **LOC (10) Cl.** **09-03**

(52) **U.S. Cl.**
USPC **D9/415**

(58) **Field of Classification Search**

USPC D9/346, 414-418, 424, 425, 423, 428, D9/429, 431-436, 445, 452-454, 499, 500, D9/504, 516, 519, 522, 529, 535, 537, 545, D9/551, 571, 672, 675, 702, 711, 715, 721, D9/722, 737, 748, 759, 740, 743, 745, 749, D9/756; 206/769, 773, 775-778, 395, 206/397-398, 223, 736, 756, 495, 349, 760, 206/541, 784; 229/162.1, 162.3, 162.7, 229/107, 122, 395, 938, 902, 409, 125.05, 229/116.1, 8, 22; D21/108; D11/142; D7/538

See application file for complete search history.

(56) **References Cited**

U.S. PATENT DOCUMENTS

D275,835 S *	10/1984	Borst	D9/415
D320,327 S *	10/1991	Hollins	D7/502
D401,765 S *	12/1998	Soutullo	D4/199
D428,331 S *	7/2000	MacTavish	D9/415
D459,219 S *	6/2002	Lee	D9/415
D524,169 S *	7/2006	Dansreau et al.	D9/749
D525,820 S *	8/2006	Oztiryaki	D7/354
D539,663 S *	4/2007	Jovetic et al.	D9/600
D628,496 S *	12/2010	Wonderley et al.	D9/749
D693,219 S *	11/2013	Limback	D9/424

* cited by examiner

Primary Examiner — Ian Simmons

Assistant Examiner — Rhea Shields

(74) *Attorney, Agent, or Firm* — Gottlieb, Rackman & Reisman P.C.

(57) **CLAIM**

The ornamental design for a protective package, as shown and described.

DESCRIPTION

FIG. 1 is a top, right and rear perspective view of the protective package, showing our new design;
FIG. 2 is a top plan view thereof;
FIG. 3 is a left elevation view thereof, the right elevational view being a mirror image thereof;
FIG. 4 is a rear elevation view thereof;
FIG. 5 is a front elevation view thereof;
FIG. 6 is a bottom plan view thereof; and,
FIG. 7 is a top plan view with the hanger and the wings extended.

1 Claim, 4 Drawing Sheets

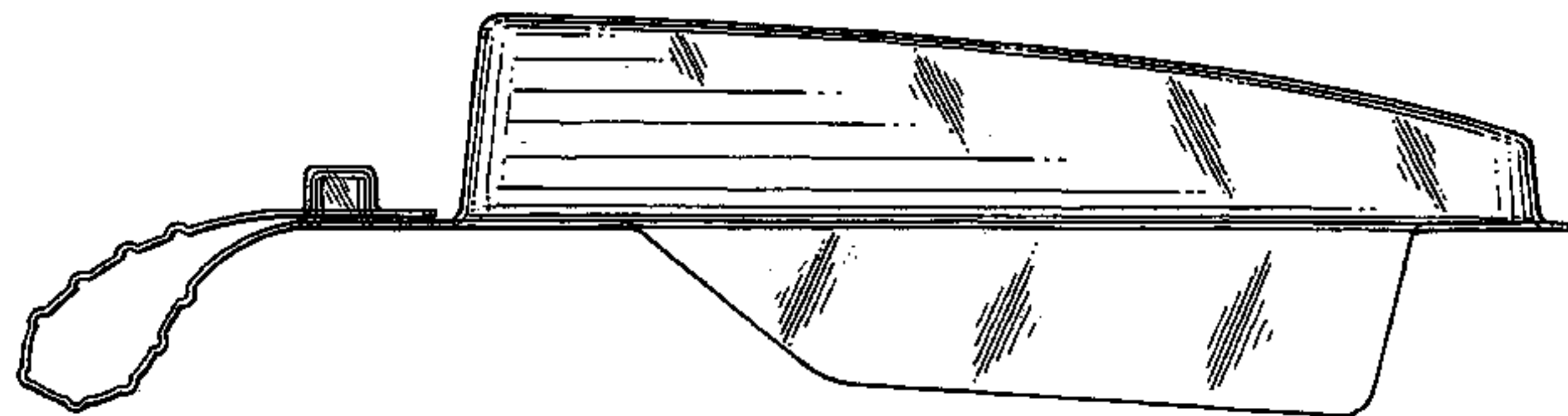
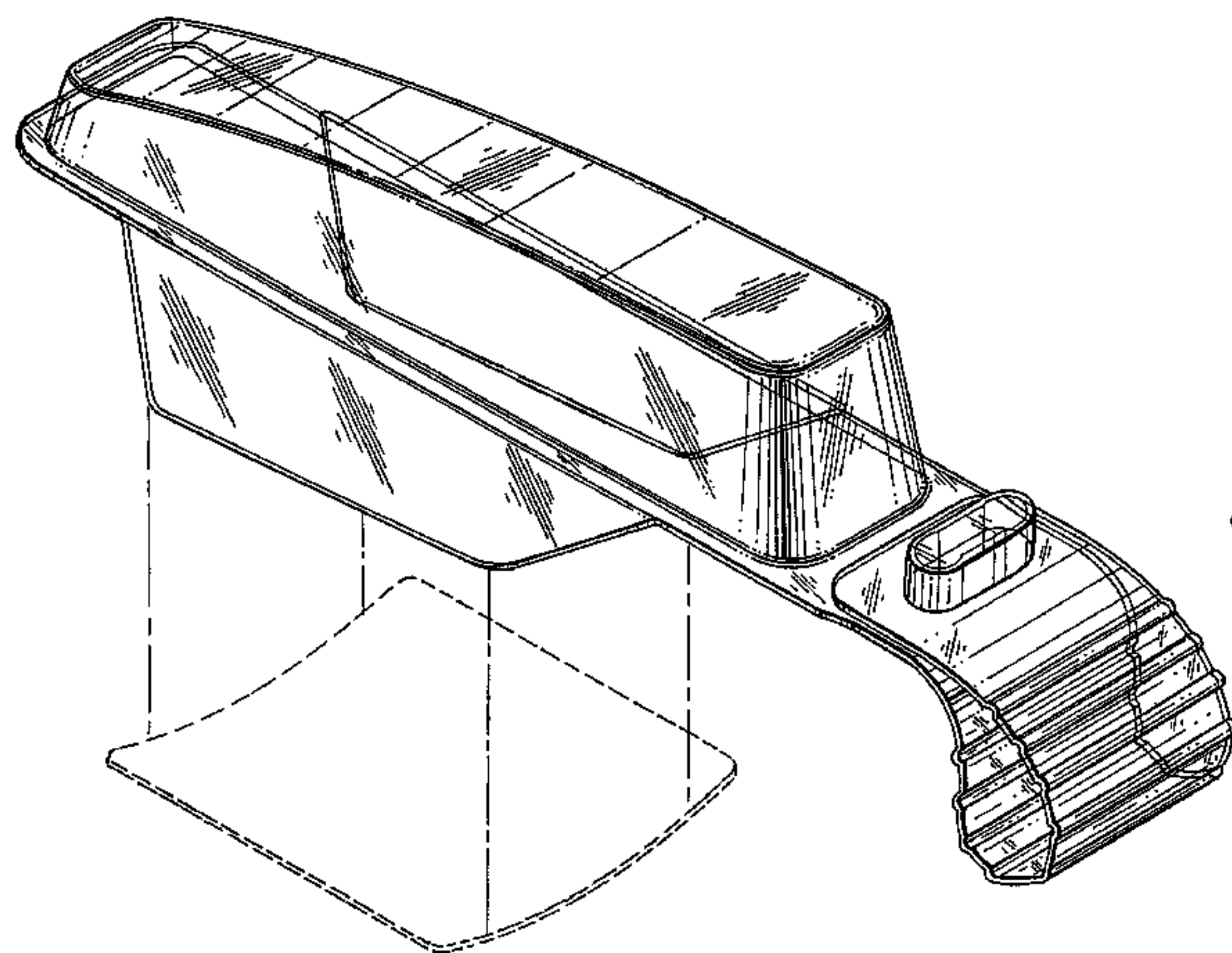


FIG. 1

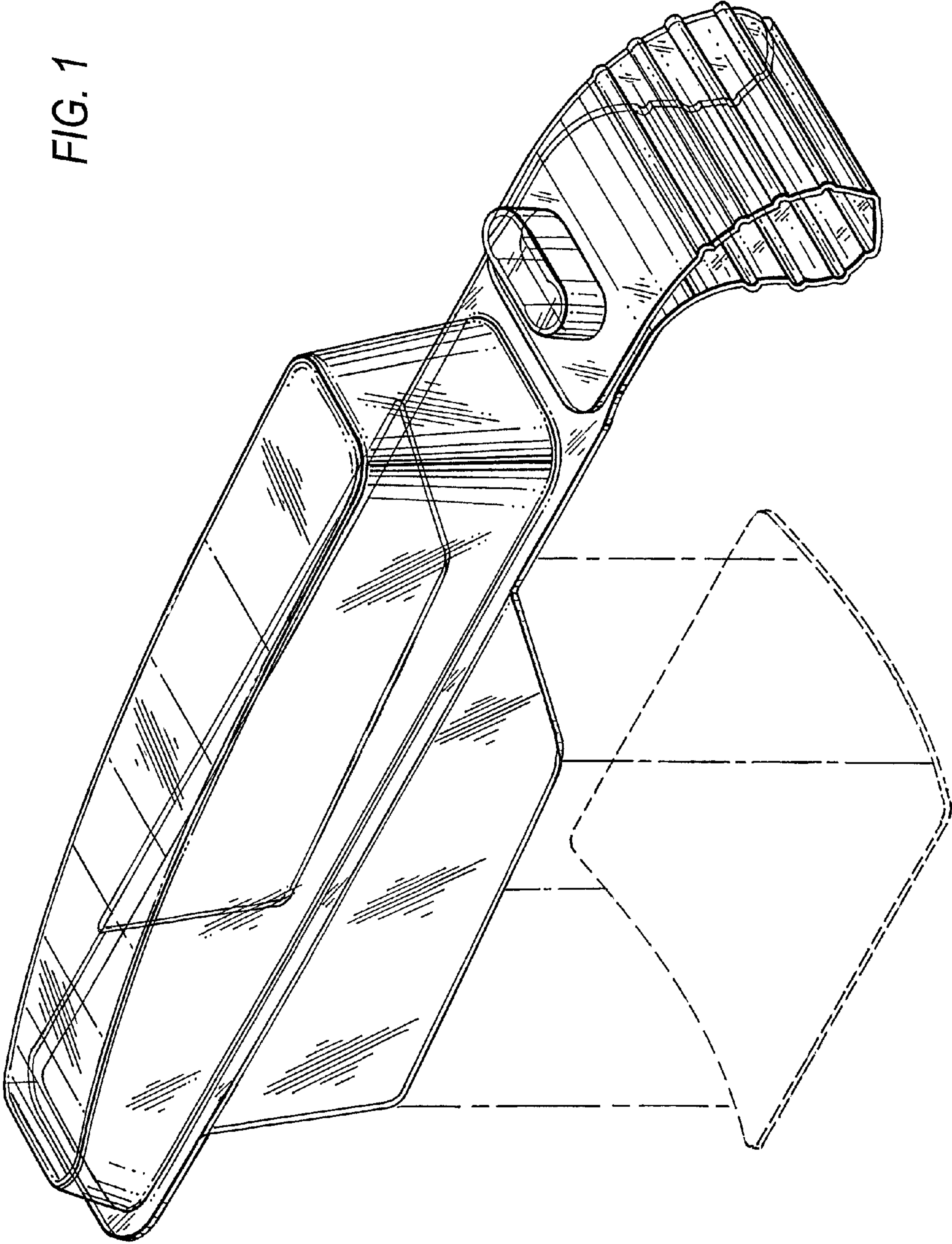


FIG. 2

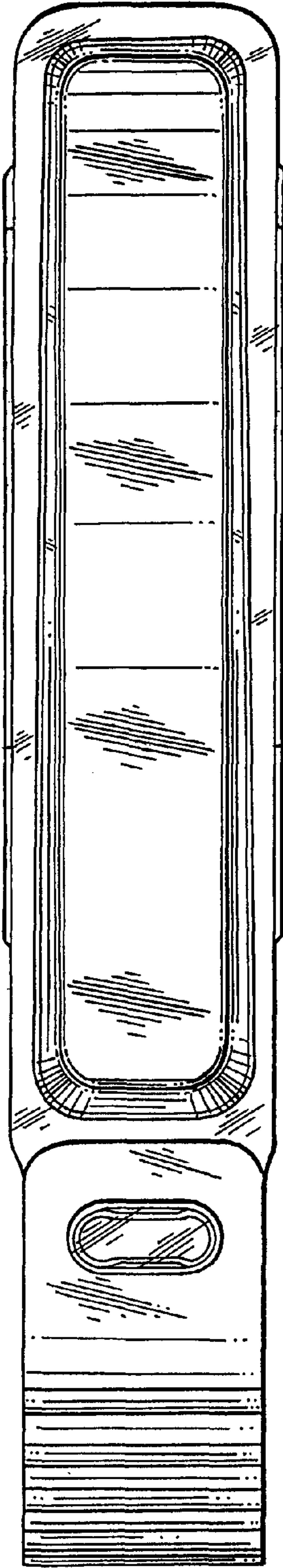
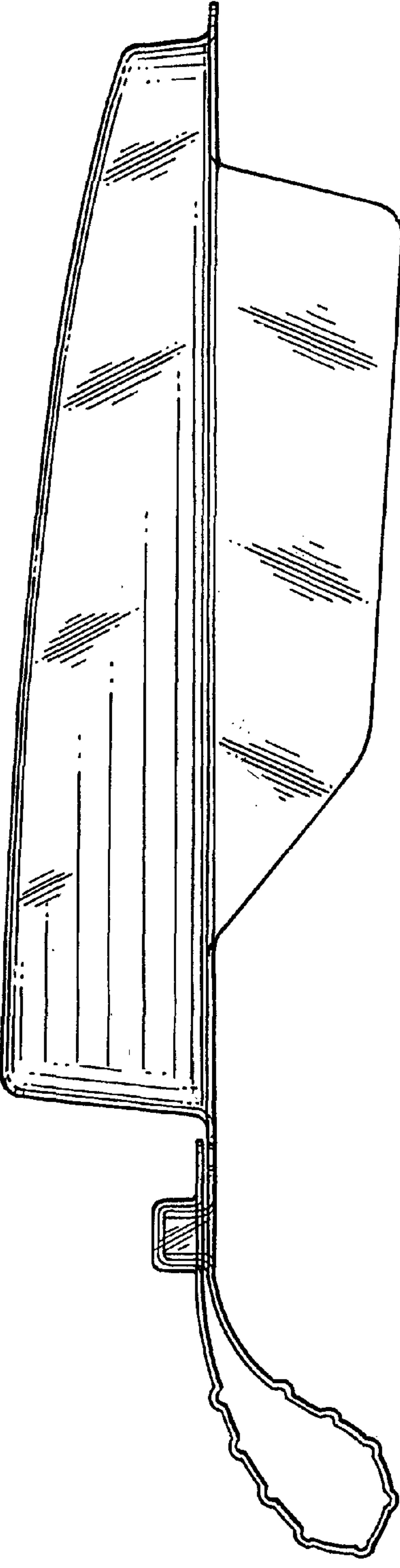


FIG. 3



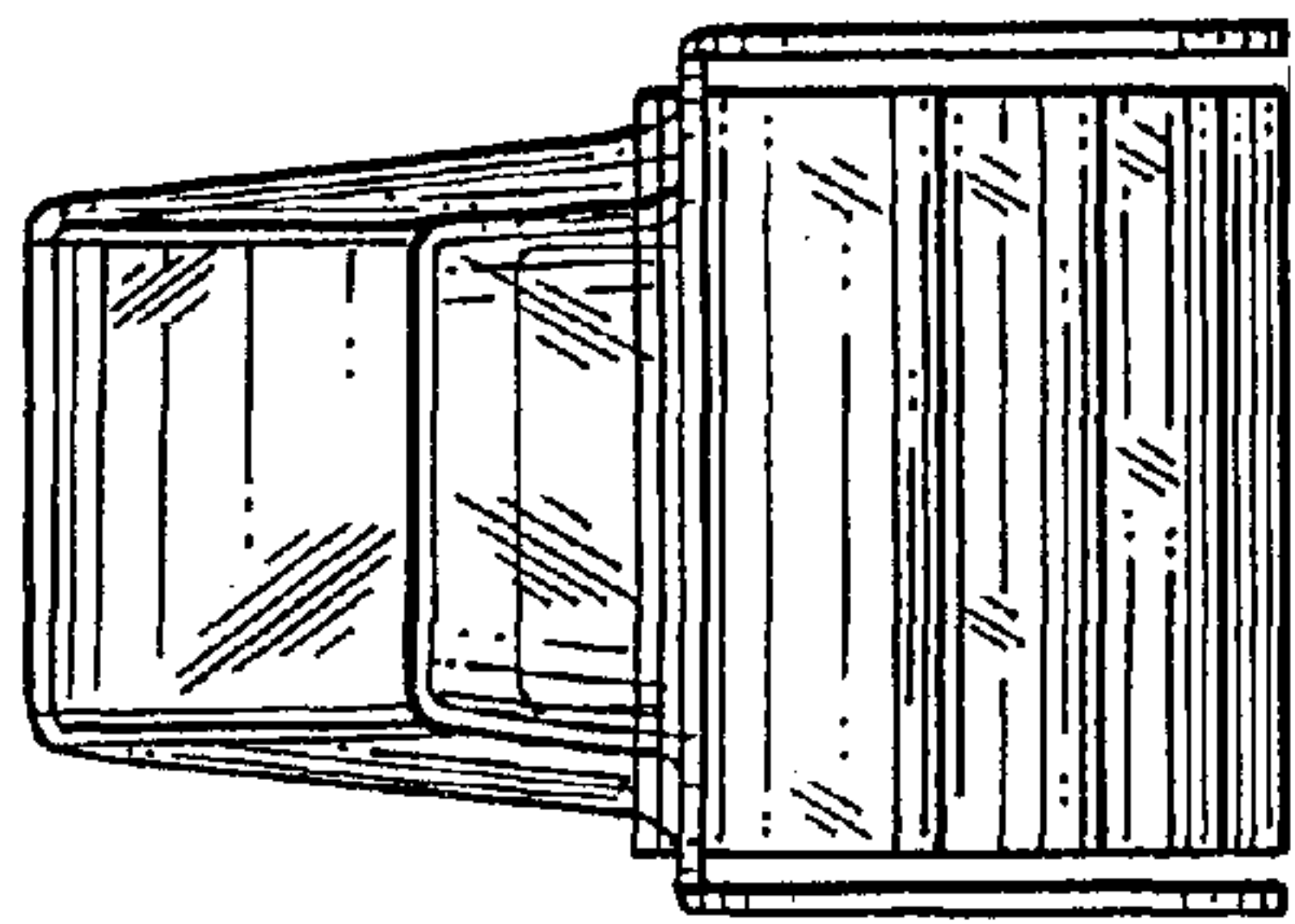


FIG. 5

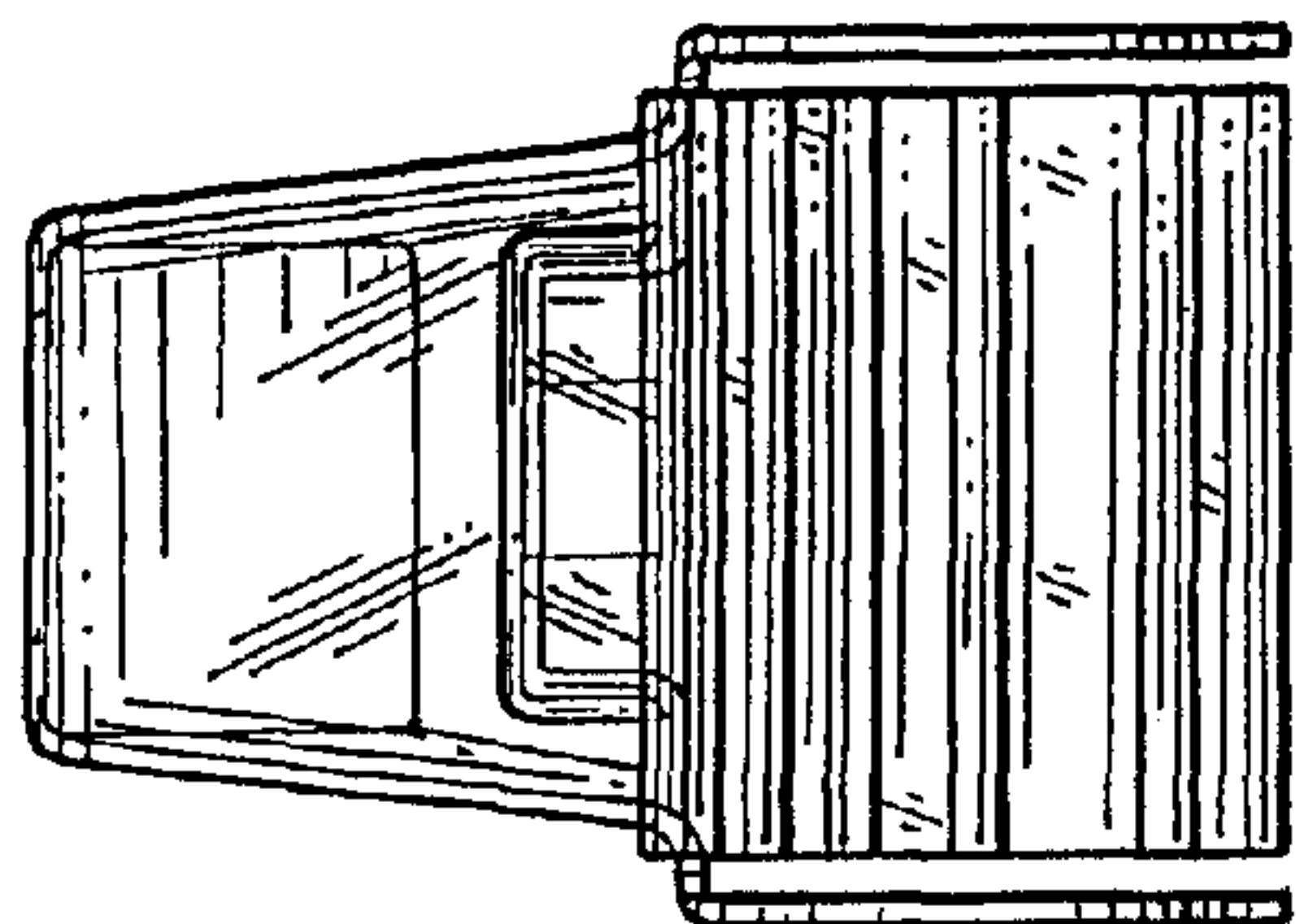


FIG. 4

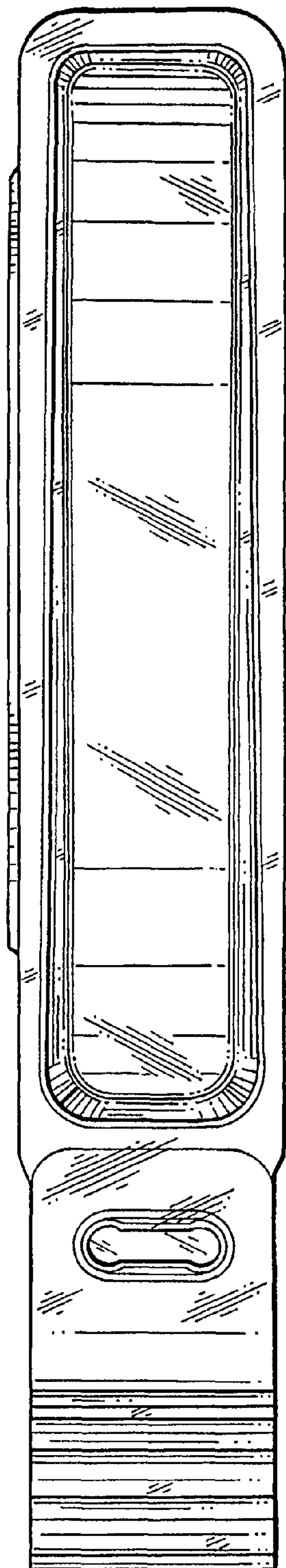


FIG. 6

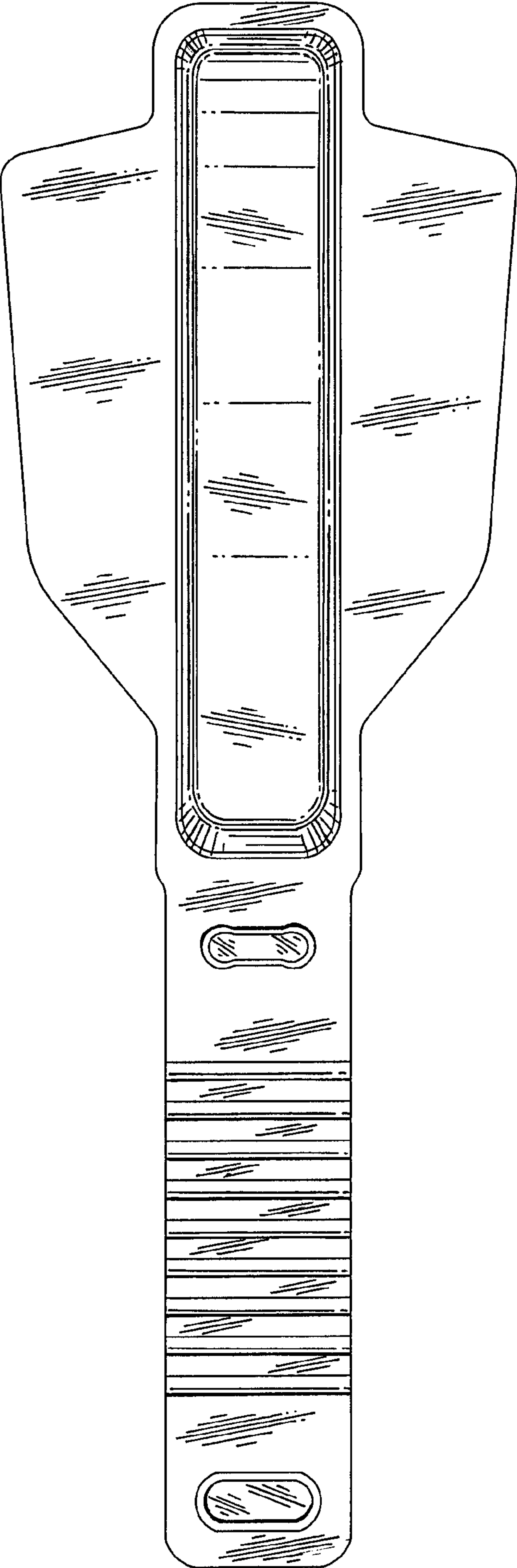


FIG. 7