



US00D714626S

(12) **United States Design Patent**
Trifari, Jr.

(10) **Patent No.:** **US D714,626 S**
(45) **Date of Patent:** **** Oct. 7, 2014**

- (54) **COUPLING APPARATUS**
- (71) Applicant: **Edmund F. Trifari, Jr.**, West Hartford, CT (US)
- (72) Inventor: **Edmund F. Trifari, Jr.**, West Hartford, CT (US)
- (**) Term: **14 Years**
- (21) Appl. No.: **29/447,820**
- (22) Filed: **Mar. 7, 2013**
- (51) **LOC (10) Cl.** **08-08**
- (52) **U.S. Cl.**
USPC **D8/382; D8/354**
- (58) **Field of Classification Search**
USPC D8/382, 354, 349, 367, 394; 248/200, 248/300, 301, 215
See application file for complete search history.

D584,939 S *	1/2009	Snell	D8/367
D617,998 S *	6/2010	Goodman et al.	D6/323
7,789,365 B2 *	9/2010	Durig et al.	248/300
D627,851 S *	11/2010	Swan	D22/108
D663,190 S *	7/2012	Mota et al.	D8/349
D666,083 S *	8/2012	Mackay	D8/367
D666,484 S *	9/2012	Heindl	D8/382
D697,785 S *	1/2014	Davis	D8/367

* cited by examiner

Primary Examiner — Sheryl Lane
(74) *Attorney, Agent, or Firm* — McCormick Paulding & Huber LLP

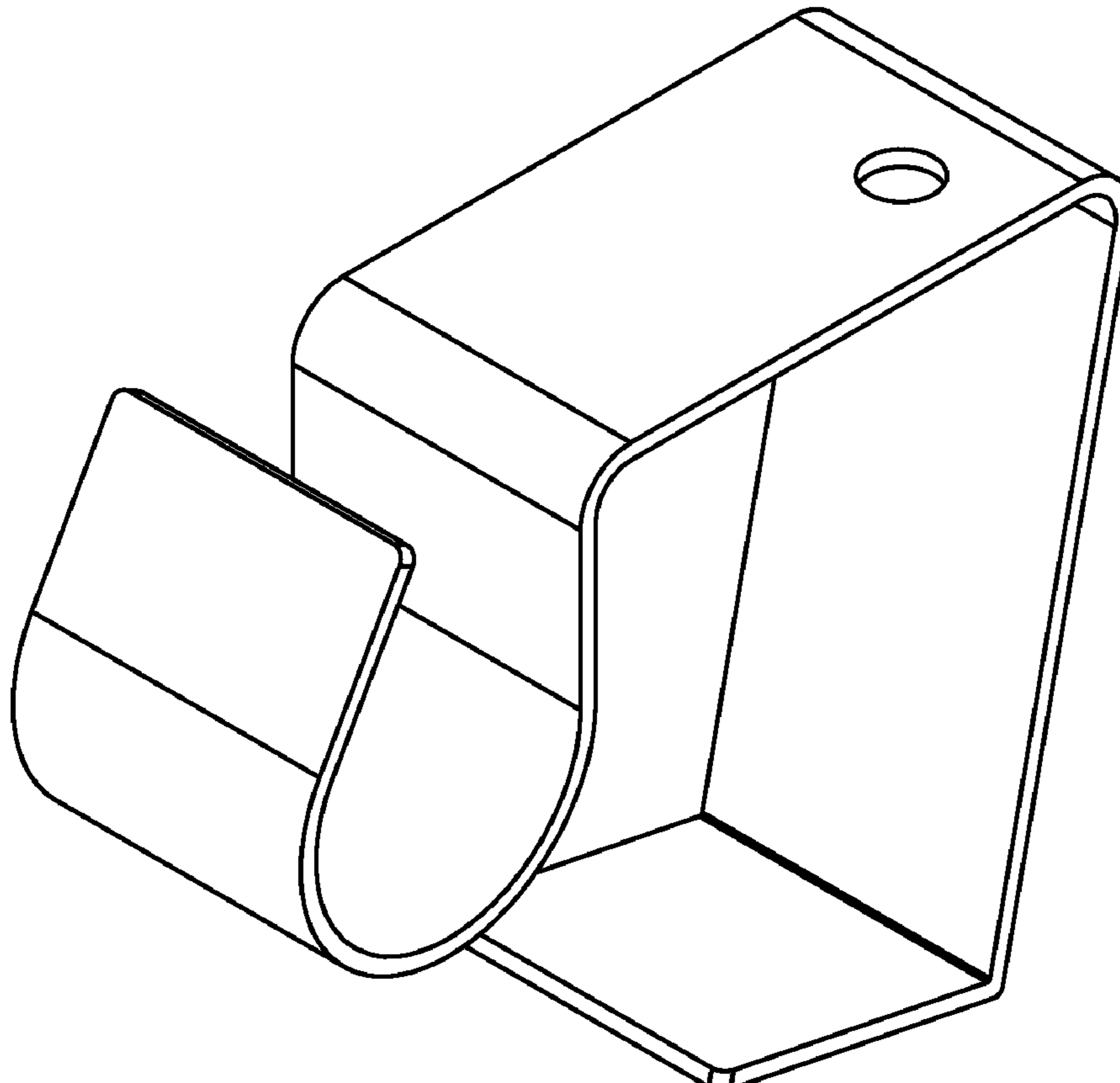
(57) **CLAIM**
The ornamental design for a coupling apparatus, as shown and described.

DESCRIPTION

FIG. 1 is a perspective view of a coupling apparatus showing a new design;
FIG. 2 is a right side elevational view thereof, the left side being a mirror image;
FIG. 3 is top plan view thereof;
FIG. 4 is a bottom plan view thereof;
FIG. 5 is a front elevational view thereof; and,
FIG. 6 is rear elevational view thereof.

1 Claim, 2 Drawing Sheets

- (56) **References Cited**
U.S. PATENT DOCUMENTS
D318,608 S * 7/1991 Schenker D8/382
D342,889 S * 1/1994 Adams D8/367
D377,309 S * 1/1997 Hofman D8/372
5,885,024 A * 3/1999 Zupan et al. 403/389
D532,291 S * 11/2006 Geers D8/394



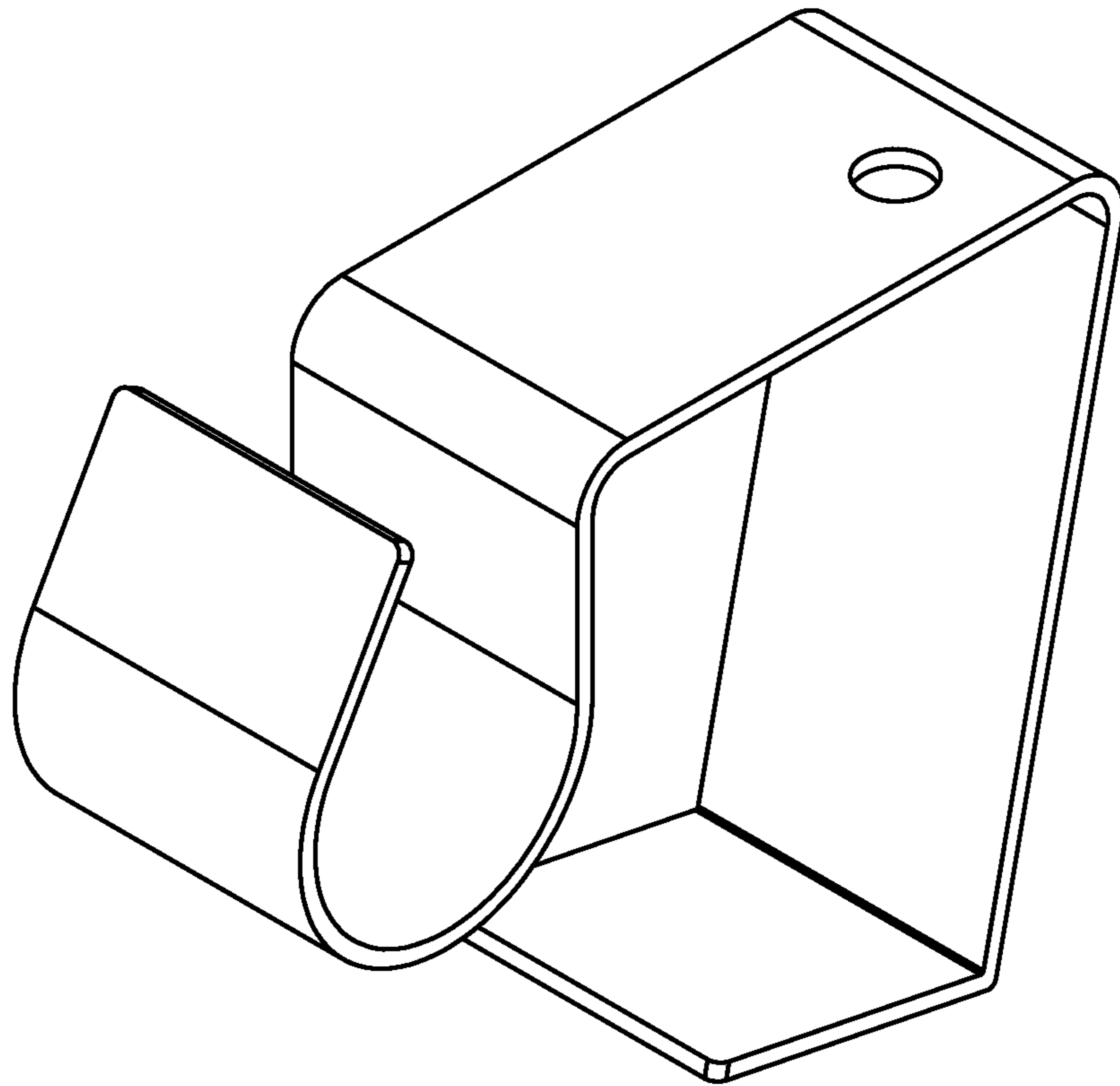


FIG. 1

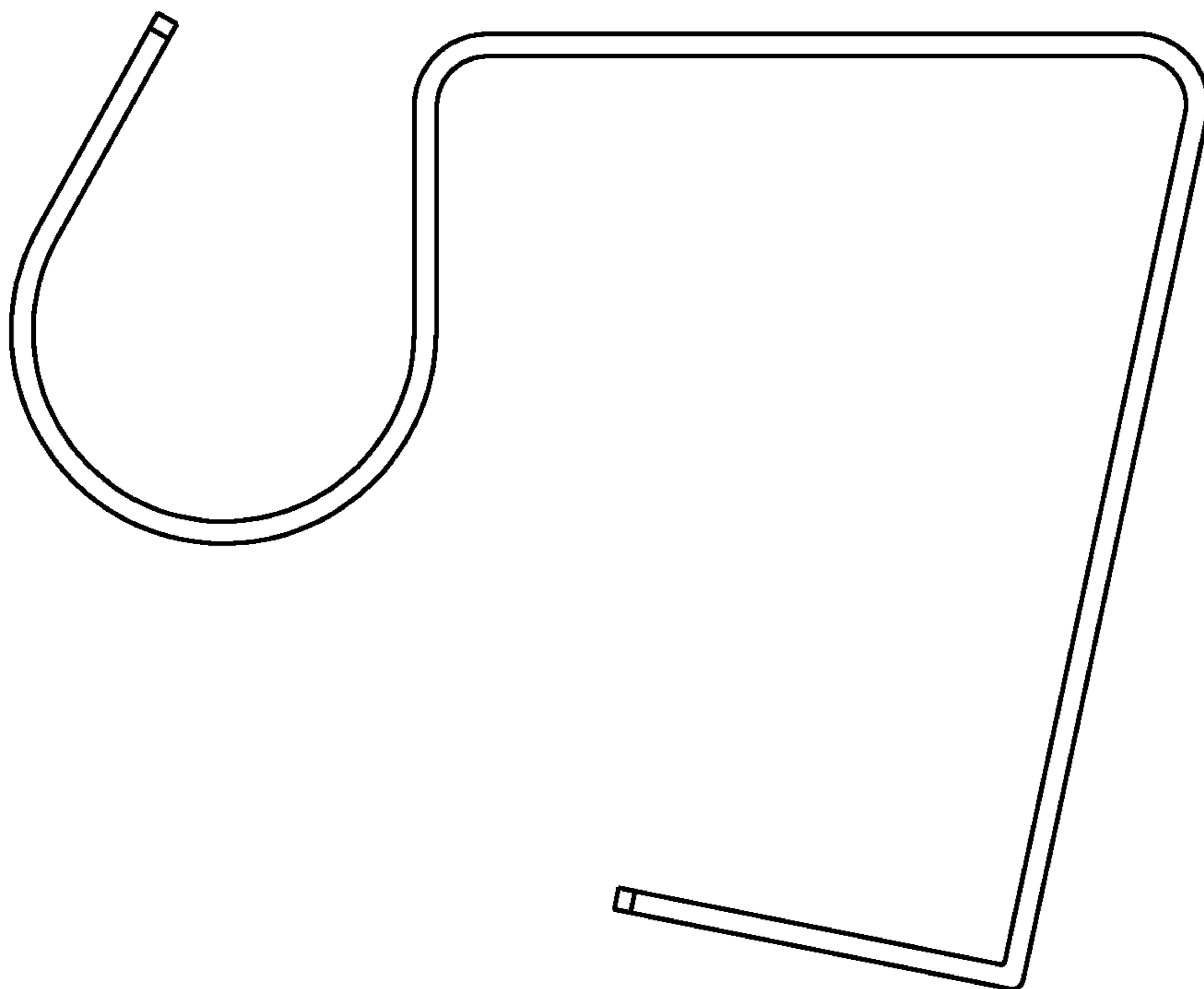


FIG. 2

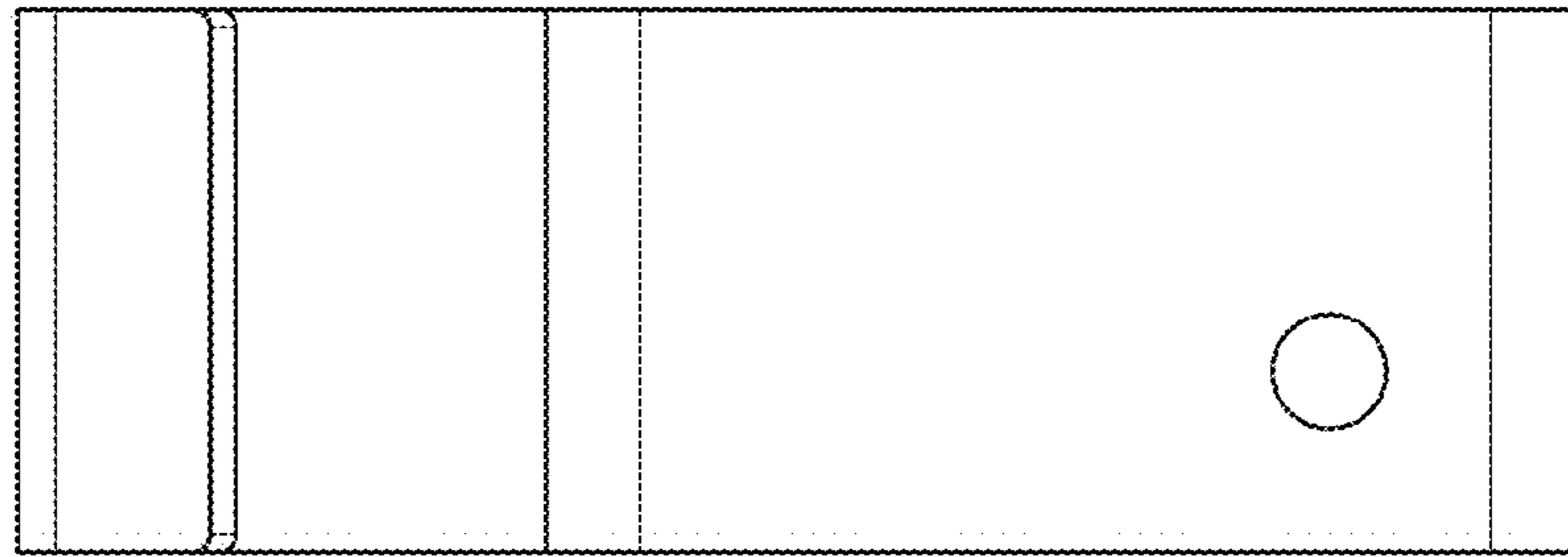


FIG. 3

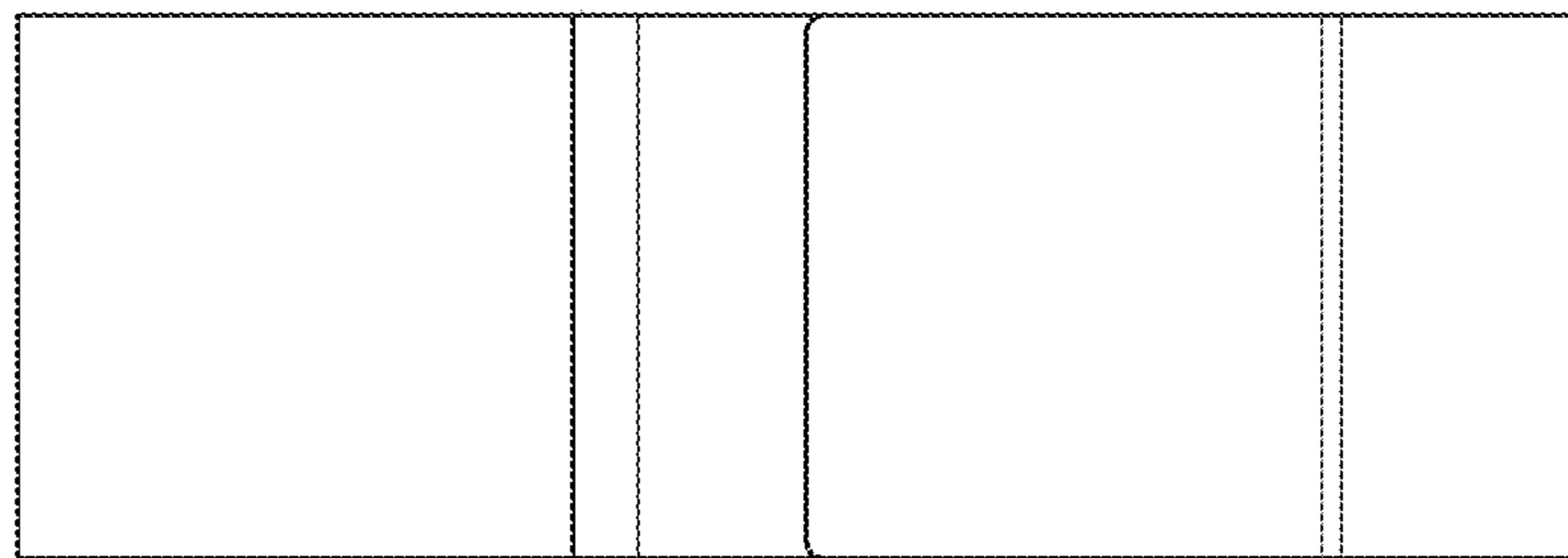


FIG. 4

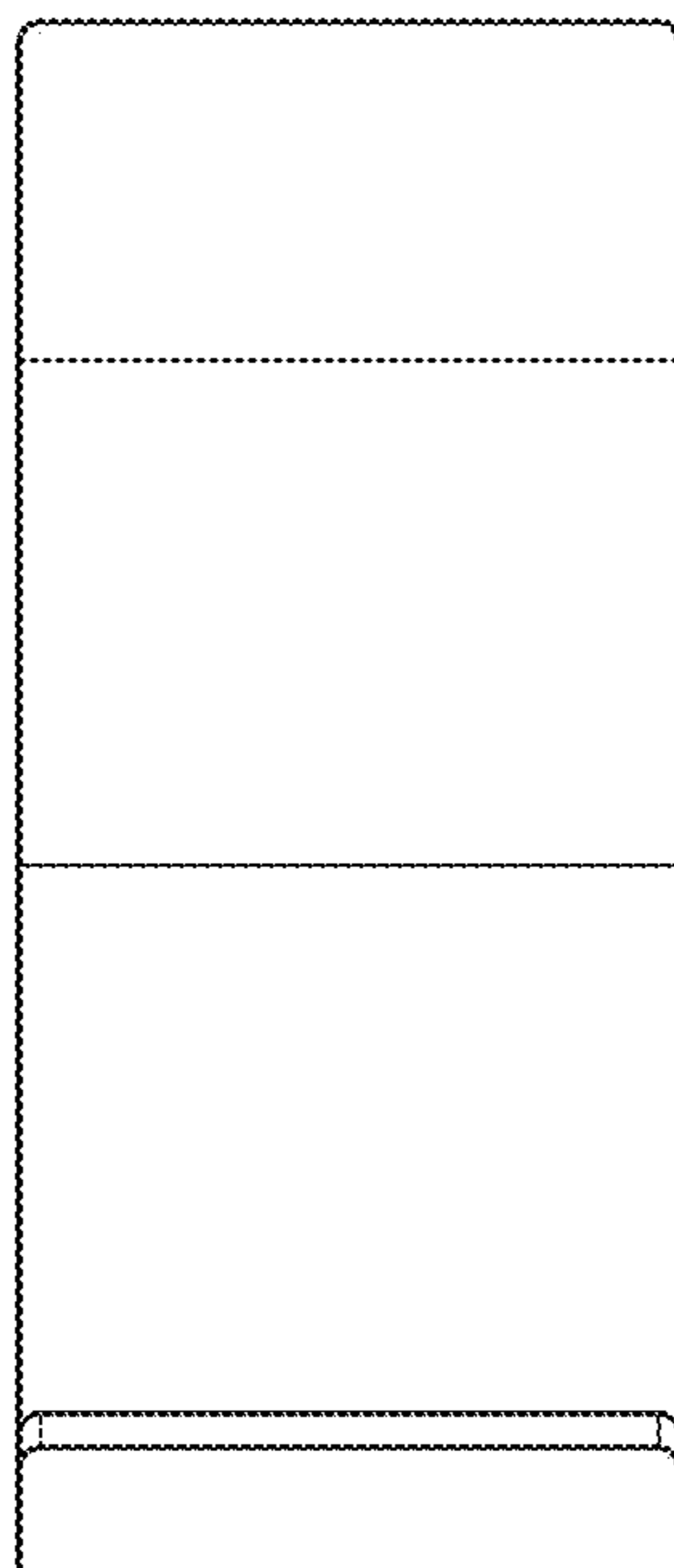


FIG. 5

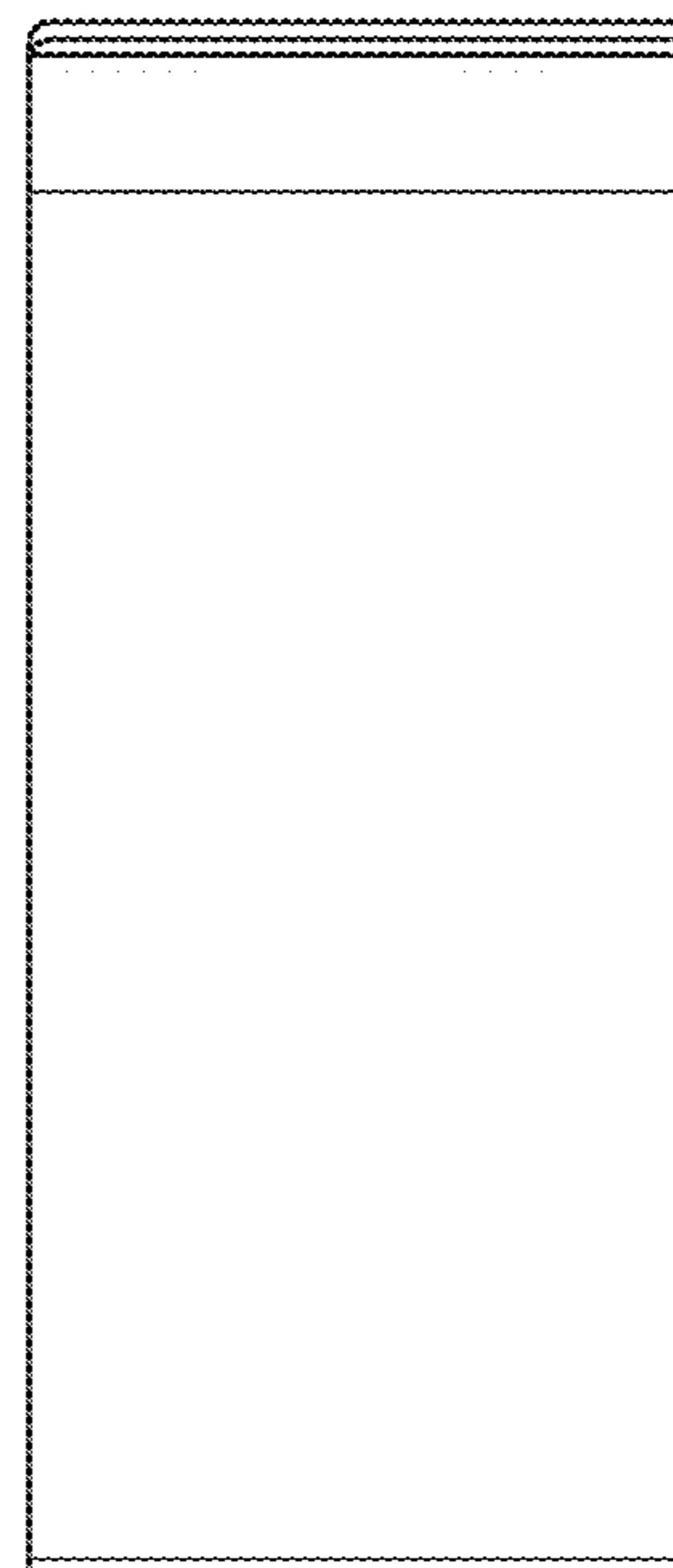


FIG. 6