



US00D714624S

(12) **United States Design Patent**  
**Cayouette**

(10) **Patent No.:** **US D714,624 S**

(45) **Date of Patent:** **\*\* Oct. 7, 2014**

(54) **WALL BRACKET SUPPORT**

(75) Inventor: **Francis Cayouette**, Hoersholm (DK)

(73) Assignee: **Inter Ikea Systems B.V.**, Delft (NL)

(\*\*) Term: **14 Years**

(21) Appl. No.: **29/420,293**

(22) Filed: **May 7, 2012**

(51) **LOC (10) Cl.** ..... **08-05**

(52) **U.S. Cl.**  
USPC ..... **D8/381**

(58) **Field of Classification Search**  
USPC ..... D8/381, 380, 354, 349, 366, 353, 363,  
D8/356, 373, 376, 377; 248/200, 243, 247,  
248/251, 237, 235, 248, 249, 250, 300, 544,  
248/588, 242, 314, 267, 265, 207;  
D25/164, 119, 131, 126, 121; 108/152,  
108/108; 174/68.1, 73.1, 57, 48, 135;  
52/687, 686, 506.07, 506.06, 426;  
D6/572, 574, 555; D34/16  
See application file for complete search history.

(56) **References Cited**

**U.S. PATENT DOCUMENTS**

|           |      |         |               |       |          |
|-----------|------|---------|---------------|-------|----------|
| 4,411,401 | A *  | 10/1983 | Anderson      | ..... | 248/262  |
| 4,553,464 | A *  | 11/1985 | Turner et al. | ..... | 83/865   |
| 5,718,092 | A *  | 2/1998  | Corston       | ..... | 52/403.1 |
| 6,186,457 | B1 * | 2/2001  | Carter        | ..... | 248/251  |

|              |      |         |                 |       |          |
|--------------|------|---------|-----------------|-------|----------|
| 6,263,636    | B1 * | 7/2001  | Corston         | ..... | 52/741.1 |
| D513,970     | S *  | 1/2006  | Sterling et al. | ..... | D8/381   |
| D526,887     | S *  | 8/2006  | Remmers et al.  | ..... | D8/373   |
| D543,094     | S *  | 5/2007  | Remmers         | ..... | D8/377   |
| D548,064     | S *  | 8/2007  | Norton          | ..... | D8/380   |
| D585,667     | S *  | 2/2009  | Levy et al.     | ..... | D6/467   |
| D592,945     | S *  | 5/2009  | Mahan           | ..... | D8/381   |
| 8,276,860    | B2 * | 10/2012 | Ye              | ..... | 248/201  |
| 2014/0000926 | A1 * | 1/2014  | Badowski        | ..... | 174/50   |

\* cited by examiner

*Primary Examiner* — Robert M Spear

*Assistant Examiner* — Eliza Bennett-Hattan

(74) *Attorney, Agent, or Firm* — Novak Druce Connolly  
Bove + Quigg LLP

(57) **CLAIM**

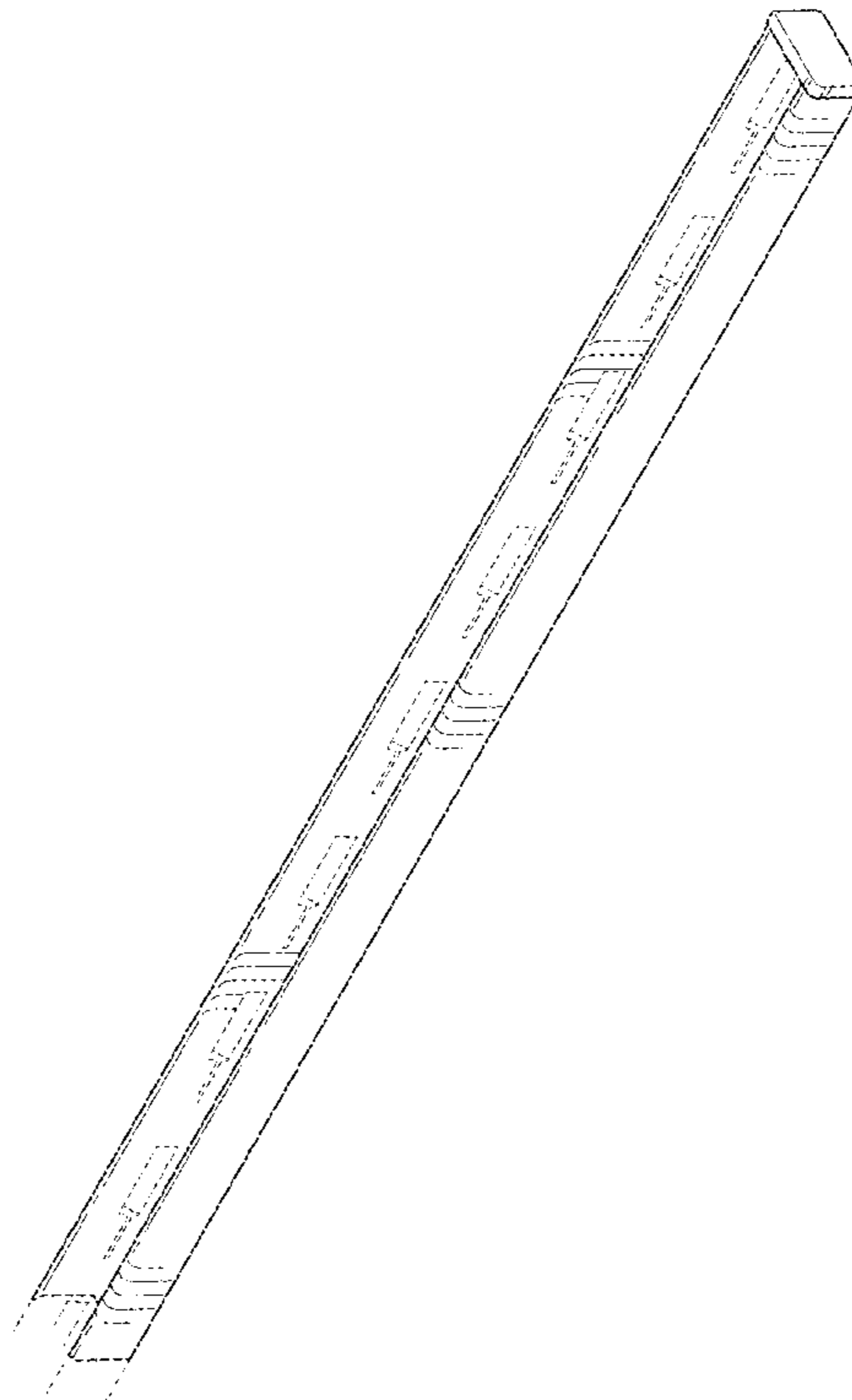
I claim the ornamental design for a wall bracket support, as shown and described.

**DESCRIPTION**

FIG. 1 is a perspective view of a wall bracket support;  
FIG. 2 is a rear elevational view thereof;  
FIG. 3 is a front elevational view thereof;  
FIG. 4 is a right side elevational view thereof;  
FIG. 5 is a left side elevational view thereof; and,  
FIG. 6 is a top plan view thereof.

The broken lines interior of the claimed article depict unclaimed portions thereof; the other broken lines are directed to environment and are for illustrative purposes only; the broken lines form no part of the claimed design.

**1 Claim, 3 Drawing Sheets**



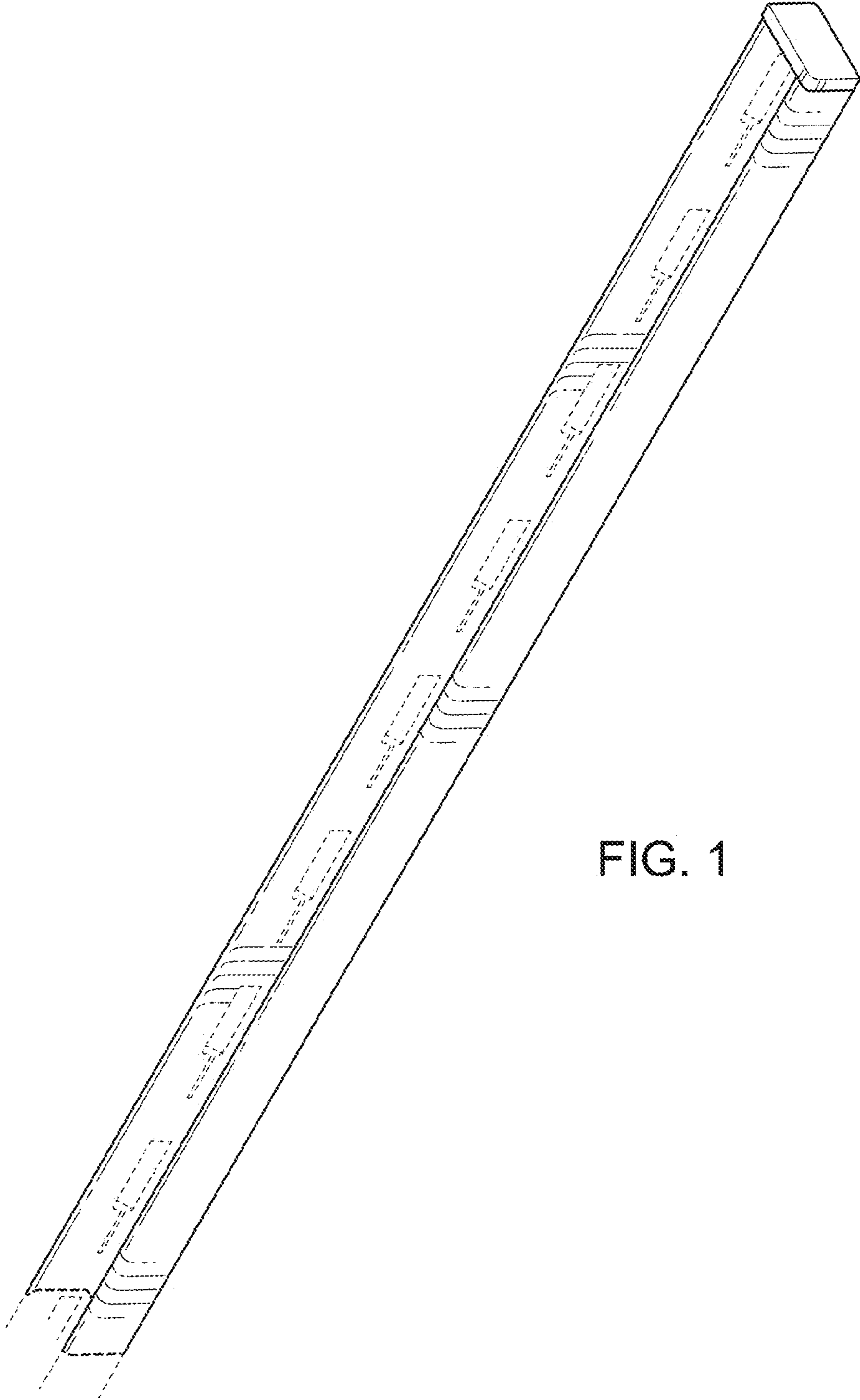


FIG. 1

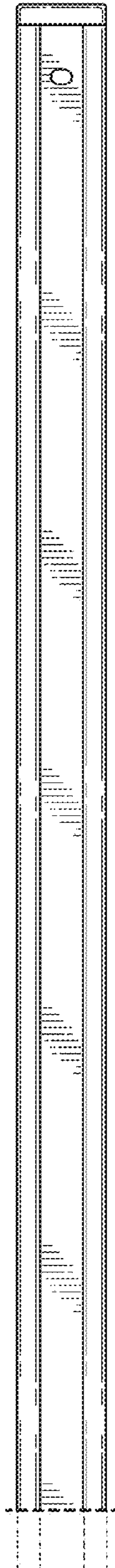


FIG. 2

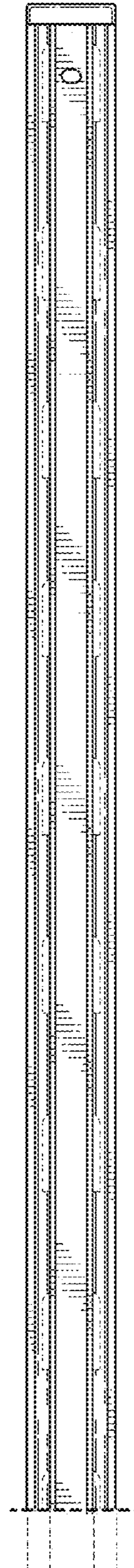


FIG. 3



FIG. 4



FIG. 5



FIG. 6