



US00D714619S

(12) **United States Design Patent**  
**Bainbridge**

(10) **Patent No.:** **US D714,619 S**

(45) **Date of Patent:** **\*\* Oct. 7, 2014**

(54) **COMBINED CORD LOCK AND STAKE**

*Primary Examiner* — Cynthia Underwood

(71) Applicant: **James R. Bainbridge**, Marcellus, MI  
(US)

(74) *Attorney, Agent, or Firm* — Flynn, Thiel, Boutell & Tanis, P.C.

(72) Inventor: **James R. Bainbridge**, Marcellus, MI  
(US)

(57) **CLAIM**

(\*\*) Term: **14 Years**

The ornamental designs for a combined cord lock and stake, as shown and described.

(21) Appl. No.: **29/457,030**

(22) Filed: **Jun. 6, 2013**

**DESCRIPTION**

**Related U.S. Application Data**

(63) Continuation-in-part of application No. 29/454,034, filed on May 6, 2013.

(51) **LOC (10) Cl.** ..... **08-05**

(52) **U.S. Cl.**  
USPC ..... **D8/356**

(58) **Field of Classification Search**  
USPC ..... D8/356, 354, 349, 499, 383, 395, 396;  
439/207, 208, 209, 210, 211, 445, 446,  
439/447; 248/68.1, 49, 74.4; 385/59, 137;  
604/179, 174, 93.01, 48, 19  
See application file for complete search history.

FIG. 1 is a top, front and right side isometric view of a first embodiment of a combined cord lock and stake embodying my new design, the top, front and left side isometric view being a mirror image thereof;

FIG. 2 is a top, rear and right side isometric view thereof, the top, rear and left side isometric view being a mirror image thereof;

FIG. 3 is a front view thereof;

FIG. 4 is a top view thereof;

FIG. 5 is a left side view thereof;

FIG. 6 is a right side view thereof;

FIG. 7 is a rear view thereof;

FIG. 8 is a bottom view thereof;

FIG. 9 is a top, front and right side isometric view of a second embodiment of a combined cord lock and stake embodying my new design, the top, front and left side isometric view being a mirror image thereof;

FIG. 10 is a top, rear and right side isometric view thereof, the top, rear and left side isometric view being a mirror image thereof;

FIG. 11 is a front view thereof;

FIG. 12 is a top view thereof;

FIG. 13 is a left side view thereof;

FIG. 14 is a right side view thereof;

FIG. 15 is a rear view thereof; and,

FIG. 16 is a bottom view thereof.

The broken lines shown represent unclaimed subject matter and form no part of the claimed design.

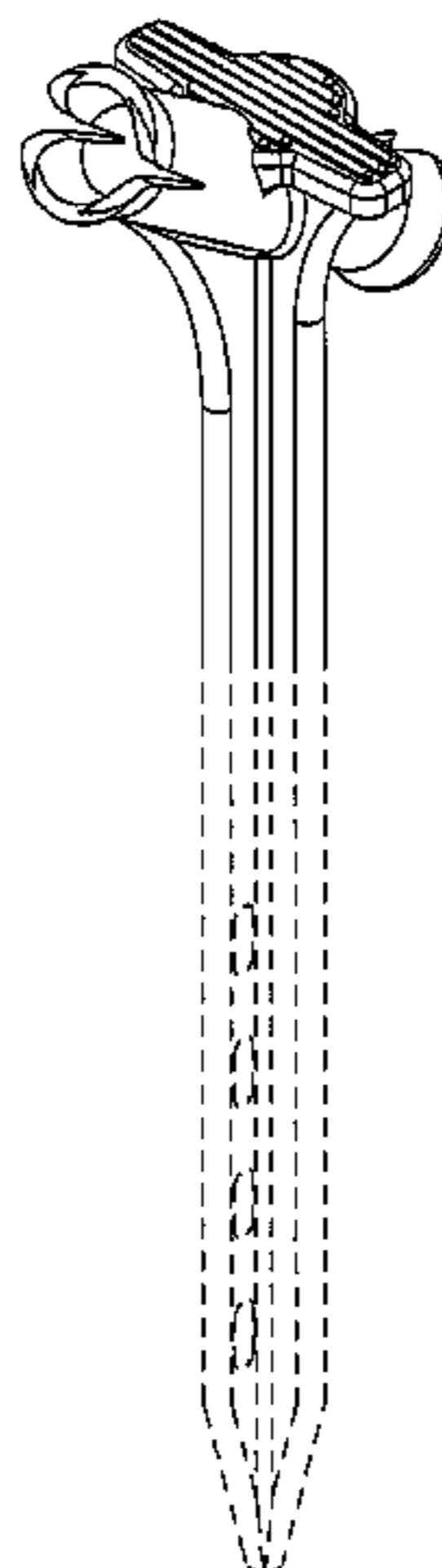
(56) **References Cited**

**U.S. PATENT DOCUMENTS**

D408,269 S *	4/1999	Ross	.....	D8/356
D411,950 S *	7/1999	Dinh et al.	.....	D8/356
D459,194 S *	6/2002	Johansson et al.	.....	D8/356
D470,034 S *	2/2003	Wu et al.	.....	D8/356
D473,448 S *	4/2003	Wu et al.	.....	D8/356
D477,770 S *	7/2003	Baker et al.	.....	D8/373
D487,536 S *	3/2004	Ågren	.....	D32/31
D488,372 S *	4/2004	Gambrell	.....	D8/356
D497,305 S *	10/2004	Perri et al.	.....	D8/356
D497,793 S *	11/2004	Votypka	.....	D8/356
D512,904 S *	12/2005	Thaler	.....	D8/356
7,249,728 B2 *	7/2007	Williamson	.....	242/566
7,302,900 B1	12/2007	Stefano	.....	
D576,406 S *	9/2008	Chan	.....	D3/318

(Continued)

**1 Claim, 8 Drawing Sheets**



# US D714,619 S

Page 2

---

(56)

## References Cited

### U.S. PATENT DOCUMENTS

D605,032 S \* 12/2009 Bushey ..... D8/402  
D625,986 S \* 10/2010 Kolasa ..... D8/356  
D628,465 S \* 12/2010 Hernandez ..... D8/356

D629,671 S \* 12/2010 Ohori et al. .... D8/356  
D646,555 S \* 10/2011 Galle ..... D8/356  
D671,392 S \* 11/2012 Von Euler ..... D8/356  
D674,380 S \* 1/2013 Soekoro ..... D14/250  
8,397,350 B2 3/2013 Yeames

\* cited by examiner

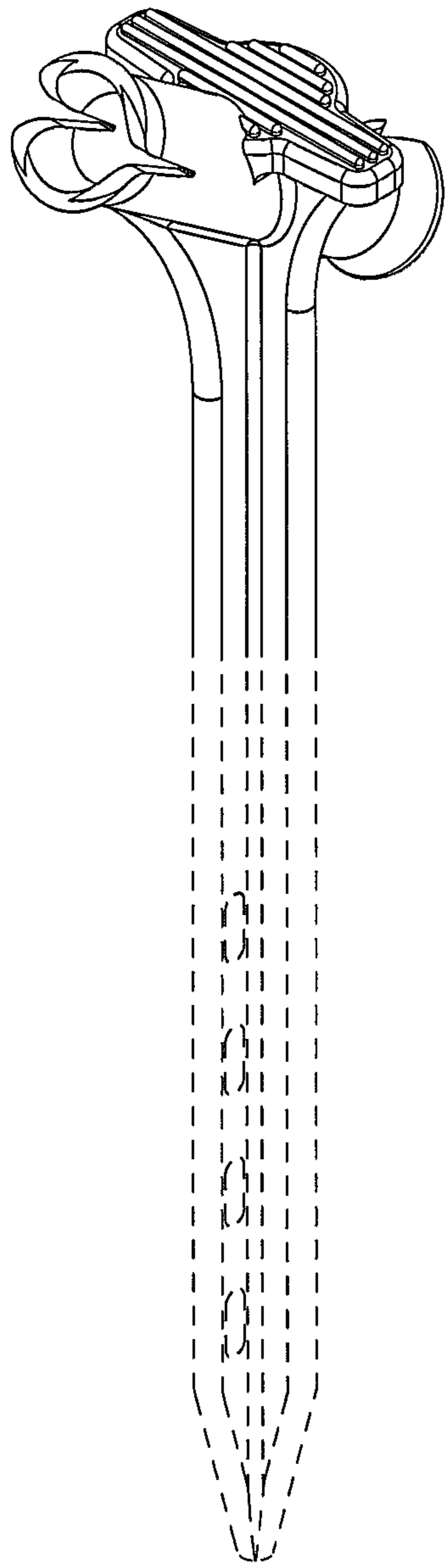


FIG. 1

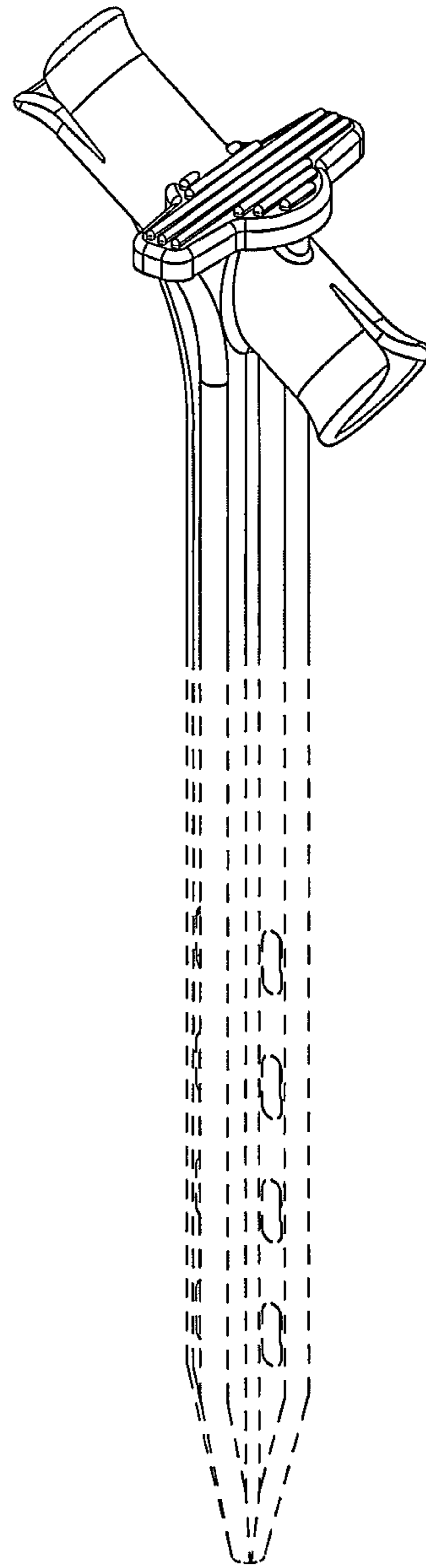


FIG. 2

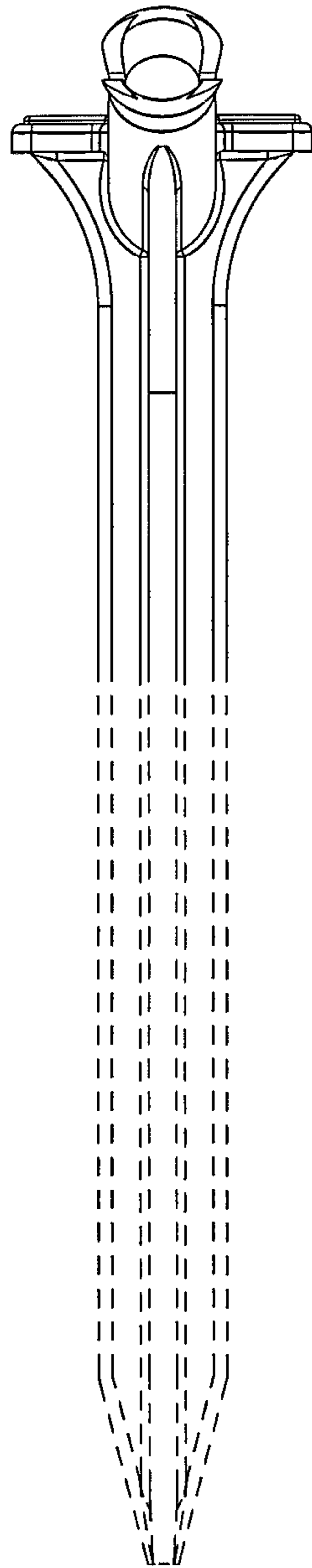


FIG. 3

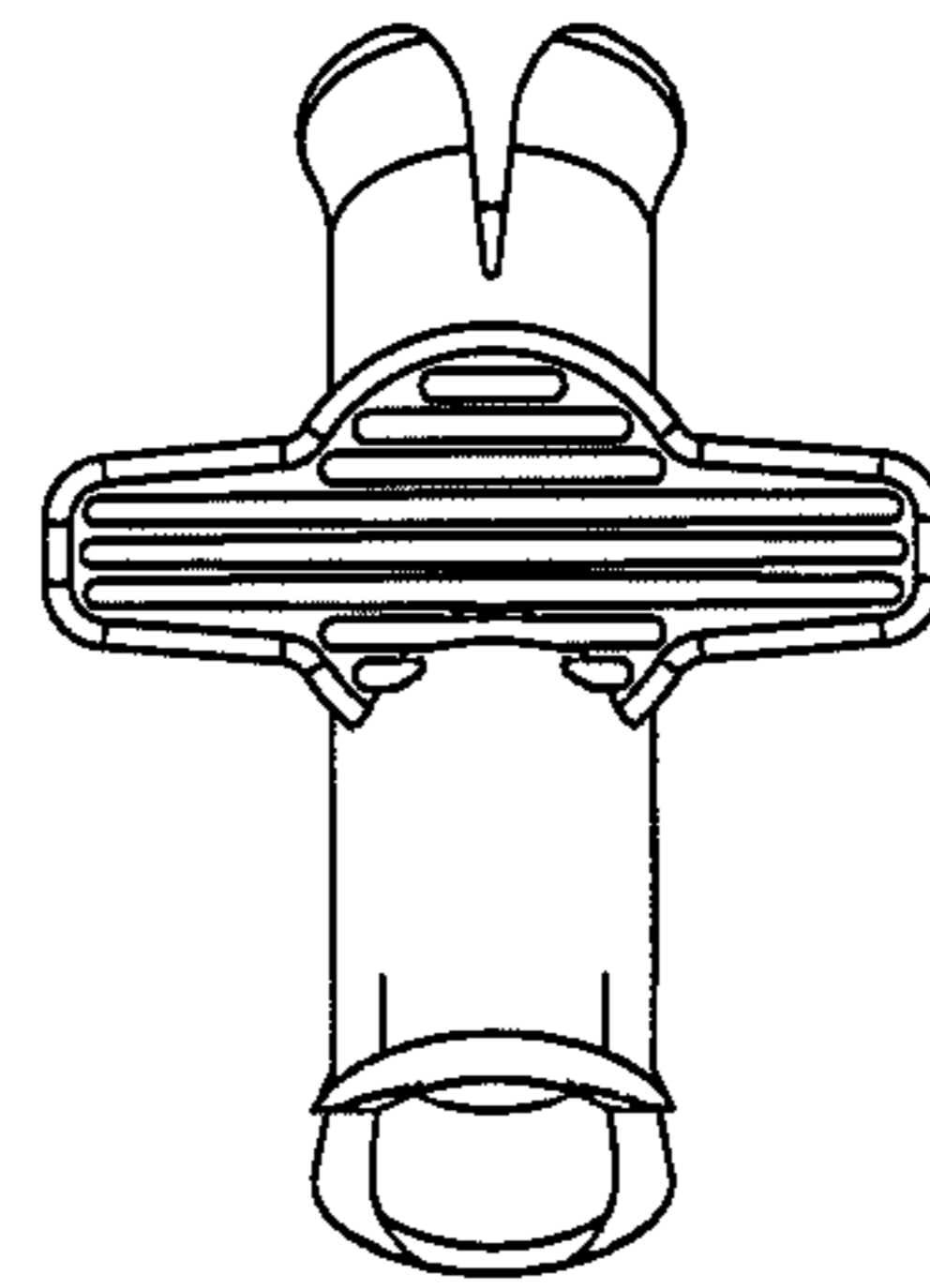


FIG. 4

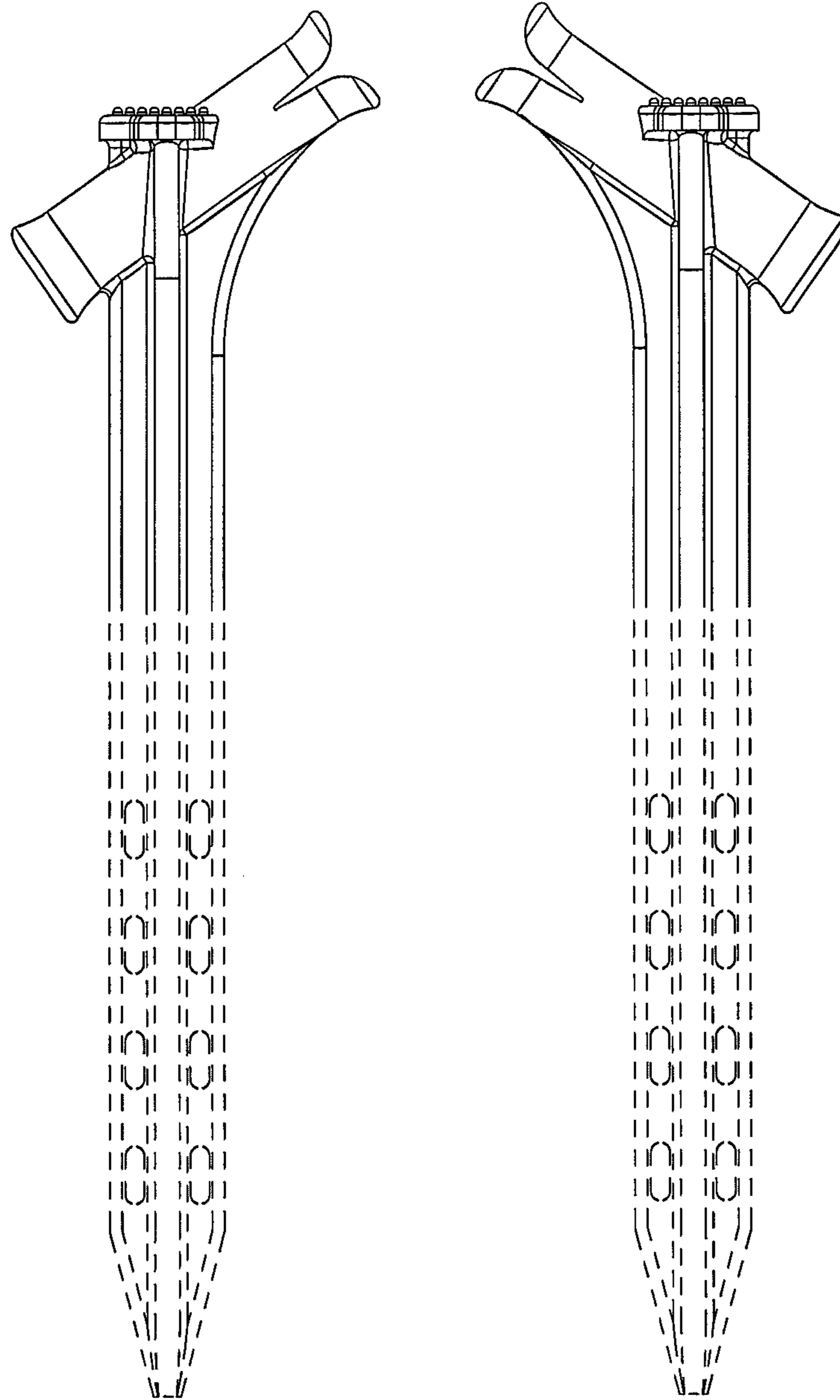


FIG. 5

FIG. 6

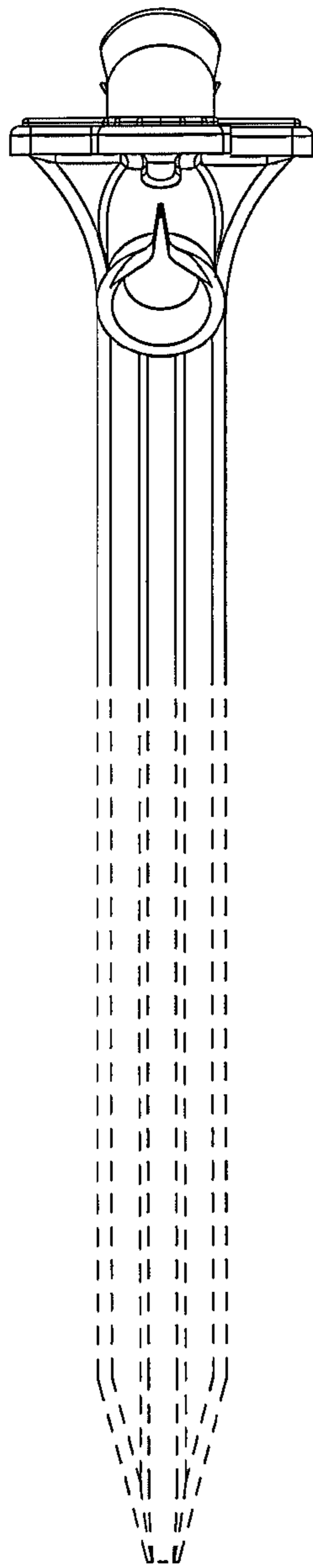


FIG. 7

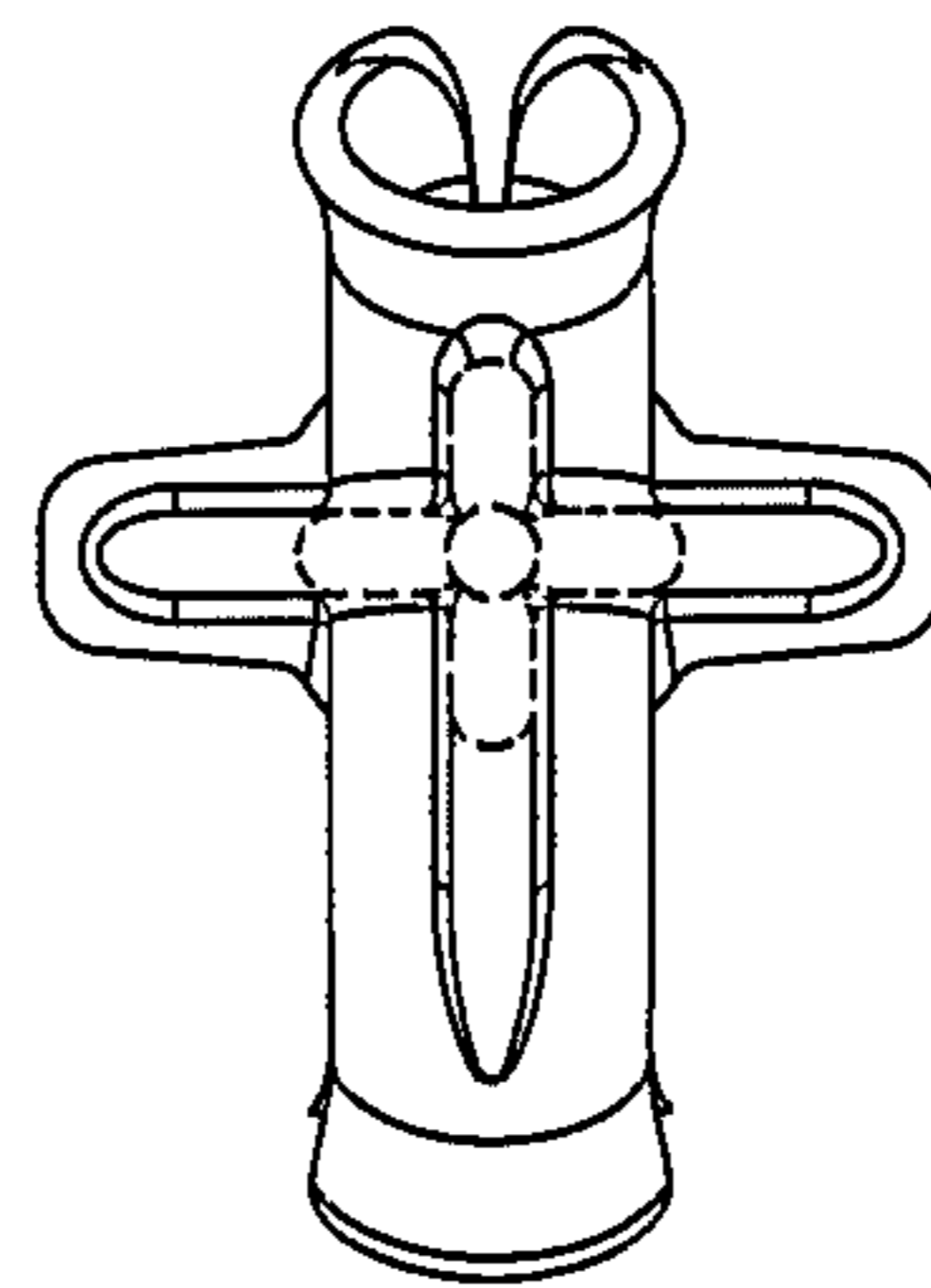


FIG. 8

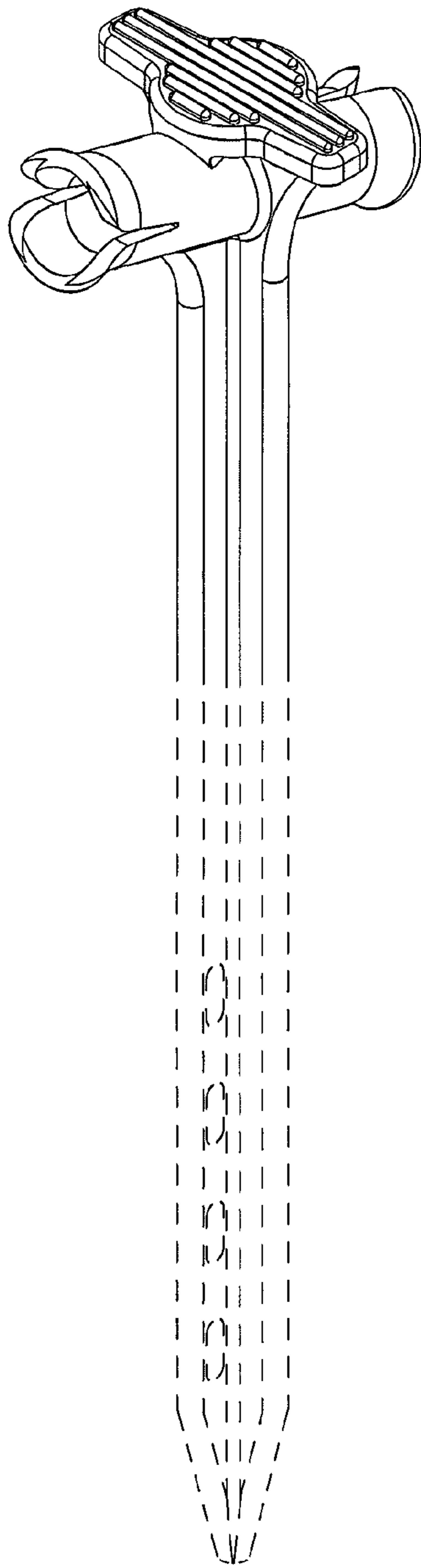


FIG. 9

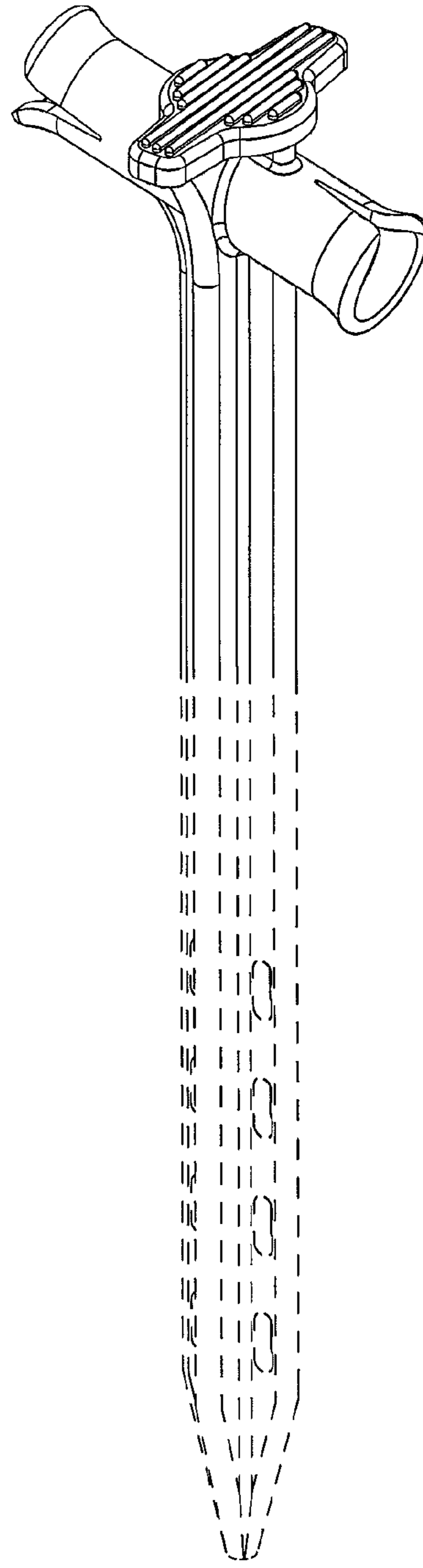


FIG. 10

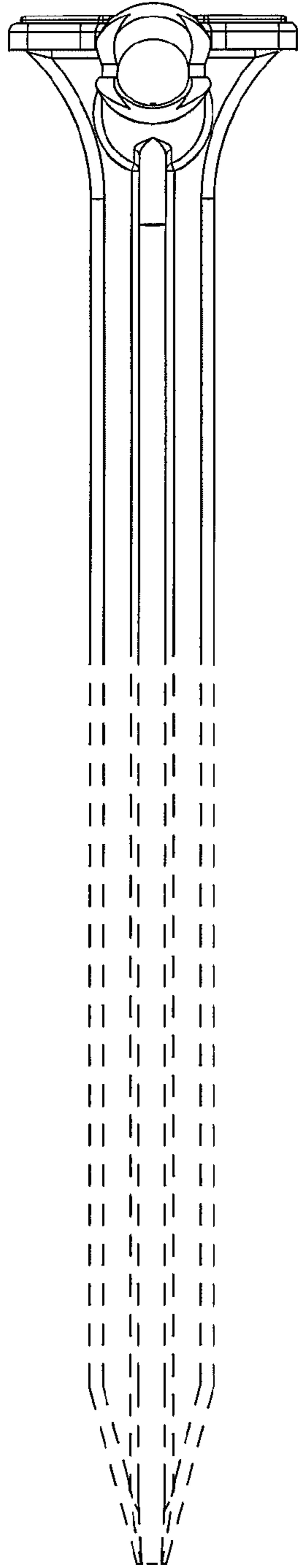


FIG. 11

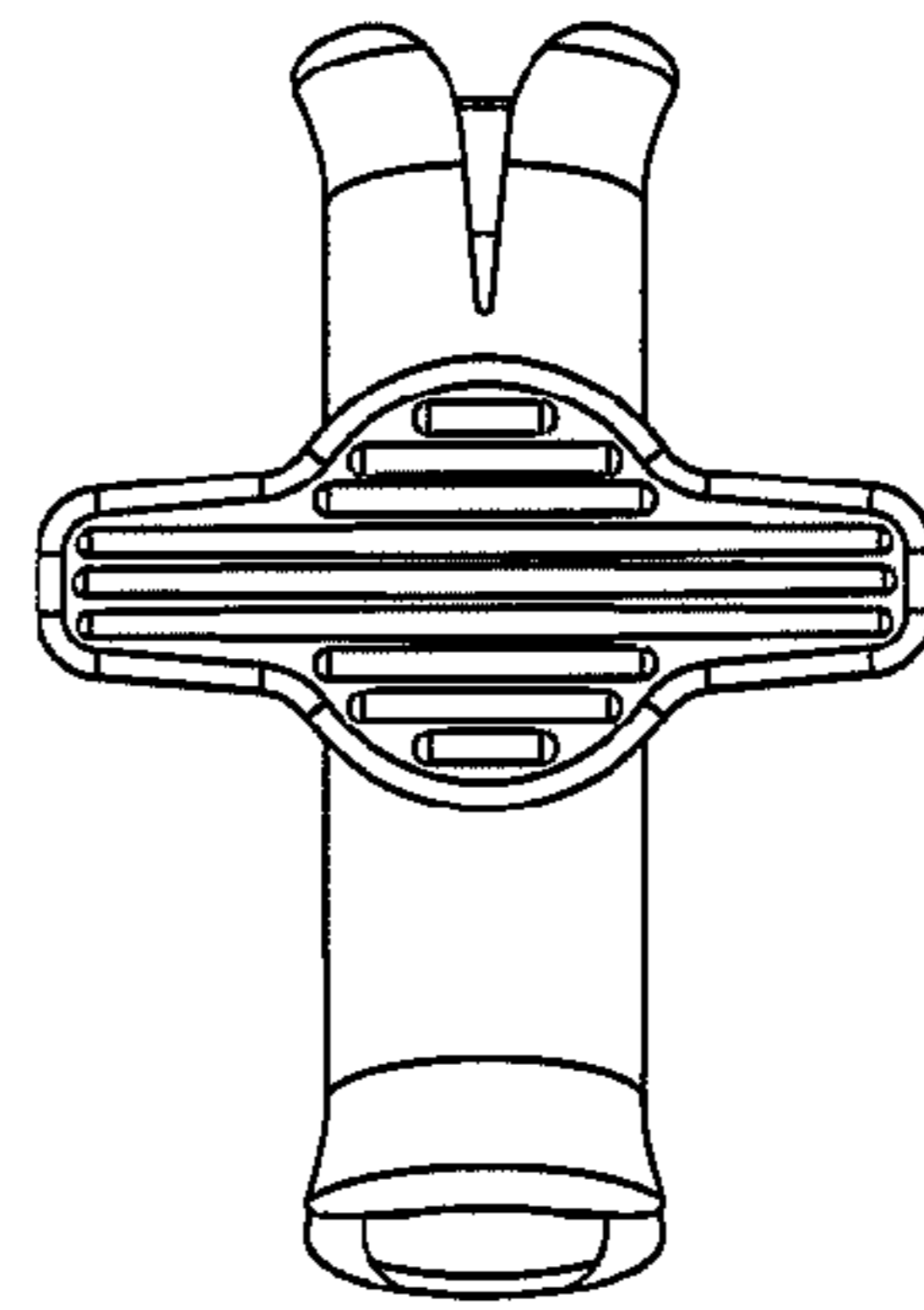


FIG. 12



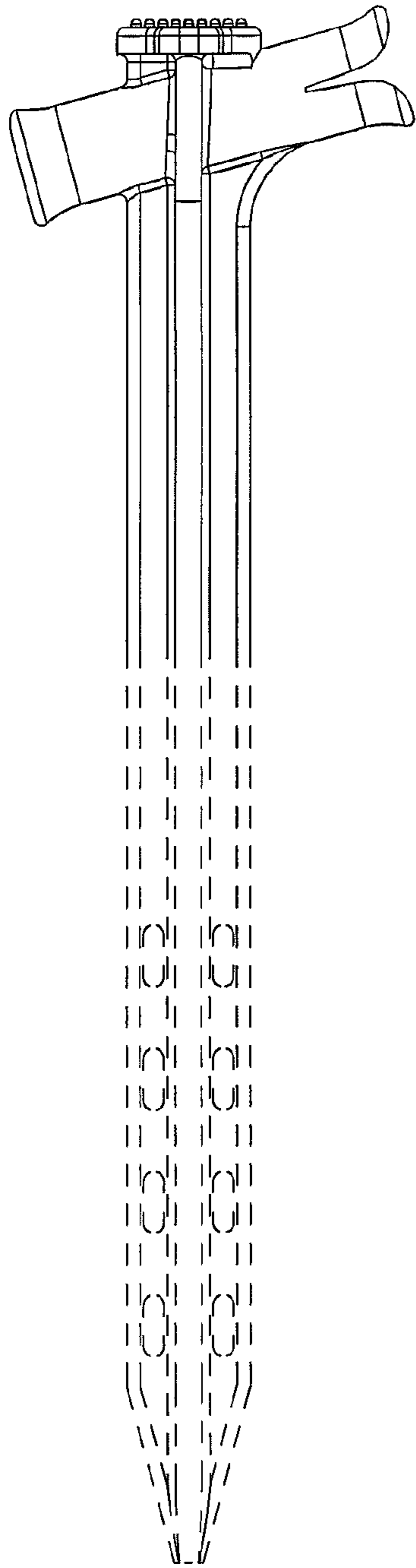


FIG. 13

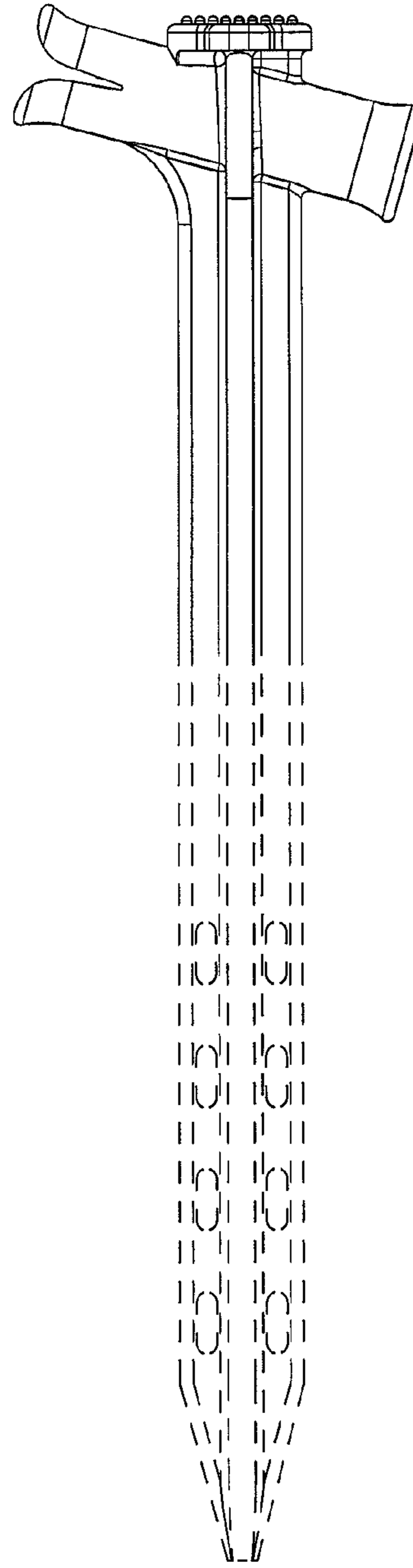


FIG. 14

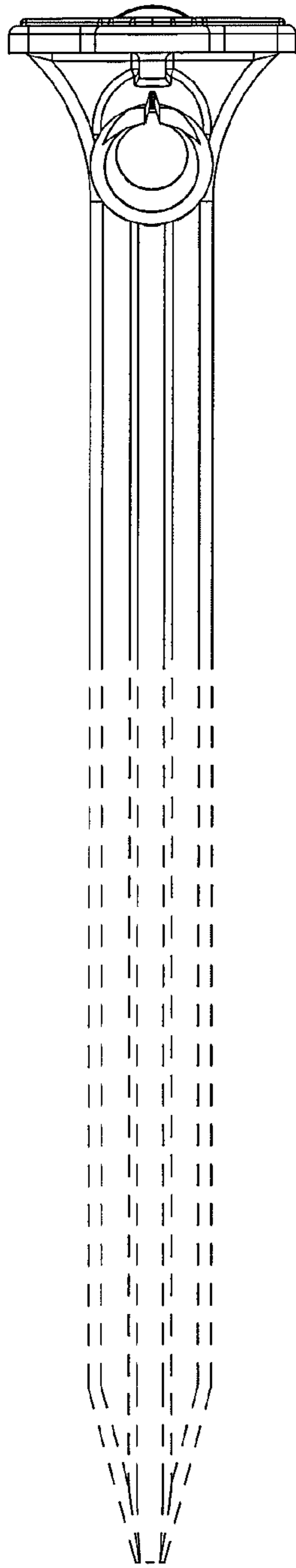


FIG. 15

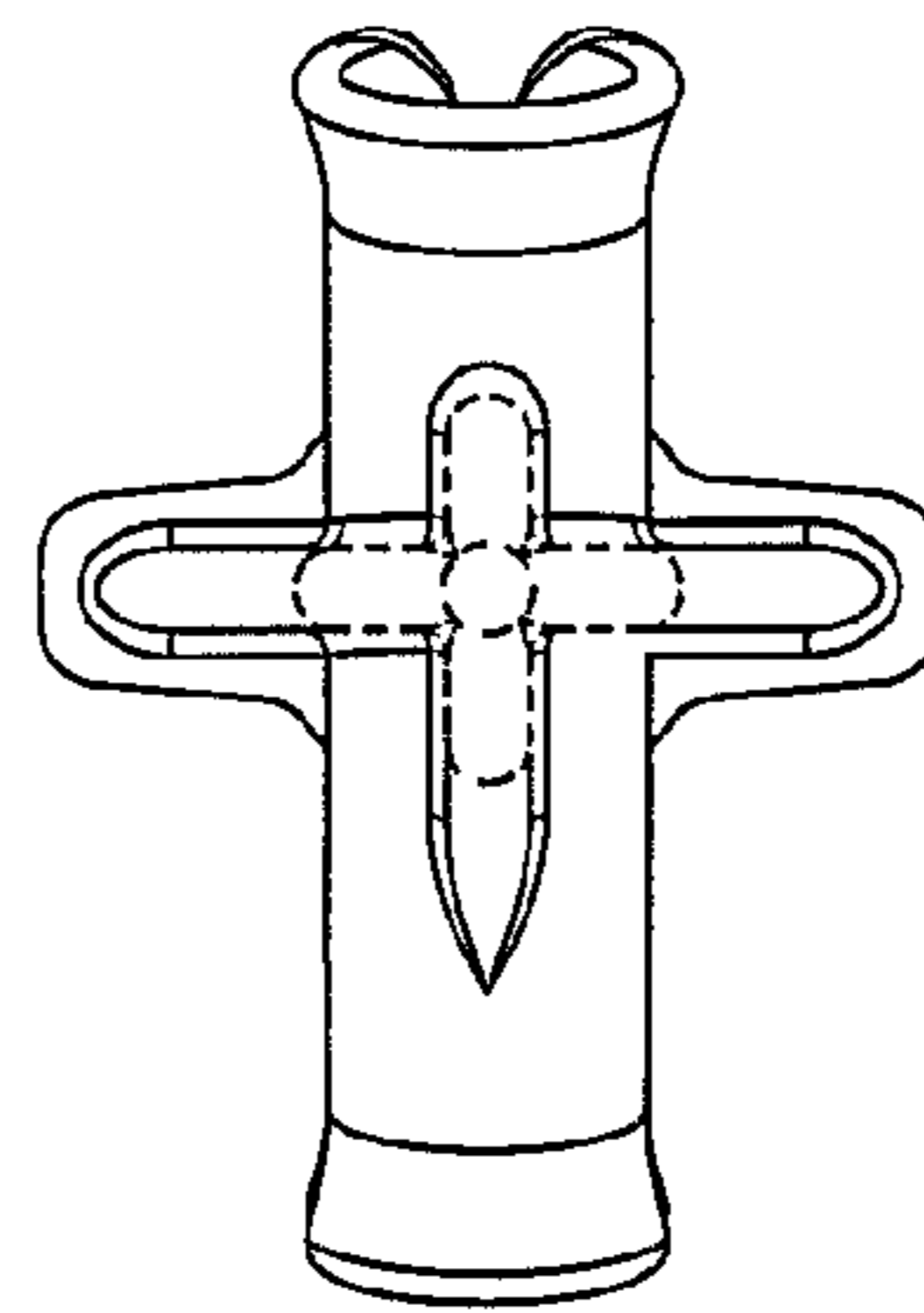


FIG. 16