



US00D714618S

(12) **United States Design Patent**
Zalzalal

(10) **Patent No.:** **US D714,618 S**

(45) **Date of Patent:** **** Oct. 7, 2014**

- (54) **HEX SPOOL FOR HOSE**
 - (71) Applicant: **Jim Zalzalal**, Oregon, IL (US)
 - (72) Inventor: **Jim Zalzalal**, Oregon, IL (US)
 - (73) Assignee: **Plews, Inc.**, Dixon, IL (US)
 - (**) Term: **14 Years**
 - (21) Appl. No.: **29/456,289**
 - (22) Filed: **May 30, 2013**
 - (51) **LOC (10) Cl.** **08-05**
 - (52) **U.S. Cl.**
USPC **D8/356**
 - (58) **Field of Classification Search**
USPC D8/356, 396, 367, 354, 349, 373;
136/246; D6/323; 248/301-304, 339,
248/205.3
- See application file for complete search history.

D395,815	S	*	7/1998	Walters et al.	D8/354
5,901,930	A	*	5/1999	Harrel	248/51
D428,325	S	*	7/2000	van Dreumel et al.	D8/354
D526,885	S	*	8/2006	Kelleghan	D8/356
D559,080	S	*	1/2008	Boote	D8/354
D568,722	S	*	5/2008	King	D8/354
D587,101	S	*	2/2009	Morgan	D8/356
D587,102	S	*	2/2009	Morgan	D8/356
D597,403	S	*	8/2009	Ho et al.	D8/396
D613,412	S	*	4/2010	DeCarlo	D24/186
D619,940	S	*	7/2010	Strang	D12/159
D620,781	S	*	8/2010	Weckworth	D8/356
D628,218	S	*	11/2010	Tommassini	D15/138
D655,598	S	*	3/2012	Hsu	D8/356
D674,271	S	*	1/2013	Rodwin	D8/356
D680,419	S	*	4/2013	Green et al.	D8/354
D682,071	S	*	5/2013	Persaud et al.	D8/356

* cited by examiner

Primary Examiner — Cynthia Underwood

(74) *Attorney, Agent, or Firm* — Reinhart Boerner Van Deuren P.C.

(57) **CLAIM**

I claim the ornamental design for the hex spool for hose, as shown and described.

(56) **References Cited**

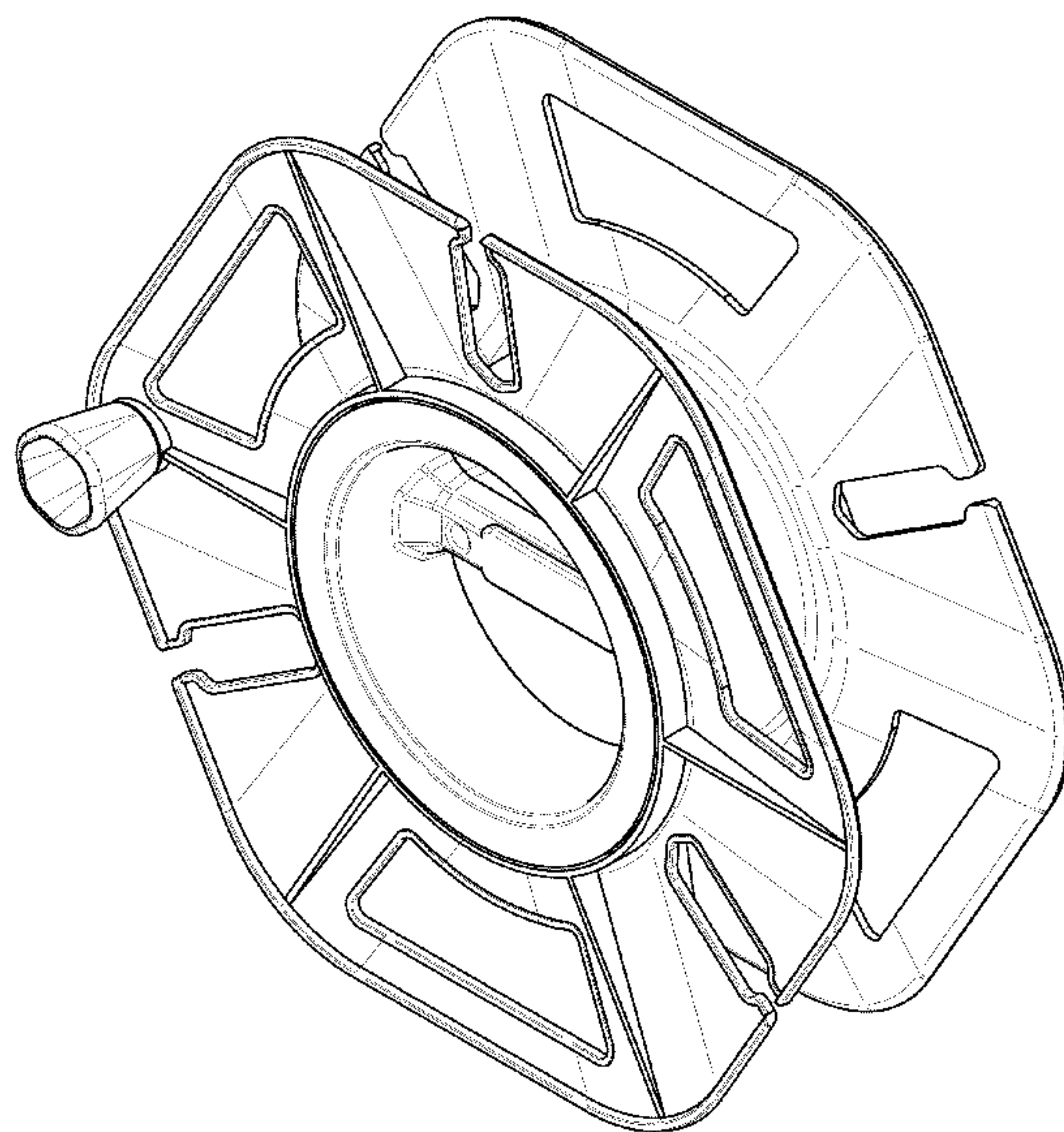
U.S. PATENT DOCUMENTS

450,378	A	*	4/1891	Robinson	451/461
1,342,001	A	*	6/1920	Schulte	429/121
D140,317	S	*	2/1945	Allen	D8/397
2,790,570	A	*	4/1957	Hodges et al.	215/260
3,123,879	A	*	3/1964	Boduroff et al.	403/217
3,132,822	A	*	5/1964	Arthur	242/613.4
3,308,703	A	*	3/1967	Sauer	83/676
3,363,216	A	*	1/1968	Benedetto	439/147
D308,933	S	*	7/1990	Hube et al.	D8/356
D315,667	S	*	3/1991	Johnson	D8/354
5,027,478	A	*	7/1991	Suhr	24/16 R
5,046,899	A	*	9/1991	Nishi	407/102
D340,942	S	*	11/1993	Smith	D17/99
D358,545	S	*	5/1995	Price	D8/356
D372,419	S	*	8/1996	Ikegami	D8/382
5,702,845	A	*	12/1997	Kawakami et al.	429/224

DESCRIPTION

FIG. 1 is a perspective view of the hex spool for hose for the present invention;
 FIG. 2 is a side view of the hex spool for hose;
 FIG. 3 is a front view of the hex spool for hose;
 FIG. 4 is a back view of the hex spool for hose;
 FIG. 5 is a side view of the hex spool for hose;
 FIG. 6 is a top view of the hex spool for hose showing the side opposite that shown in FIG. 2; and,
 FIG. 7 is a bottom view of the hex spool for hose.
 The broken lines used in the several views are for illustrative purposes only and form no part of the claimed design.

1 Claim, 4 Drawing Sheets



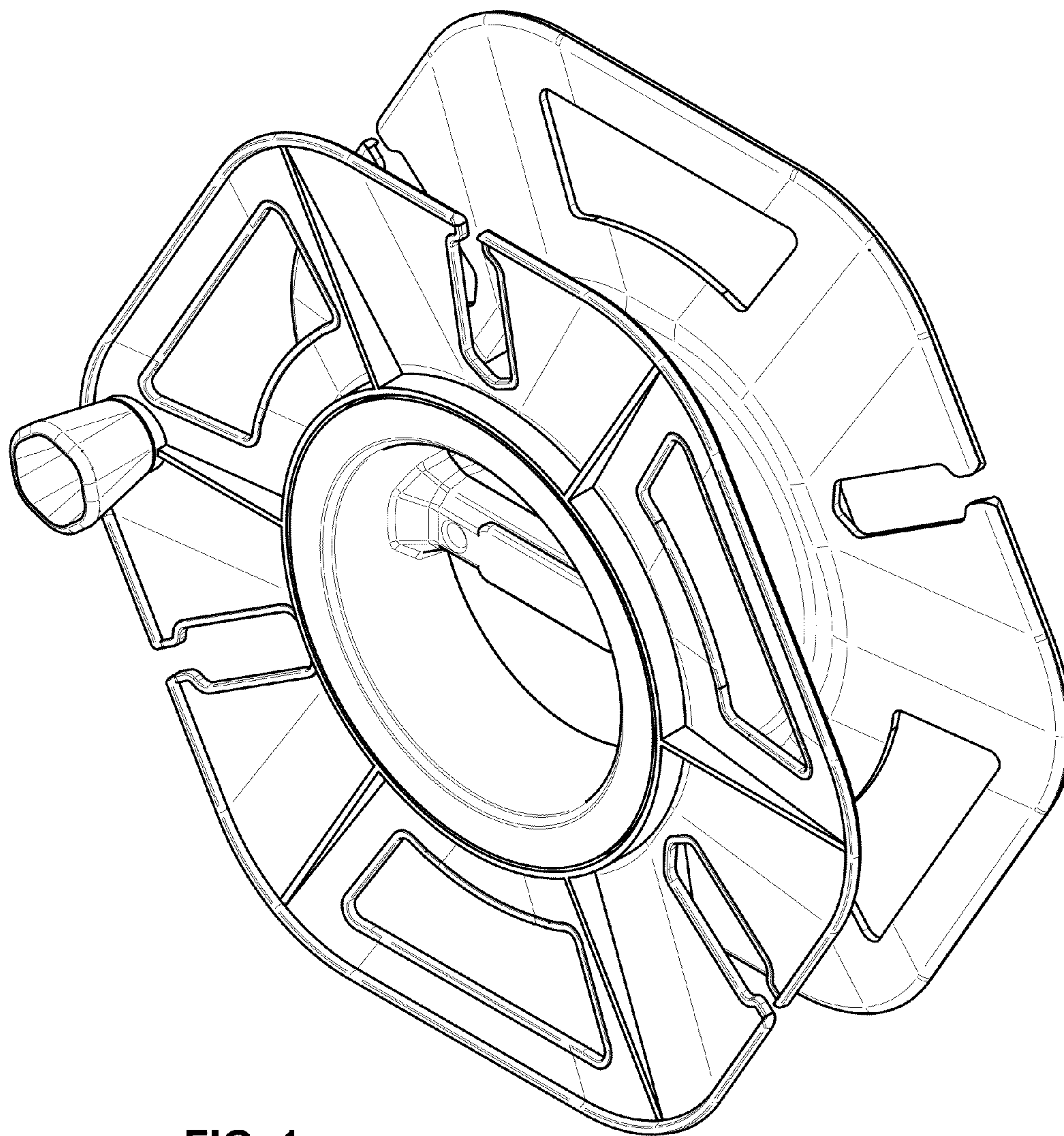


FIG. 1

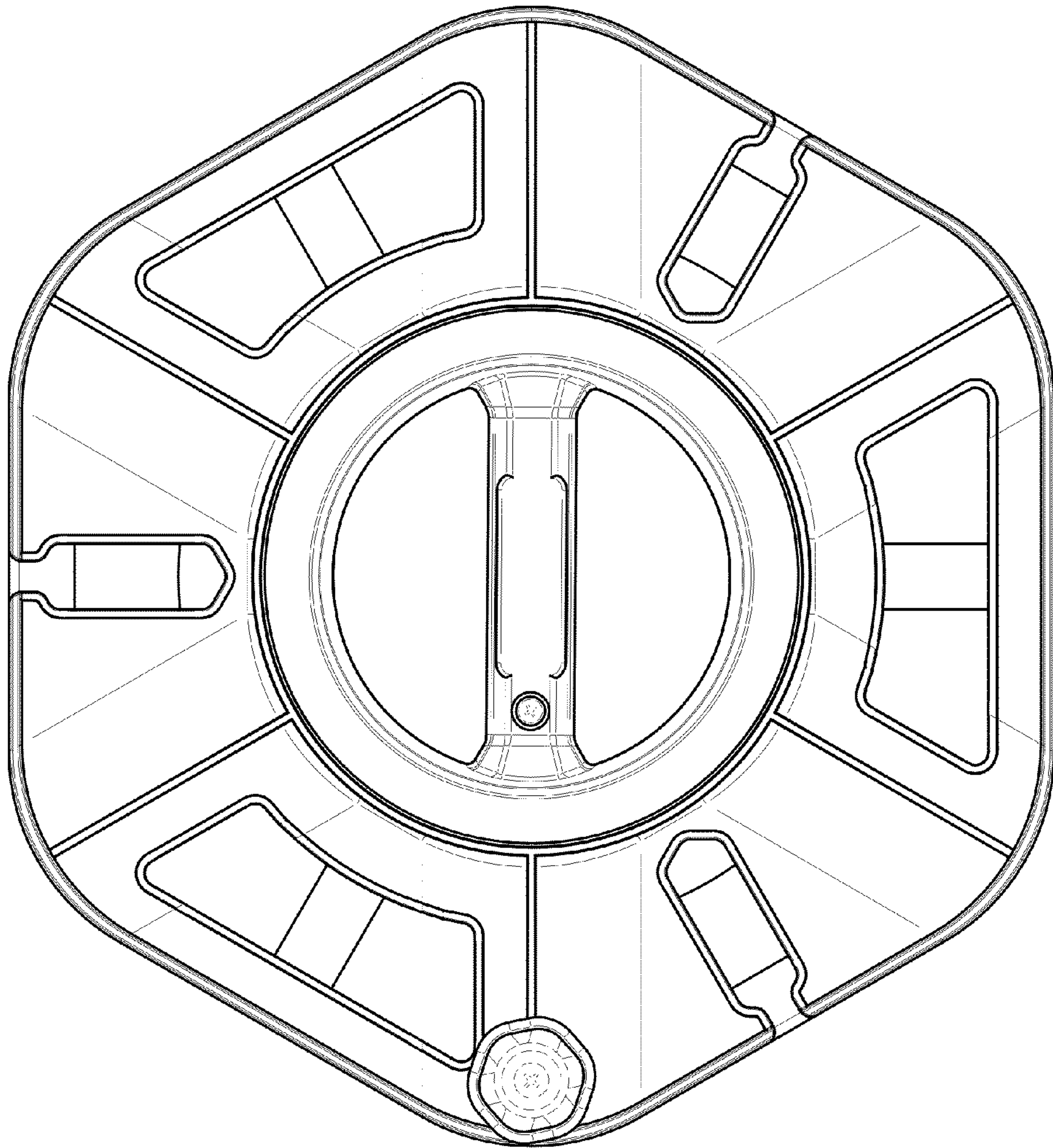


FIG. 3

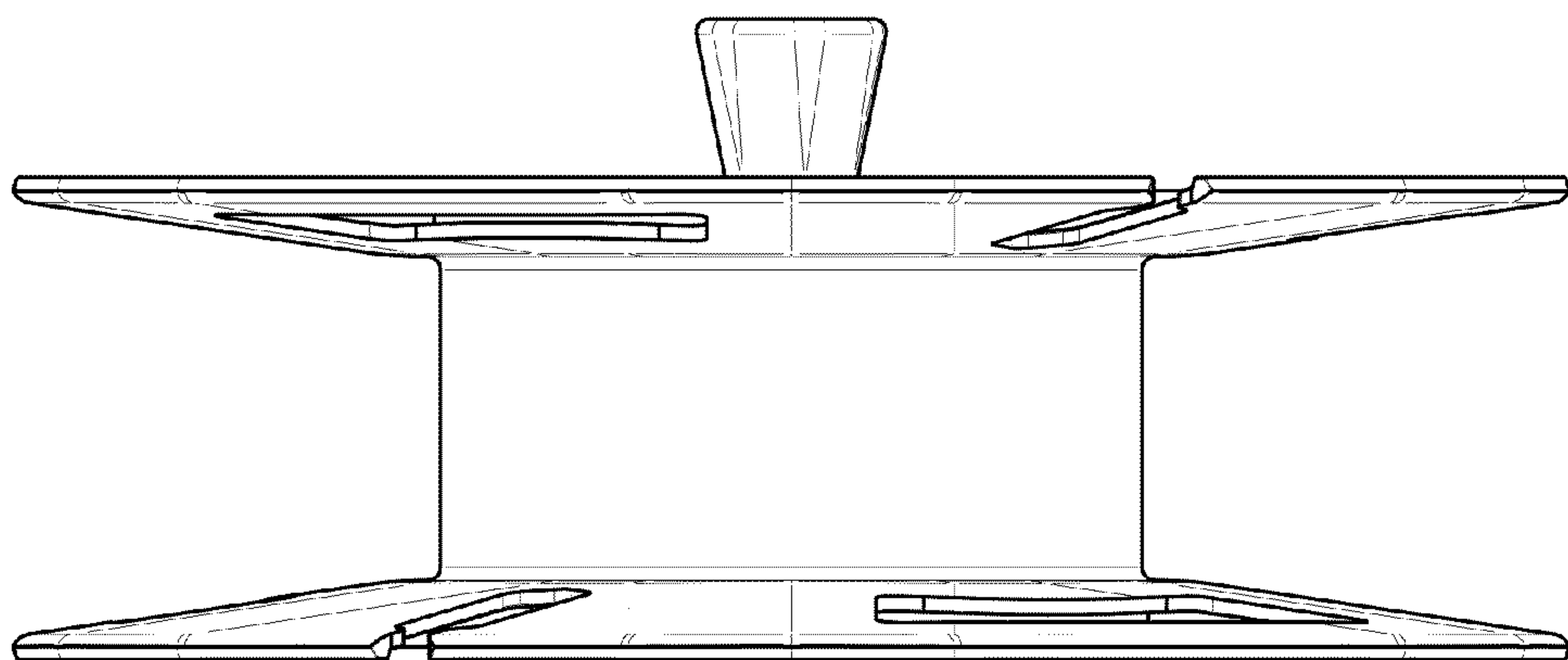


FIG. 2

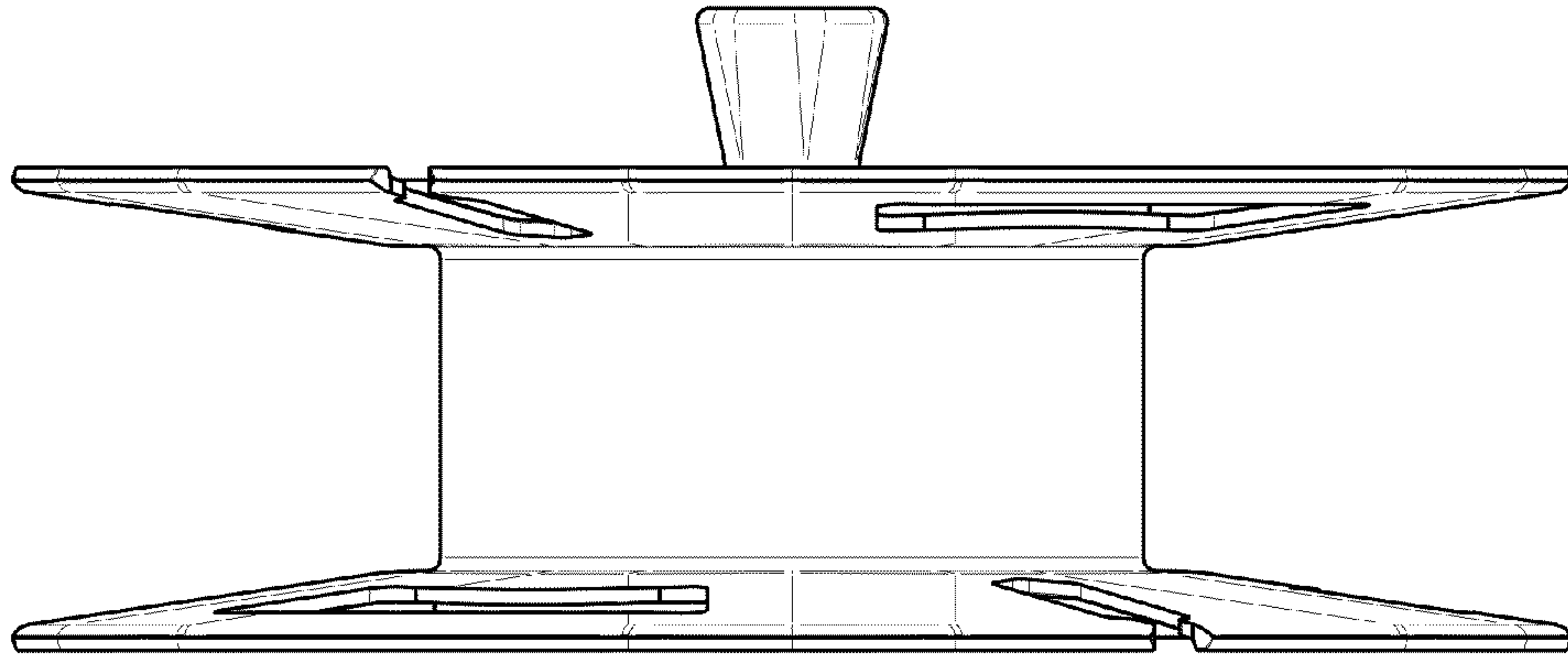


FIG. 5

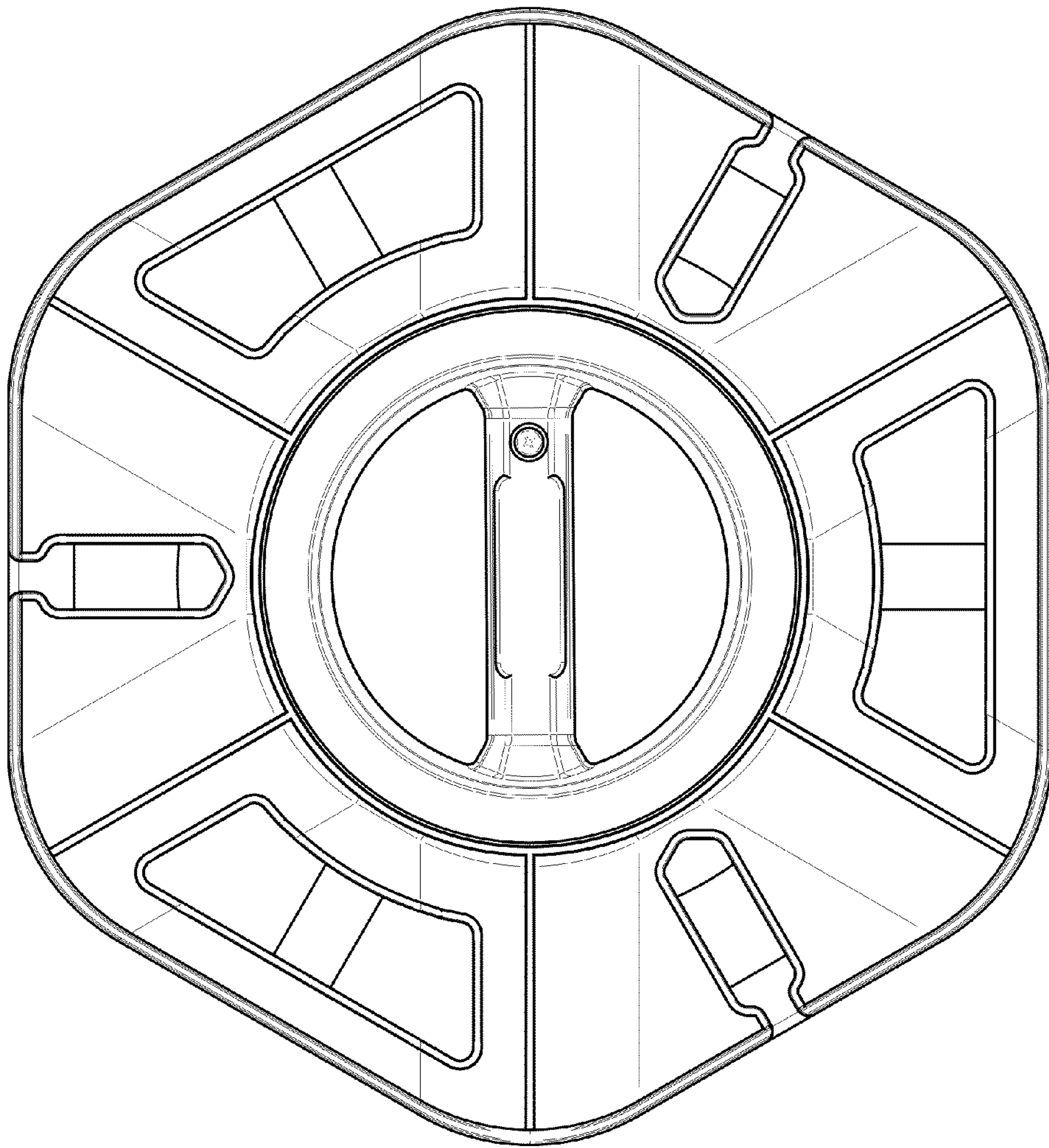


FIG. 4

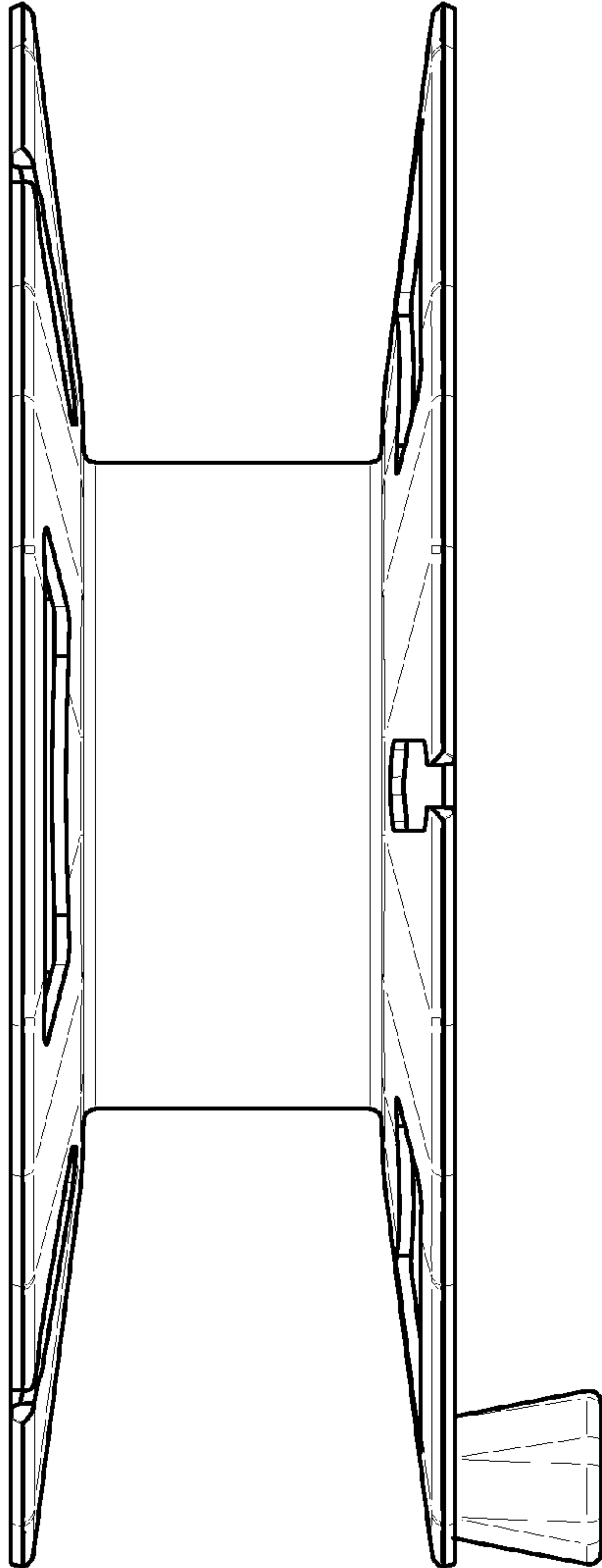


FIG. 6

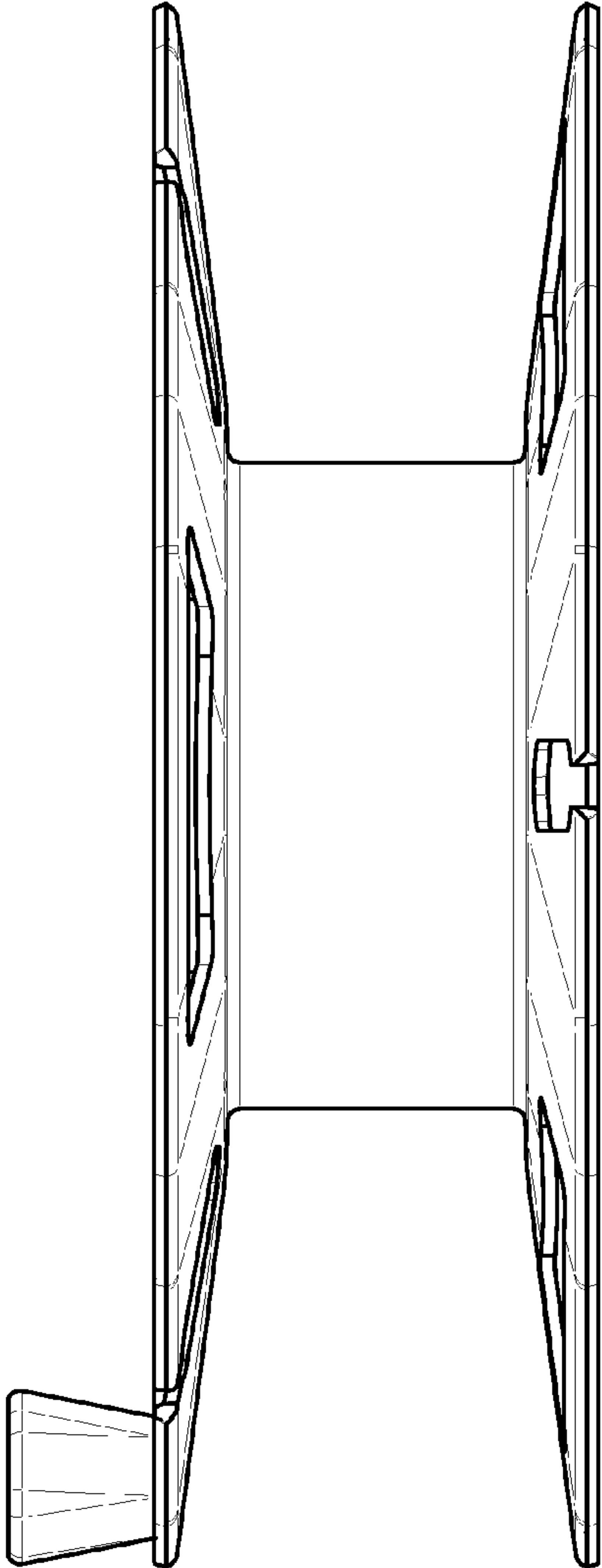


FIG. 7