



US00D714614S

(12) **United States Design Patent**
Sarnowski et al.

(10) **Patent No.:** **US D714,614 S**
(45) **Date of Patent:** **** Oct. 7, 2014**

- (54) **HINGE**
- (71) Applicant: **GEM Products, Inc.**, Orange Park, FL (US)
- (72) Inventors: **Jason Sarnowski**, Jacksonville, FL (US); **E. Matthew Bridgewater**, St. Johns, FL (US)
- (73) Assignee: **GEM Products, Inc.**, Orange Park, FL (US)
- (**) Term: **14 Years**
- (21) Appl. No.: **29/450,724**
- (22) Filed: **Mar. 21, 2013**
- (51) **LOC (10) Cl.** **08-06**
- (52) **U.S. Cl.**
USPC **D8/323; D8/328**
- (58) **Field of Classification Search**
USPC D8/323, 327, 328; D23/303; 4/236, 4/240; 16/225, 250, 682, 309, 235, 275, 16/244, 379, 390, 430, 241, 238, 245, 236, 16/243, 242, 385, 331, 274
See application file for complete search history.

D380,037	S	*	6/1997	Grantham	D23/262
D396,730	S	*	8/1998	Schaupp	D23/259
D476,873	S	*	7/2003	Carroll	D8/70
D512,897	S	*	12/2005	Franchini	D8/323
D524,149	S	*	7/2006	Kim	D8/397
D585,916	S	*	2/2009	Greenleaf	D15/128
D601,567	S	*	10/2009	Lau	D14/432
D620,084	S	*	7/2010	Talamantez	D23/262
D629,025	S	*	12/2010	Greenleaf	D15/128
D633,774	S	*	3/2011	Spragg	D8/323
7,934,927	B2	*	5/2011	Yazdi	433/18
8,701,247	B1	*	4/2014	Shargh	16/274
2005/0072728	A1	*	4/2005	Chang	210/446

* cited by examiner

Primary Examiner — Cynthia Underwood
(74) *Attorney, Agent, or Firm* — Seyfarth Shaw LLP

(57) **CLAIM**
The ornamental design for a hinge, as shown and described.

DESCRIPTION

FIG. 1 is a front perspective view of an embodiment of our hinge;
 FIG. 2 is a top plan view thereof;
 FIG. 3 is a front elevation view thereof;
 FIG. 4 is a right-side elevation view thereof;
 FIG. 5 is a rear elevation view thereof;
 FIG. 6 is a left-side elevation view thereof;
 FIG. 7 is a bottom plan view thereof; and,
 FIG. 8 is a cross-section view thereof taken from line 8-8 in FIG. 2.

The broken lines depict environmental subject matter only and form no part of our claimed design.
 The dot-chain lines illustrate a border of the claimed subject matter and form no part of our claimed design.

1 Claim, 4 Drawing Sheets

- (56) **References Cited**
U.S. PATENT DOCUMENTS
- | | | | | | | |
|-----------|---|---|---------|------------|-------|---------|
| D2,283 | S | * | 3/1866 | Richardson | | D8/323 |
| 1,433,095 | A | * | 10/1922 | Peary | | 16/274 |
| 1,898,936 | A | * | 2/1933 | Brawley | | 16/274 |
| 1,970,059 | A | * | 8/1934 | Schotter | | 285/332 |
| 3,899,905 | A | * | 8/1975 | Walters | | 70/91 |
| D311,677 | S | * | 10/1990 | Headrick | | D8/323 |
| D328,280 | S | * | 7/1992 | Lee | | D13/133 |
| 5,284,369 | A | * | 2/1994 | Kitamura | | 285/322 |

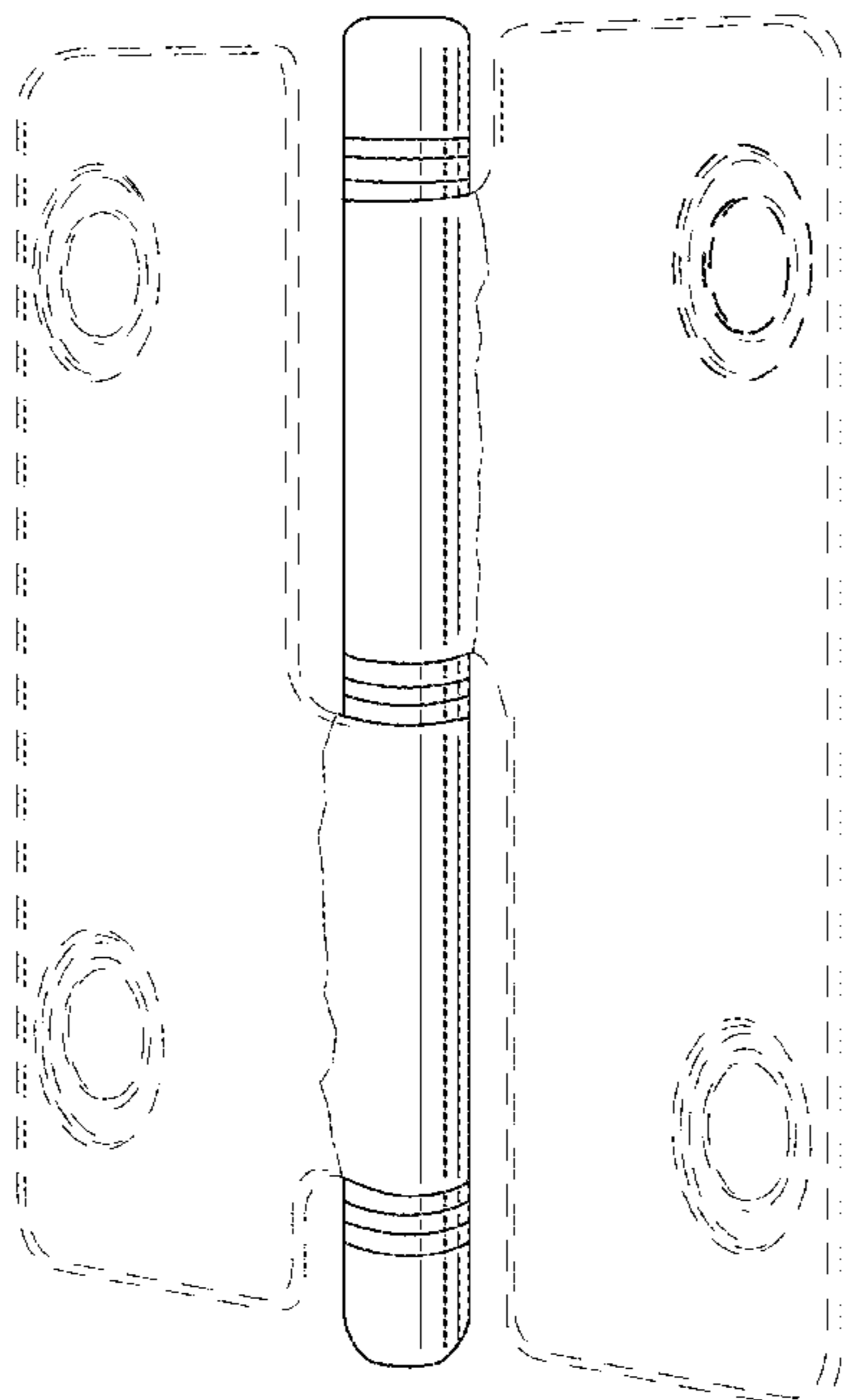


Fig. 1

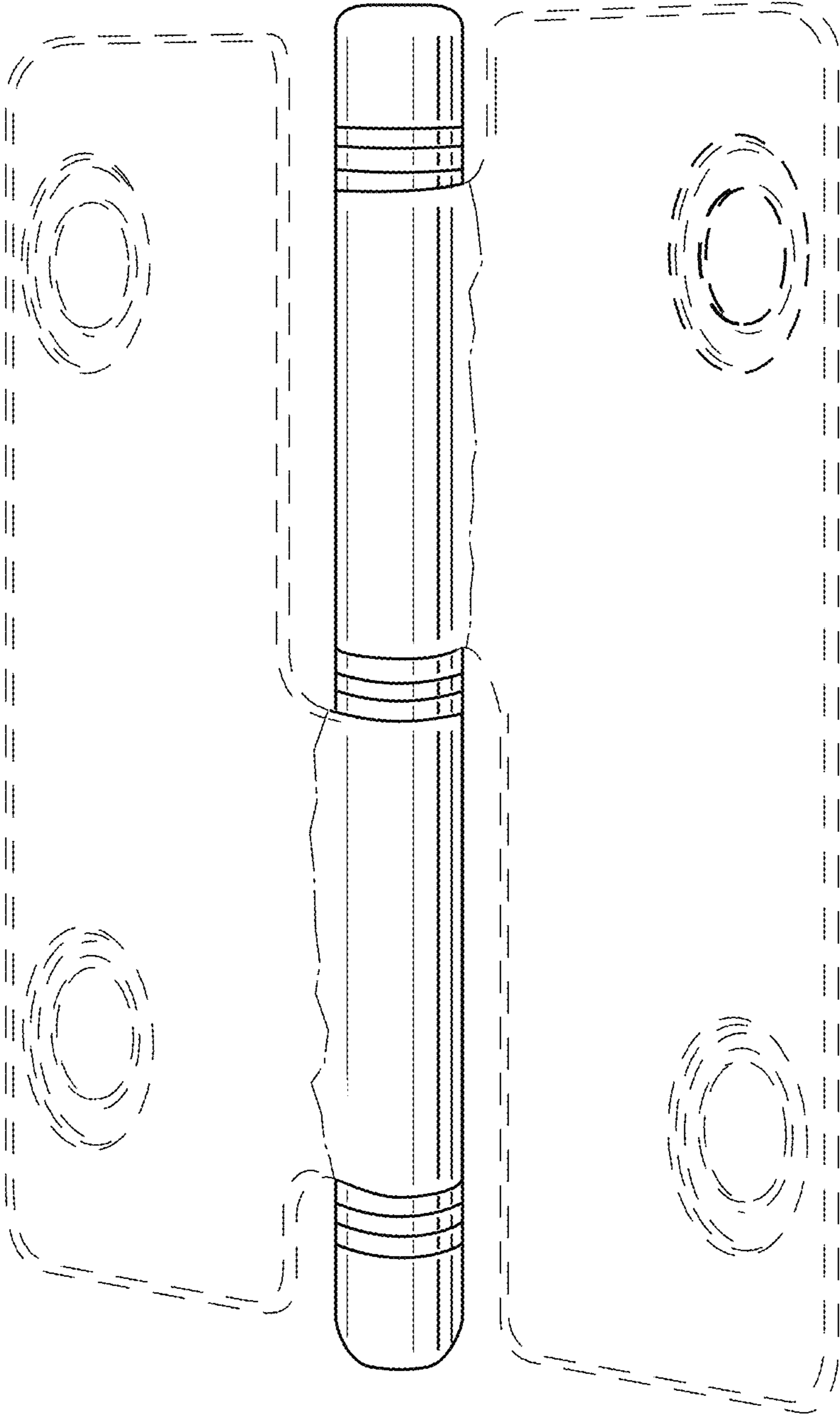


Fig. 2

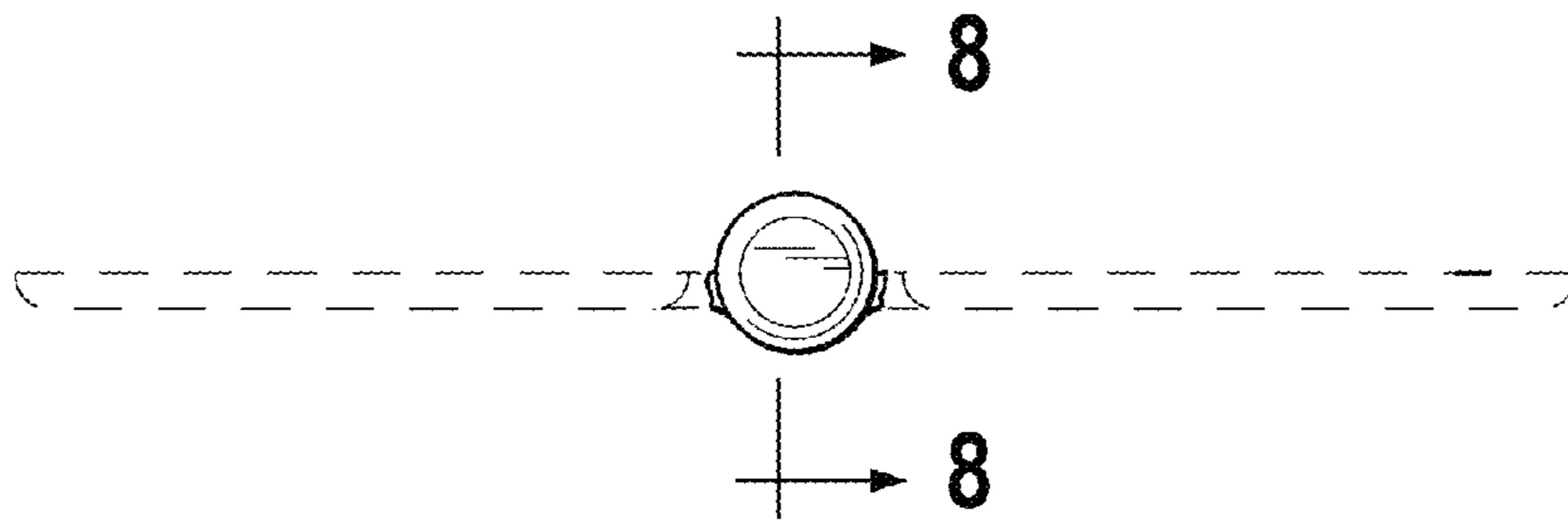


Fig. 3

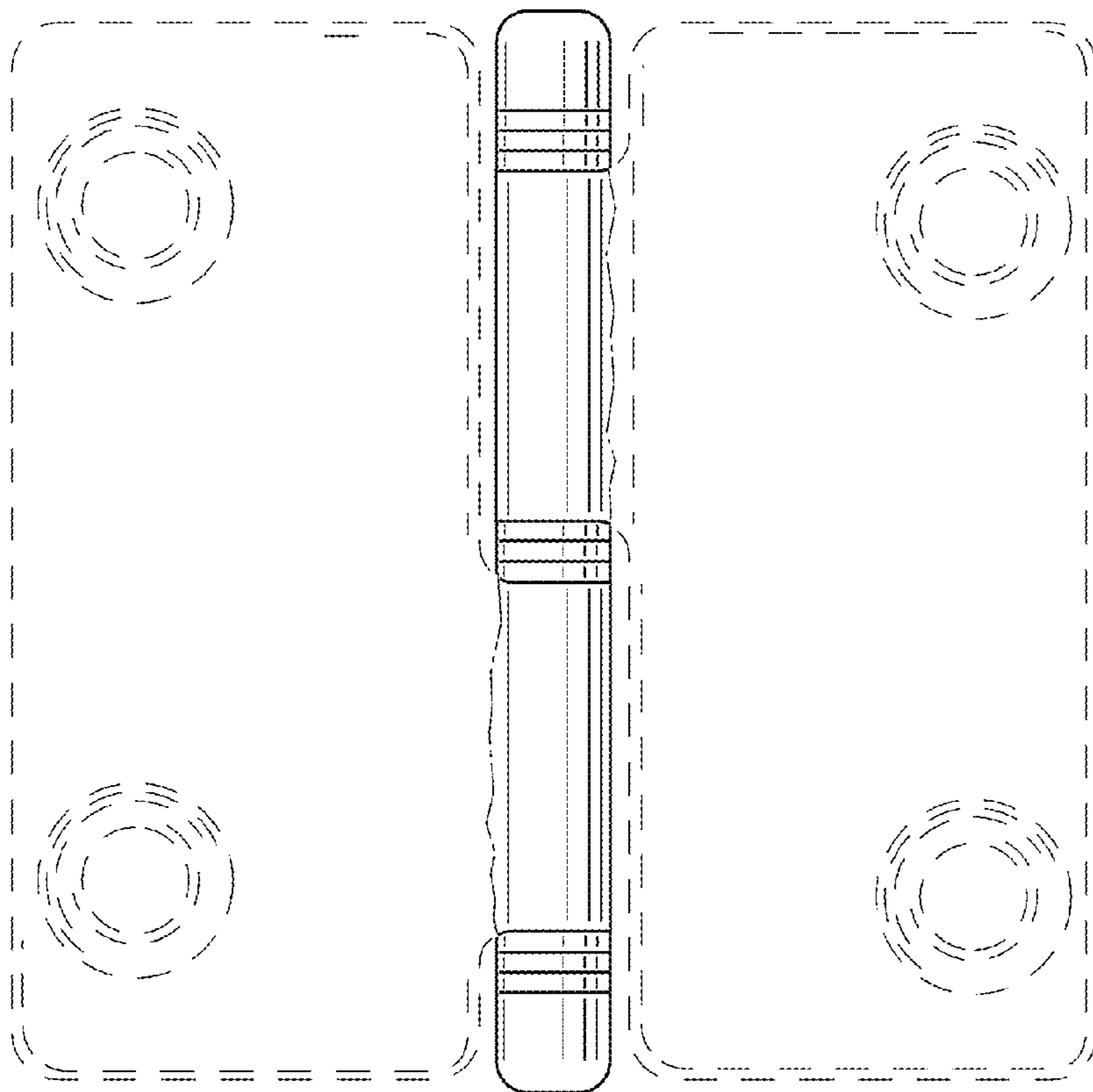


Fig. 4

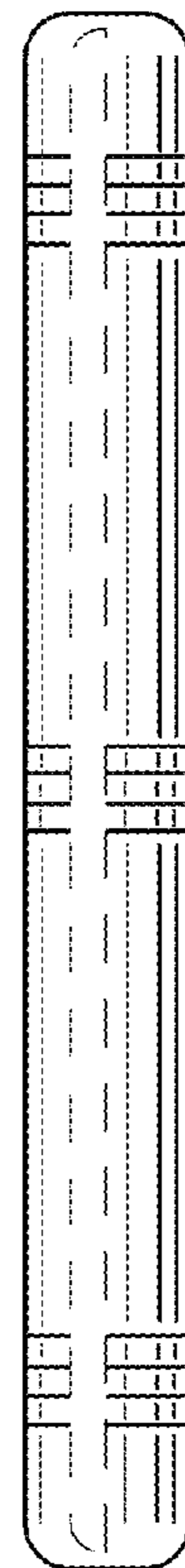


Fig. 5

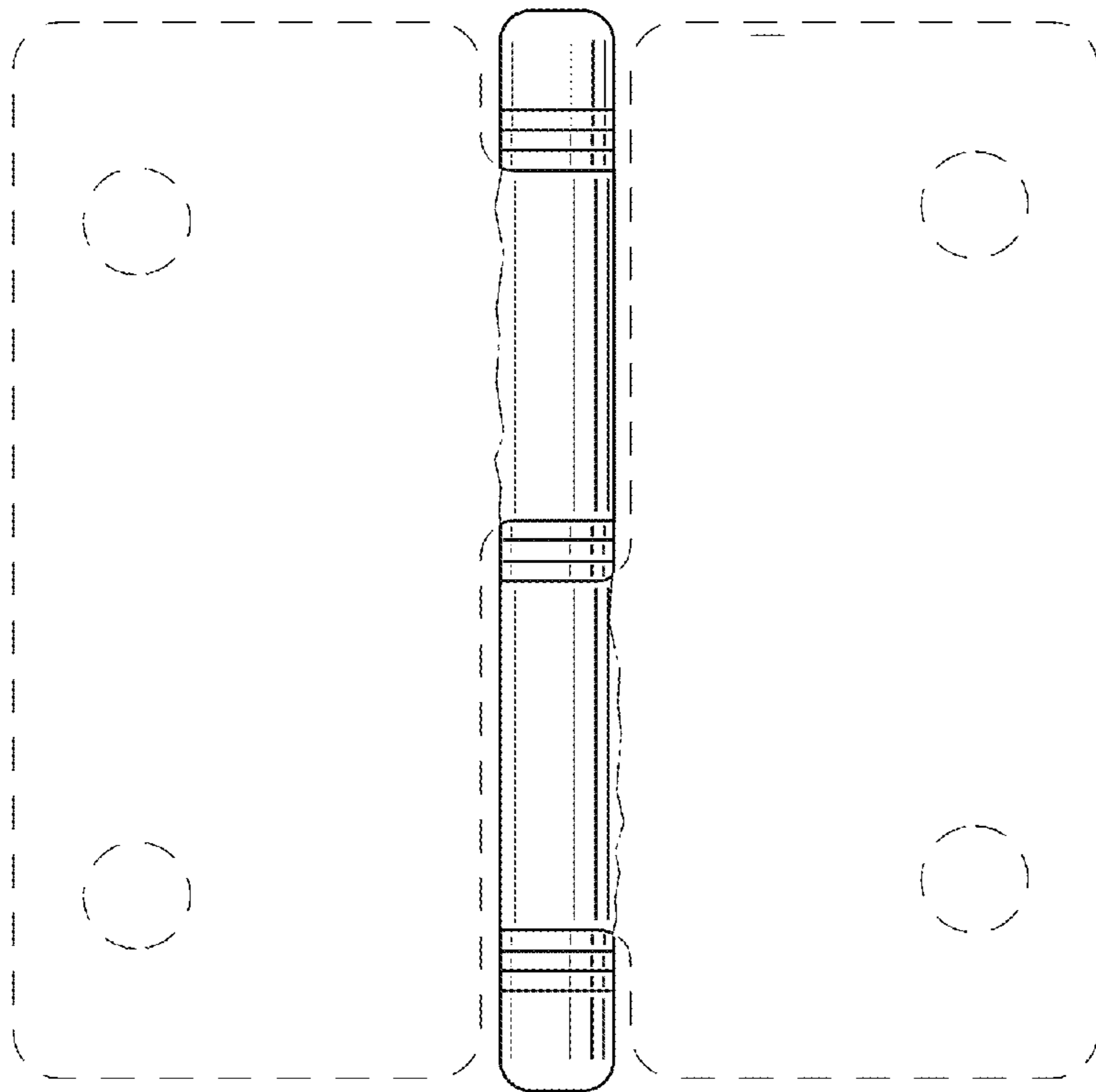


Fig. 6

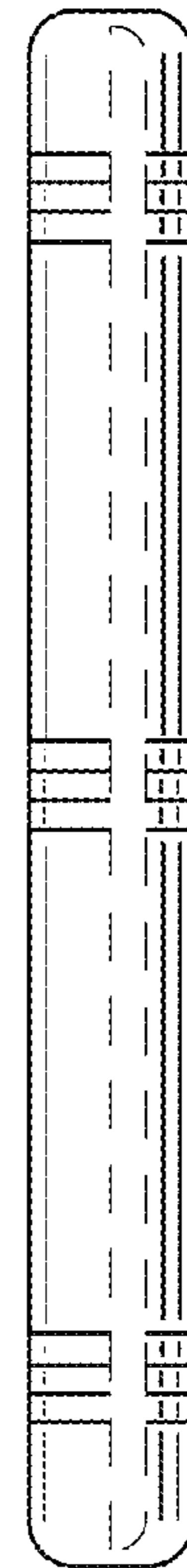


Fig. 7



Fig. 8

