



US00D714613S

(12) **United States Design Patent**
Jenkins

(10) **Patent No.:** **US D714,613 S**

(45) **Date of Patent:** **** Oct. 7, 2014**

- (54) **MASTER HANDLE WITH HANGER**
- (71) Applicant: **Melvin Duane Jenkins**, Pembroke Pines, FL (US)
- (72) Inventor: **Melvin Duane Jenkins**, Pembroke Pines, FL (US)
- (**) Term: **14 Years**
- (21) Appl. No.: **29/467,511**
- (22) Filed: **Sep. 19, 2013**
- (51) **LOC (10) Cl.** **08-06**
- (52) **U.S. Cl.**
USPC **D8/107**
- (58) **Field of Classification Search**
CPC B25G 1/04
USPC D8/107, 1, 14, 105; D3/7; D22/134, D22/144; D32/21, 24, 25, 31, 50, 51, 52; 15/144.3; 16/406, 422; 81/177.2; 294/174; 403/306

See application file for complete search history.

4,547,989	A *	10/1985	Karlsson	43/5
4,607,974	A *	8/1986	Brothers et al.	403/24
4,642,837	A *	2/1987	Nichols et al.	15/171
4,659,125	A *	4/1987	Chuan	294/19.2
D291,862	S *	9/1987	Kolonia	D8/107
4,793,646	A *	12/1988	Michaud, Jr.	294/210
5,220,707	A *	6/1993	Newman et al.	16/429
D354,554	S *	1/1995	Newman et al.	D23/266
5,501,542	A *	3/1996	Hall, Sr.	403/306
5,593,196	A *	1/1997	Baum et al.	294/174
5,799,996	A *	9/1998	Fredrickson	294/51
5,836,620	A *	11/1998	Wang et al.	285/7
5,983,455	A *	11/1999	Polzin et al.	16/429
6,293,601	B1 *	9/2001	Johnson	294/26
6,450,577	B1 *	9/2002	Roslund, Jr.	297/301.7
D466,389	S *	12/2002	Clivio	D8/107
D497,086	S *	10/2004	Lopes	D8/14
D519,820	S *	5/2006	Newman et al.	D8/107
7,309,088	B2 *	12/2007	Fiore et al.	294/24
2011/0101716	A1 *	5/2011	Nolte et al.	294/19.1
2013/0175794	A1 *	7/2013	Cordes et al.	285/7

* cited by examiner

Primary Examiner — Paula Greene

(57) **CLAIM**
The ornamental design for a master handle with hanger, as shown and described.

(56) **References Cited**

U.S. PATENT DOCUMENTS

1,229,843	A *	6/1917	Whitaker	279/91
1,311,145	A *	7/1919	Zeindler et al.	285/27
1,339,257	A *	5/1920	Callahan	135/66
2,212,679	A *	8/1940	White	285/7
2,606,050	A *	8/1952	Morris et al.	403/328
2,727,762	A *	12/1955	Ziegler, Jr.	285/7
2,834,625	A *	5/1958	Stanley et al.	403/343
2,869,883	A *	1/1959	Dunbar	279/56
2,941,822	A *	6/1960	Moecker	285/7
3,004,362	A *	10/1961	Day	43/6
3,380,097	A *	4/1968	Pharris	15/145
3,407,424	A *	10/1968	Lanzarone et al.	15/145
3,515,418	A *	6/1970	Nielsen, Jr.	403/109.5
3,682,516	A *	8/1972	Savage	403/189
3,820,801	A *	6/1974	Lindler	279/48
4,466,152	A *	8/1984	Moss et al.	15/229.2

DESCRIPTION

FIG. 1 is a perspective front view of the master handle with hanger;
FIG. 2 is a front view of the master handle with hanger;
FIG. 3 is a rear view of the master handle with hanger;
FIG. 4 is a left side view of the master handle with hanger;
FIG. 5 is a right side view of the master handle with hanger;
FIG. 6 is a top plan view of the master handle with hanger;
and,
FIG. 7 is a bottom plan view of the master handle with hanger.
The tools are shown in broken lines for illustrative purposes only and form no part of the claimed design.

1 Claim, 3 Drawing Sheets

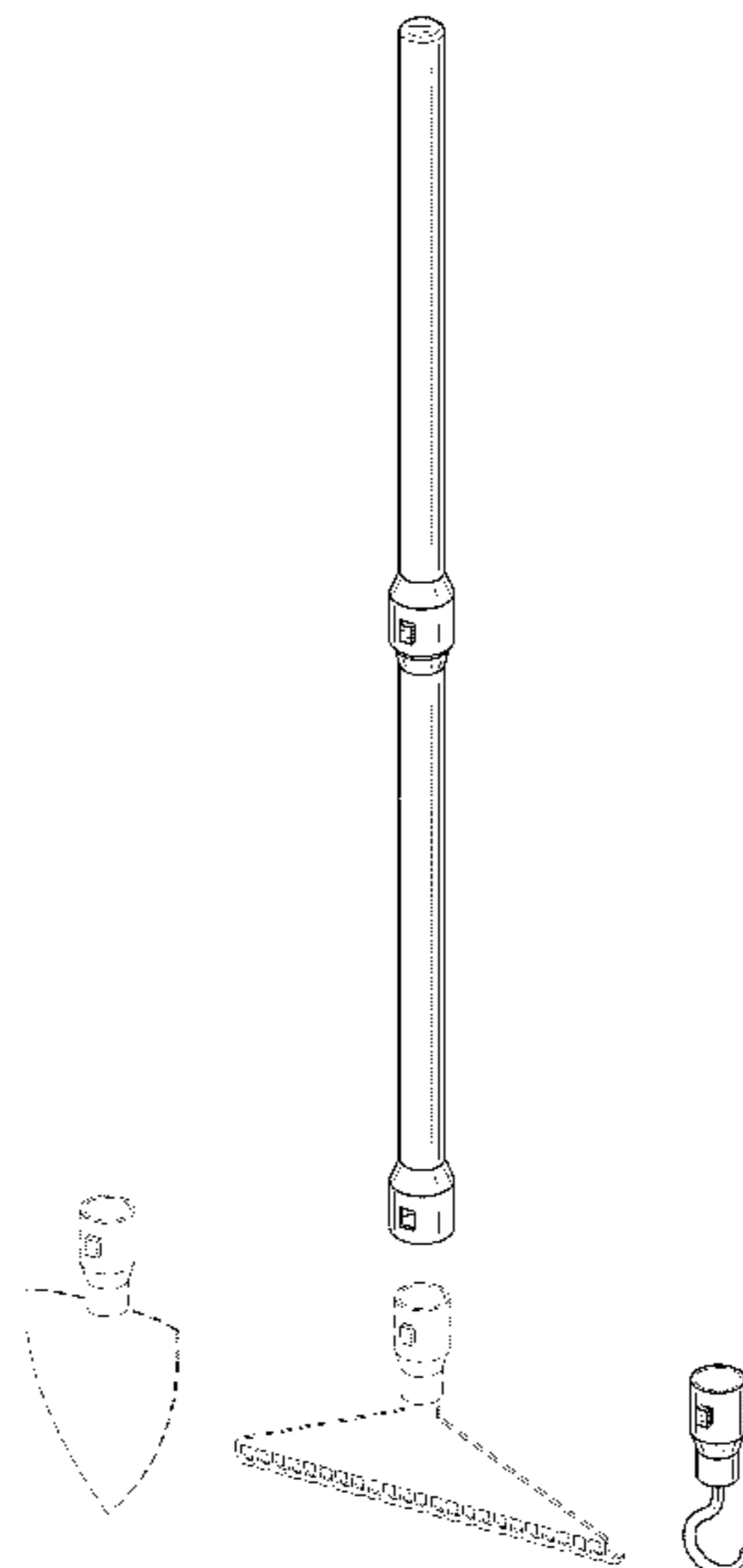
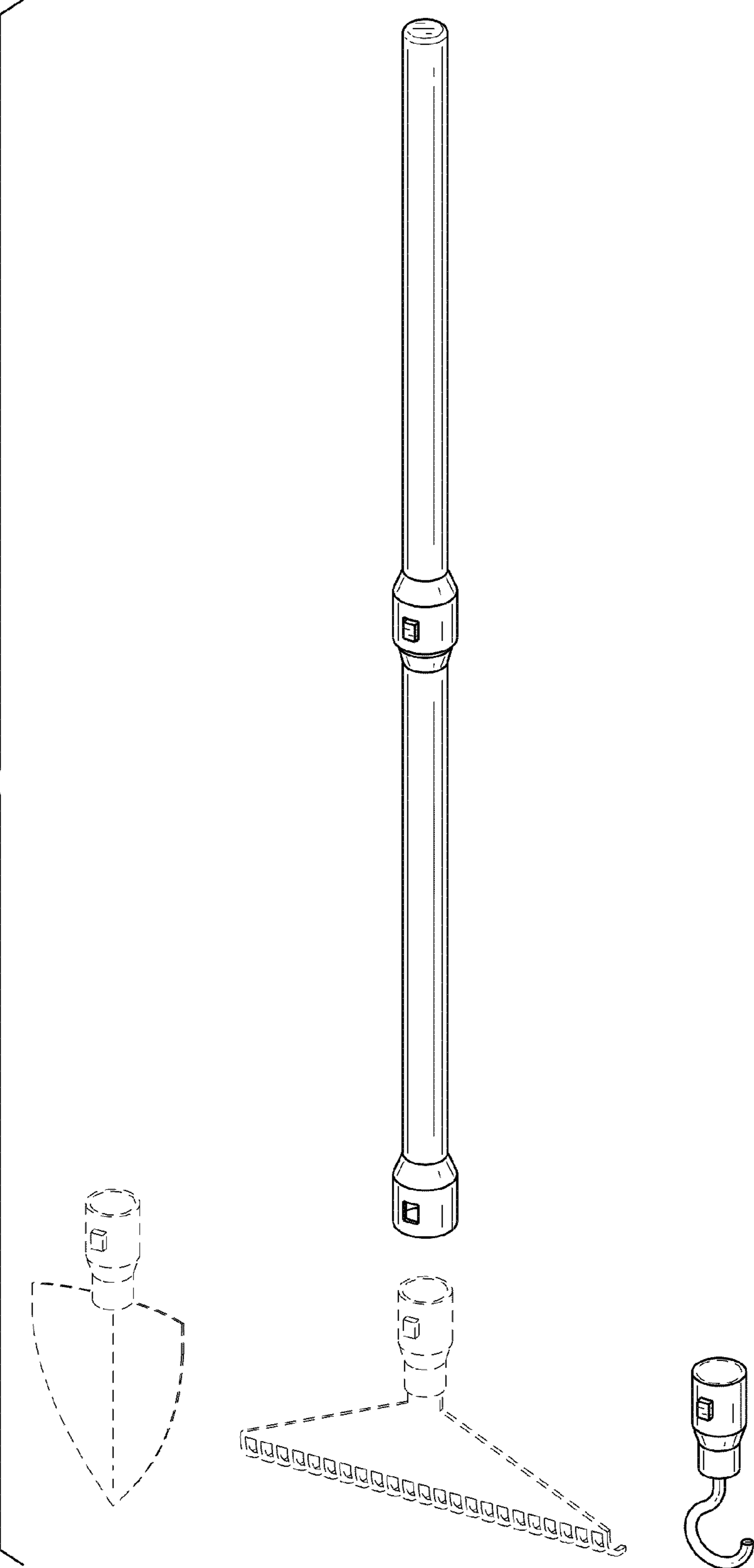


FIG. 1



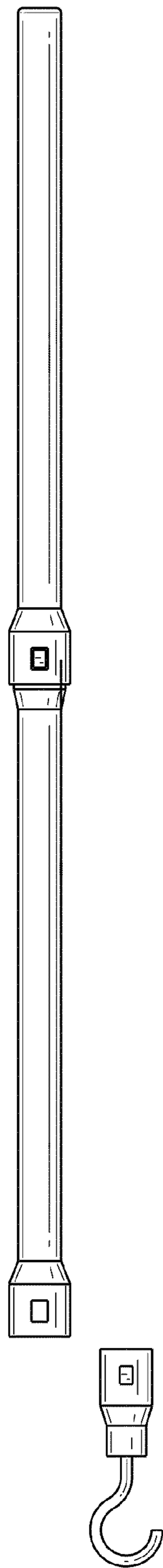


FIG. 2

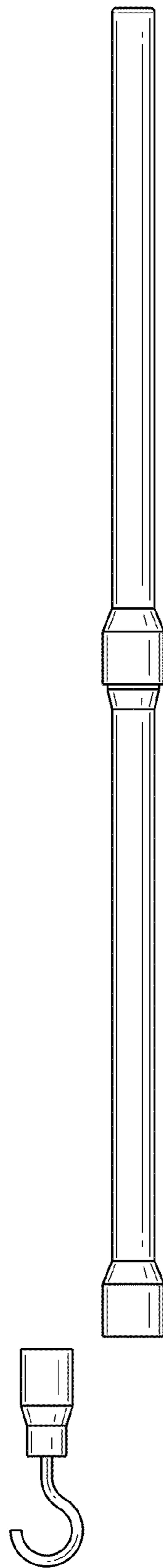


FIG. 3

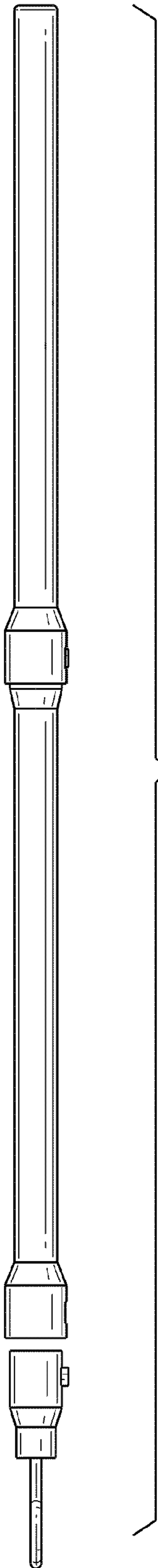


FIG. 4

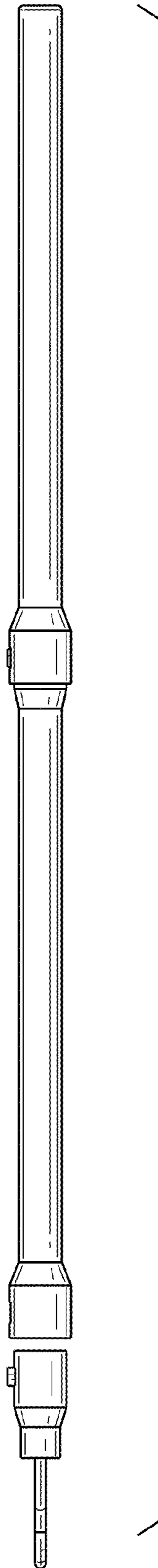


FIG. 5

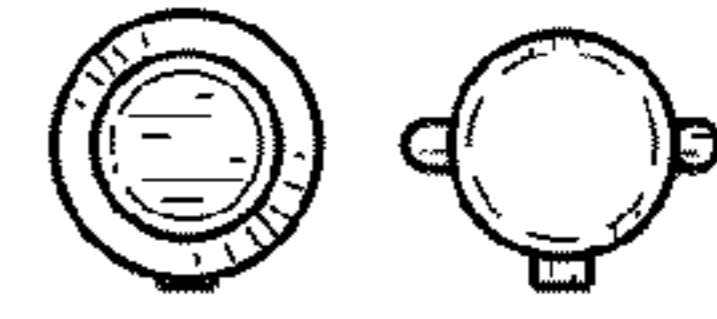


FIG. 6

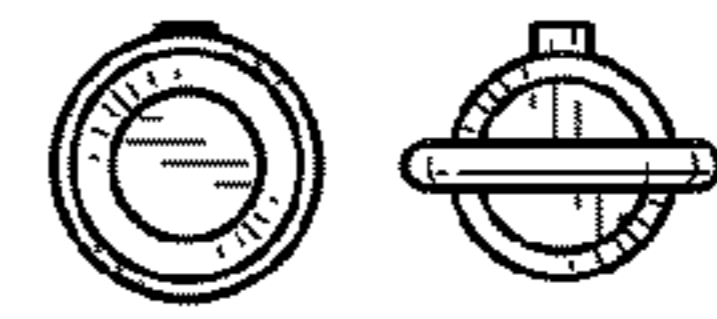


FIG. 7