



US00D714612S

(12) **United States Design Patent**
Gropl et al.

(10) **Patent No.:** **US D714,612 S**
(45) **Date of Patent:** **** Oct. 7, 2014**

(54) **SAFETY CUTTER**

(71) Applicant: **Pacific Handy Cutter, Inc.**, Irvine, CA (US)

(72) Inventors: **Markus Gropl**, Huntington Beach, CA (US); **Brandon L. Spoelstra**, Costa Mesa, CA (US); **Joseph P. Garavaglia**, Newport Beach, CA (US); **Mark Marinovich**, Rancho Santa Fe, CA (US)

(73) Assignee: **Pacific Handy Cutter, Inc.**, Irvine, CA (US)

(**) Term: **14 Years**

(21) Appl. No.: **29/450,272**

(22) Filed: **Mar. 15, 2013**

(51) **LOC (10) Cl.** **08-03**

(52) **U.S. Cl.**
USPC **D8/98**

(58) **Field of Classification Search**
CPC B26B 3/00; B26B 3/08; B26B 1/08;
B26B 5/00; B26B 5/001; B26B 5/003; B26B
5/006
USPC D8/98, 99; 30/162, 286, 287, 320, 315,
30/335
See application file for complete search history.

(56) **References Cited**

U.S. PATENT DOCUMENTS

D229,391 S * 11/1973 Nelms D8/98

4,134,206 A *	1/1979	Beermann	30/294
D320,150 S *	9/1991	Huang	D8/98
D323,967 S *	2/1992	Talbot	D8/98
5,737,842 A *	4/1998	Freedman	30/280
D401,492 S *	11/1998	Joseph, Jr.	D8/98
6,513,249 B2 *	2/2003	Linton et al.	30/286
6,691,416 B2 *	2/2004	Yu Chen	30/294
D573,436 S *	7/2008	Wu	D8/99
D575,613 S *	8/2008	Jennings	D8/98
D673,440 S *	1/2013	Kempker et al.	D8/98

* cited by examiner

Primary Examiner — Phillip S Hyder

(74) *Attorney, Agent, or Firm* — Henricks, Slavin & Holmes LLP

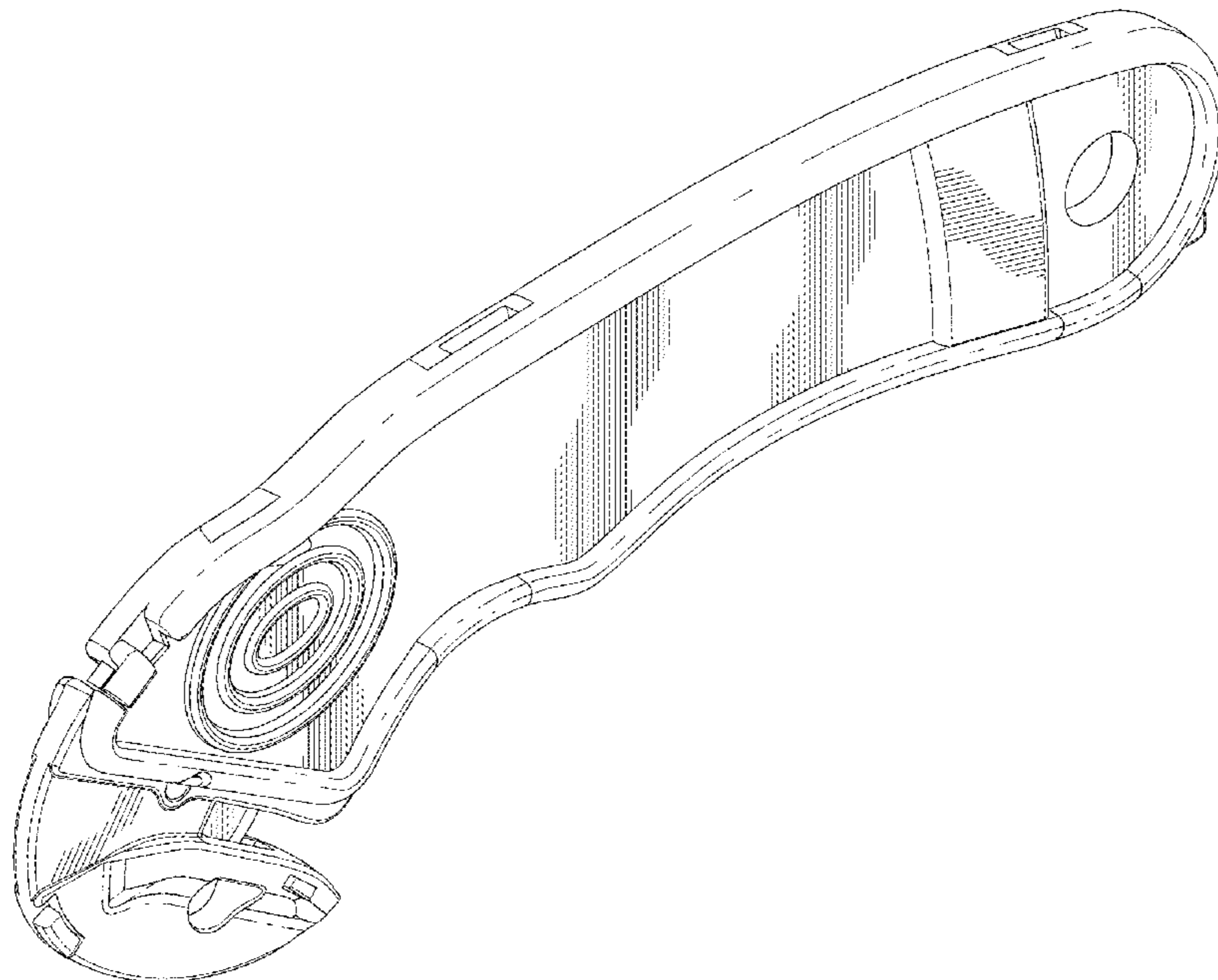
(57) **CLAIM**

The ornamental design for a safety cutter, as shown and described.

DESCRIPTION

FIG. 1 is a perspective view of a safety cutter showing our new design;
FIG. 2 is a left side rear perspective view thereof;
FIG. 3 is a right side rear perspective view thereof;
FIG. 4 is a left side view thereof;
FIG. 5 is a top view thereof;
FIG. 6 is a bottom view thereof;
FIG. 7 is a right side view thereof;
FIG. 8 is a front view thereof; and,
FIG. 9 is a rear view thereof.

1 Claim, 7 Drawing Sheets



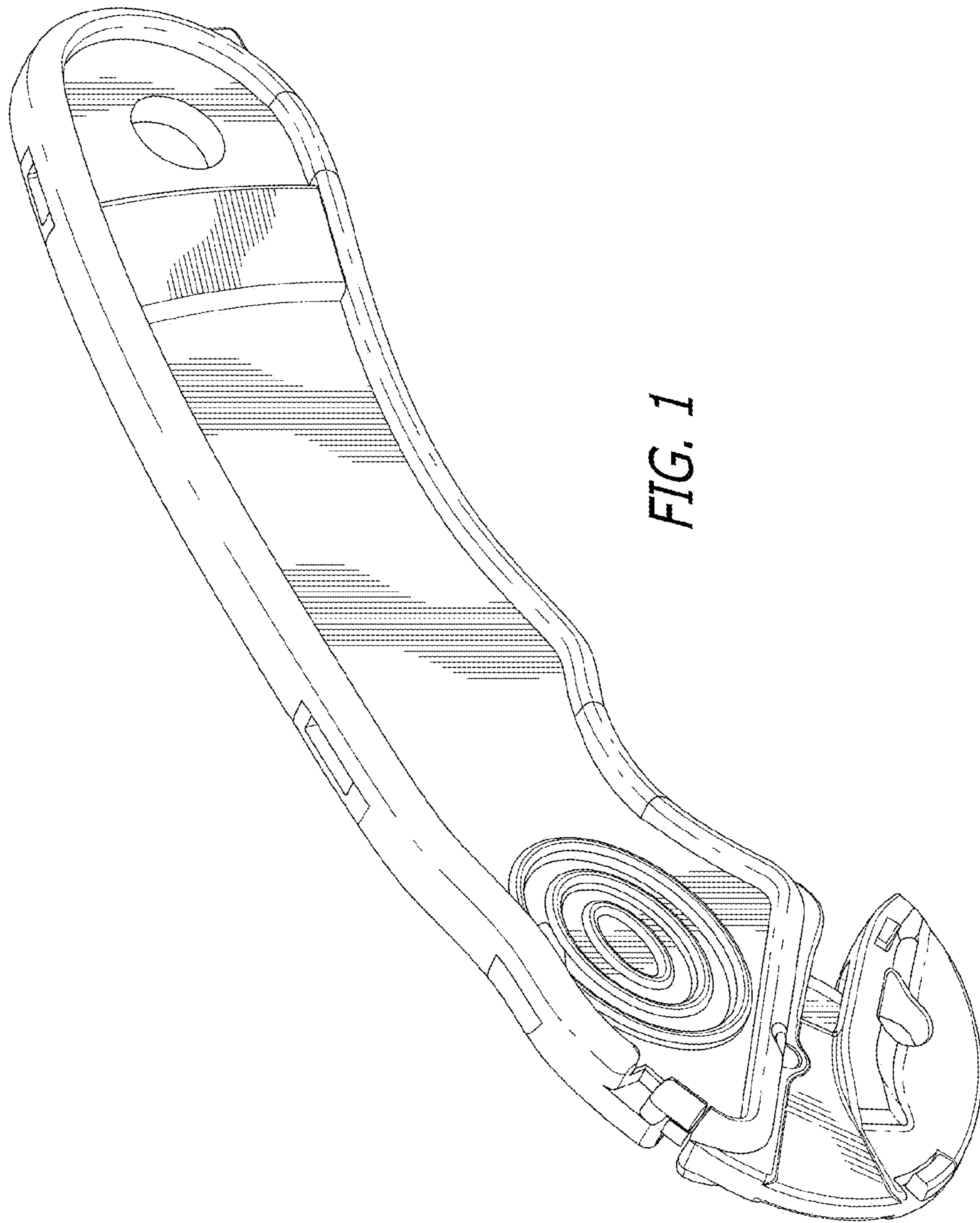


FIG. 1

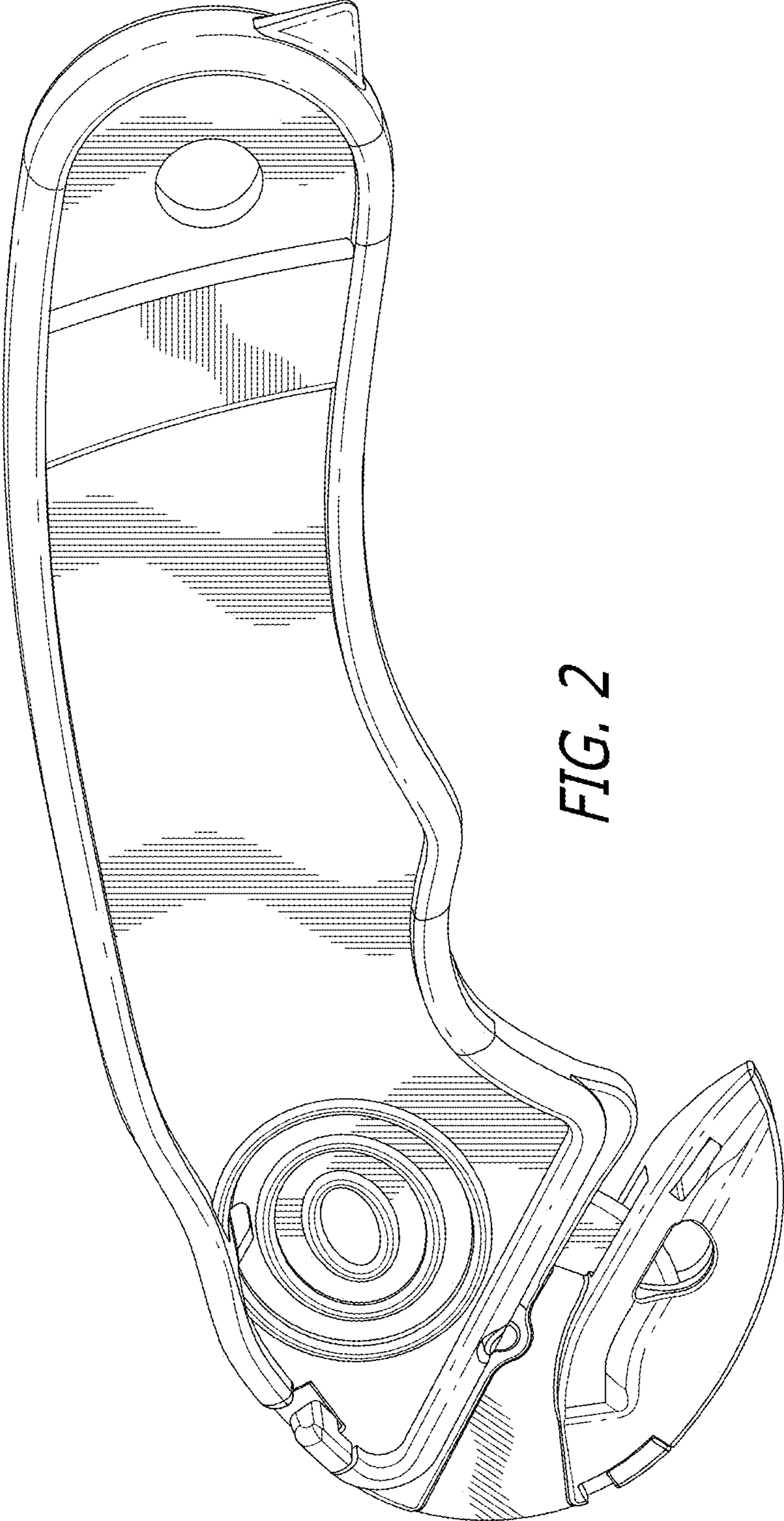


FIG. 2

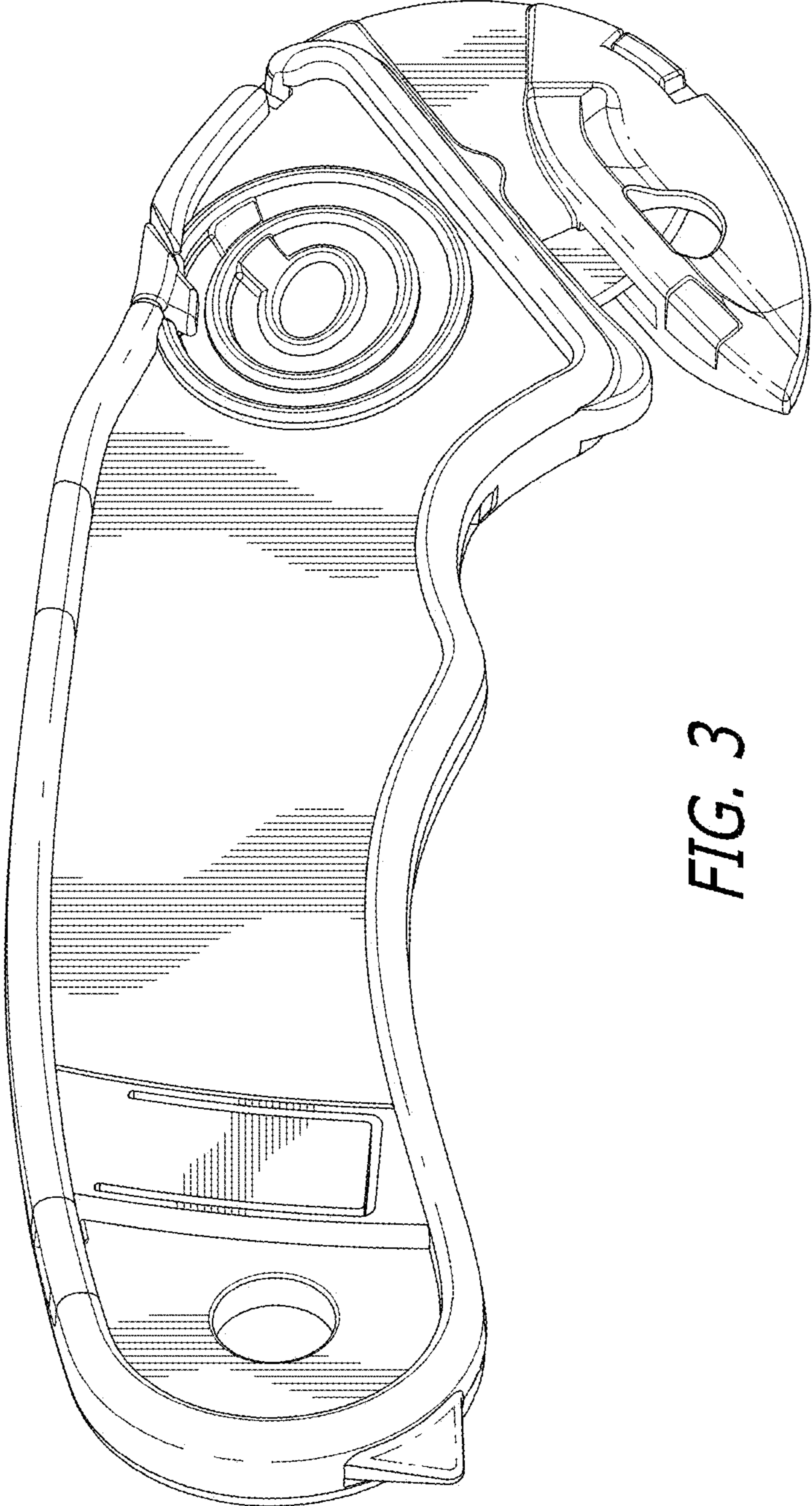


FIG. 3

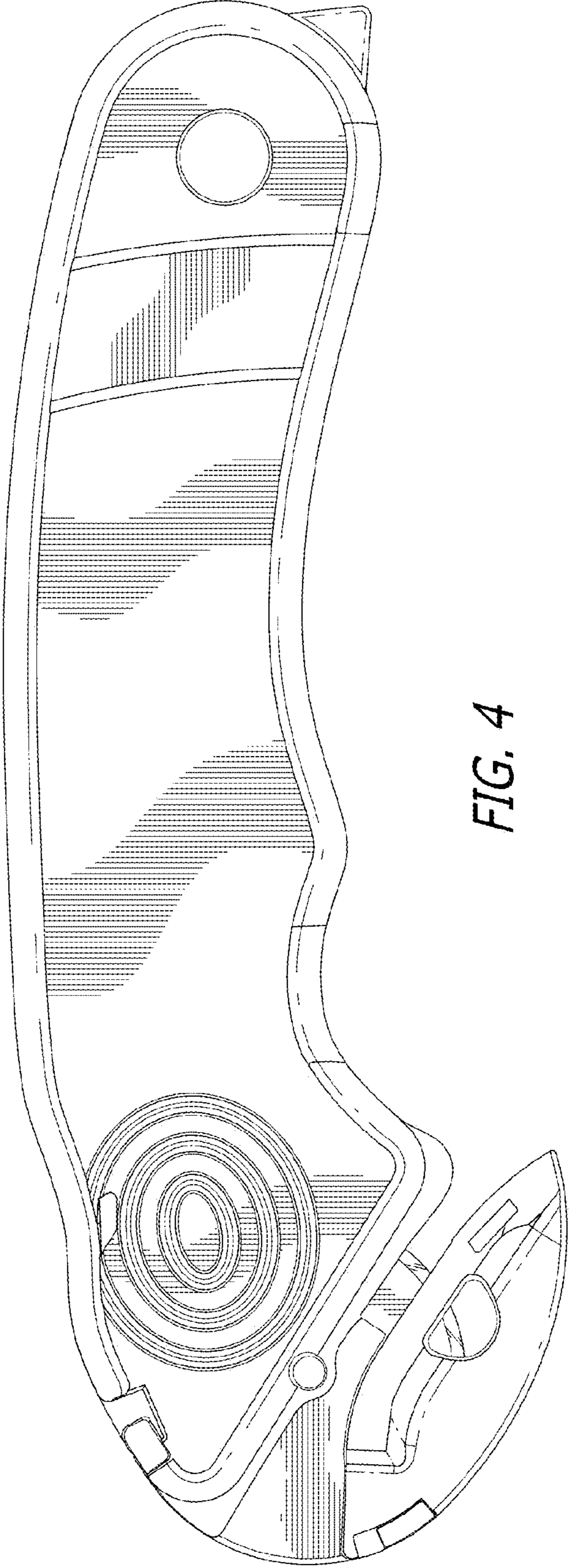


FIG. 4

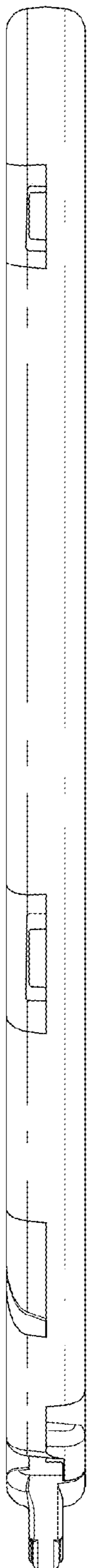


FIG. 5

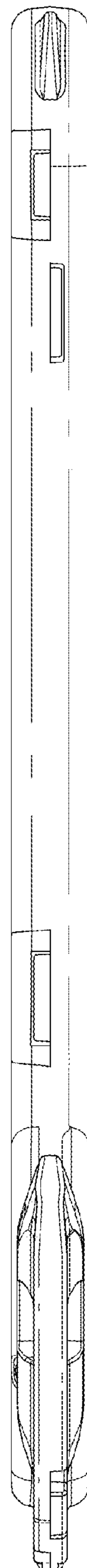


FIG. 6

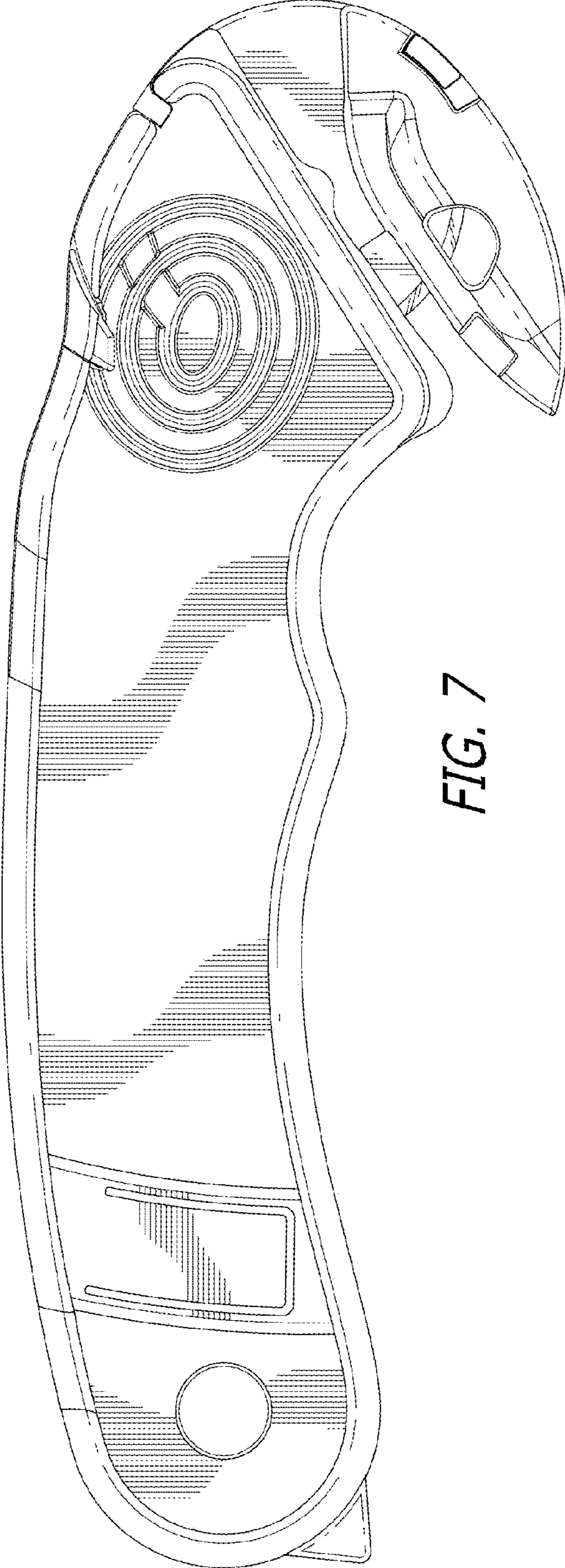


FIG. 7

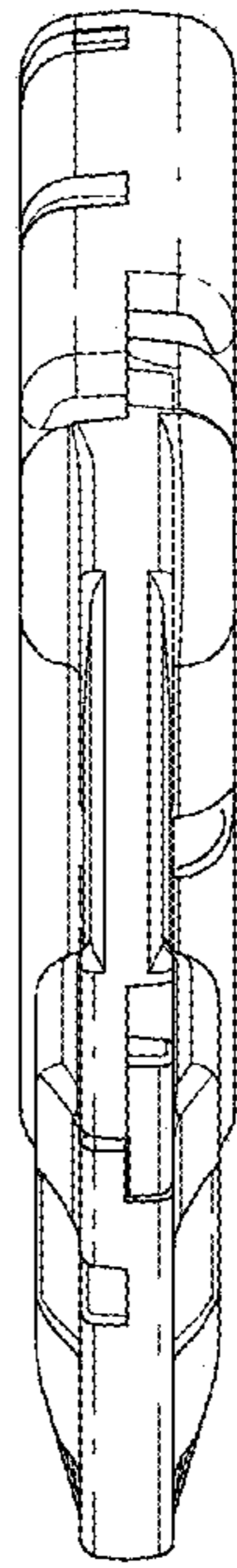


FIG. 8

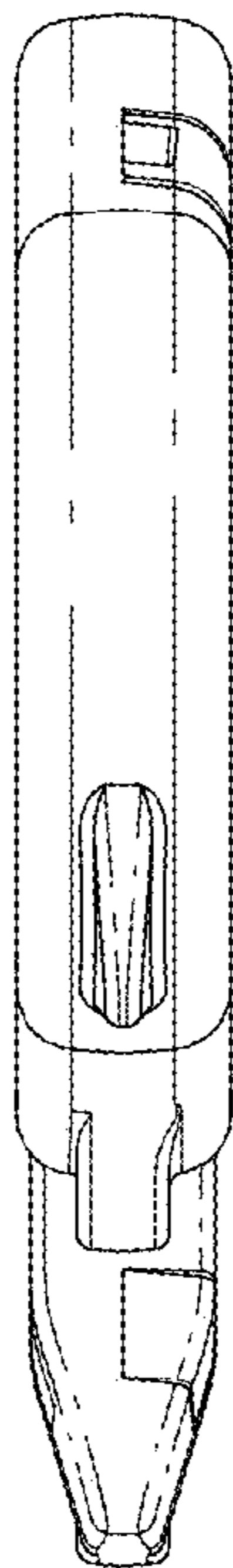


FIG. 9