



US00D714610S

(12) **United States Design Patent**  
**Trussell**

(10) **Patent No.:** **US D714,610 S**

(45) **Date of Patent:** **\*\* Oct. 7, 2014**

(54) **PORTABLE WELDING CLAMP ATTACHMENT DEVICE**

(71) Applicant: **Christopher Bryan Trussell**,  
Edgewood, TX (US)

(72) Inventor: **Christopher Bryan Trussell**,  
Edgewood, TX (US)

(\*\*) Term: **14 Years**

(21) Appl. No.: **29/454,333**

(22) Filed: **May 9, 2013**

(51) **LOC (10) CL.** ..... **08-05**

(52) **U.S. CL.**  
USPC ..... **D8/72**

(58) **Field of Classification Search**  
USPC ..... D8/71-74, 394, 59; 248/72, 689, 124.2;  
81/487; 269/3, 4, 6, 143, 165, 240,  
269/243, 246-249, 254 R, 147-149; 29/256,  
29/257, 276; 408/103, 104-109

See application file for complete search history.

(56) **References Cited**

U.S. PATENT DOCUMENTS

D162,910	S *	4/1951	Wallace	.....	D8/72
4,132,397	A *	1/1979	Ward	.....	D8/72
D266,274	S *	9/1982	Arns	.....	D8/71
D284,348	S *	6/1986	Covey	.....	D8/71
5,593,147	A *	1/1997	Read	.....	269/6
D399,111	S *	10/1998	Budesa	.....	D8/71
5,865,269	A *	2/1999	Eskesen	.....	182/182.2
D414,669	S *	10/1999	Howard	.....	D8/71
D439,820	S *	4/2001	Yang	.....	D8/71
D607,706	S *	1/2010	Jastrow	.....	D8/72
D655,593	S *	3/2012	Wagner et al.	.....	D8/71
8,214,989	B1 *	7/2012	Jefferson et al.	.....	269/3
8,528,870	B2 *	9/2013	Liu et al.	.....	248/214

OTHER PUBLICATIONS

Lincoln Electric, Grasshopper Holding Device, <http://www.lincolnelectric.com/en-us/support/welding-projects/Pages/grasshopper-holding-device.aspx> (last visited May 8, 2013), Internet web site, date of first publication unknown.

Welding Web, Grasshopper, <http://weldingweb.com/showthread.php?t=85651>, (last visited May 8, 2013), Internet web site, date of first publication unknown.

Miller Welds, Photograph, <http://www.millerwelds.com/resources/communities/mboard/attachment.php?attachmentid=15427&d=1220455378>, (last visited May 8, 2013), Internet web site, date of first publication unknown.

\* cited by examiner

*Primary Examiner* — David Muller

(74) *Attorney, Agent, or Firm* — Volk & McElroy, LLP; Michael D. Volk, Jr.

(57) **CLAIM**

The ornamental design for a portable welding clamp attachment device, as shown.

**DESCRIPTION**

FIG. 1 is a left perspective view of a portable welding clamp attachment device showing my new design.

FIG. 2 is a right side view thereof.

FIG. 3 is a left side view thereof.

FIG. 4 is a top view thereof.

FIG. 5 is a bottom view thereof.

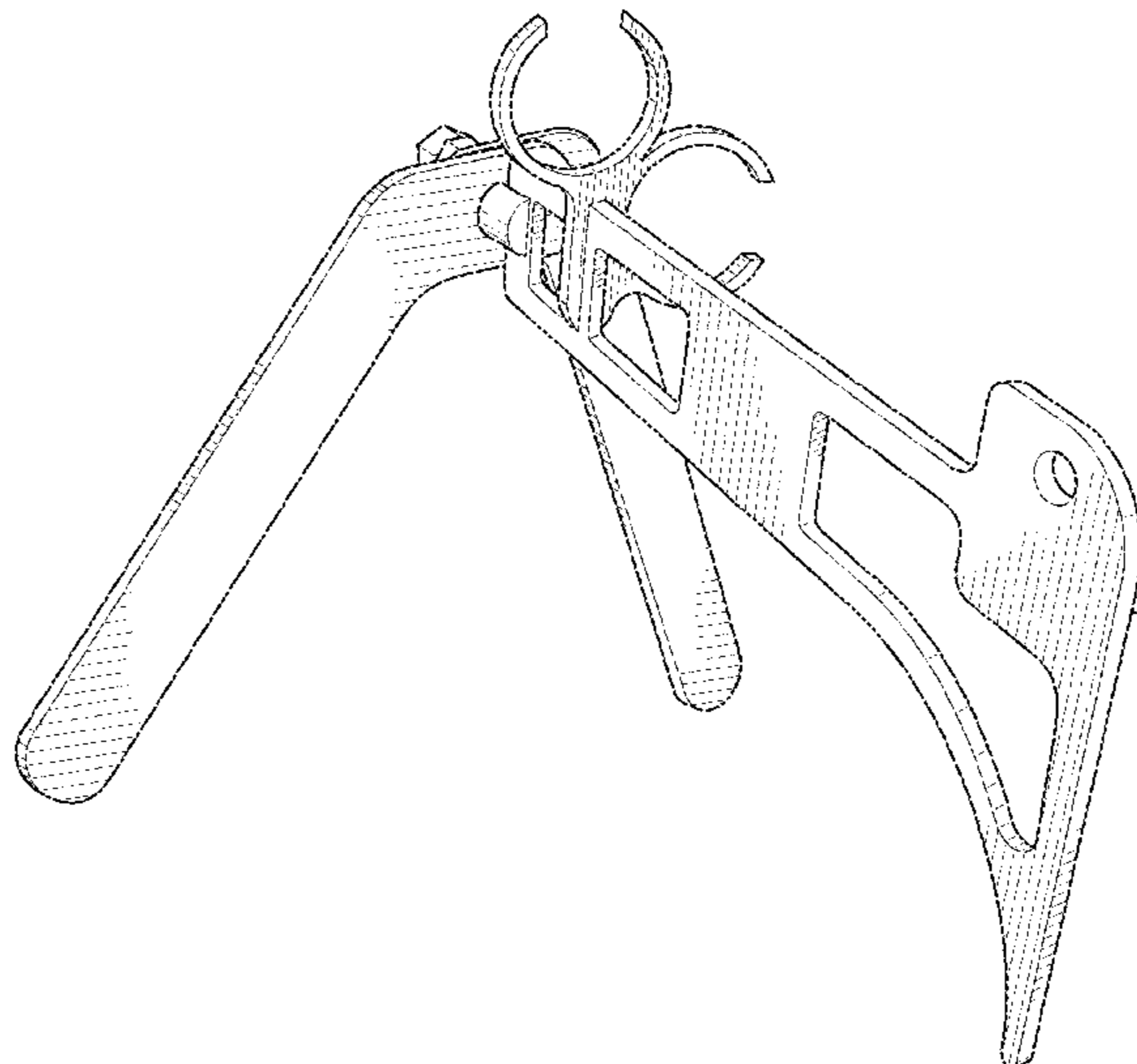
FIG. 6 is a front view thereof.

FIG. 7 is a rear view thereof; and,

FIG. 8 is a right perspective view thereof.

The claimed portable welding clamp attachment device is primarily used to provide a portable device to attach a welding ground clamp or workpiece clamp.

**1 Claim, 5 Drawing Sheets**



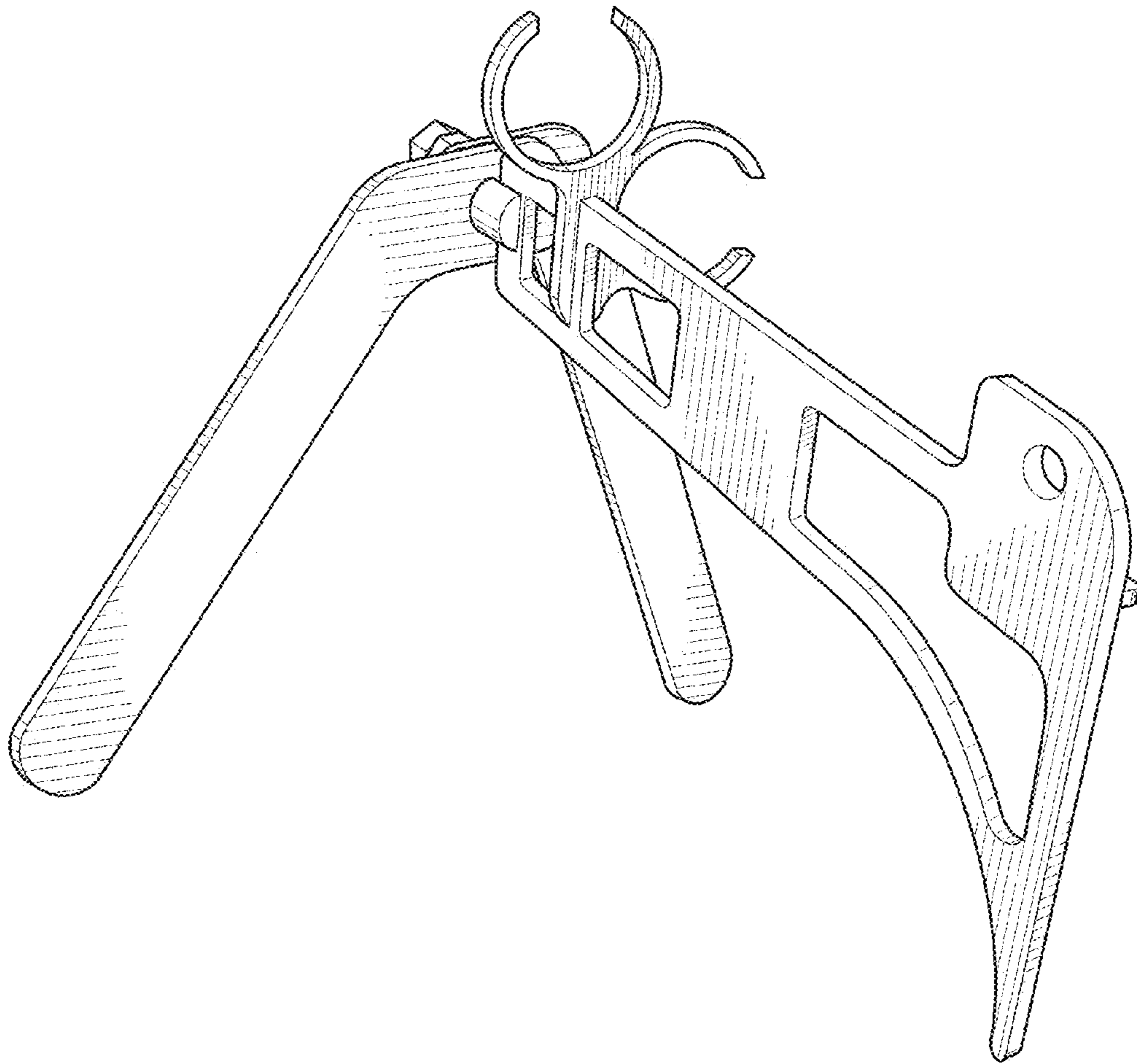


FIG. 1

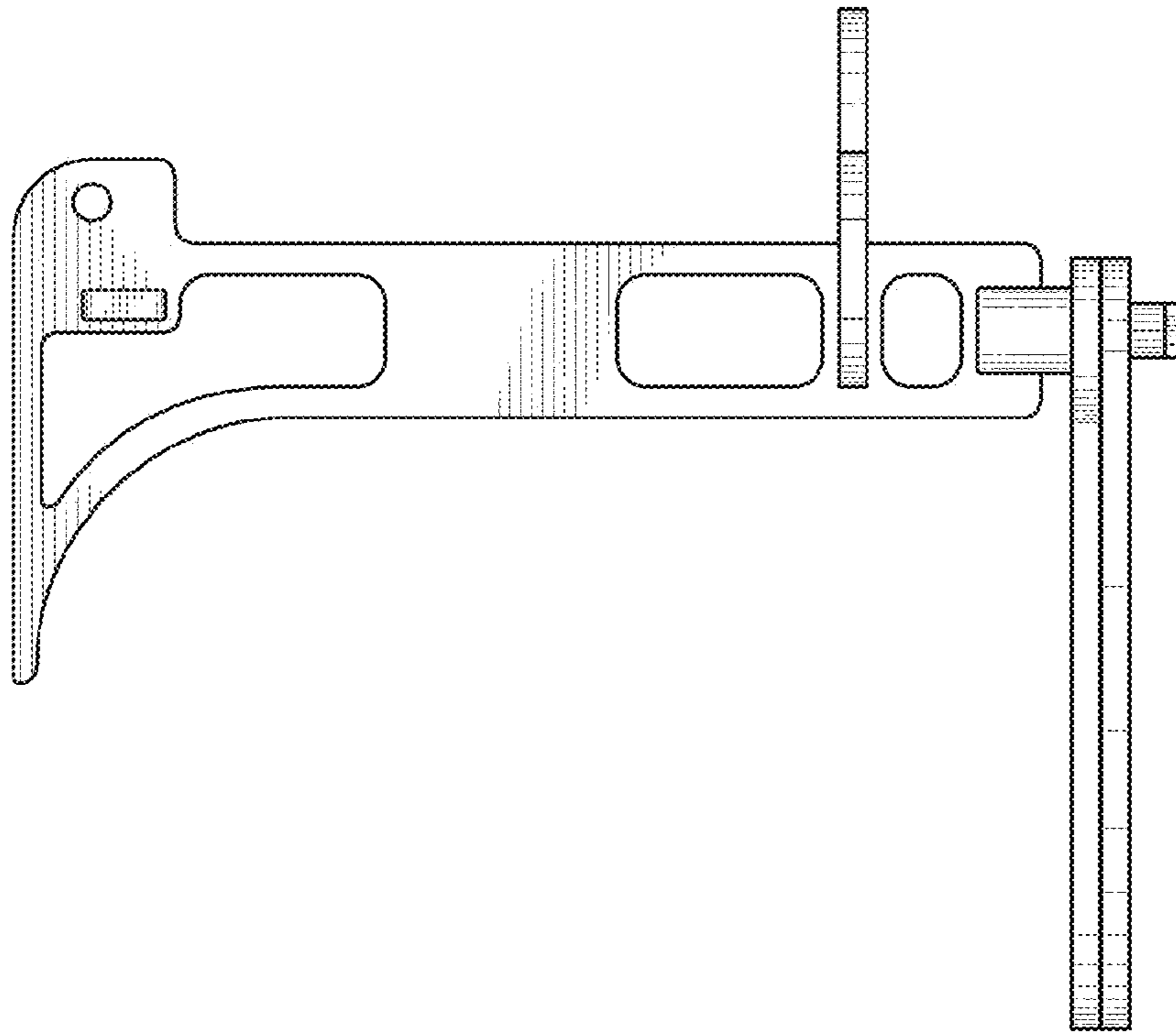


FIG. 2

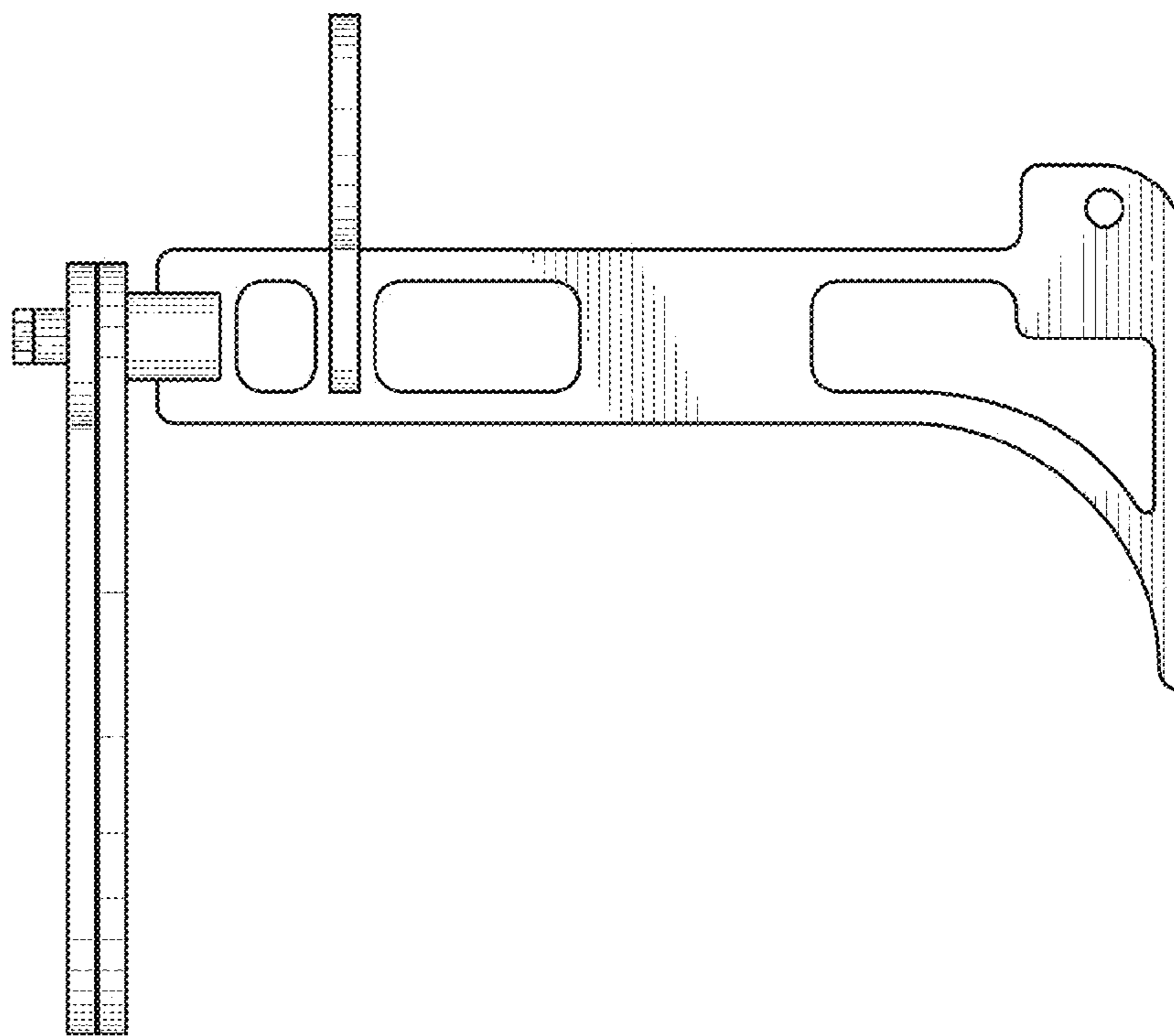


FIG. 3

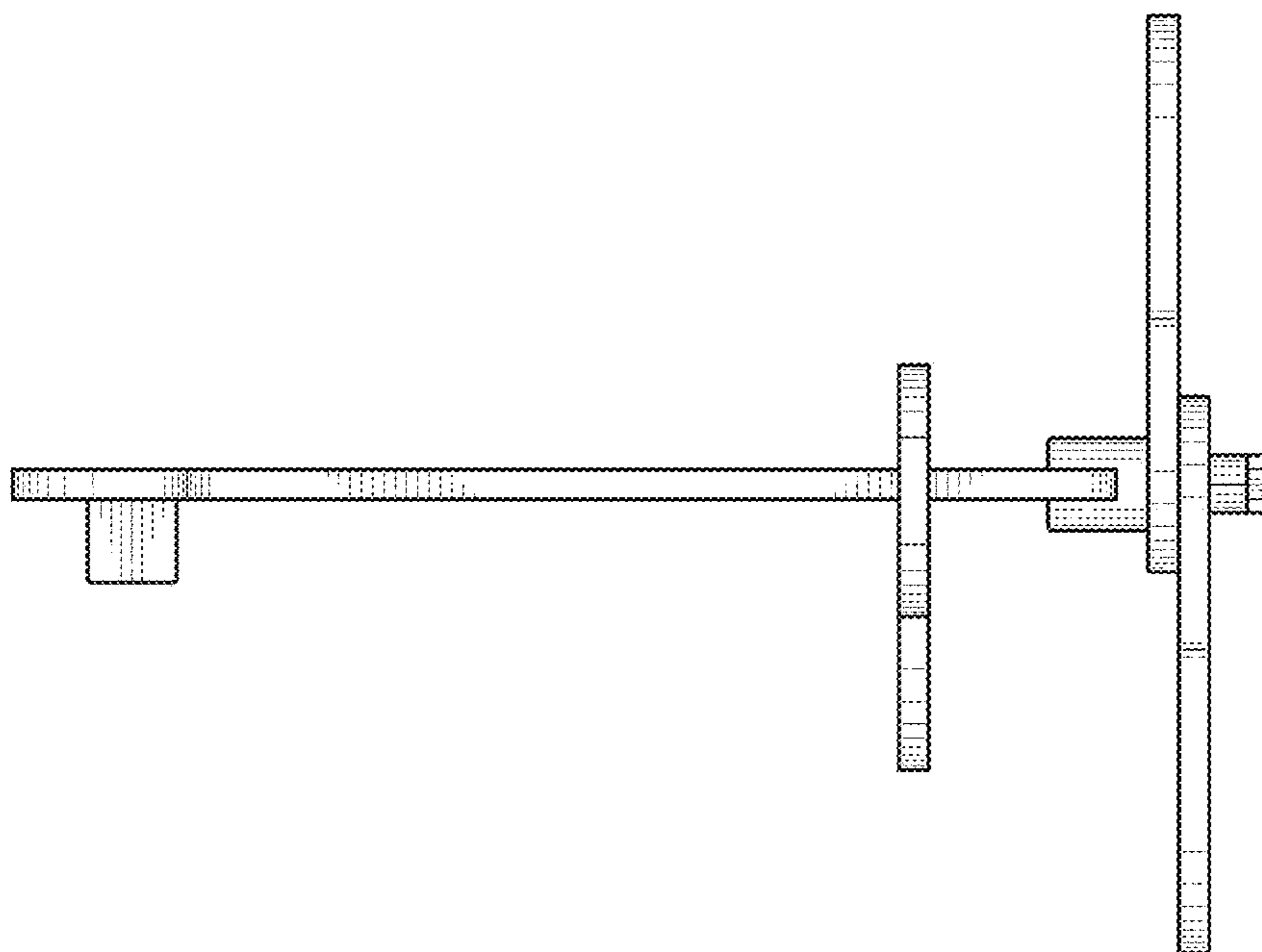


FIG. 4

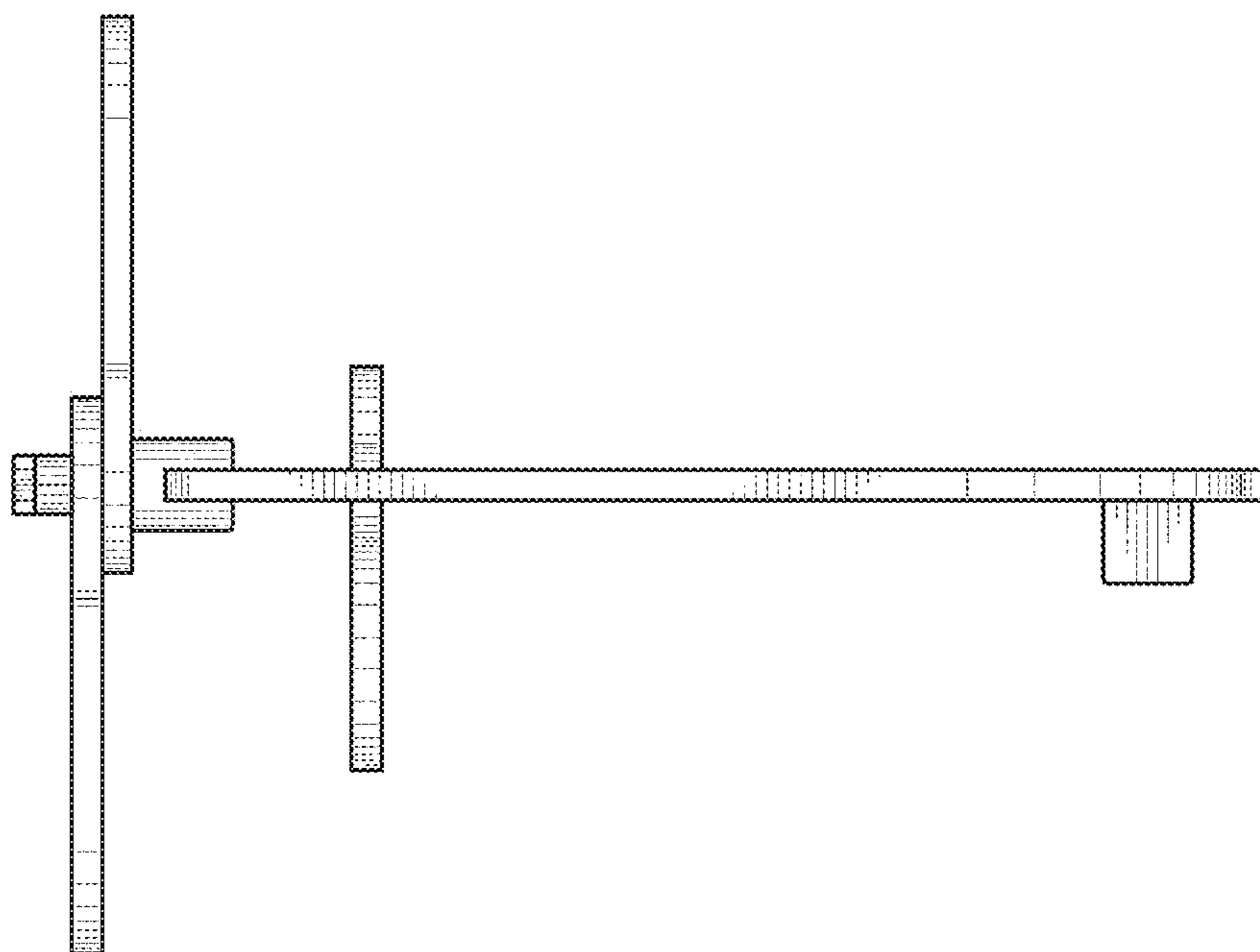
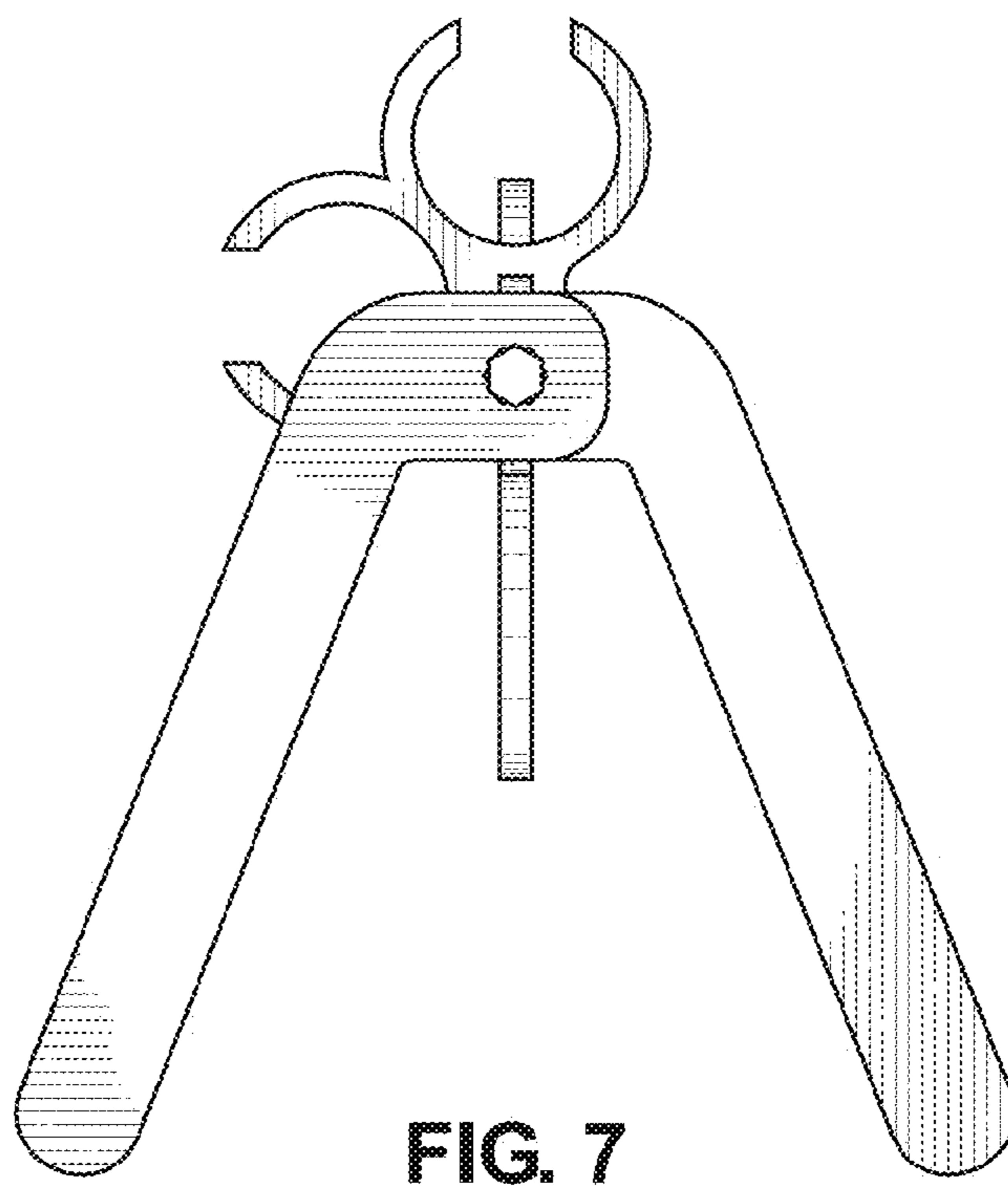
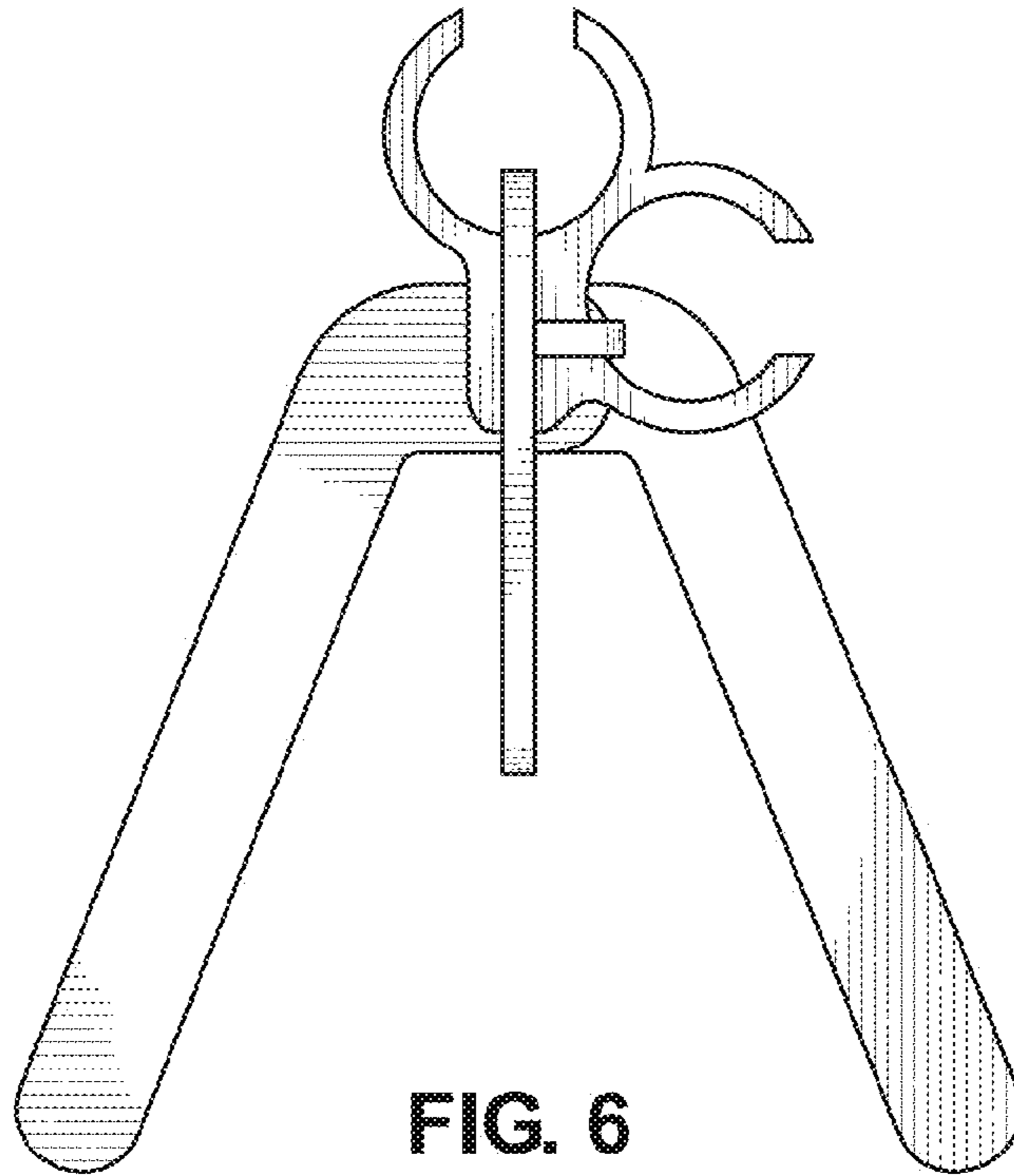


FIG. 5



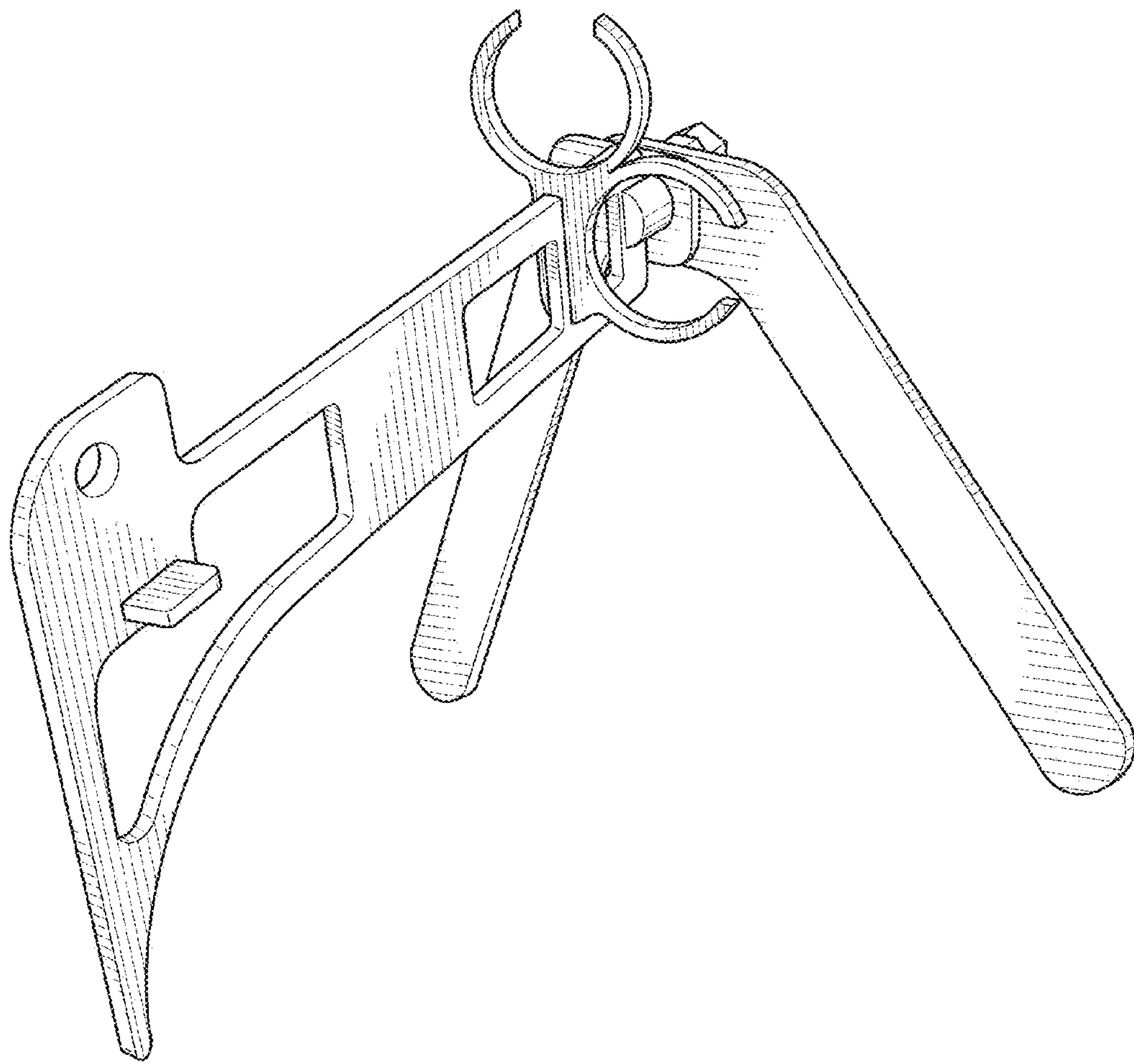


FIG. 8