



US00D714608S

(12) **United States Design Patent**  
**Bonacina et al.**

(10) **Patent No.:** **US D714,608 S**

(45) **Date of Patent:** **\*\* Oct. 7, 2014**

(54) **STAPLER**

(71) Applicant: **Poppin Inc.**, New York, NY (US)

(72) Inventors: **Matteo Bonacina**, Astoria, NY (US);  
**Won Sik Keum**, New York, NY (US);  
**Jeffrey Frederick Miller**, New York,  
NY (US); **Francesca Pezze**, Brooklyn,  
NY (US)

(73) Assignee: **Poppin Inc.**, New York, NY (US)

(\*\*) Term: **14 Years**

(21) Appl. No.: **29/466,123**

(22) Filed: **Sep. 4, 2013**

(51) **LOC (10) Cl.** ..... **19-02**

(52) **U.S. Cl.**  
USPC ..... **D8/50**

(58) **Field of Classification Search**  
USPC ..... D8/48, 49, 50, 61, 68, 69, 70; D19/72,  
D19/73, 65, 69; D21/532; D24/145; 7/158,  
7/160; 227/4, 5, 6, 7, 8, 120, 127, 128,  
227/131, 132, 134, 144, 156, 175.1;  
606/139, 143, 153, 219  
See application file for complete search history.

(56) **References Cited**

**U.S. PATENT DOCUMENTS**

D244,253 S \* 5/1977 Power et al. .... D8/50  
D251,962 S \* 5/1979 Power ..... D8/50

D277,162 S \* 1/1985 Power et al. .... D8/50  
D304,903 S \* 12/1989 Leszczak et al. .... D8/50  
D305,398 S \* 1/1990 Olesen ..... D8/49  
D308,324 S \* 6/1990 Oliver ..... D8/50  
D308,930 S \* 7/1990 Leszczak et al. .... D8/50  
D330,317 S \* 10/1992 Jacober et al. .... D8/50  
D331,178 S \* 11/1992 Bain et al. .... D8/50

\* cited by examiner

*Primary Examiner* — Austin Murphy

(74) *Attorney, Agent, or Firm* — K&L Gates LLP

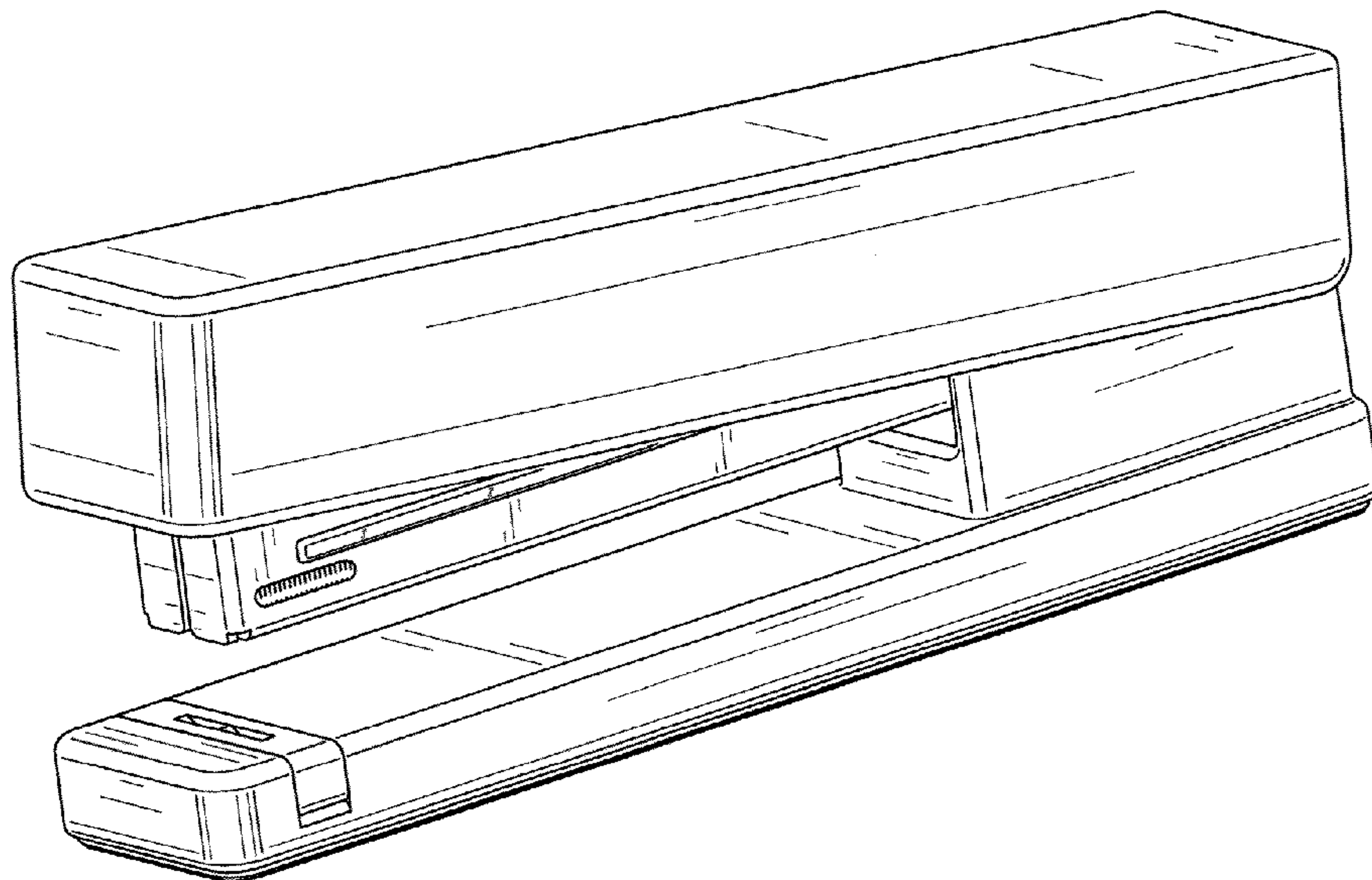
(57) **CLAIM**

The ornamental design for a stapler, as shown and described.

**DESCRIPTION**

FIG. 1 is a perspective view of a stapler;  
FIG. 2 is a front elevation view thereof;  
FIG. 3 is a rear elevation view thereof;  
FIG. 4 is a left side elevation view thereof;  
FIG. 5 is a right side elevation view thereof;  
FIG. 6 is a top plan view thereof; and,  
FIG. 7 is a bottom plan view thereof.  
The broken line portions of the figures are included to show an unclaimed feature which forms no part of the claimed design.

**1 Claim, 6 Drawing Sheets**



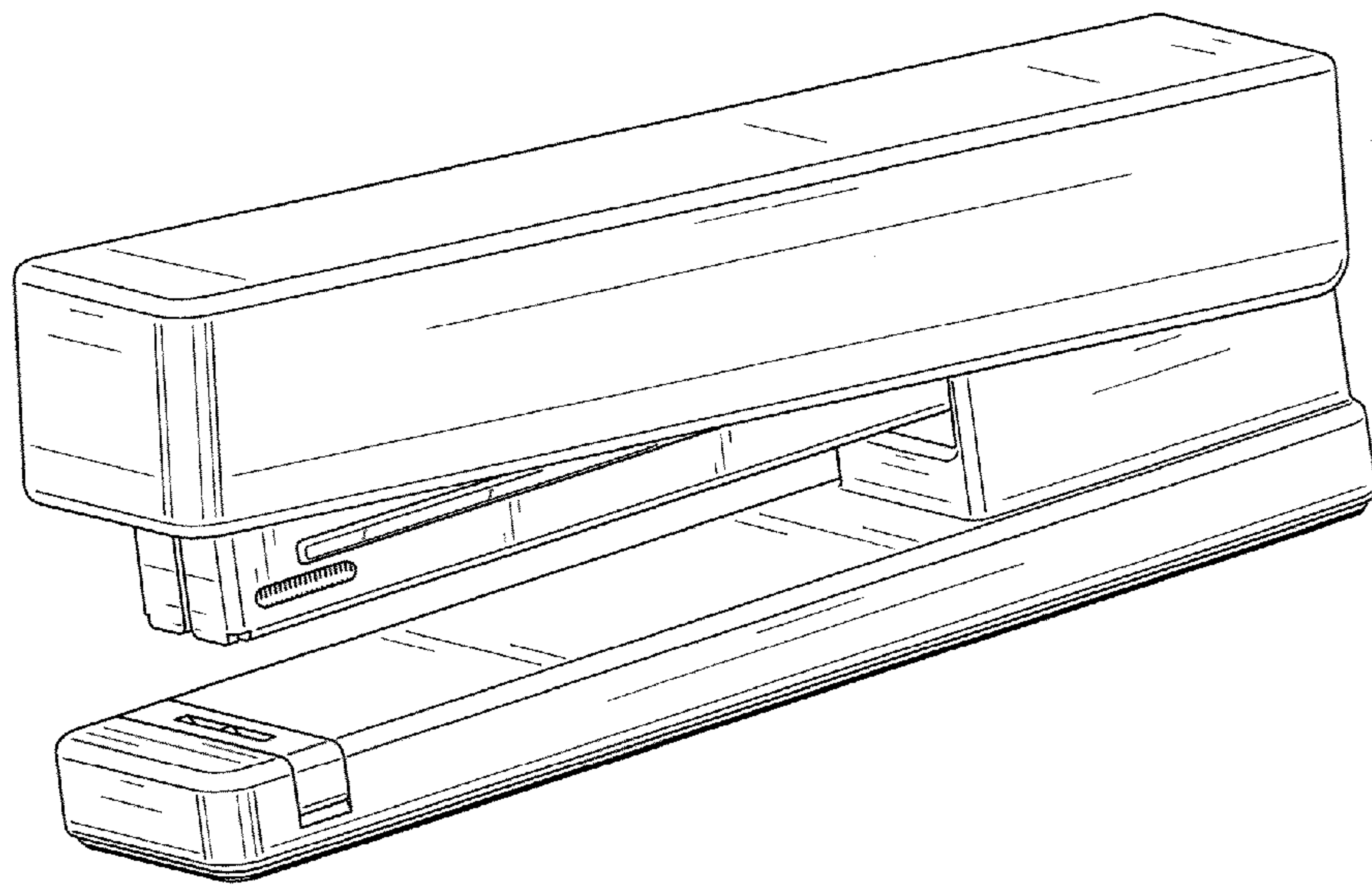


FIG. 1

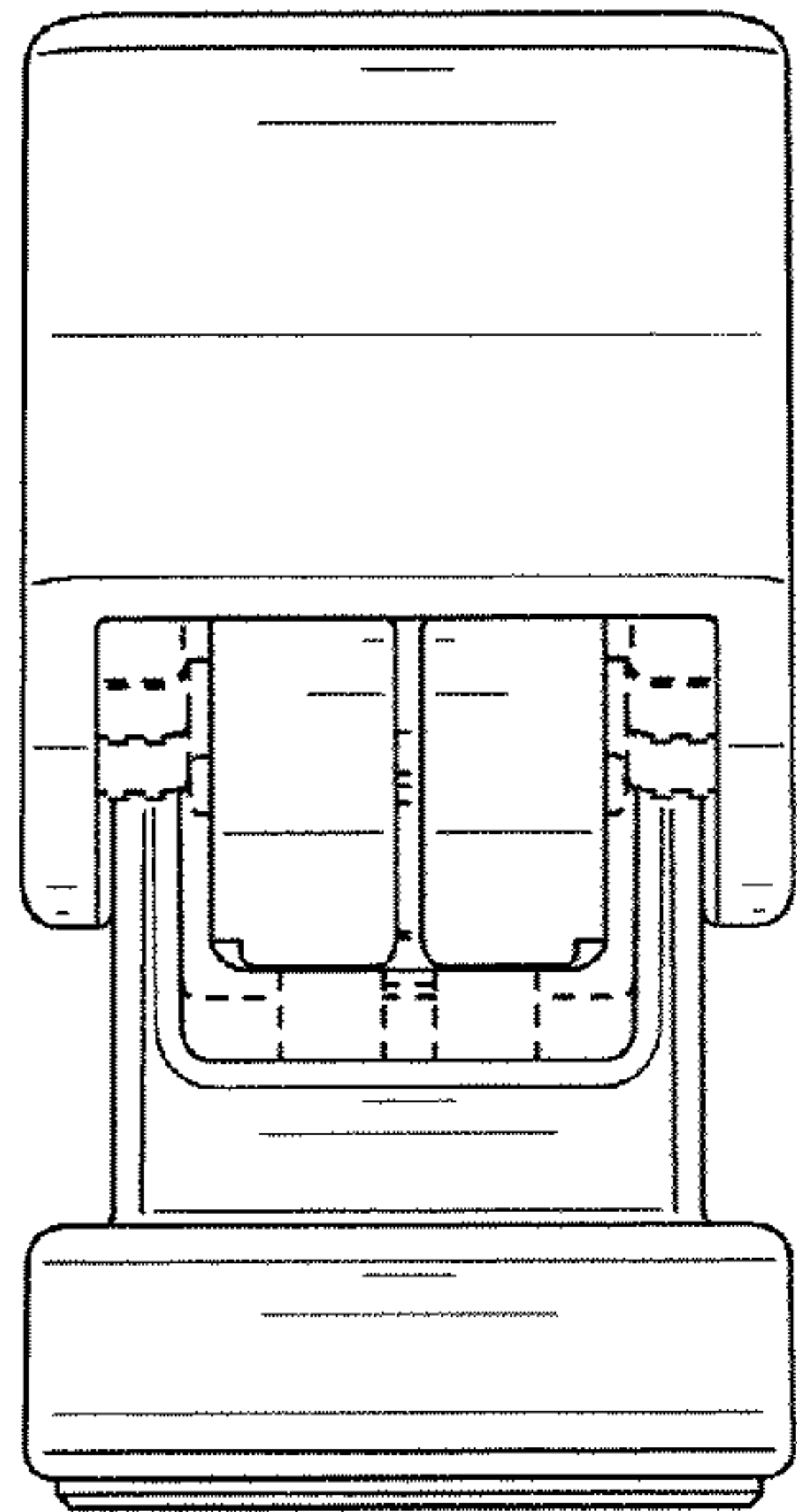


FIG. 2

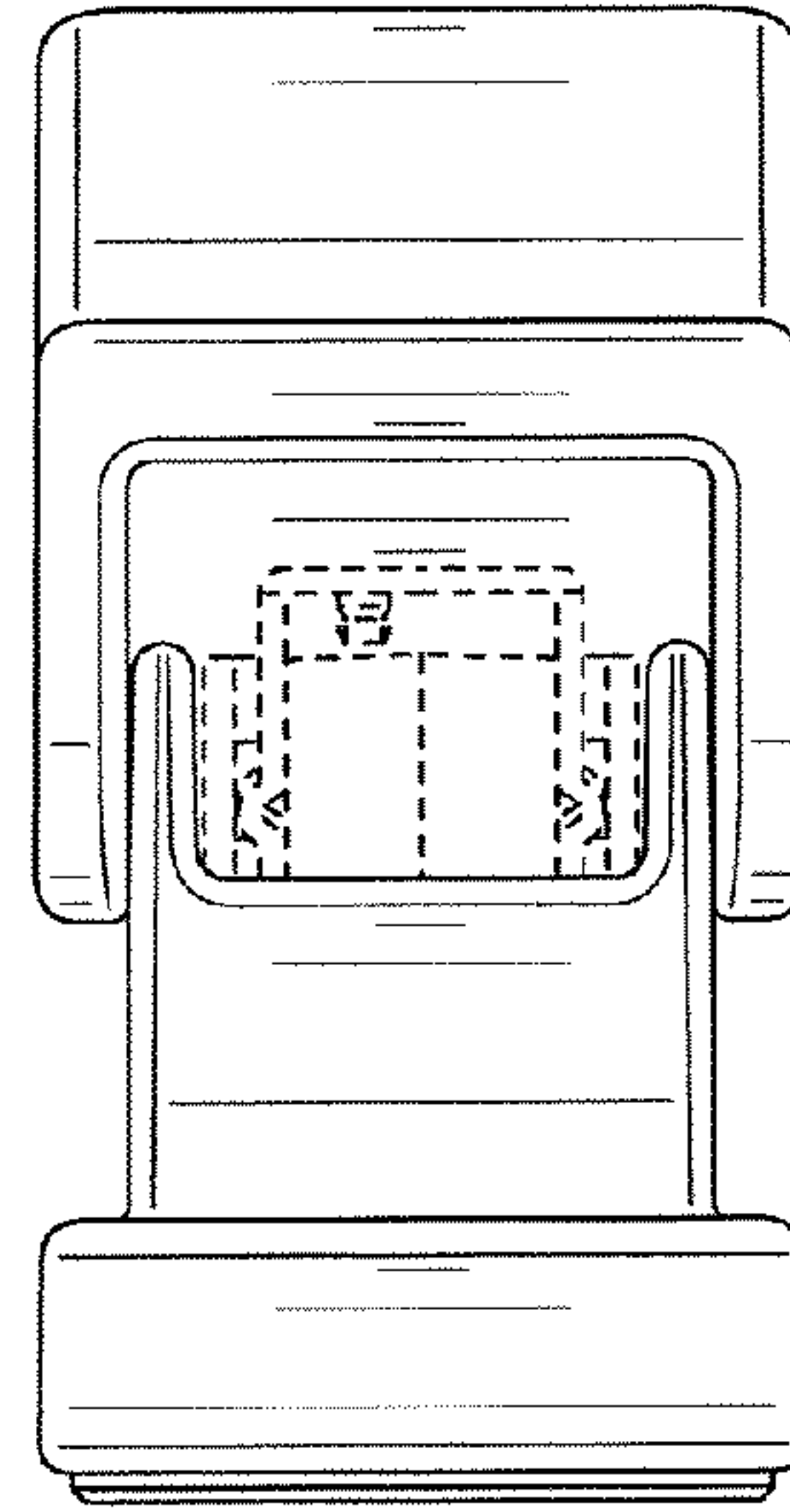


FIG. 3

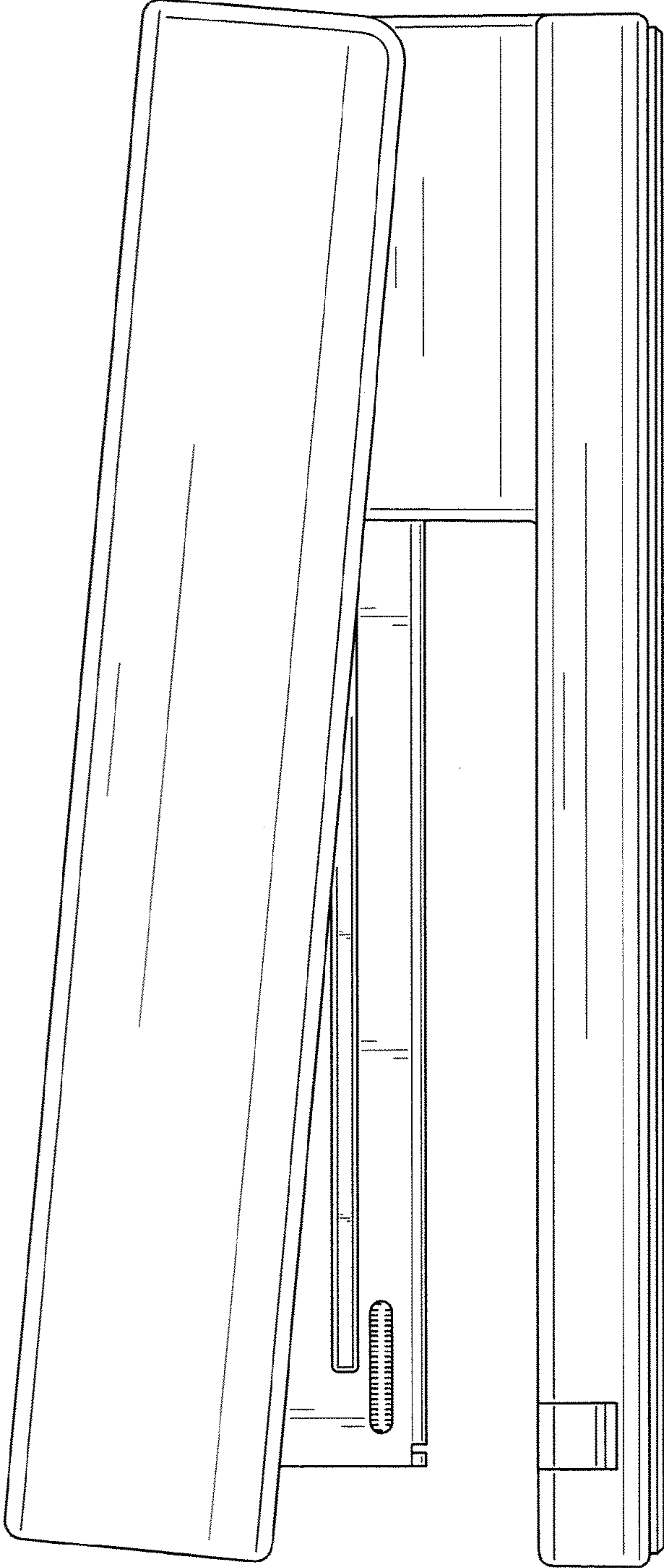


FIG. 4



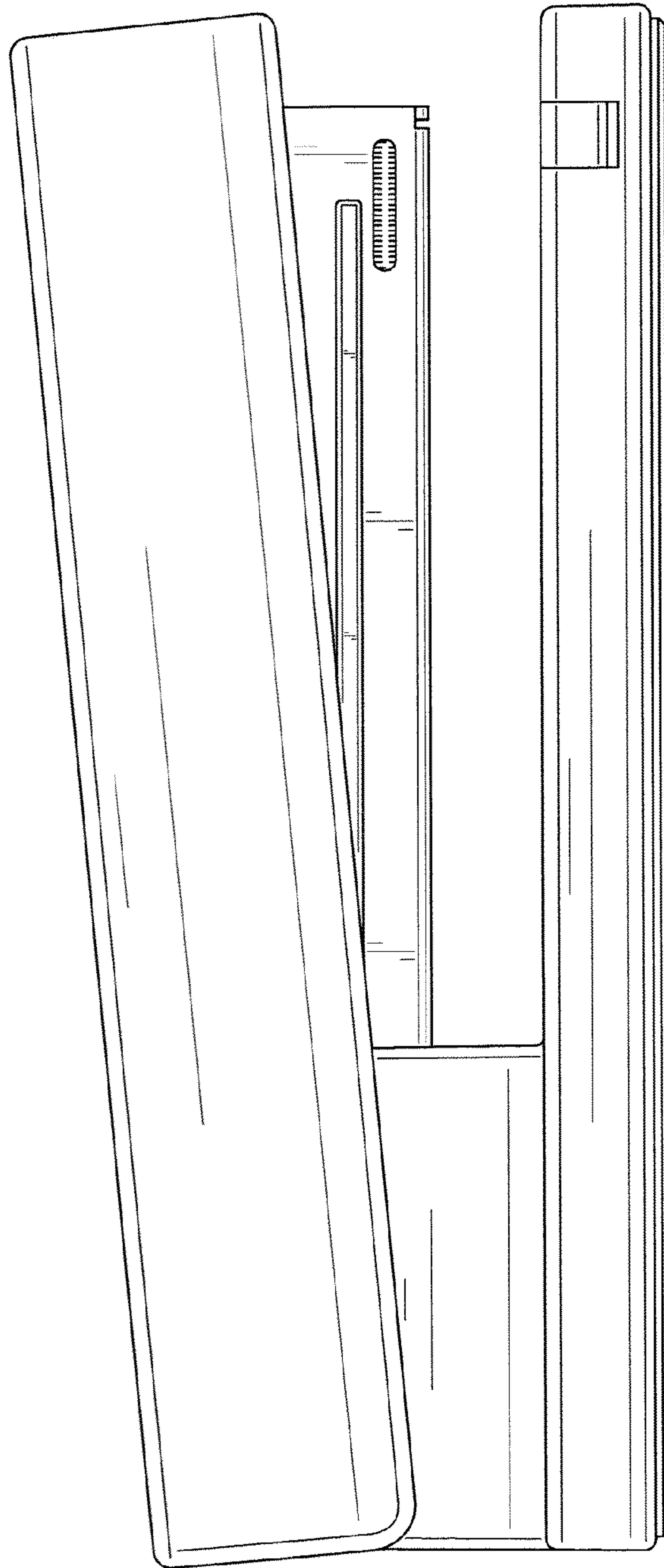


FIG. 5

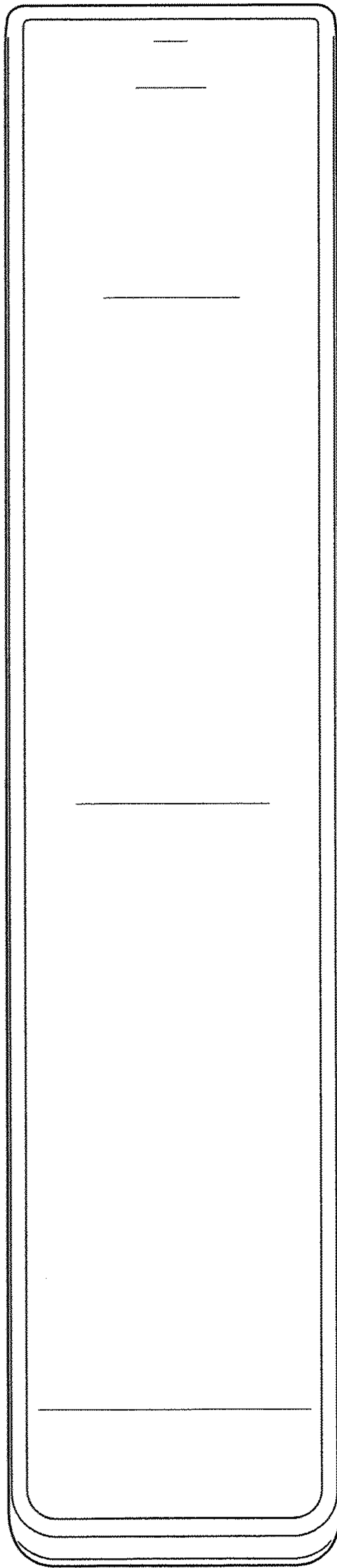


FIG. 6

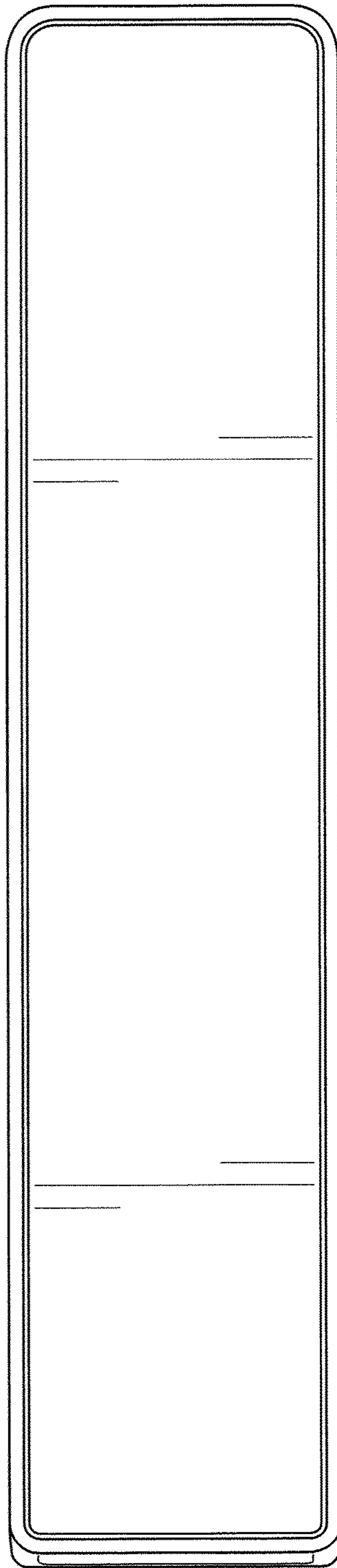


FIG. 7