



US00D714607S

(12) **United States Design Patent**
Chu

(10) **Patent No.:** **US D714,607 S**

(45) **Date of Patent:** **** Oct. 7, 2014**

(54) **TOOL EXTENSION**

(71) Applicant: **Te Chen Chu**, Taichung (TW)

(72) Inventor: **Te Chen Chu**, Taichung (TW)

(**) Term: **14 Years**

(21) Appl. No.: **29/468,764**

(22) Filed: **Oct. 3, 2013**

(51) **LOC (10) Cl.** **08-05**

(52) **U.S. Cl.**
USPC **D8/29**

(58) **Field of Classification Search**
USPC D8/27, 28; 81/35, 177.75, 177.8,
81/177.85, 177.9, 415-424, 177.1;
16/110.1

See application file for complete search history.

(56) **References Cited**

U.S. PATENT DOCUMENTS

D481,290 S *	10/2003	Thompson et al.	D8/107
D482,588 S *	11/2003	Lai	D8/107
D523,724 S *	6/2006	Rinner et al.	D8/107
D601,871 S *	10/2009	Murray	D8/28
D639,625 S *	6/2011	Chang	D8/28
D640,518 S *	6/2011	Kriz et al.	D8/28
D647,613 S *	10/2011	Paget et al.	D24/133

D654,337 S *	2/2012	Huang	D8/25
8,141,460 B2 *	3/2012	Hobden et al.	81/60
D657,216 S *	4/2012	Kriz et al.	D8/28

* cited by examiner

Primary Examiner — Randall Gholson

(74) *Attorney, Agent, or Firm* — Charles E. Baxley

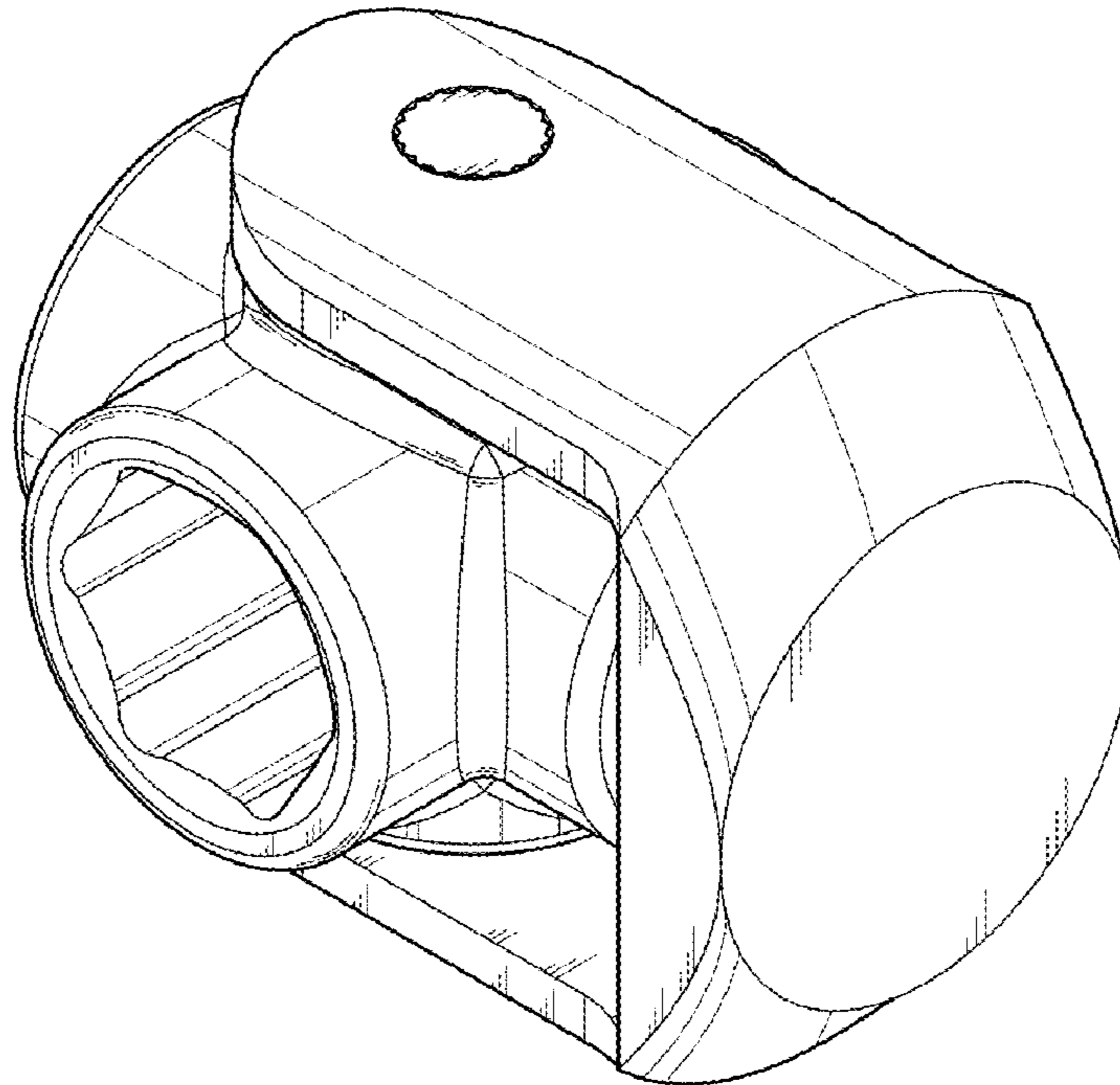
(57) **CLAIM**

The ornamental design for a tool extension, as shown and described.

DESCRIPTION

FIG. 1 is a front perspective view of a tool extension showing my new design;
FIG. 2 is a front elevational view thereof;
FIG. 3 is a rear elevational view thereof;
FIG. 4 is a top plan view thereof;
FIG. 5 is a bottom plan view thereof;
FIG. 6 is a left side elevational view thereof;
FIG. 7 is a right side elevational view thereof;
FIG. 8 is a rear perspective view thereof; and,
FIGS. 9, 10, 11, 12, 13 are front perspective views thereof, the tool stem depicted by means of broken lines shows unclaimed subject matter only and forms no part of the claimed design.

1 Claim, 7 Drawing Sheets



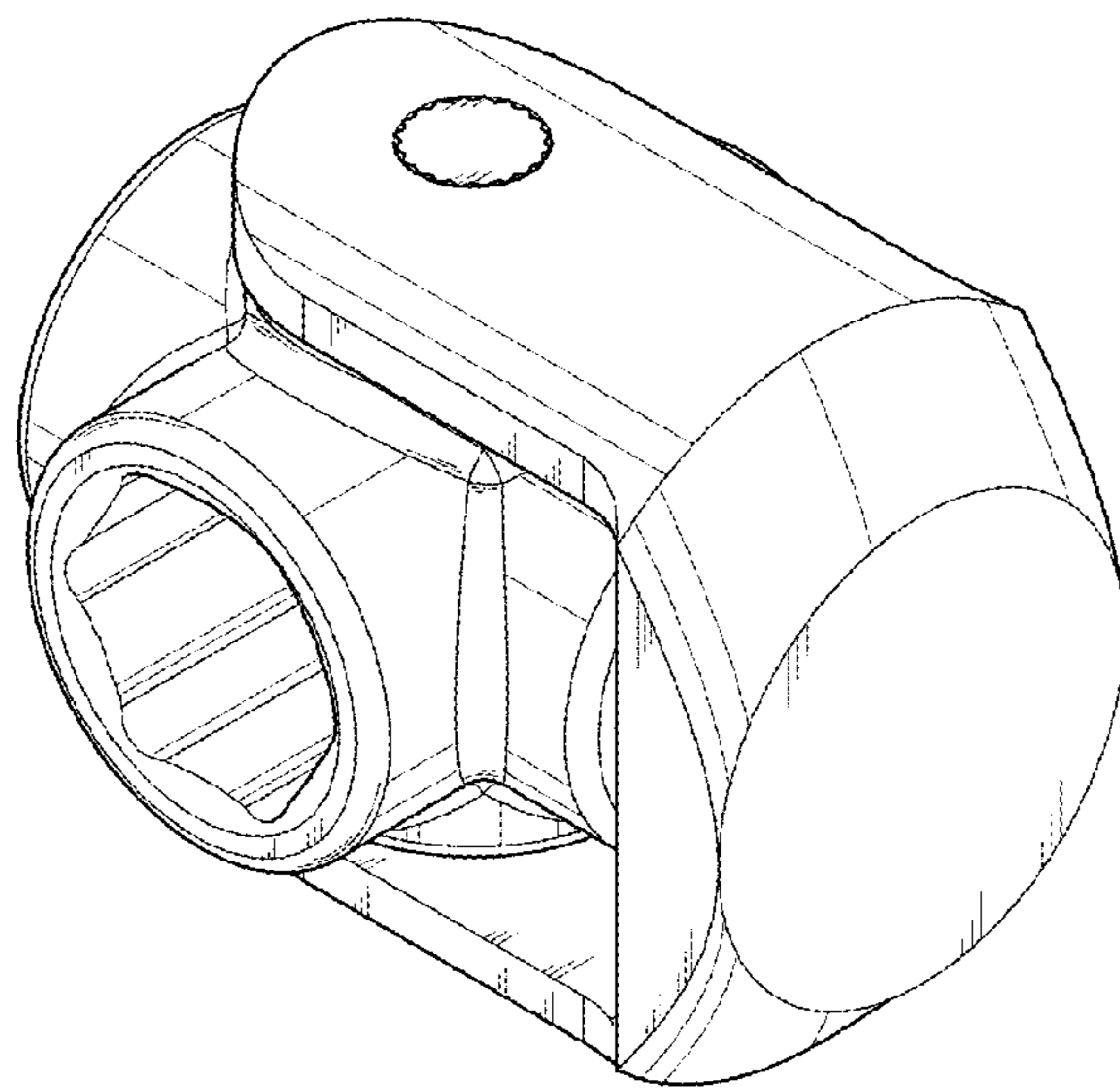


FIG. 1

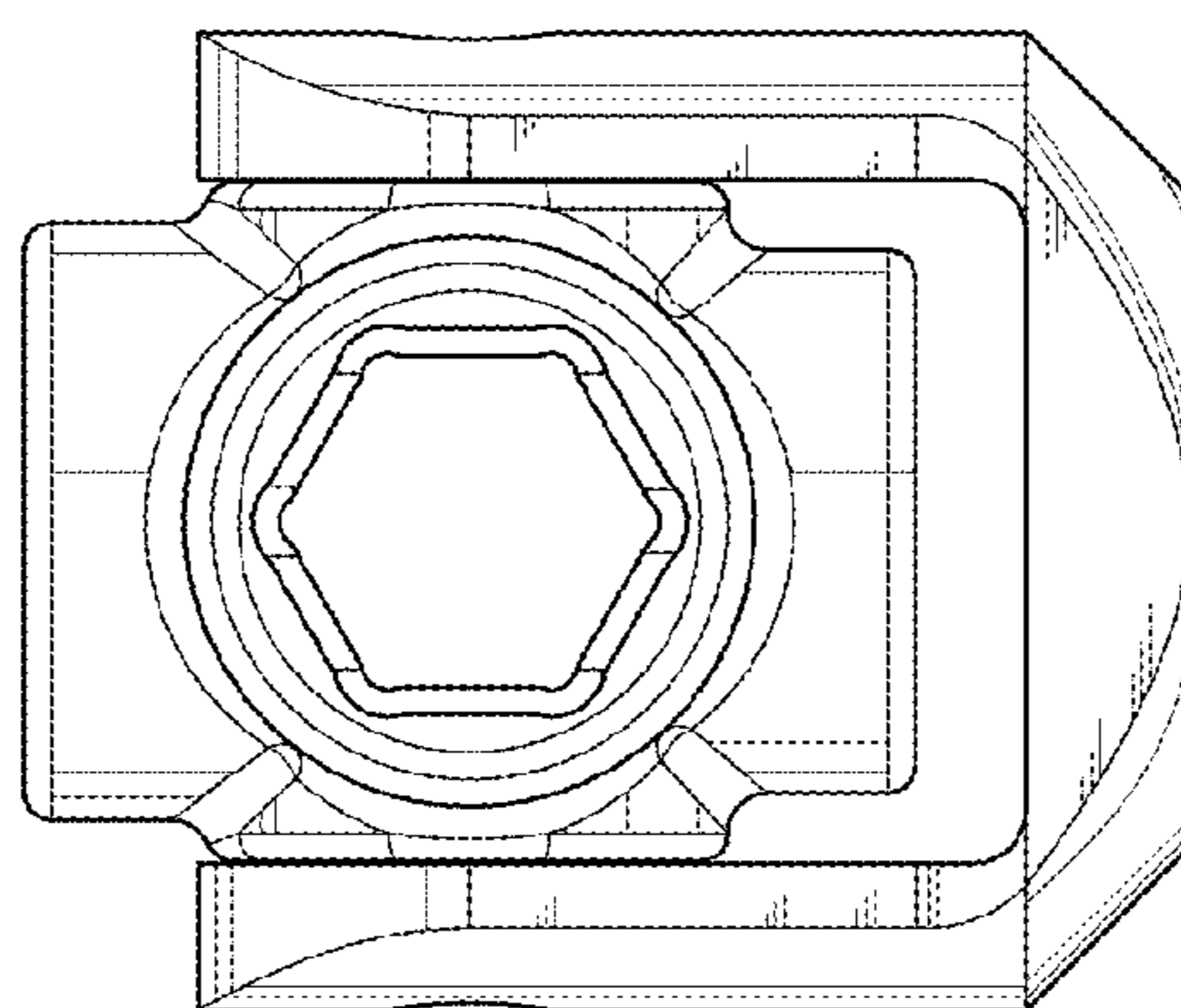


FIG. 2

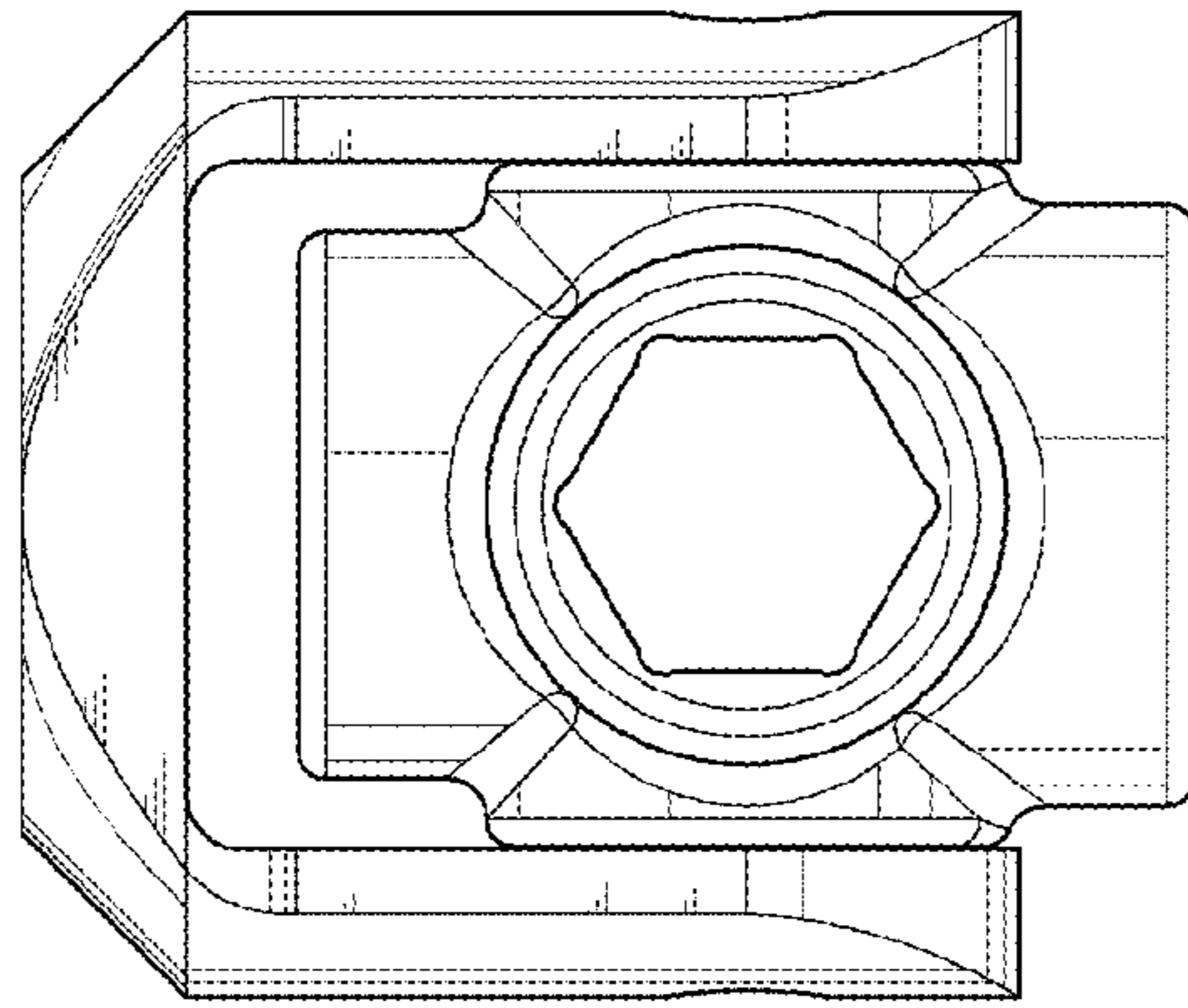


FIG. 3

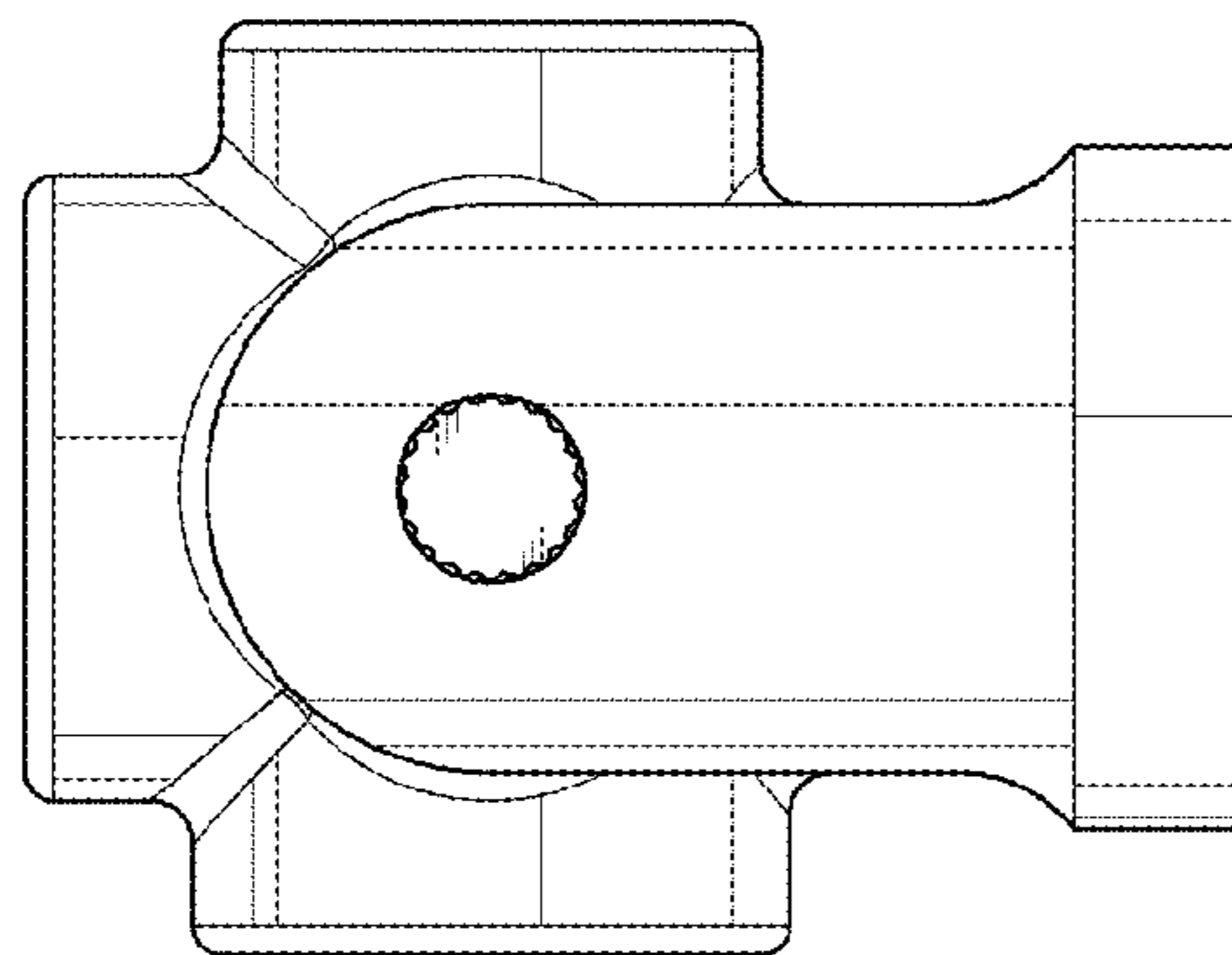


FIG. 4

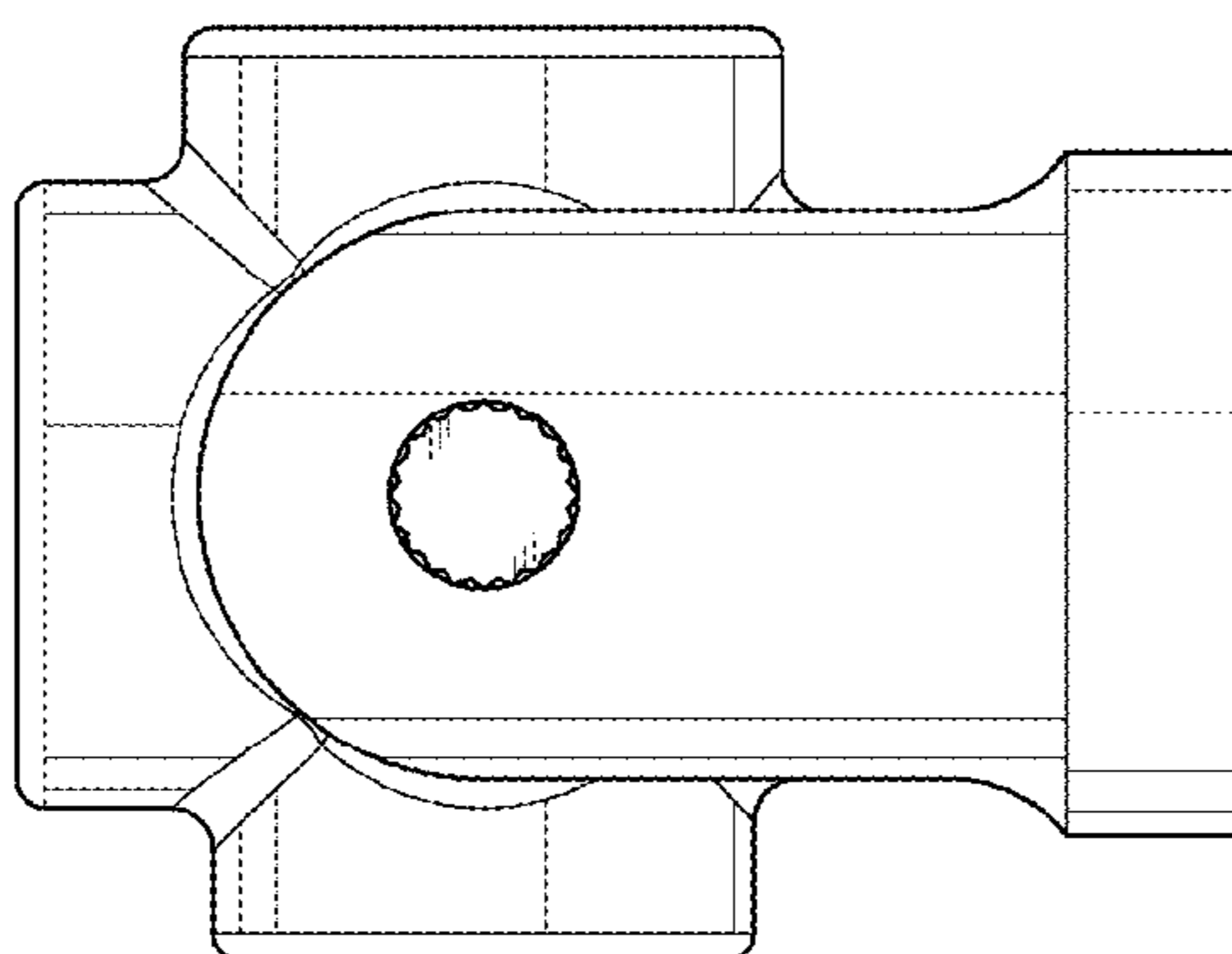


FIG. 5

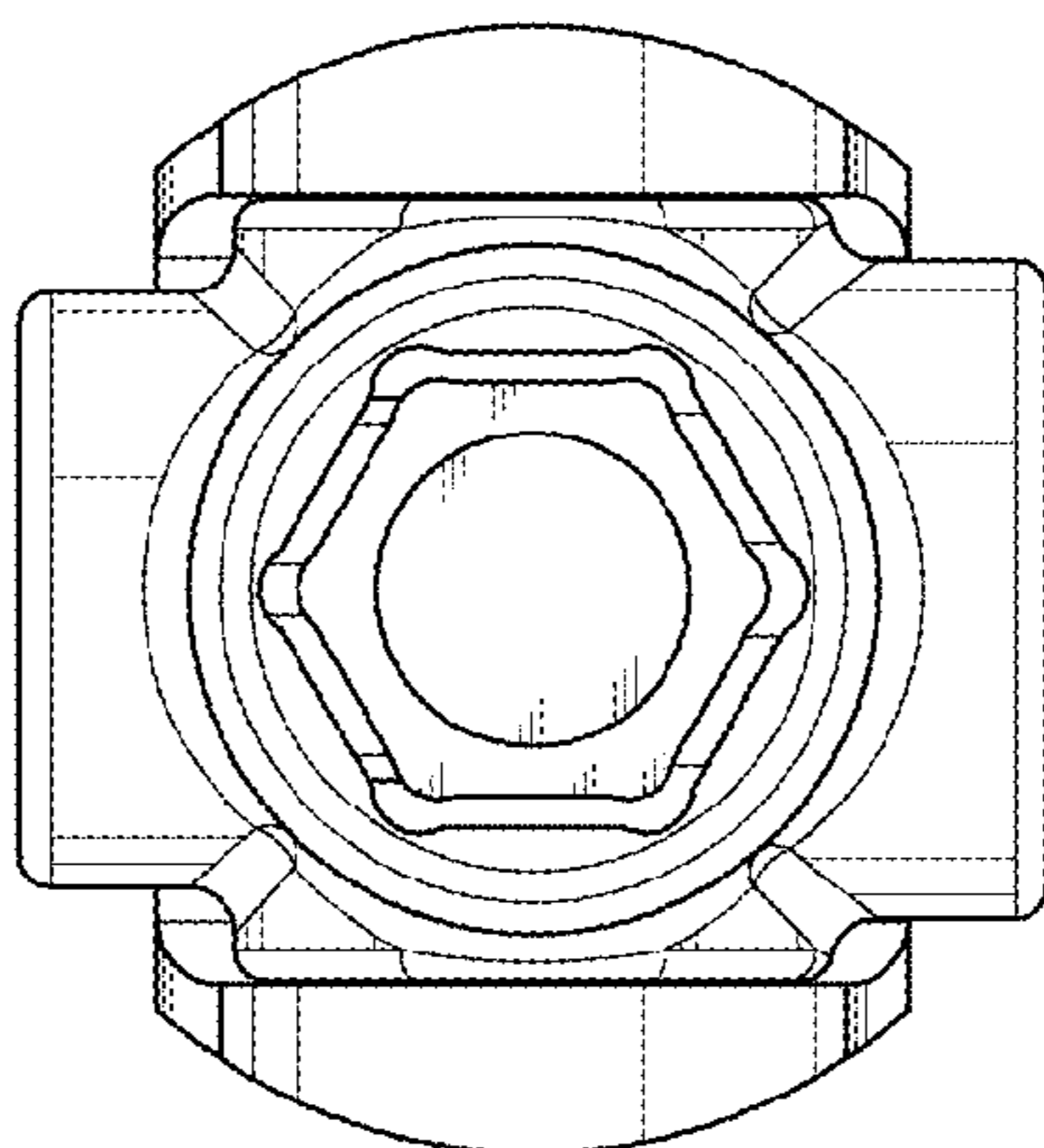


FIG. 6

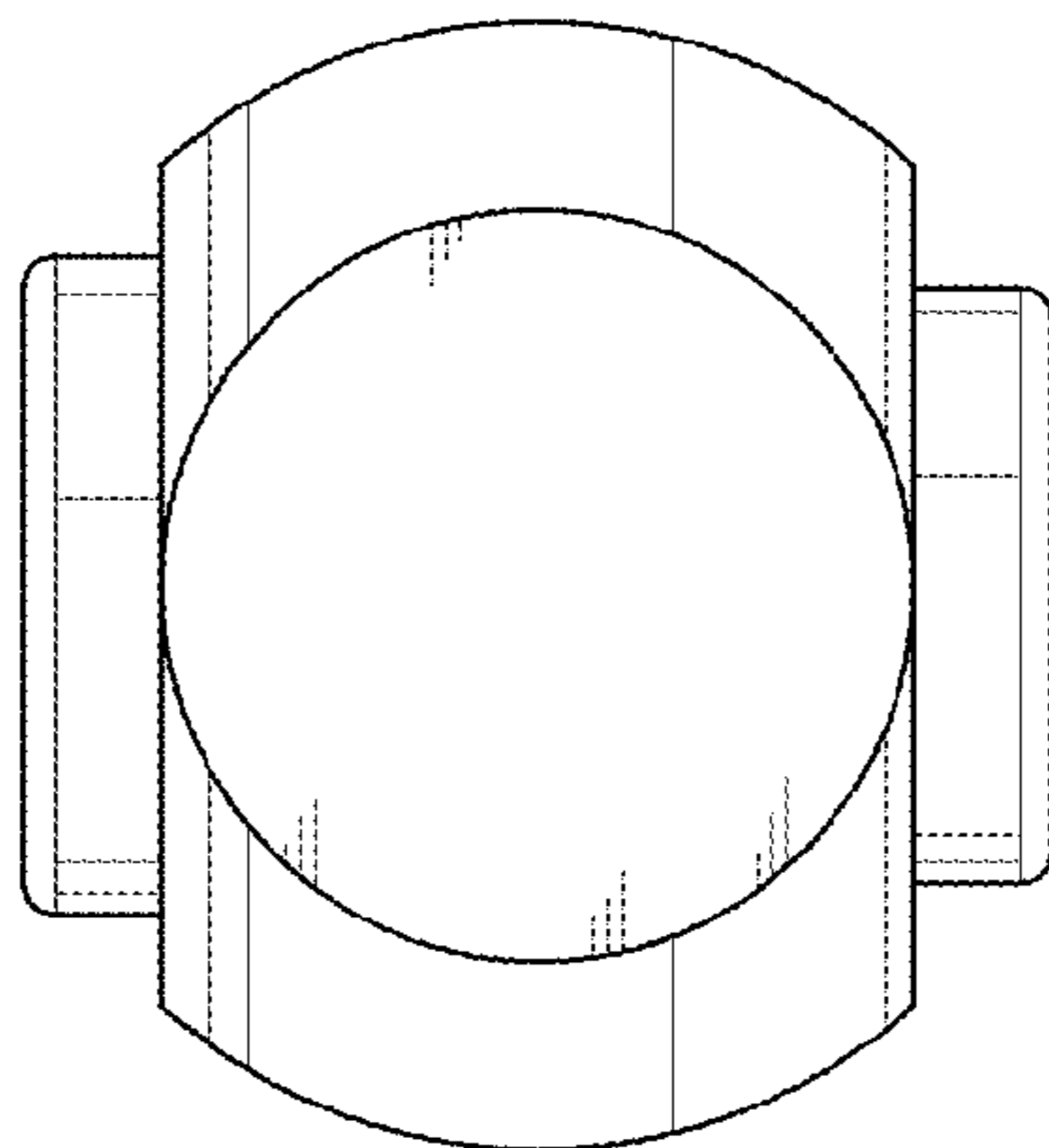


FIG. 7

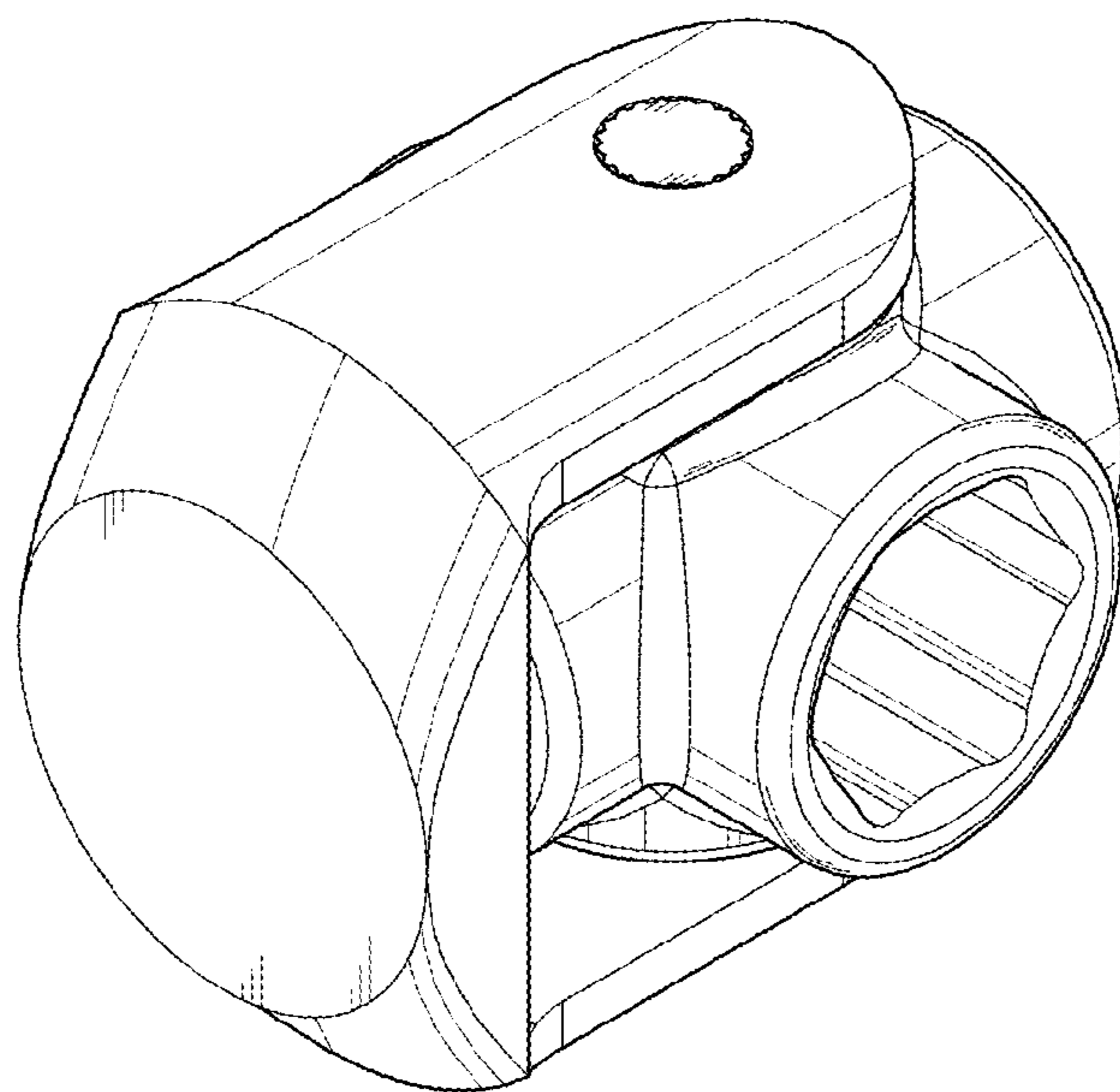


FIG. 8

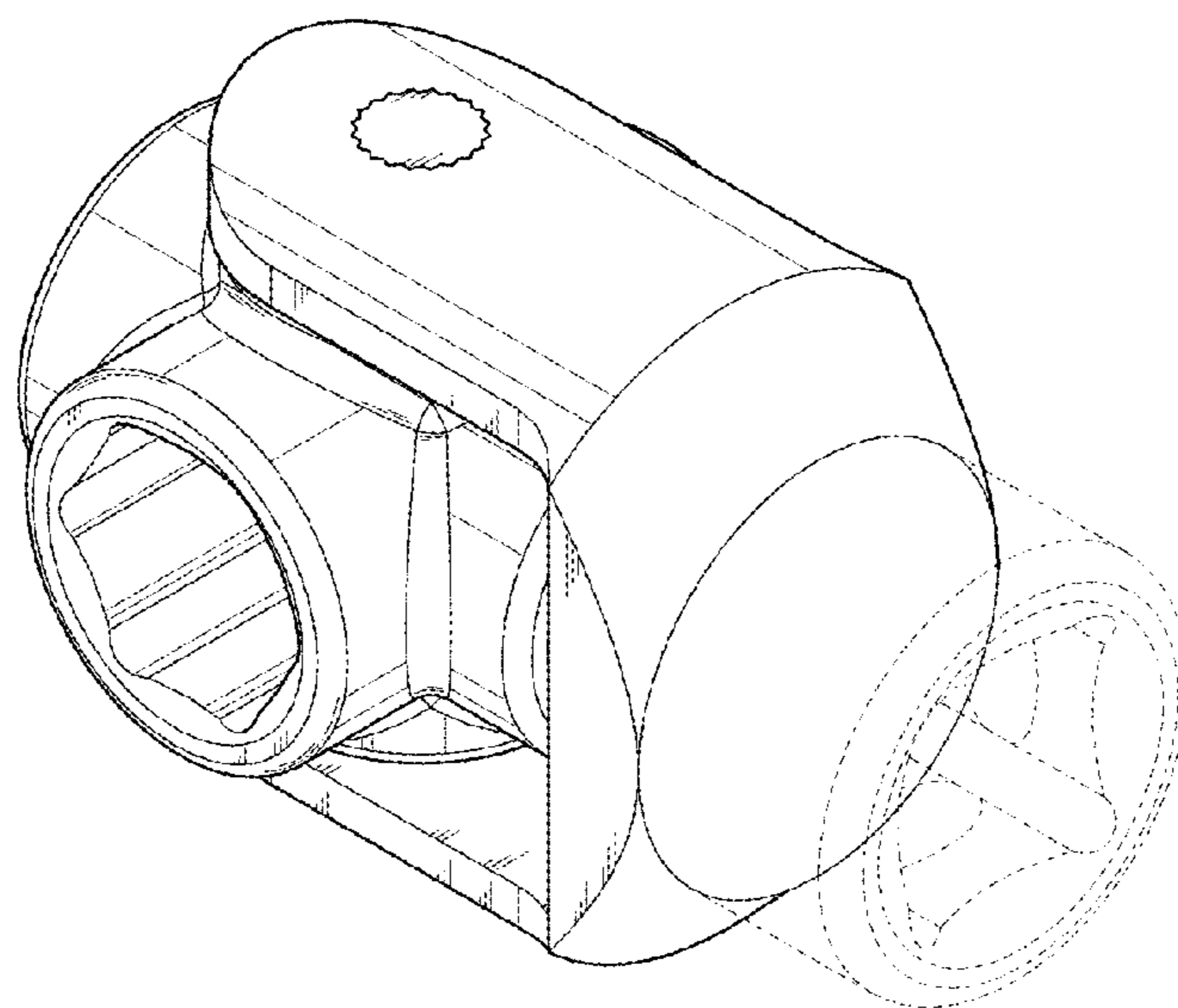


FIG. 9

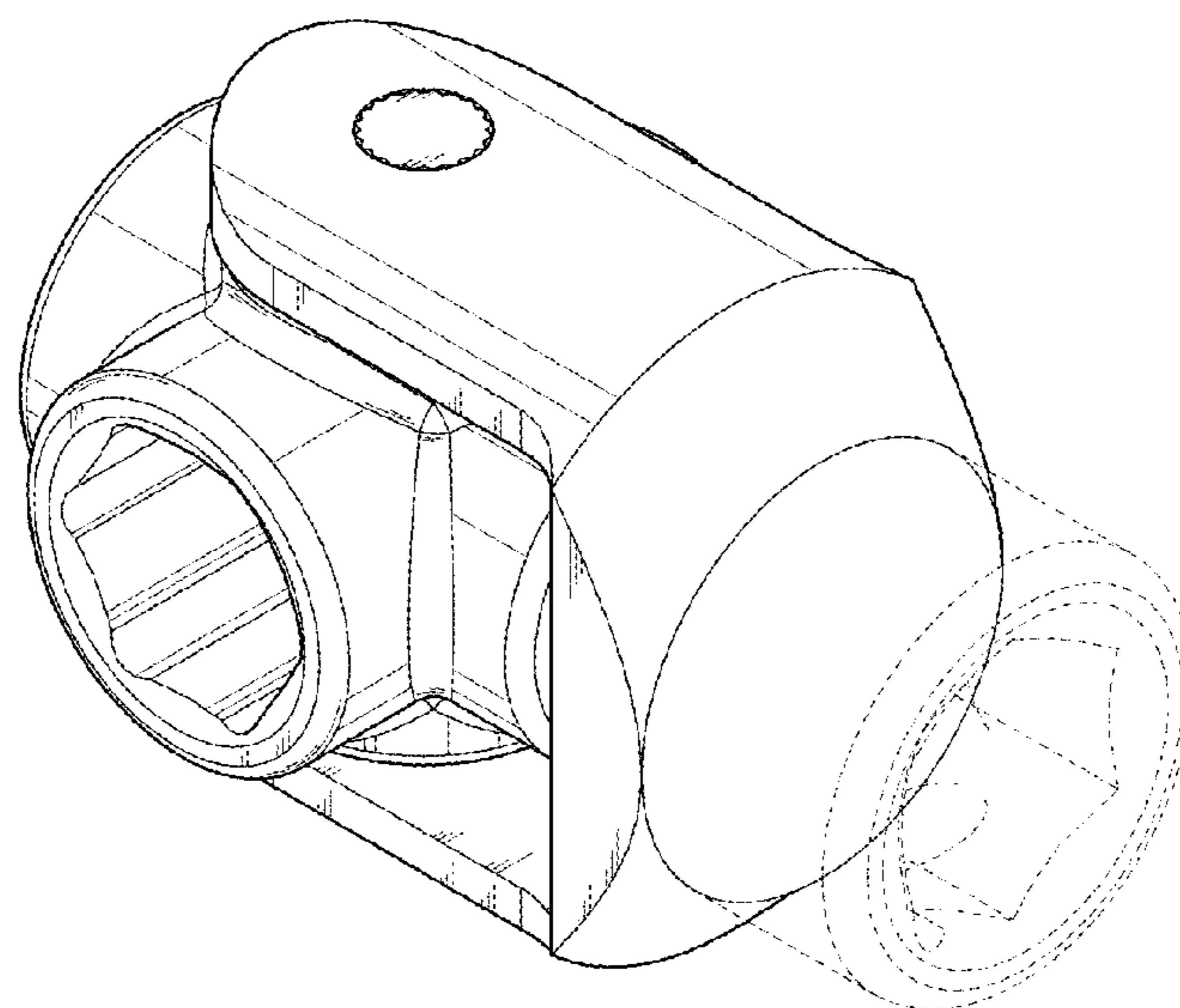


FIG. 10

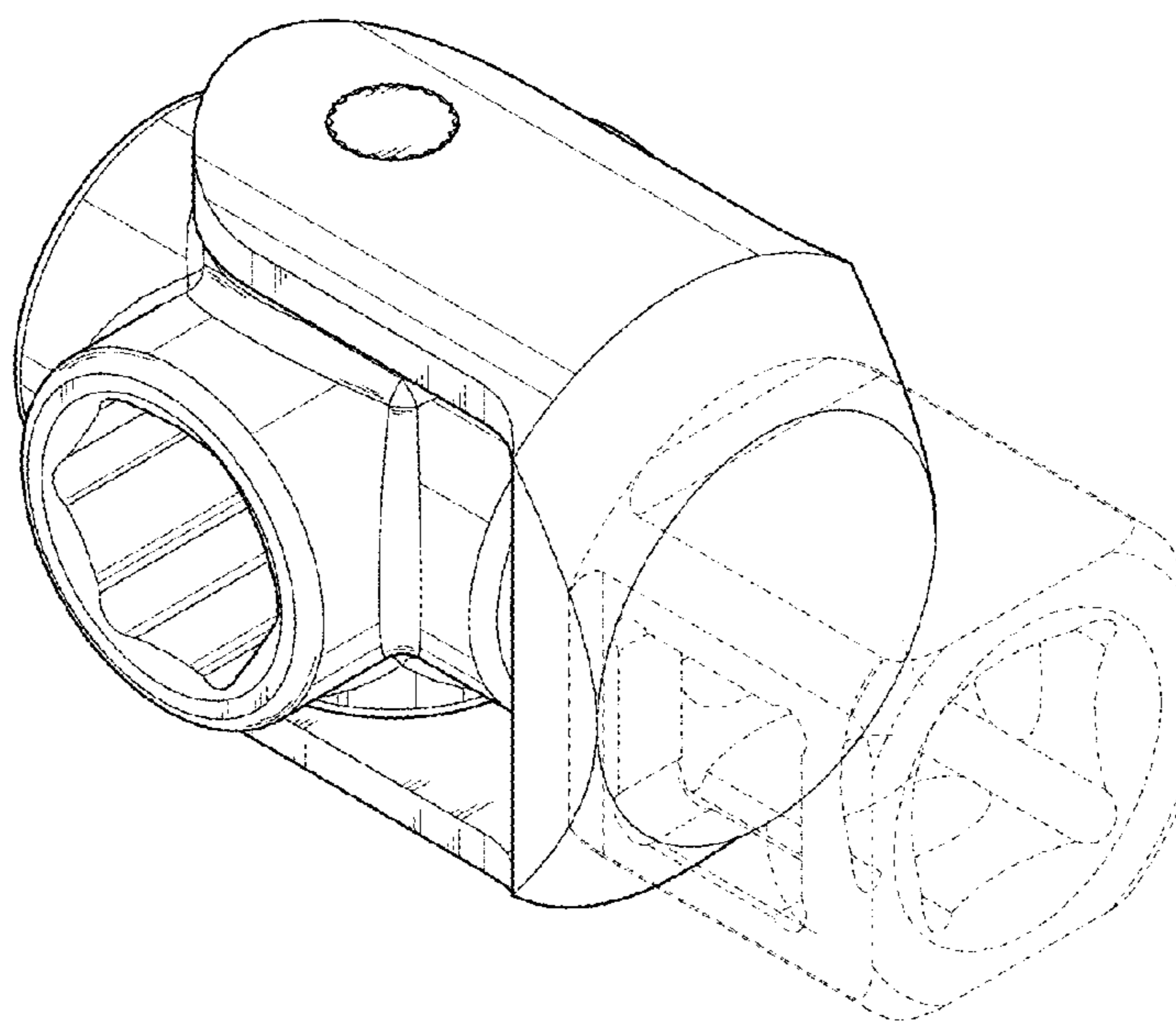


FIG. 11

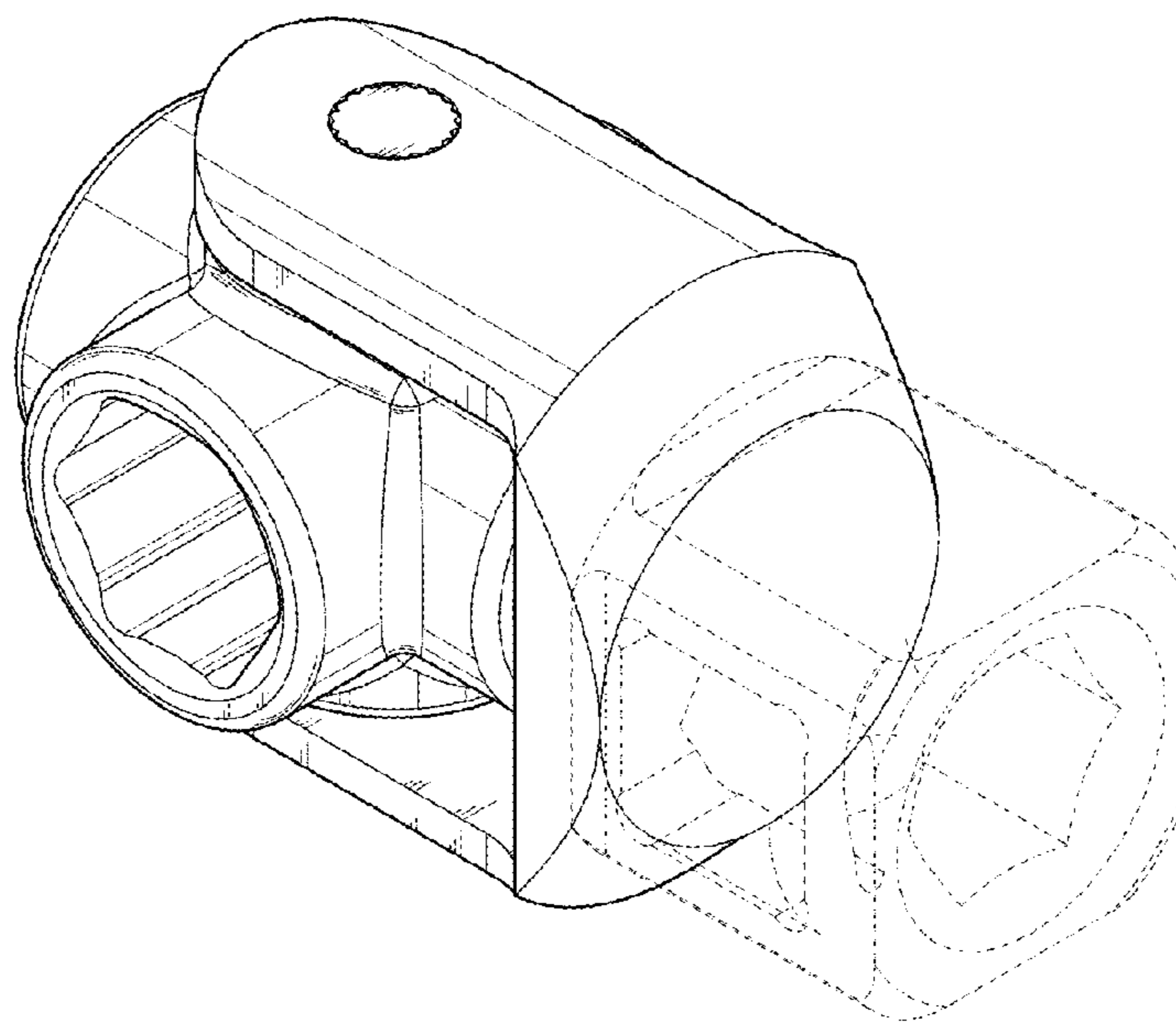


FIG. 12

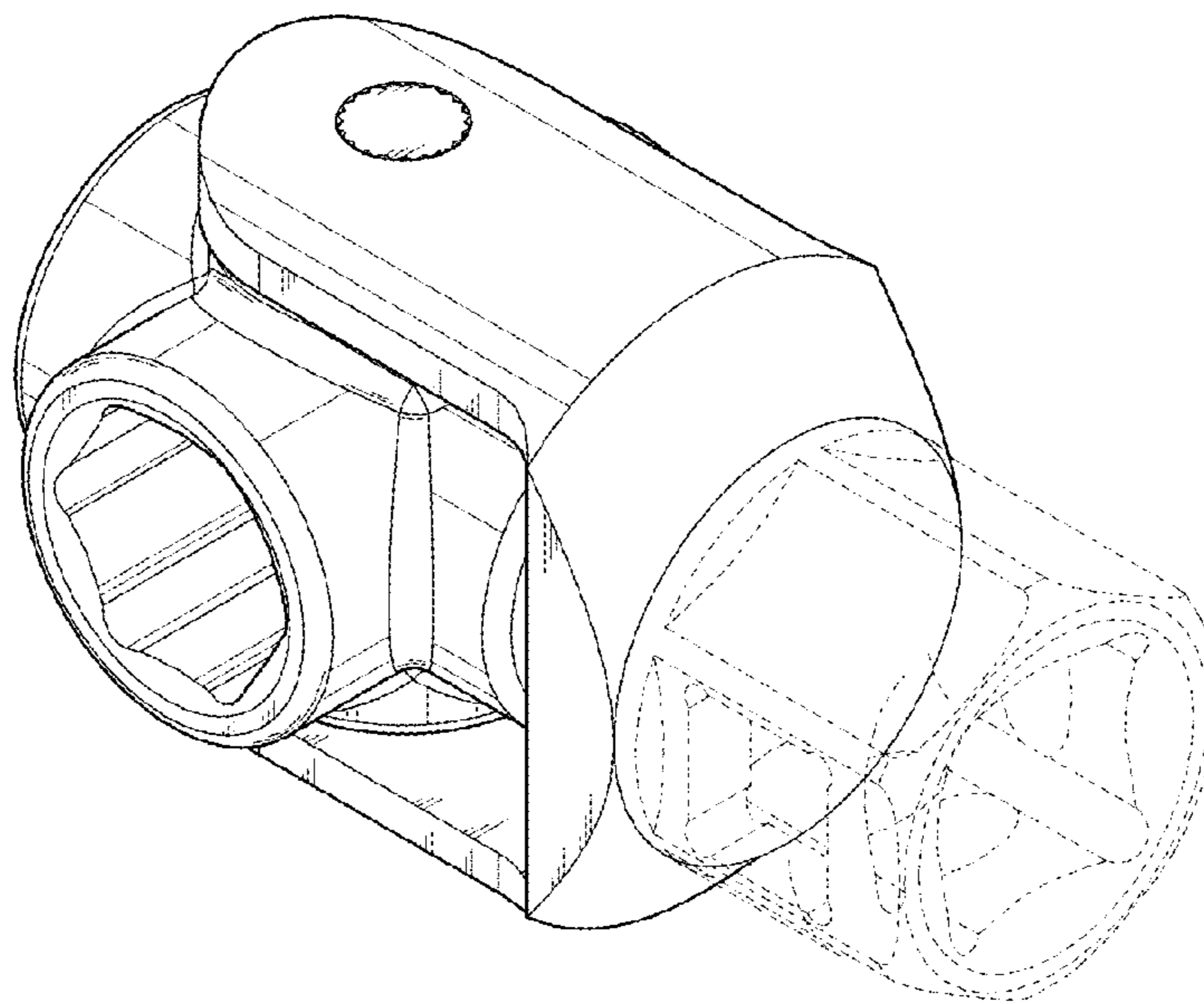


FIG. 13

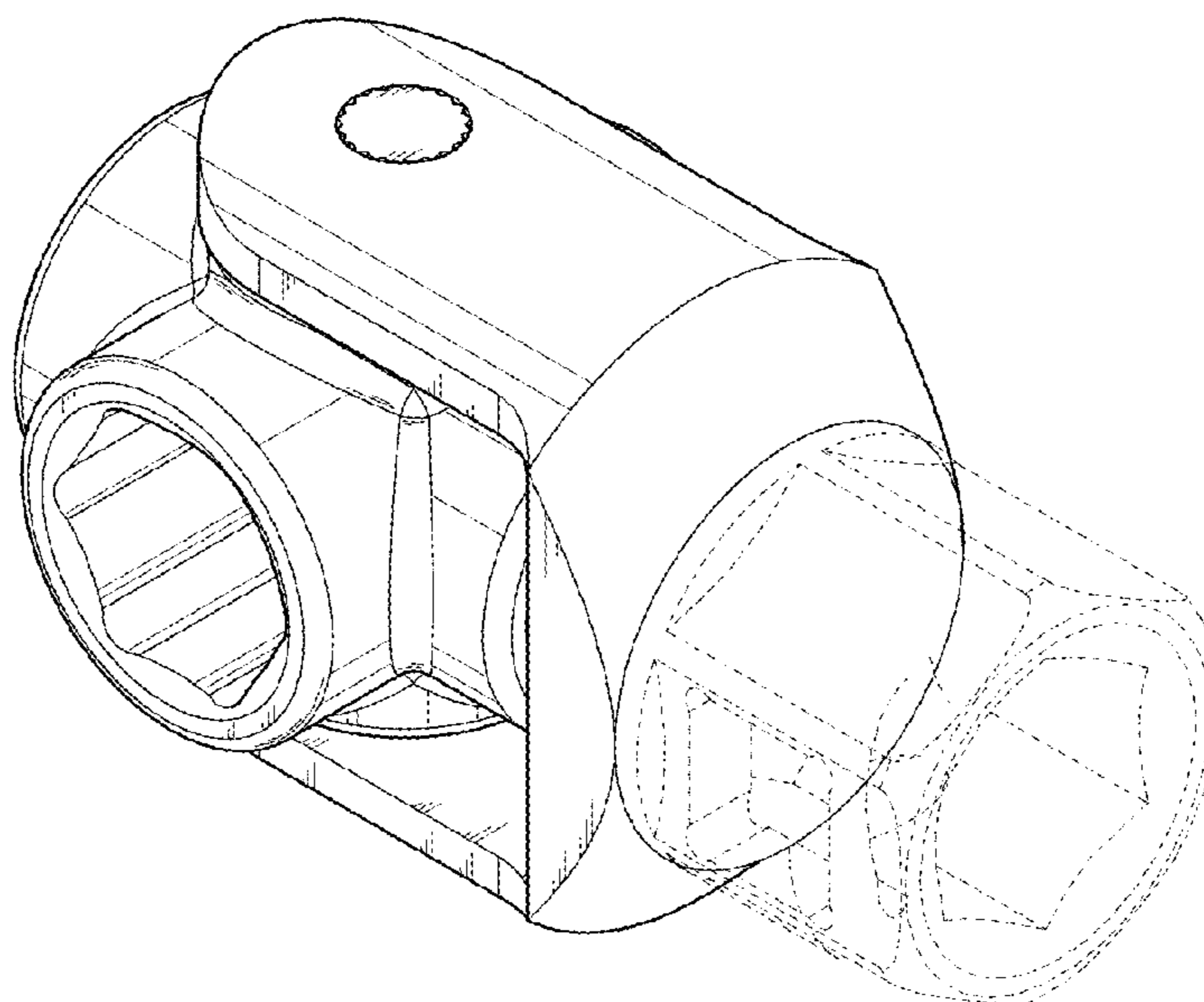


FIG. 14