



US00D714606S

(12) **United States Design Patent**
Lee et al.

(10) **Patent No.:** **US D714,606 S**
(45) **Date of Patent:** **** Oct. 7, 2014**

(54) **SOCKET**

(71) Applicants: **An Kun Lee**, Taichung (TW); **Shu Tuan Yang**, Taichung (TW); **Chiu Ken Lai**, Taichung (TW)

(72) Inventors: **An Kun Lee**, Taichung (TW); **Shu Tuan Yang**, Taichung (TW); **Chiu Ken Lai**, Taichung (TW)

(**) Term: **14 Years**

(21) Appl. No.: **29/444,913**

(22) Filed: **Feb. 5, 2013**

(51) **LOC (10) Cl.** **08-05**

(52) **U.S. Cl.**
USPC **D8/29**

(58) **Field of Classification Search**
USPC D8/21-29; 81/60, 177.1, 177.85, 121.1, 81/124.3, 165-170, 110.1, 176.2, 124.6, 81/176.1, 176.15, 177.2, 186, 125, 119, 81/180.1, 185.02; 16/110.1; D15/144.1; 219/75, 227, 229, 121.16, 121.18; 220/228, 260

See application file for complete search history.

(56) **References Cited**

U.S. PATENT DOCUMENTS

2,697,370	A	*	12/1954	Brooks	81/58
D398,823	S	*	9/1998	Hsieh	D8/29
D425,770	S	*	5/2000	Hsieh	D8/29
D442,837	S	*	5/2001	Porras	D8/29
6,253,648	B1	*	7/2001	Beery	81/121.1
D506,908	S	*	7/2005	Hsien	D8/29
D567,604	S	*	4/2008	Yu	D8/29
D649,417	S	*	11/2011	Gresham et al.	D8/29

* cited by examiner

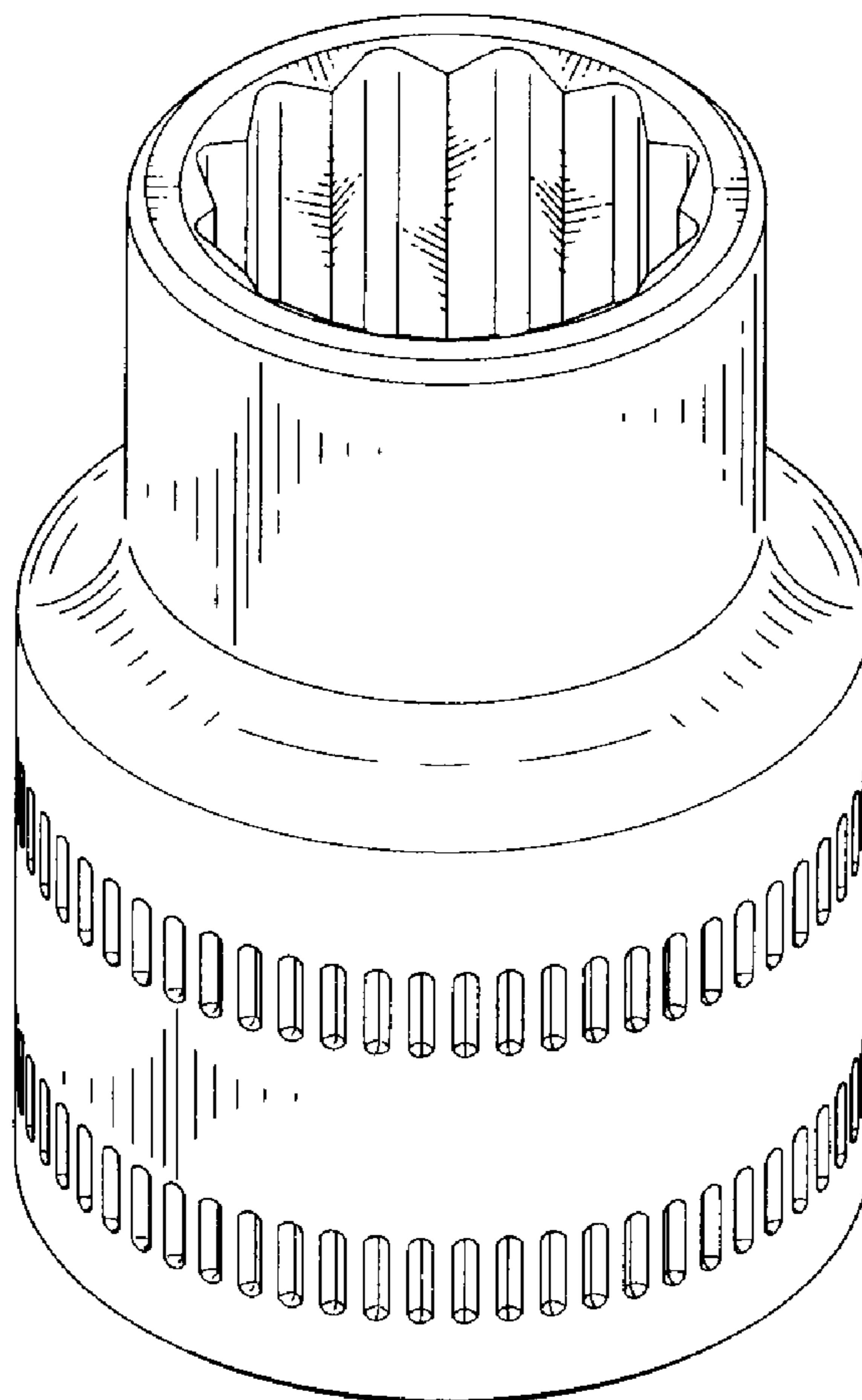
Primary Examiner — Randall Gholson

(57) **CLAIM**
The ornamental design for a socket, as shown and described.

DESCRIPTION

FIG. 1 is a perspective view of the socket showing my new design;
FIG. 2 is a front elevational view thereof;
FIG. 3 is a rear front elevational view thereof;
FIG. 4 is a left side elevational view thereof; and,
FIG. 5 is a right side elevational view thereof.

1 Claim, 2 Drawing Sheets



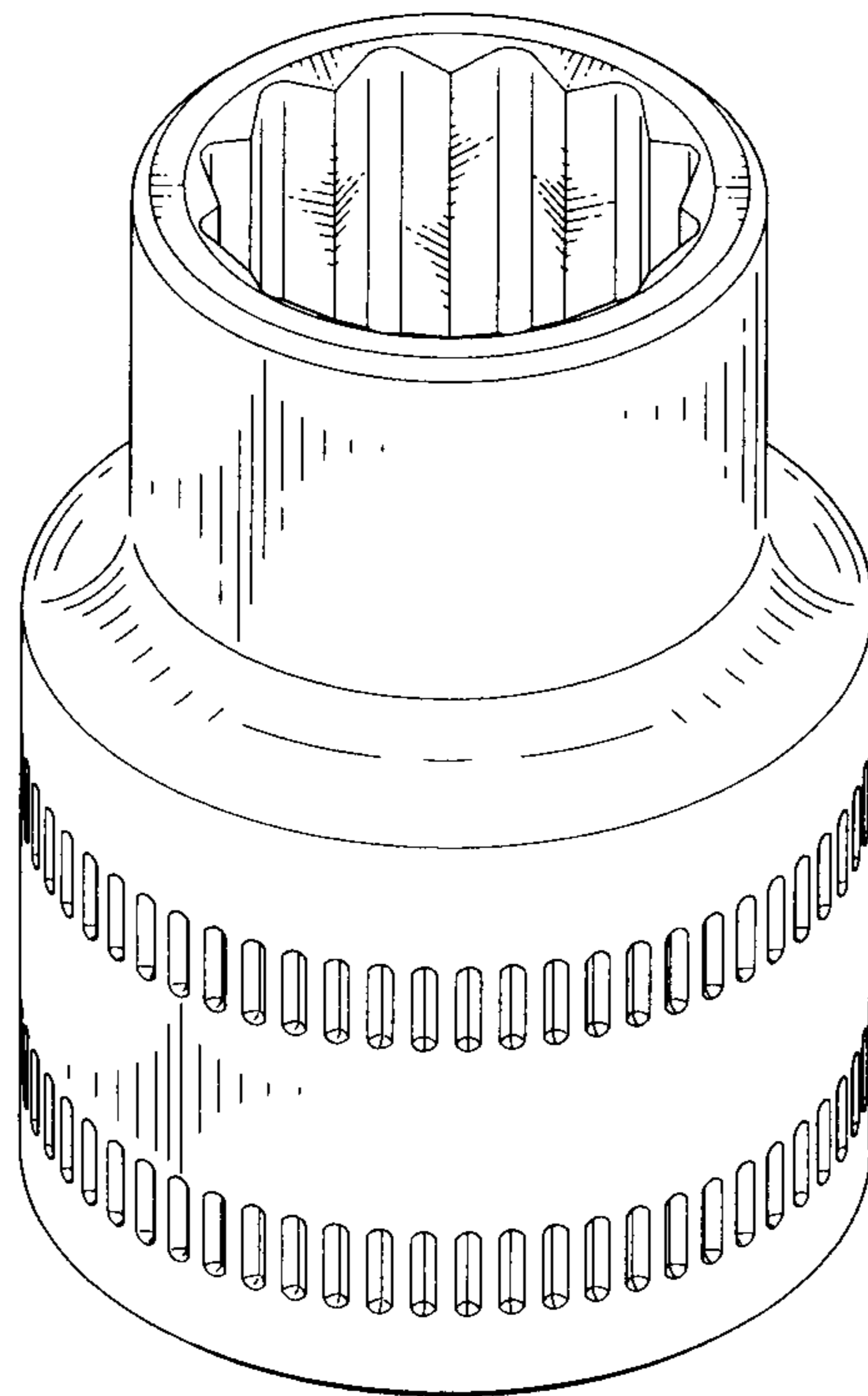


FIG. 1

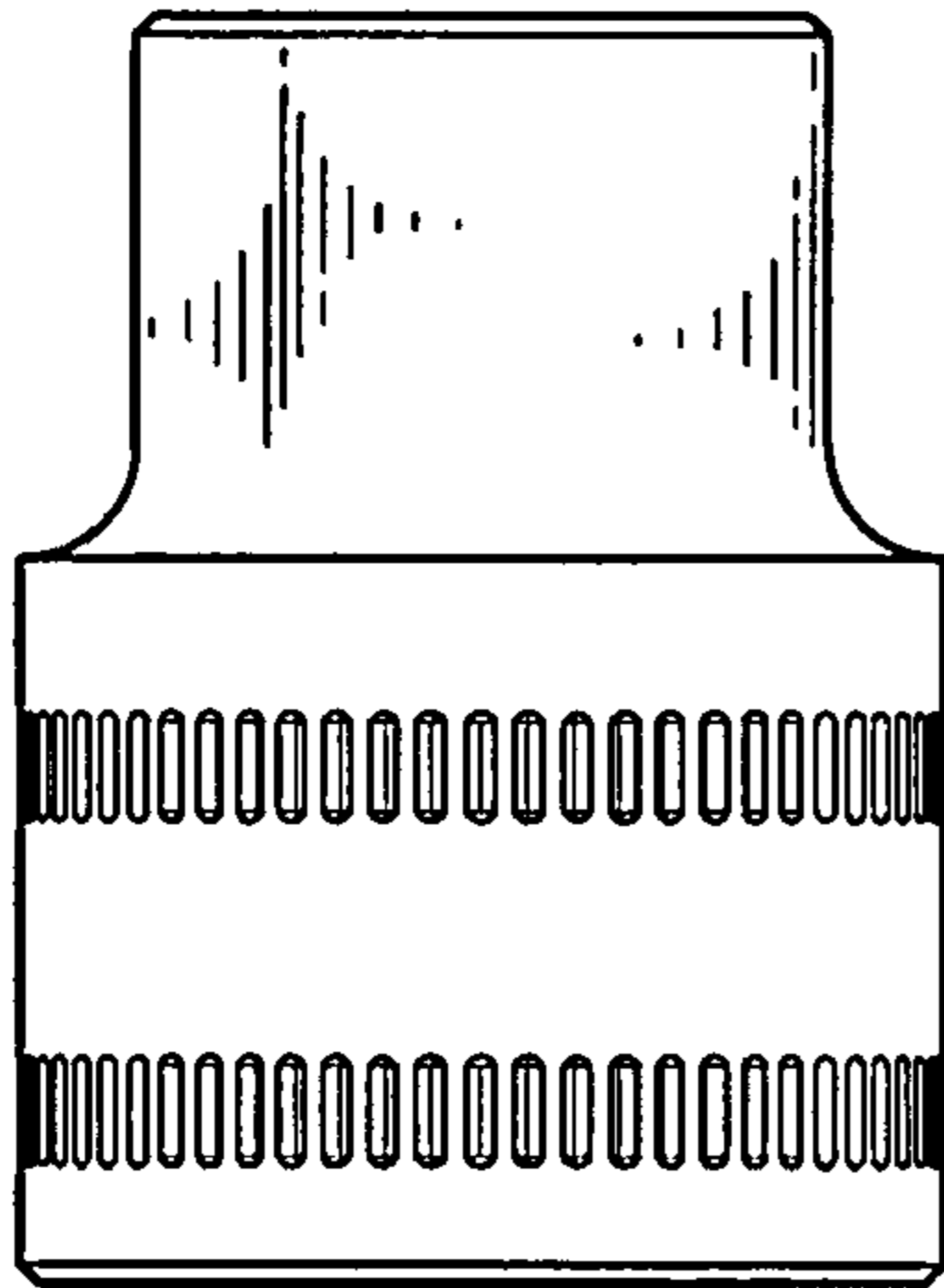


FIG. 2

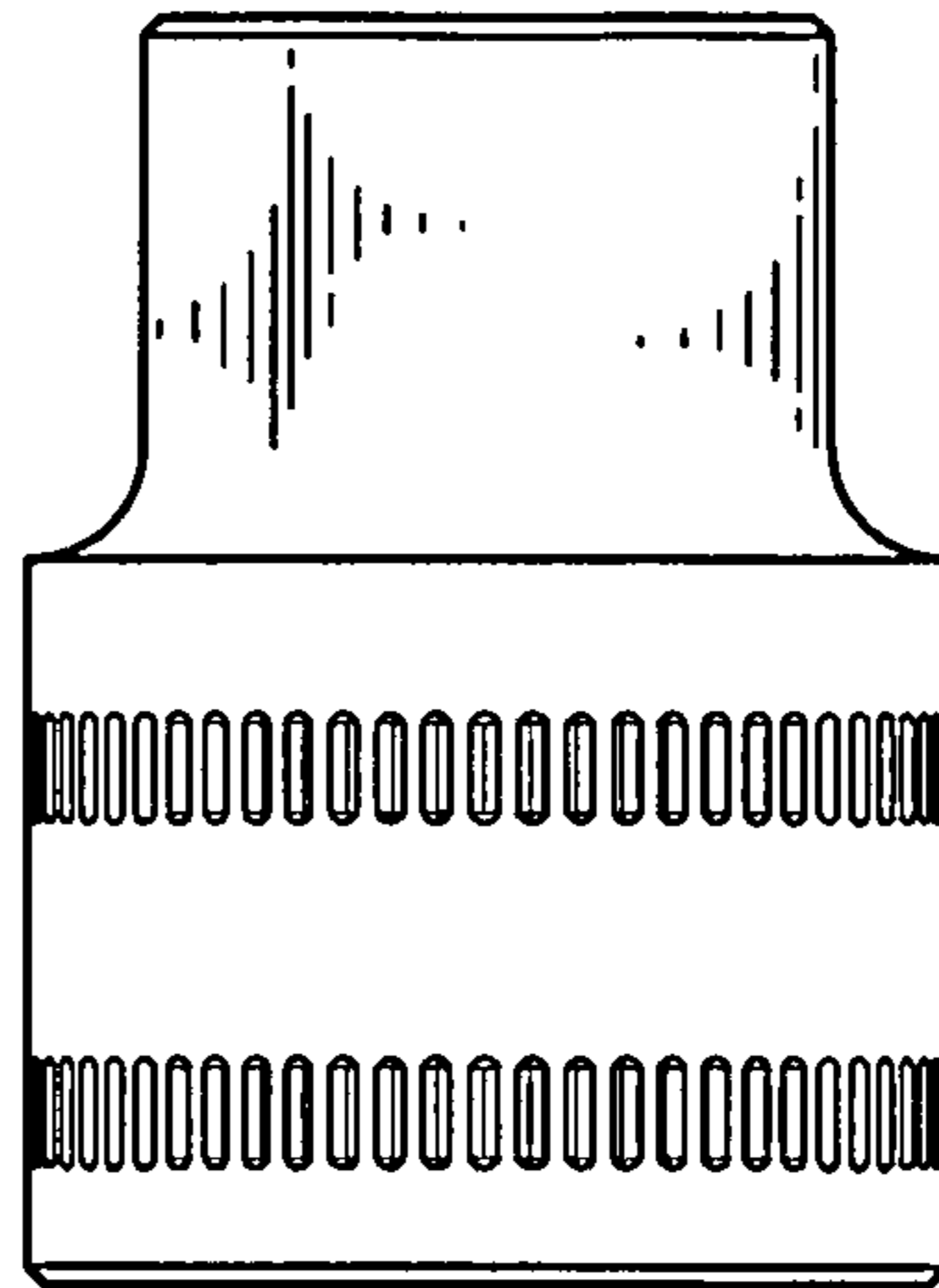


FIG. 3

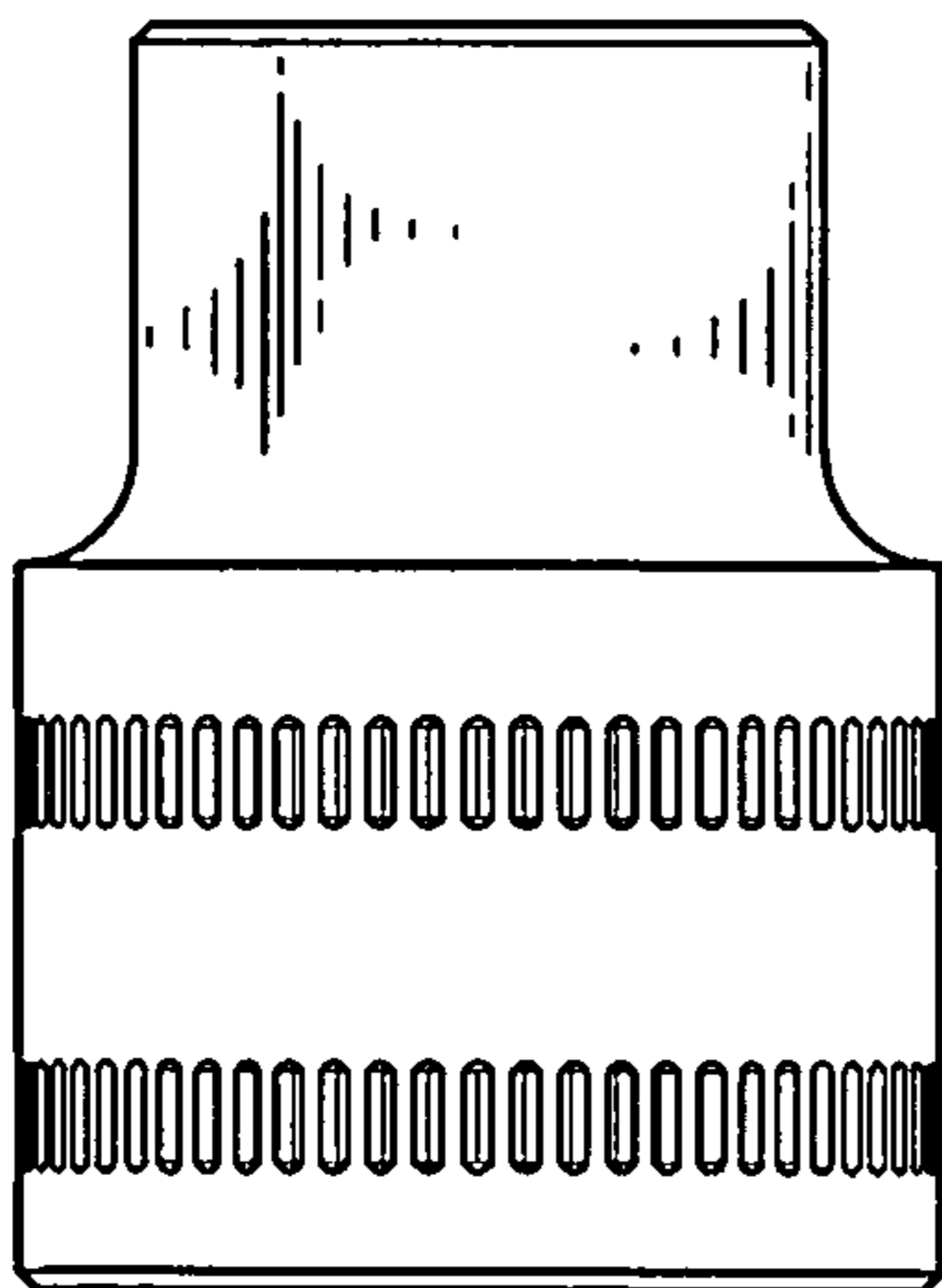


FIG. 4

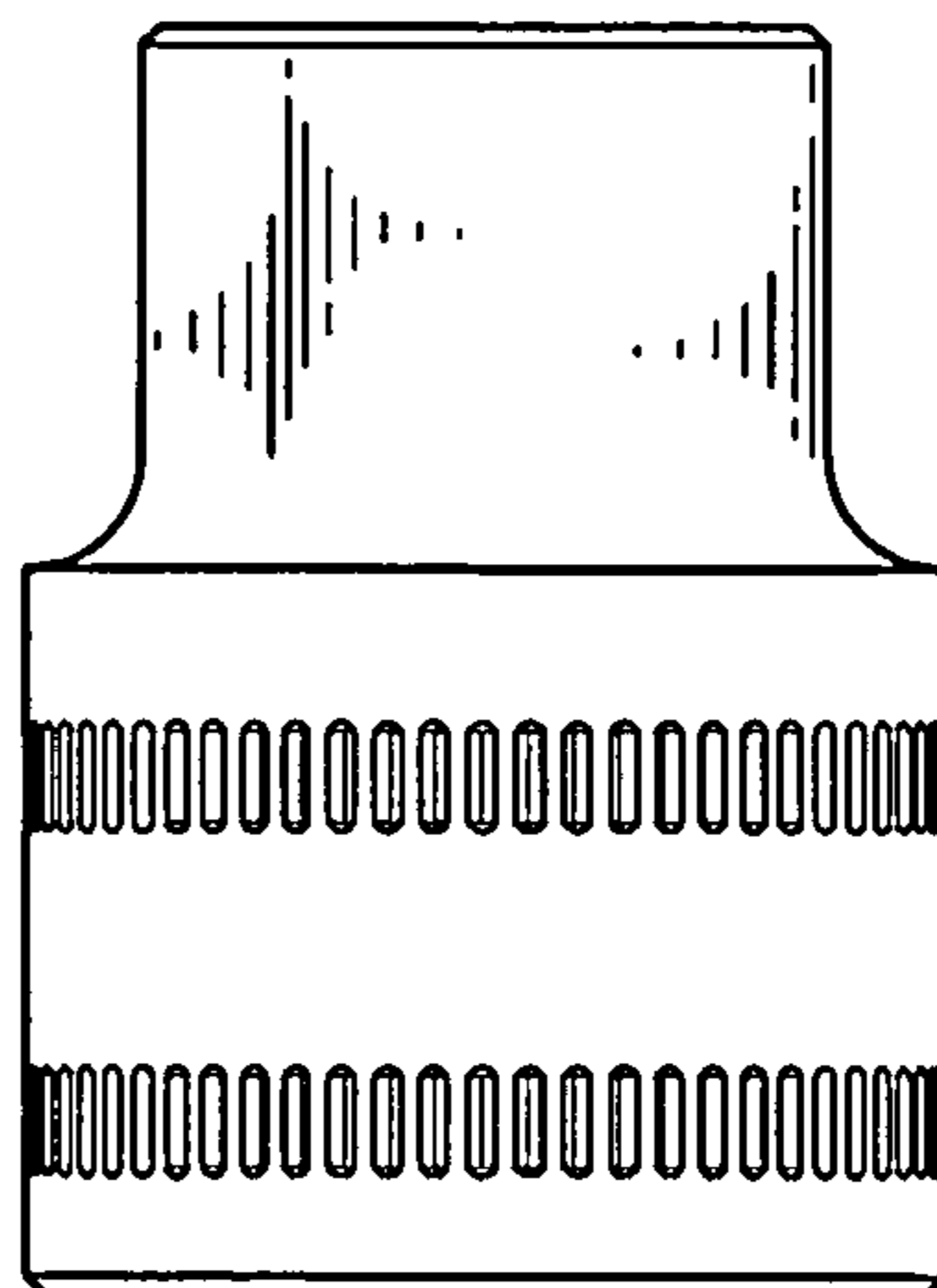


FIG. 5