



US00D714605S

(12) **United States Design Patent**
Wei

(10) **Patent No.:** **US D714,605 S**
(45) **Date of Patent:** **** Oct. 7, 2014**

(54) **SWINGABLE RATCHET WHEEL**
(71) Applicant: **Hung-Yin Wei**, Taichung (TW)
(72) Inventor: **Hung-Yin Wei**, Taichung (TW)
(**) Term: **14 Years**
(21) Appl. No.: **29/478,016**
(22) Filed: **Dec. 30, 2013**
(51) **LOC (10) Cl.** **08-05**
(52) **U.S. Cl.**
USPC **D8/25**
(58) **Field of Classification Search**
USPC D8/21-29, 81-87, 102-107, 98, 99, 55,
D8/93, 94; 81/60-63.2, 177.1, 177.85,
81/177.8, 489, 125.1, 121.1, 119, 120,
81/176.1, 186, 177.9, 185.1, 176.2, 165,
81/170, 3.35, 58, 3.45, 155, 57.29;
206/378; 16/429, 441, 124.6, 22;
7/100, 138, 168; 192/43, 43.1, 46
See application file for complete search history.

6,575,060	B1 *	6/2003	Tseng et al.	81/63.2
6,644,148	B2 *	11/2003	Hu	81/63.2
6,712,484	B2 *	3/2004	Hsien	81/60
D498,775	S *	11/2004	Hu	D15/148
D498,778	S *	11/2004	Hu	D15/148
7,004,052	B1 *	2/2006	Shu-Sui et al.	81/63
7,032,478	B2 *	4/2006	Hu	81/63.2
7,121,170	B2 *	10/2006	Shen	81/63.2
7,146,881	B2 *	12/2006	Chang	81/62
7,328,633	B2 *	2/2008	Lin	81/63.1
D665,237	S *	8/2012	Wei	D8/21
D675,894	S *	2/2013	Chen	D8/25
D678,739	S *	3/2013	Wei	D8/21

* cited by examiner

Primary Examiner — Randall Gholson
(74) *Attorney, Agent, or Firm* — Muncy, Geissler, Olds & Lowe, P.C.

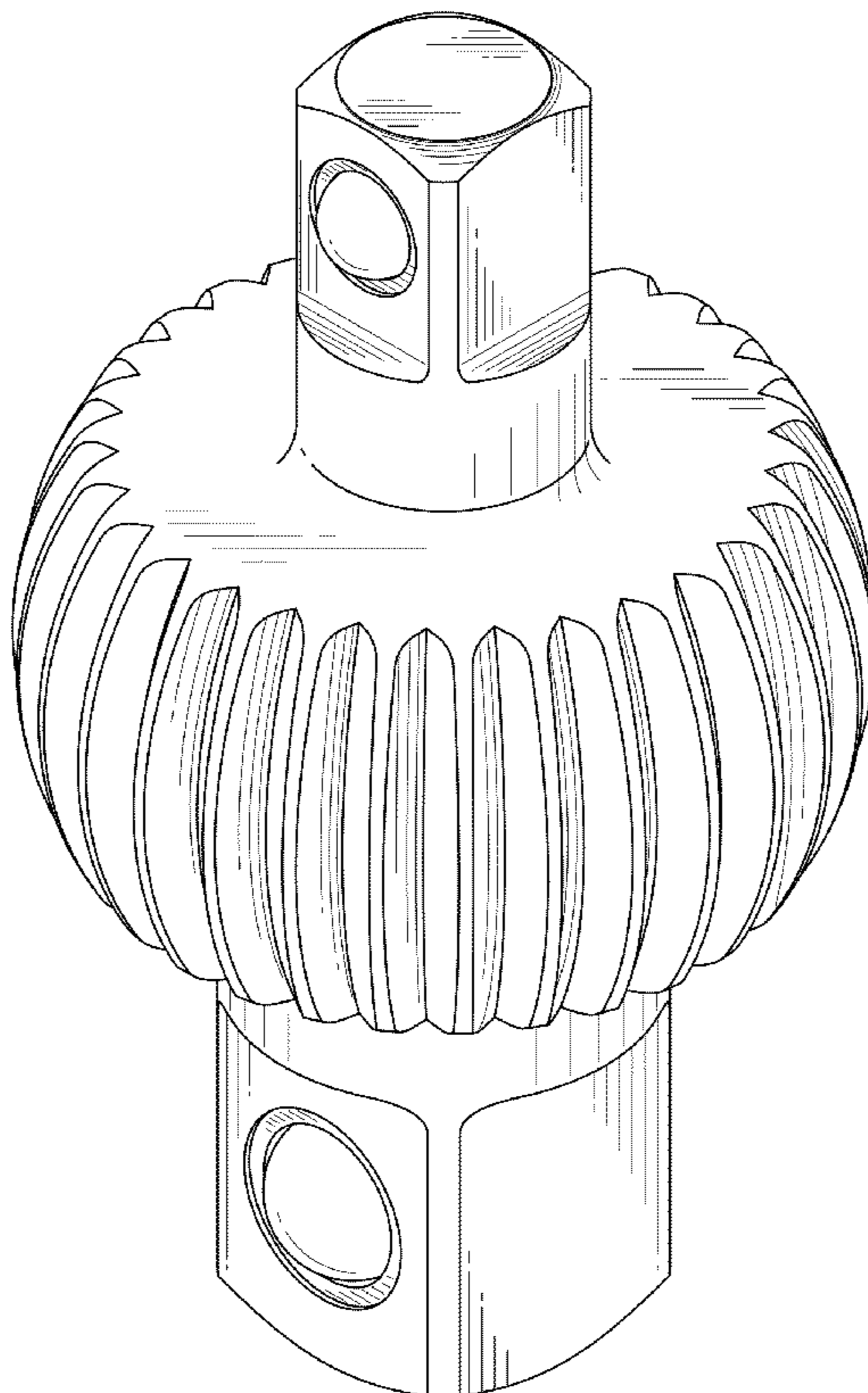
(57) **CLAIM**
The ornamental design for a swingable ratchet wheel, as shown and described.

DESCRIPTION

FIG. 1 is a perspective view of a swingable ratchet wheel showing my new design;
FIG. 2 is a front elevational view thereof;
FIG. 3 is a rear elevational view thereof;
FIG. 4 is a left side view thereof;
FIG. 5 is a right side view thereof;
FIG. 6 is a top plan view thereof; and,
FIG. 7 is a bottom plan view thereof.

1 Claim, 7 Drawing Sheets

(56) **References Cited**
U.S. PATENT DOCUMENTS
4,862,775 A * 9/1989 Chow 81/63.2
5,471,898 A * 12/1995 Forman 81/57.29
6,148,695 A * 11/2000 Hu 81/60
6,301,998 B1 * 10/2001 Hu 81/60
6,516,930 B2 * 2/2003 Chen 192/43.2



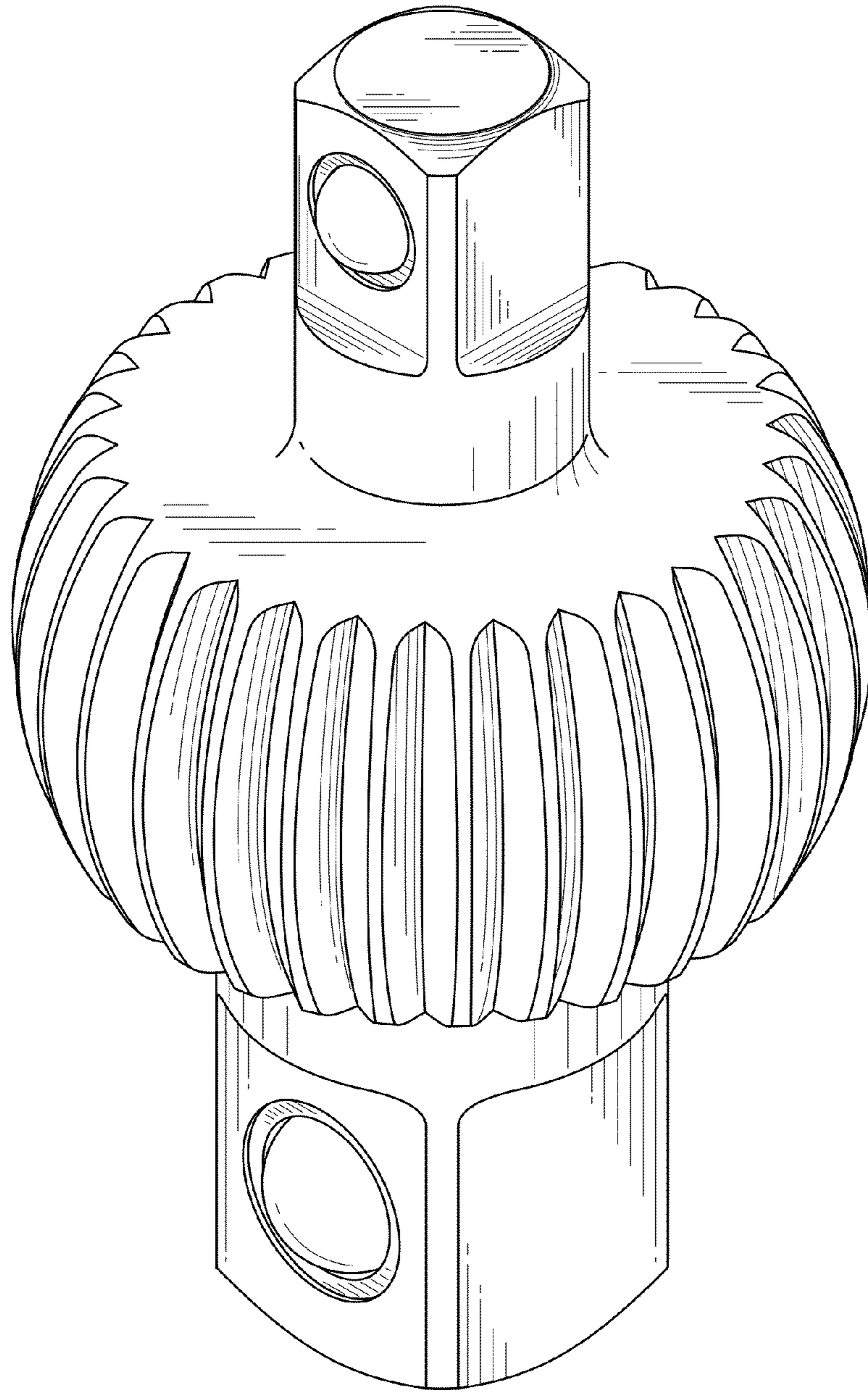


FIG. 1

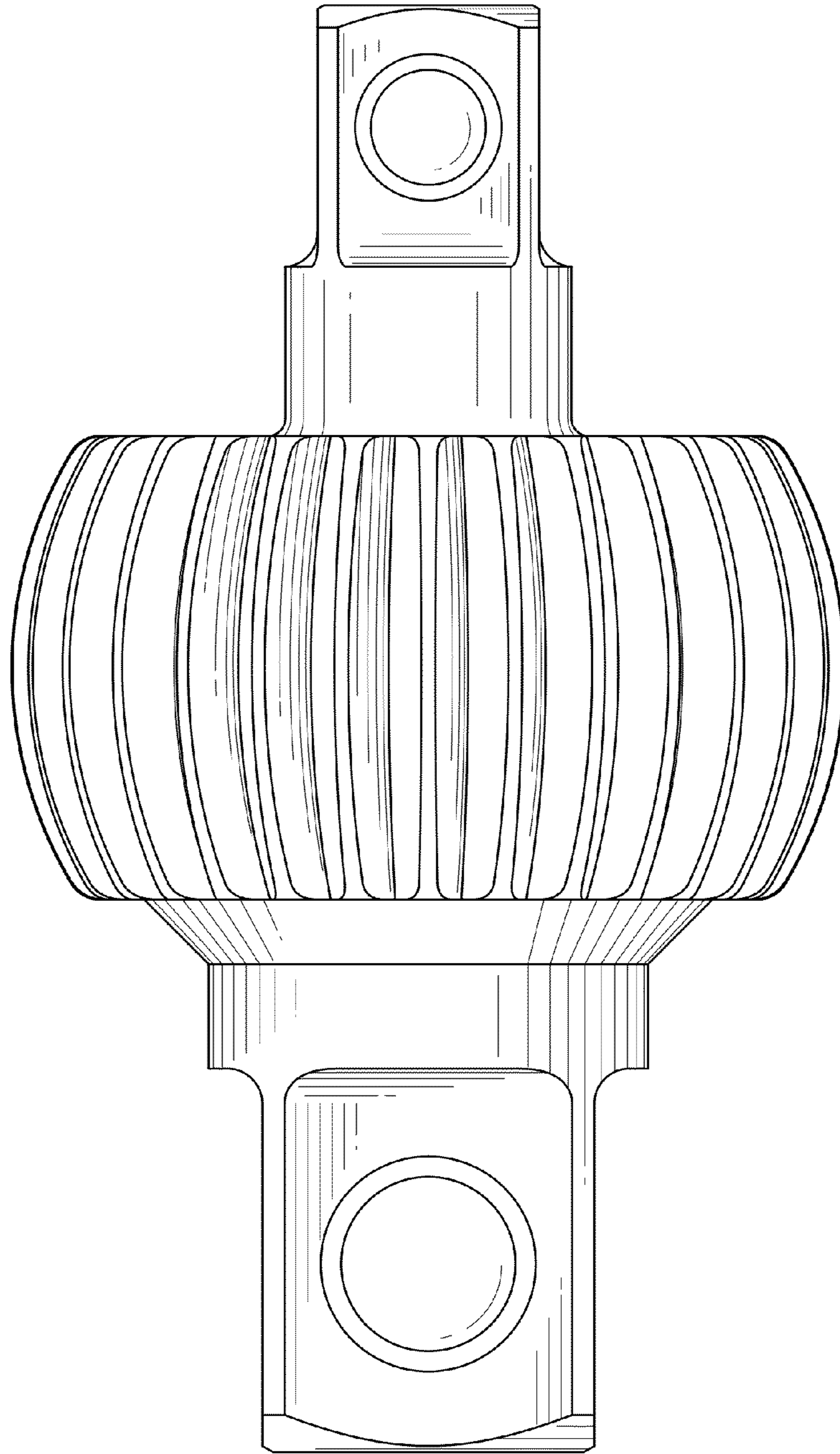


FIG. 2

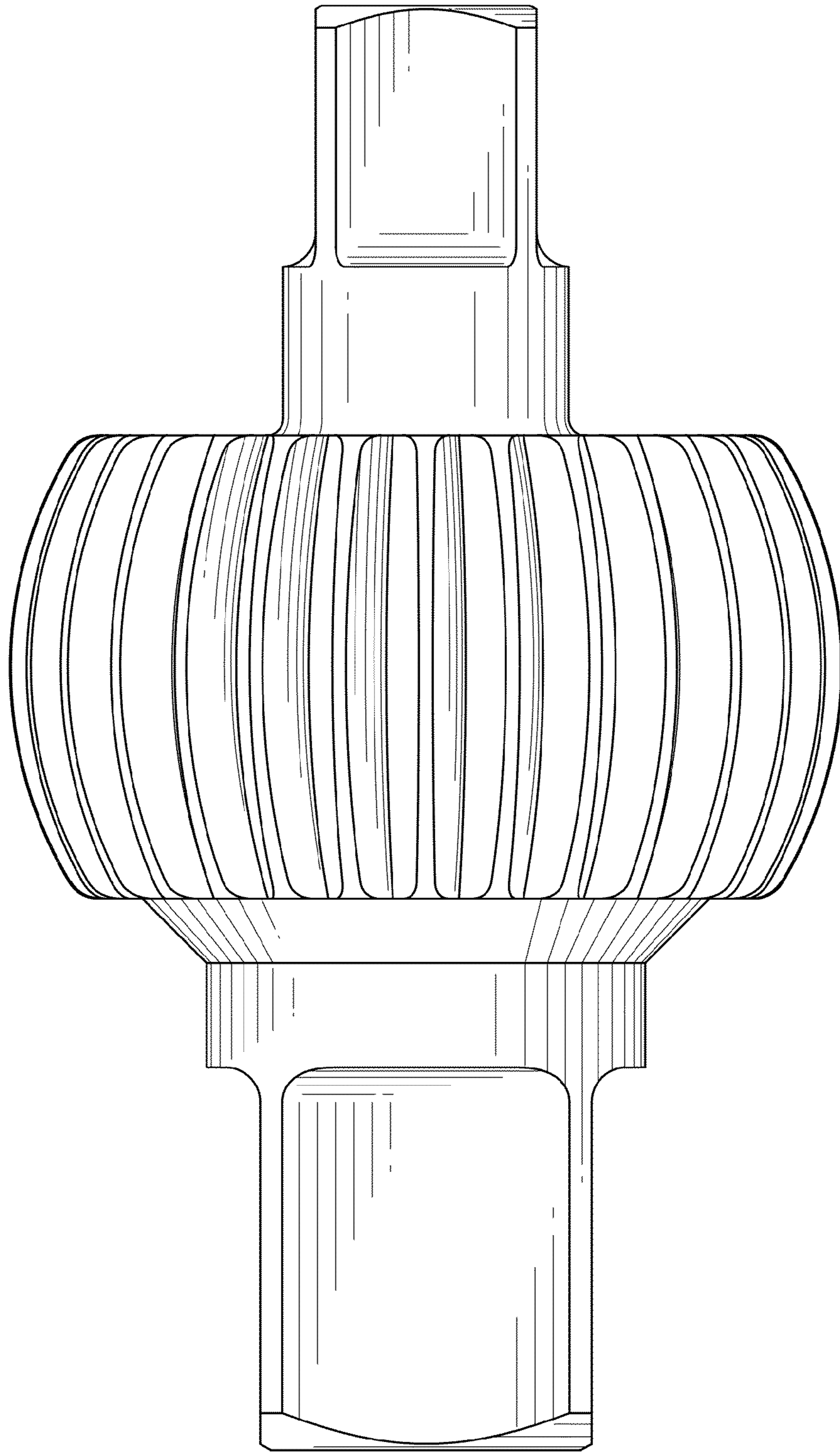


FIG. 3

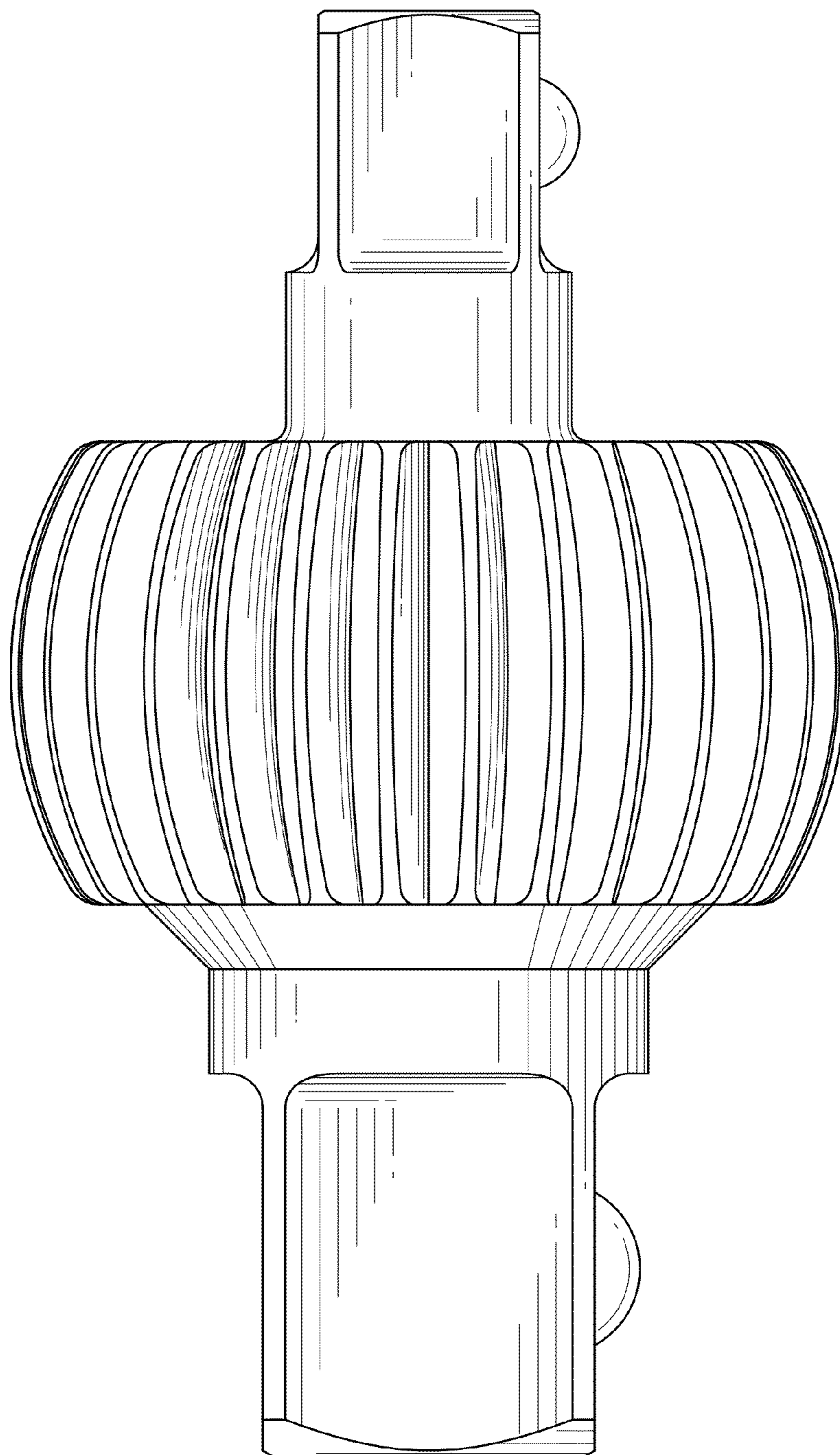


FIG. 4

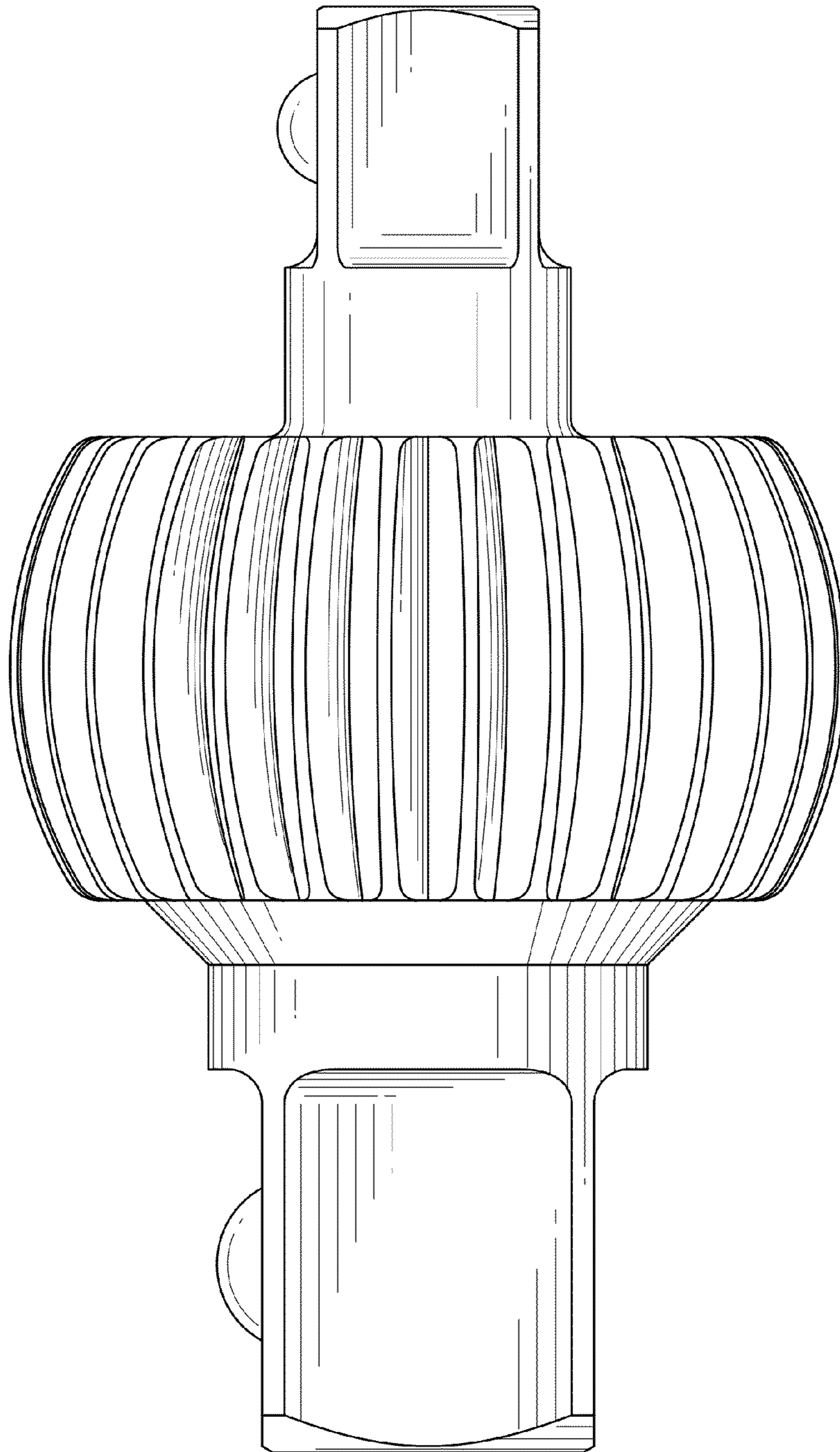


FIG. 5

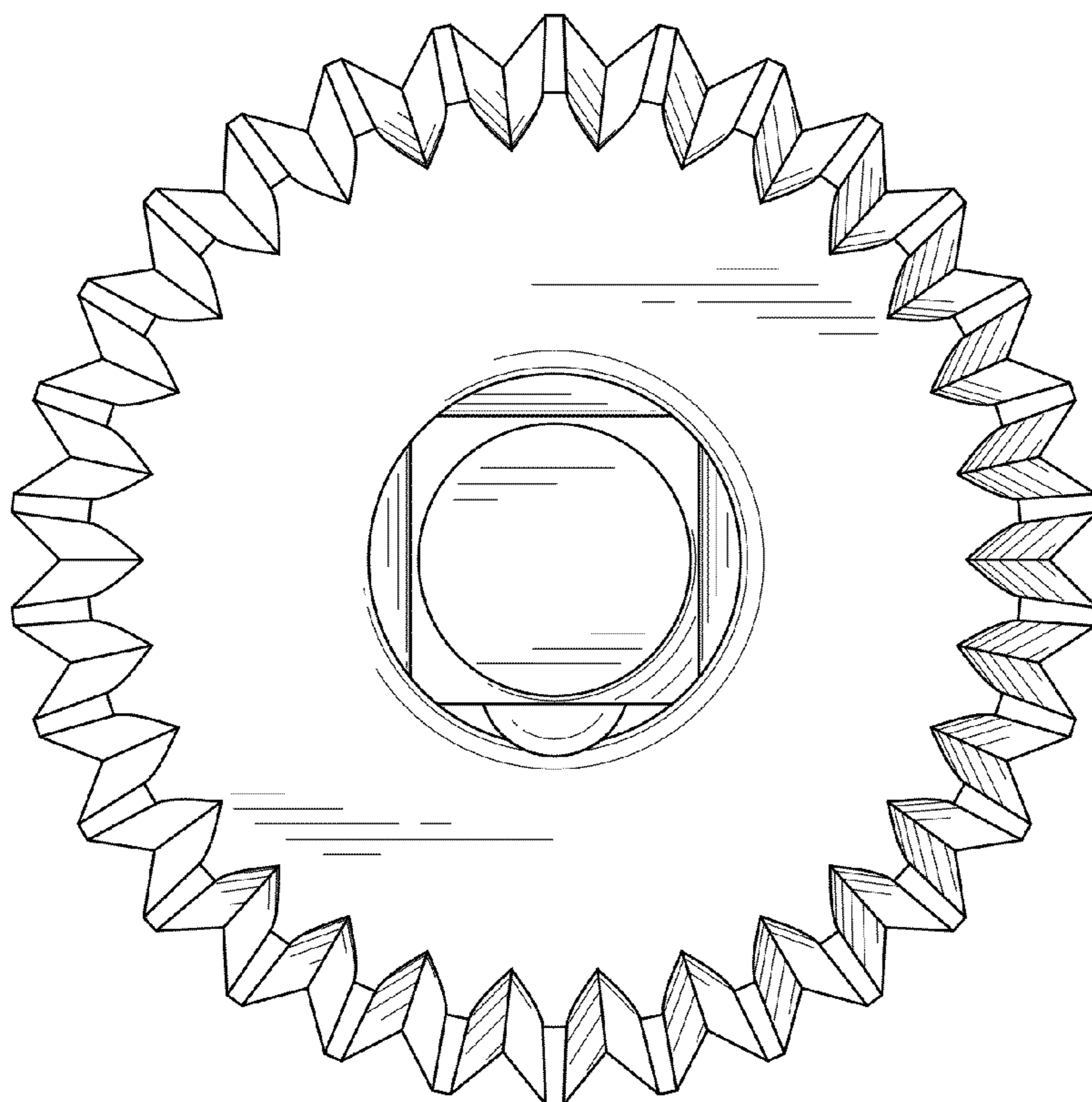


FIG. 6

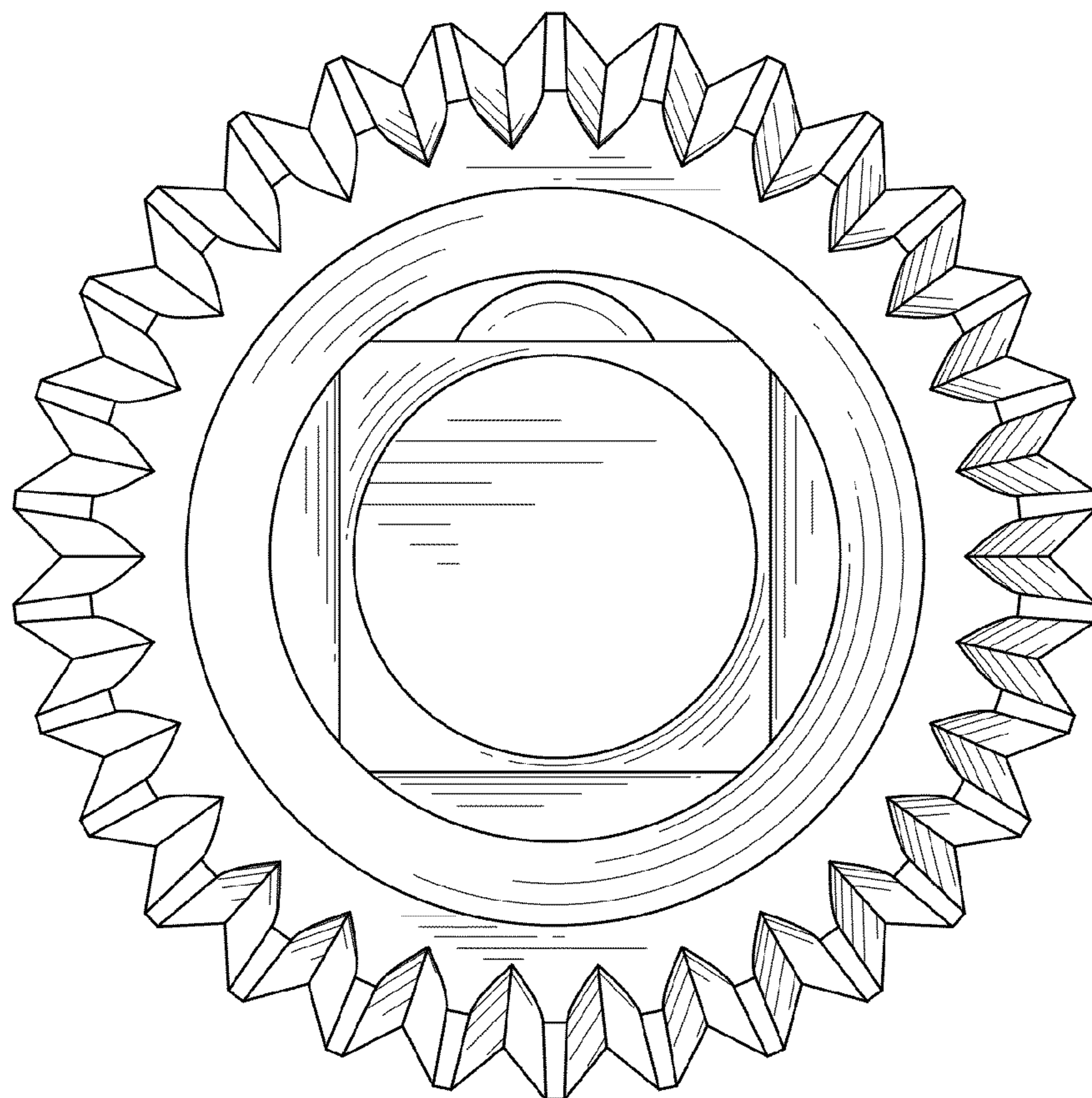


FIG. 7