



US00D714601S

(12) **United States Design Patent**
Yang

(10) **Patent No.:** **US D714,601 S**
(45) **Date of Patent:** **** Oct. 7, 2014**

(54) **GEAR HOLDER**

(71) Applicant: **Jen-Yung Yang**, Taichung (TW)

(72) Inventor: **Jen-Yung Yang**, Taichung (TW)

(**) Term: **14 Years**

(21) Appl. No.: **29/435,976**

(22) Filed: **Oct. 31, 2012**

(51) **LOC (10) Cl.** **08-05**

(52) **U.S. Cl.**
USPC **D8/14**

(58) **Field of Classification Search**

CPC .. B25B 9/00; B25B 23/0085; B25B 27/0035;
B25B 3/00; B25B 5/101; B25B 5/14; B25B
13/48; B25B 13/12; B25B 13/14; B25B
13/08; B65G 7/12; B01F 13/002
USPC D8/14, 22, 27, 28, 107, 354, 394;
81/60, 145, 159, 160, 165, 167, 176.3,
81/177.2

See application file for complete search history.

(56) **References Cited**

U.S. PATENT DOCUMENTS

3,175,436 A * 3/1965 Coleman 81/177.1
5,791,704 A * 8/1998 Thompson et al. 294/17
D405,668 S * 2/1999 Henke D8/34
D464,239 S * 10/2002 Hamlin D8/27
D483,238 S * 12/2003 Hsieh D8/22
D489,234 S * 5/2004 Pyper et al. D8/27
6,978,703 B2 * 12/2005 Whitehead et al. 81/176.3

7,040,199 B2 * 5/2006 Gregory 81/159
D573,861 S * 7/2008 Hammer et al. D8/72
D622,395 S * 8/2010 Iott et al. D24/171
8,307,744 B2 * 11/2012 Lanfear et al. 81/462
2006/0243103 A1 * 11/2006 Engvall et al. 81/413
2014/0000421 A1 * 1/2014 Chen 81/487
2014/0007445 A1 * 1/2014 Yang 33/811

* cited by examiner

Primary Examiner — Eric Goodman

Assistant Examiner — Jennifer Watkins

(74) *Attorney, Agent, or Firm* — Guice Patents PLLC

(57) **CLAIM**

The ornamental design for gear holder, shown and described.

DESCRIPTION

FIG. 1 is a perspective view showing the front, left side and top of my new design for a gear holder.

FIG. 2 is a top view thereof;

FIG. 3 is a bottom view thereof;

FIG. 4 is a left view thereof;

FIG. 5 is a right view thereof;

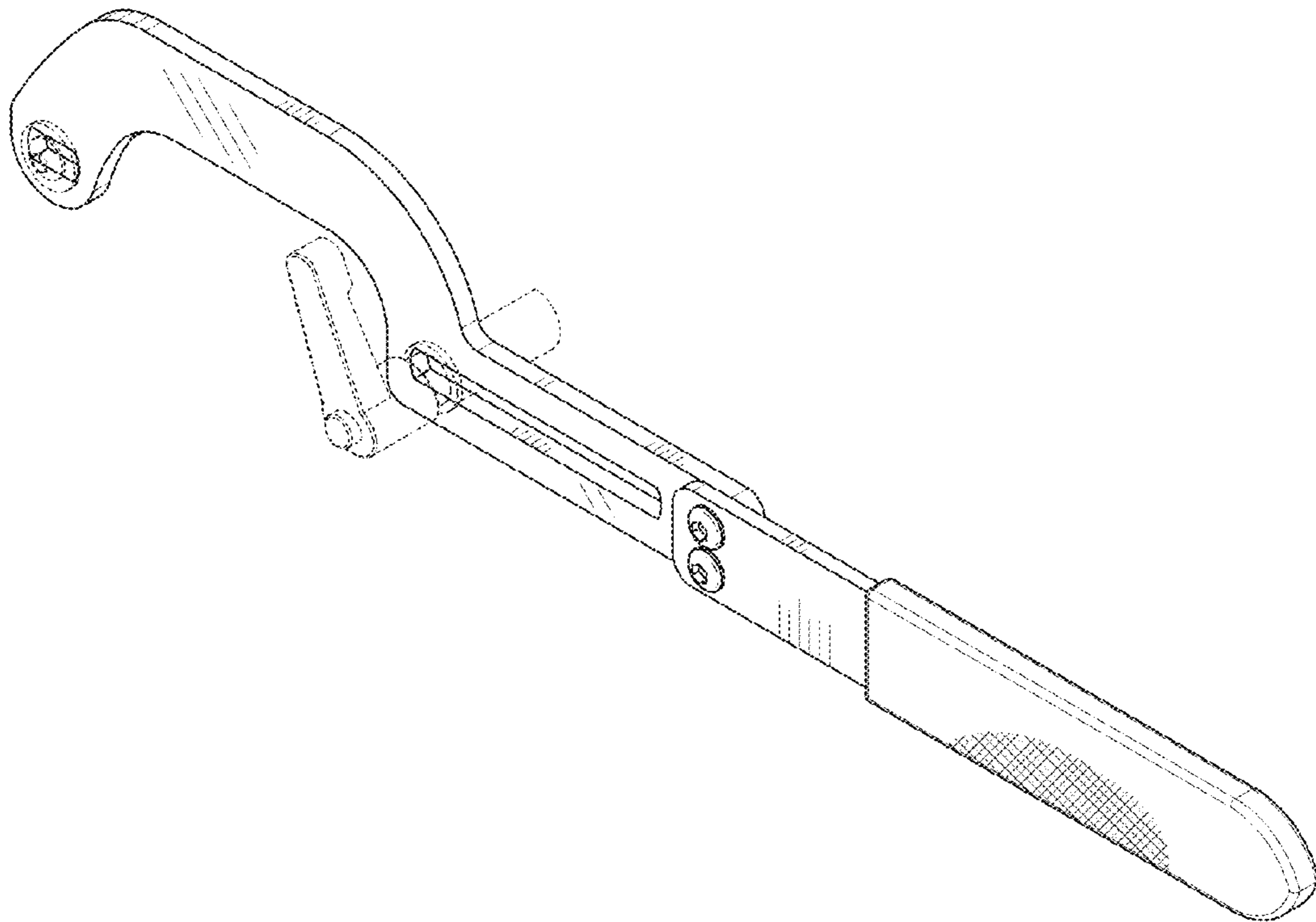
FIG. 6 is a rear view thereof;

FIG. 7 is a front view thereof; and,

FIG. 8 is a perspective view showing the using reference.

The broken line showing of a gear holder is for the purpose of illustrating portions of the article and forms no part of the claimed design. Additionally, the broken line in FIG. 8 is for the purpose of illustrating environment that forms no part of the claimed design.

1 Claim, 5 Drawing Sheets



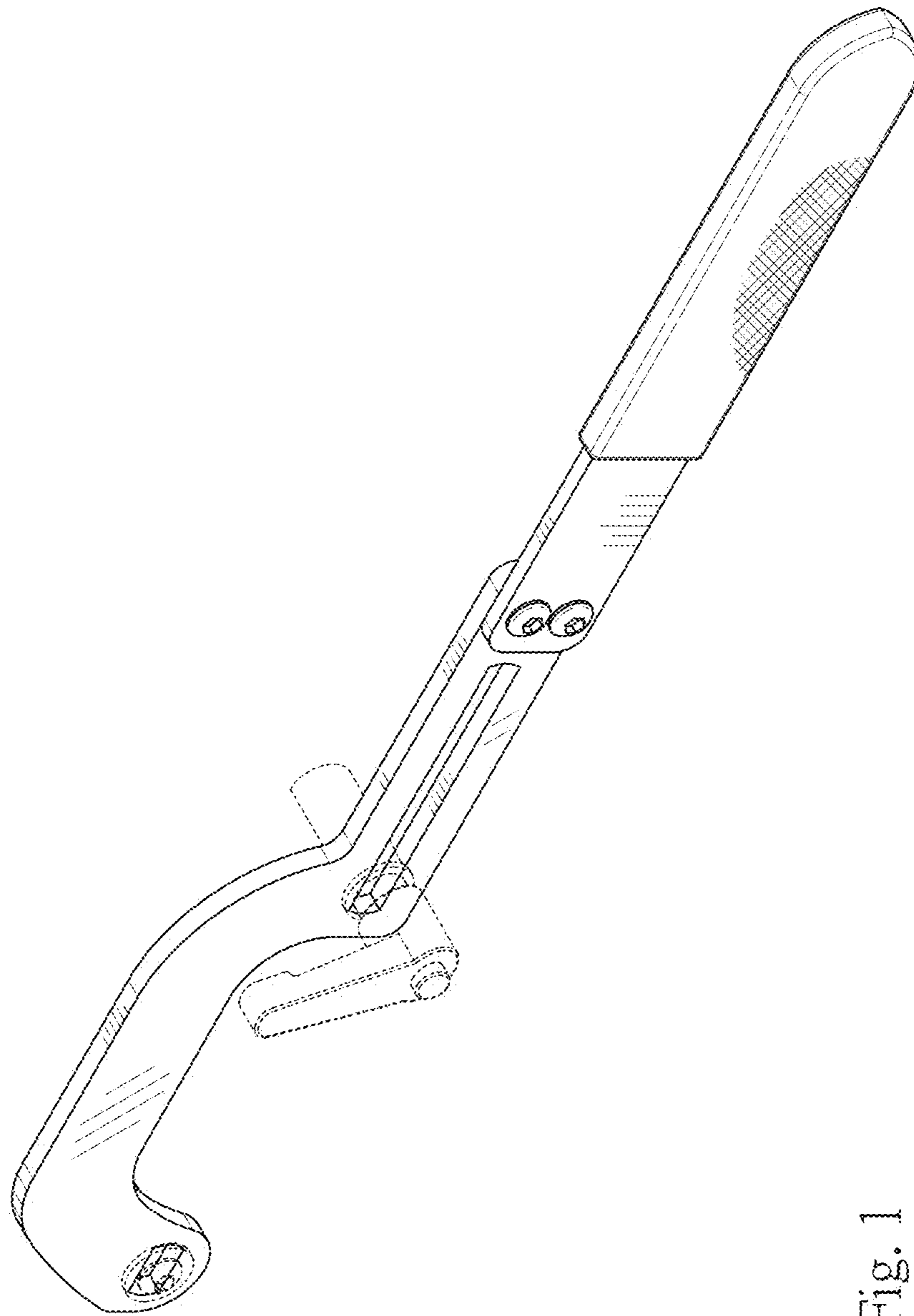


Fig. 1

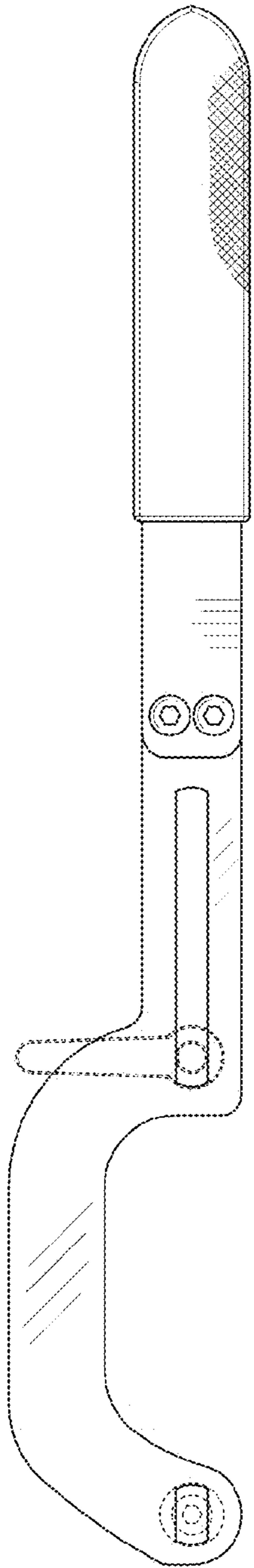


Fig. 2

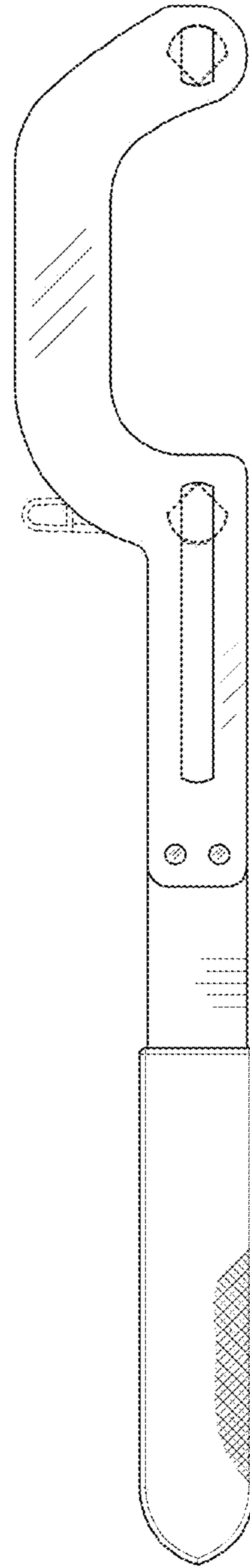


Fig. 3

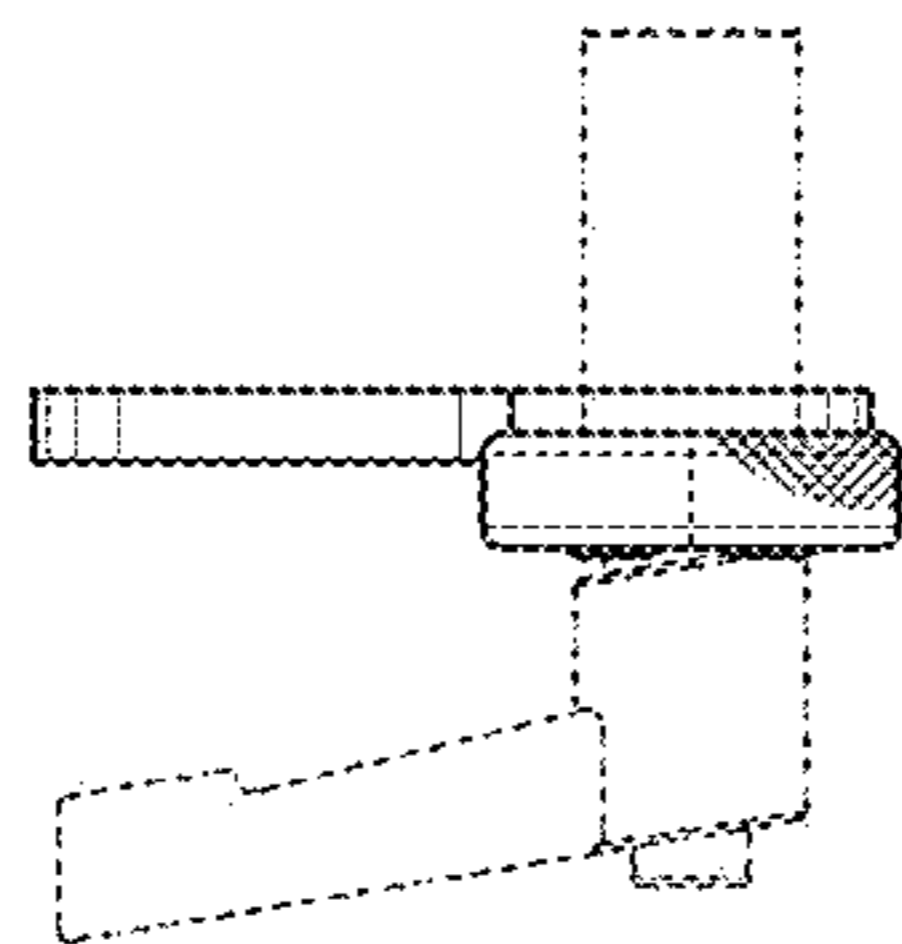


Fig. 5

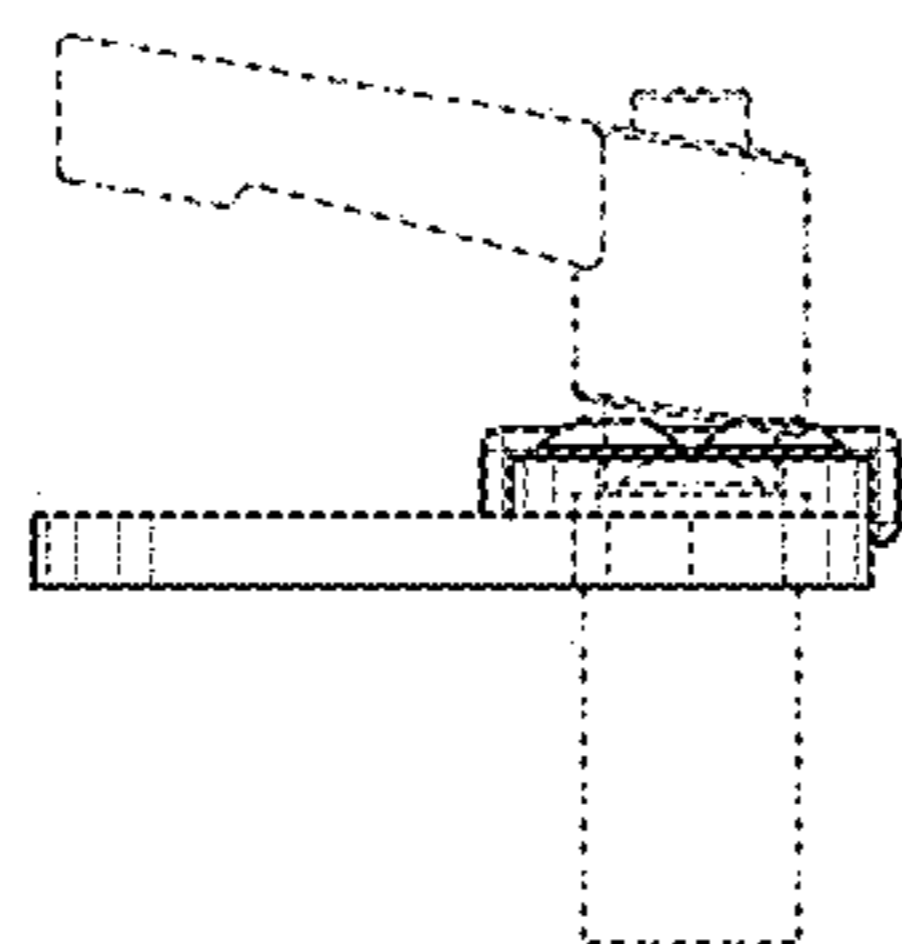


Fig. 4

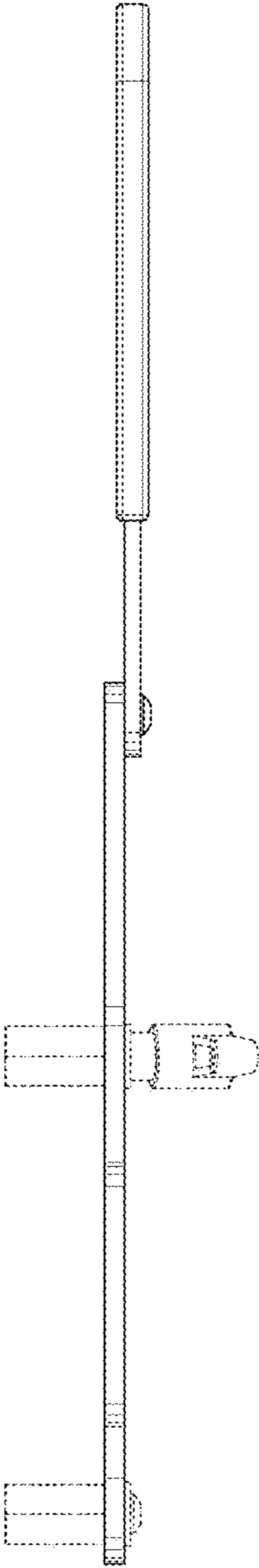


Fig. 6

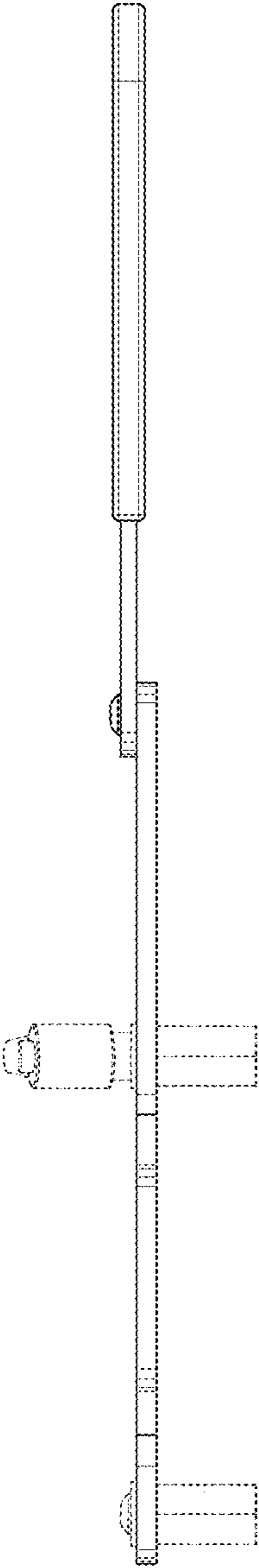


Fig. 7

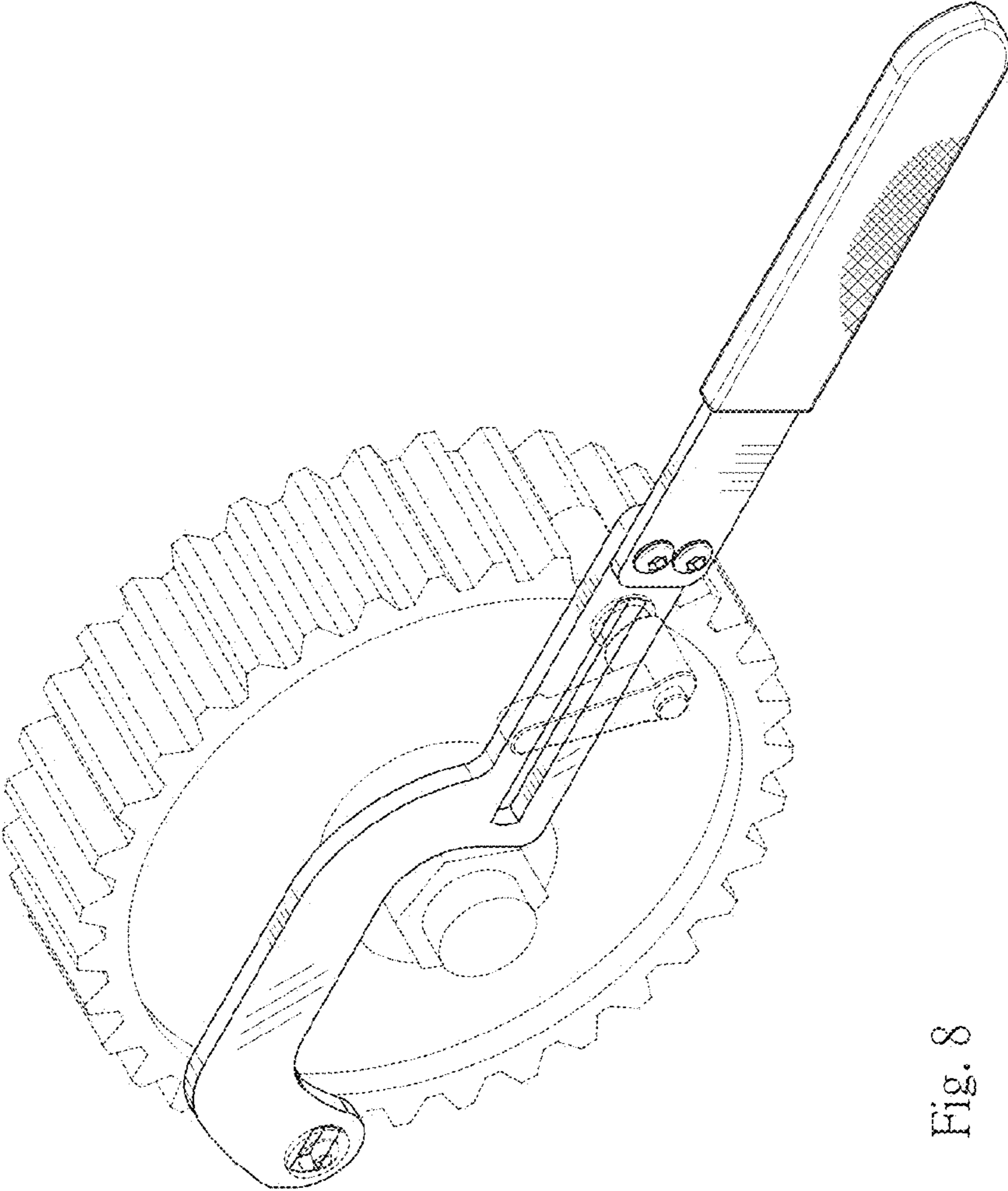


Fig. 8