



US00D714596S

(12) **United States Design Patent**  
**Forno**

(10) **Patent No.:** **US D714,596 S**

(45) **Date of Patent:** **\*\* Oct. 7, 2014**

(54) **RAISED GARDEN BED**

(75) Inventor: **Kevin Forno**, Acacia Ridge (AU)

(73) Assignee: **Scholtes Family Holdings Pty Ltd**,  
Acacia Ridge (AU)

(\*\*) Term: **14 Years**

(21) Appl. No.: **29/416,090**

(22) Filed: **Mar. 19, 2012**

(30) **Foreign Application Priority Data**

Oct. 10, 2011 (AU) ..... 14577/2011

(51) **LOC (10) Cl.** ..... **08-01**

(52) **U.S. Cl.**  
USPC ..... **D8/1**

(58) **Field of Classification Search**  
USPC ..... D8/1; 47/33, 19.1; 52/271; 405/284;  
D25/35, 38.1; D11/155  
See application file for complete search history.

(56) **References Cited**

**U.S. PATENT DOCUMENTS**

2,388,297	A	11/1945	Slaughter	
3,891,335	A	6/1975	Feil	
D253,805	S *	1/1980	Klick	D34/6
4,267,223	A	5/1981	Swartz	
4,373,570	A *	2/1983	Nussdorf et al.	160/352
4,712,942	A	12/1987	Brown	
D338,812	S *	8/1993	Scott et al.	D8/1
D343,509	S *	1/1994	Scott et al.	D8/1
D346,726	S *	5/1994	Scott et al.	D8/1
D352,871	S *	11/1994	Miller et al.	D8/1
5,400,544	A *	3/1995	Wien	47/33
D366,191	S *	1/1996	Gay	D8/1
5,520,477	A	5/1996	Fink	
5,702,090	A	12/1997	Edgman	
5,836,108	A	11/1998	Scheuer	
D402,229	S *	12/1998	Christensen	D11/155
D410,289	S *	5/1999	Howard et al.	D25/38.1
6,041,486	A	3/2000	Forbis	
6,293,523	B1	9/2001	Fendler	
D511,009	S *	10/2005	McGregor	D25/38.1

D543,639	S *	5/2007	Mertins	D25/38.1
7,303,358	B1	12/2007	Fuller	
7,533,488	B2 *	5/2009	Singer	47/19.1
D621,957	S *	8/2010	Lundh et al.	D25/48.5
D622,790	S *	8/2010	Brown	D21/698
7,966,766	B2 *	6/2011	Vogler et al.	47/19.1
D646,532	S *	10/2011	Burns	D8/1
8,033,759	B2 *	10/2011	Dauidsaver et al.	405/284
D647,767	S *	11/2011	Greenes et al.	D8/1
8,082,709	B2 *	12/2011	Roberts	52/284
8,596,926	B2 *	12/2013	Heselden	405/284
2006/0096224	A1	5/2006	Asbury	
2013/0328001	A1	12/2013	McCarthy et al.	
2014/0124722	A1	5/2014	Mann	

**FOREIGN PATENT DOCUMENTS**

FR 2684838 6/1993

**OTHER PUBLICATIONS**

Forno, Kevin, U.S. Appl. No. 13/411,209, filed Mar. 2, 2012.  
U.S. Patent and Trademark Office, U.S. Appl. No. 13/411,209 Office  
Action dated May 28, 2014, pp. 1-10.

\* cited by examiner

*Primary Examiner* — Sheryl Lane

(74) *Attorney, Agent, or Firm* — Matthew W. Witsil;  
Moore & Van Allen PLLC

(57) **CLAIM**

The ornamental design for a raised garden bed, as shown and described.

**DESCRIPTION**

FIG. 1 is a front perspective view of a raised garden bed in accordance with a first embodiment of my new design, with an opening therethrough defined by the sides of the raised garden bed, and with a rear perspective view being identical thereto;

FIG. 2 is a left side perspective view of the raised garden bed as shown in FIG. 1, with a right side perspective view being identical thereto;

FIG. 3 is a top view of the raised garden bed as shown in FIG. 1, the bottom view of which is an identical view thereto;

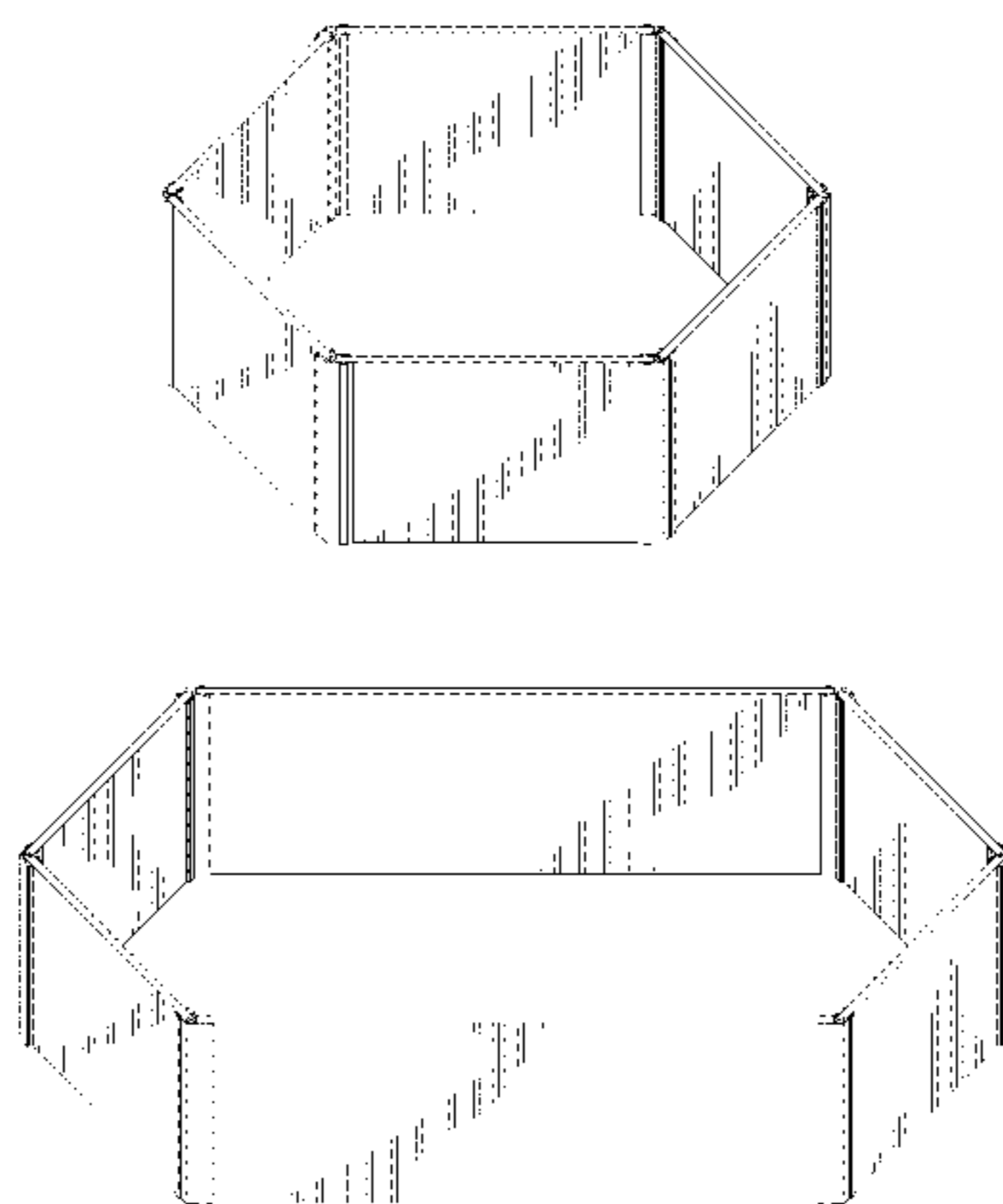


FIG. 4 is a front view of the raised garden bed as shown in FIG. 1, the rear view of which is an identical view thereto; FIG. 5 is a left side view of the raised garden bed as shown in FIG. 1, the right side view of which is an identical view thereto;

FIG. 6 is a perspective view of the raised garden bed as shown in FIG. 1, with another similar raised garden bed adjacent thereto in a first configuration shown in broken line; and

FIG. 7 is a perspective view of the raised garden bed as shown in FIG. 1, with another similar raised garden bed adjacent thereto in a second configuration shown in broken line.

FIG. 8 is a front perspective view of a raised garden bed in accordance with a second embodiment of my new design, with an opening therethrough defined by the sides of the raised garden bed, and with a rear perspective view being identical thereto;

FIG. 9 is a left side perspective view of the raised garden bed as shown in FIG. 8, with a right side perspective view being identical thereto;

FIG. 10 is a top view of the raised garden bed as shown in FIG. 8, the bottom view of which is an identical view thereto;

FIG. 11 is a front view of the raised garden bed as shown in FIG. 8, the rear view of which is an identical view thereto;

FIG. 12 is a left side view of the raised garden bed as shown in FIG. 8, the right side view of which is an identical view thereto;

FIG. 13 is a perspective view of the raised garden bed as shown in FIG. 8, with another similar raised garden bed adjacent thereto in a first configuration shown in broken line; and

FIG. 14 is a perspective view of the raised garden bed as shown in FIG. 8, with another similar raised garden bed adjacent thereto in a second configuration shown in broken line.

FIG. 15 is a front perspective view of a raised garden bed in accordance with a third embodiment of my new design, with an opening therethrough defined by the sides of the raised garden bed, and with a rear perspective view being identical thereto;

FIG. 16 is a left side perspective view of the raised garden bed as shown in FIG. 15, with a right side perspective view being identical thereto;

FIG. 17 is a top view of the raised garden bed as shown in FIG. 15, the bottom view of which is an identical view thereto;

FIG. 18 is a front view of the raised garden bed as shown in FIG. 15, the rear view of which is an identical view thereto;

FIG. 19 is a left side view of the raised garden bed as shown in FIG. 15, the right side view of which is an identical view thereto;

FIG. 20 is a perspective view of the raised garden bed as shown in FIG. 15, with another similar raised garden bed adjacent thereto in a first configuration shown in broken line; and,

FIG. 21 is a perspective view of the raised garden bed as shown in FIG. 15, with another similar raised garden bed adjacent thereto in a second configuration shown in broken line.

Any broken line illustration of environmental structure in the drawings and selected other features that may be shown as attached to the claimed design are for illustrative purpose only and form no part of the design. The raised garden bed is shown in FIGS. 8-14 with a symbolic break in its length. The appearance of any portion of the article between the break lines forms no part of the claimed design.

**1 Claim, 16 Drawing Sheets**

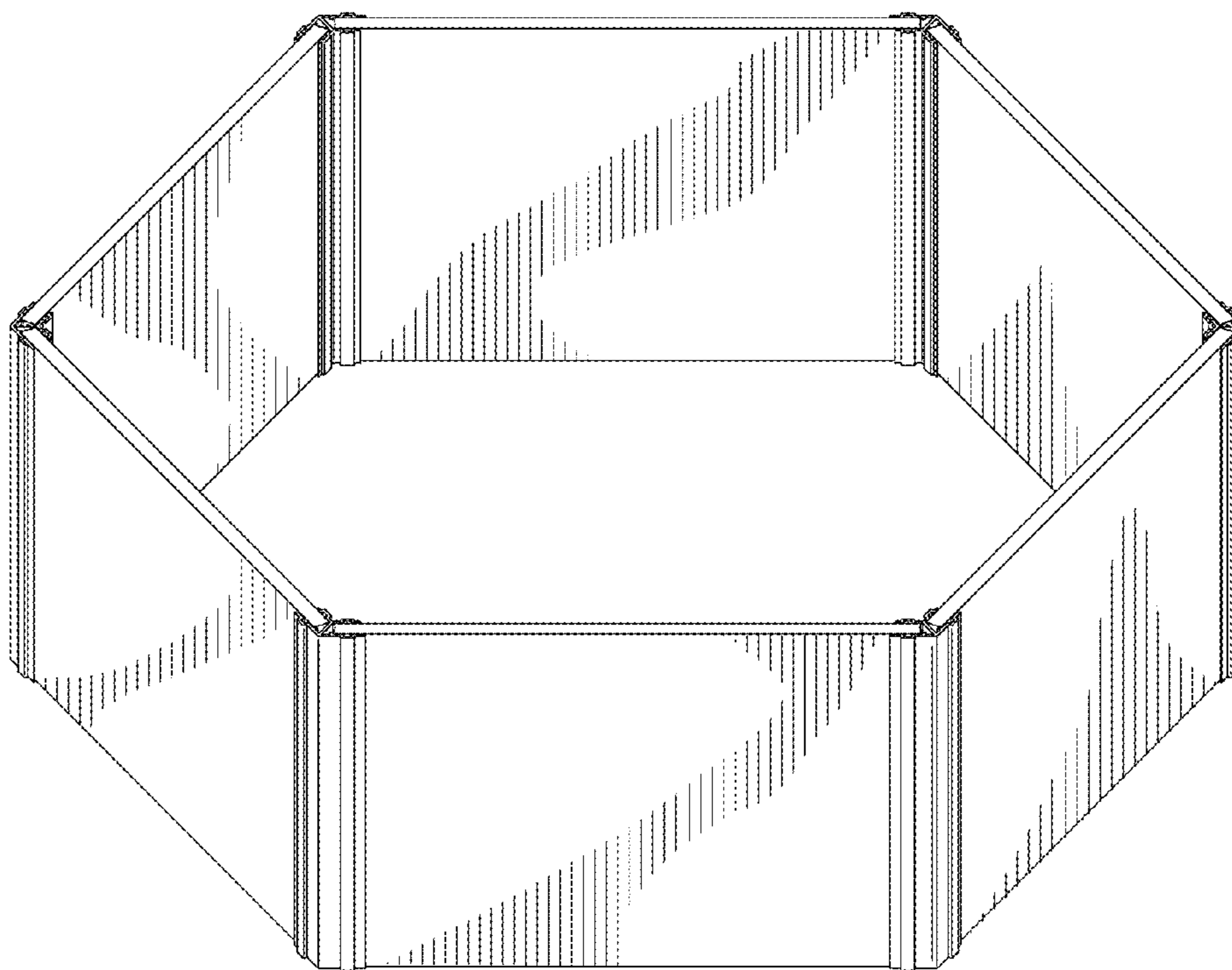


FIG. 1

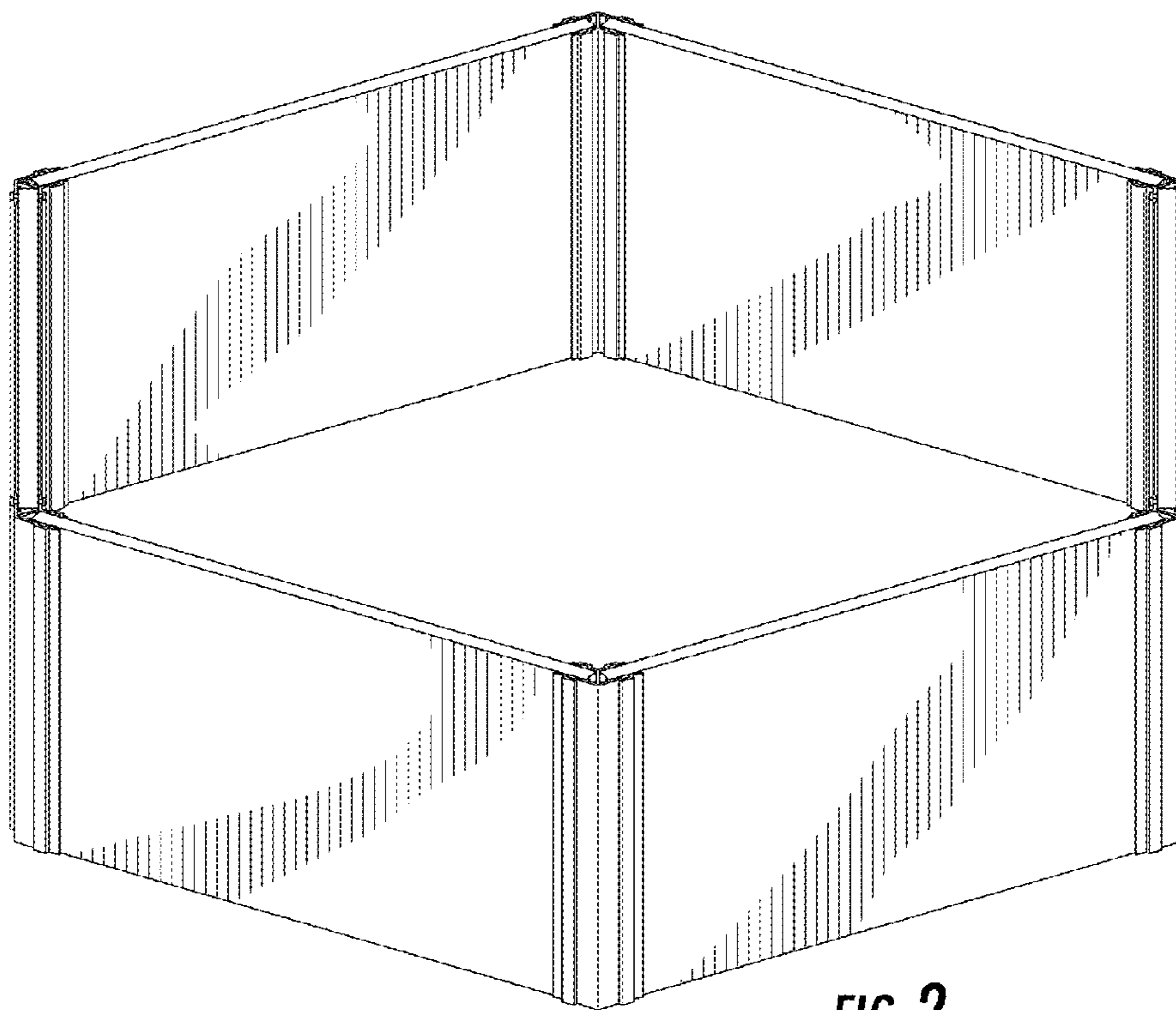


FIG. 2

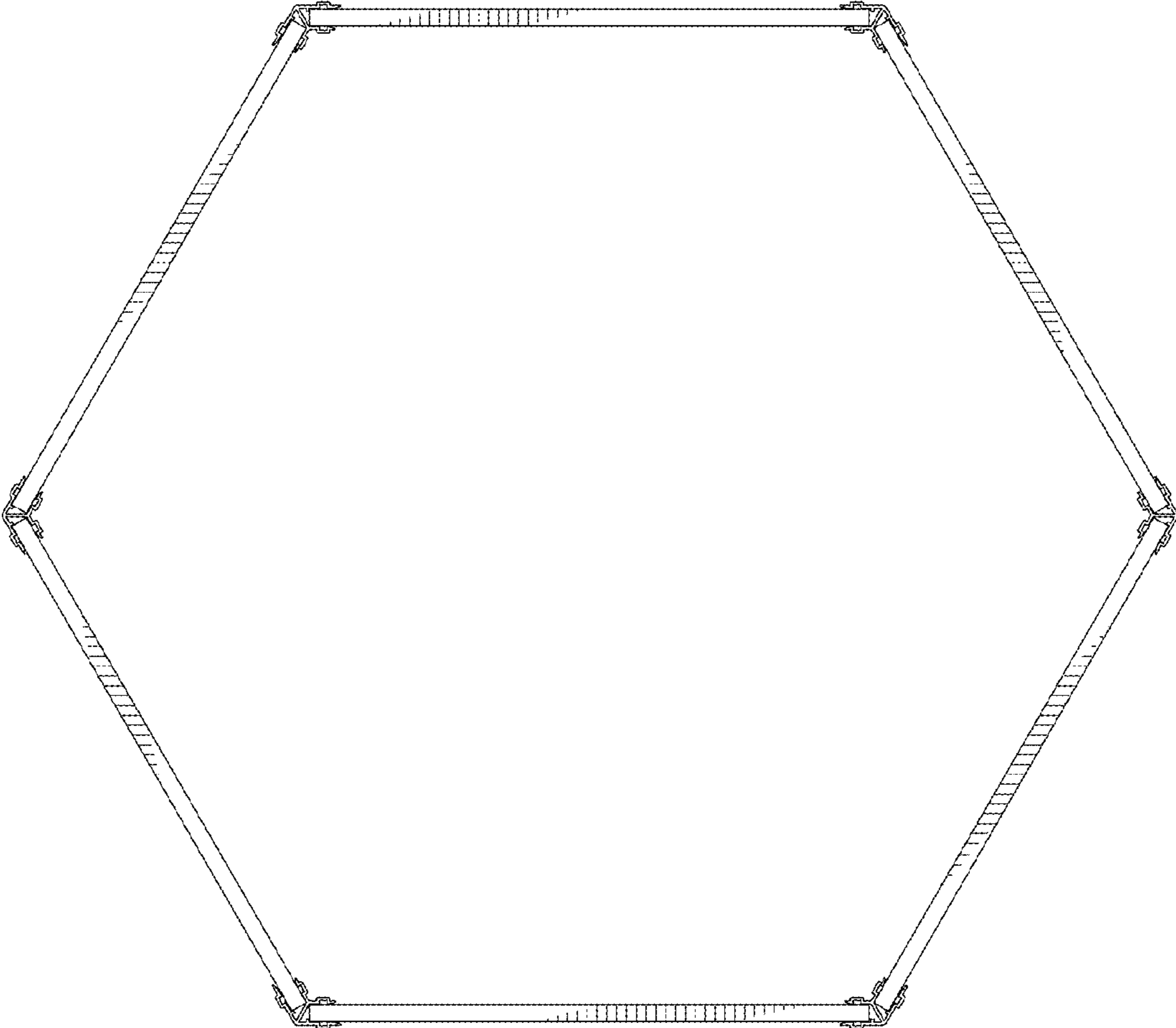
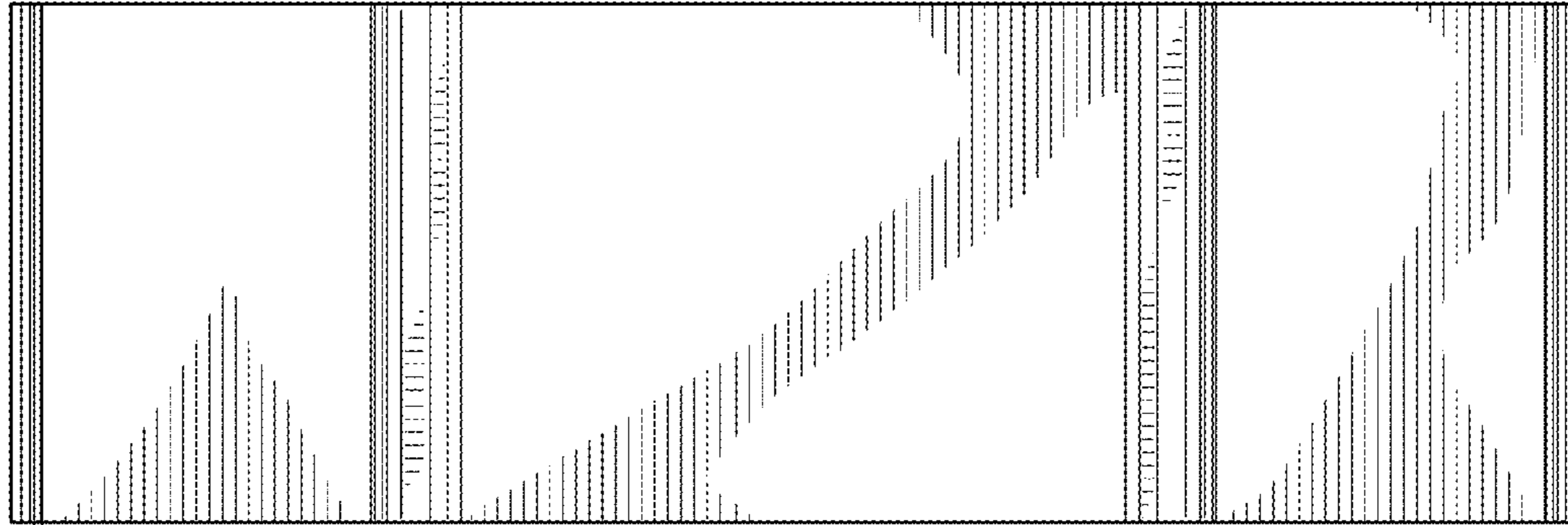
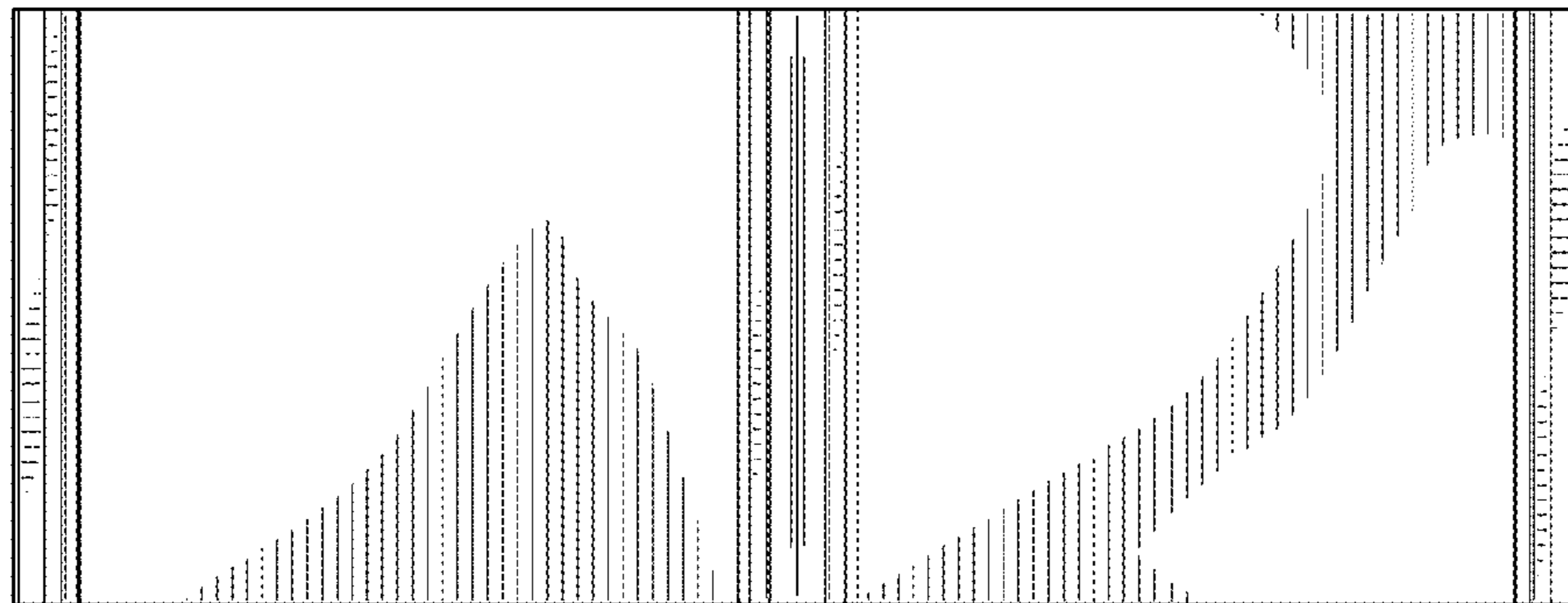


FIG. 3



**FIG. 4**



**FIG. 5**

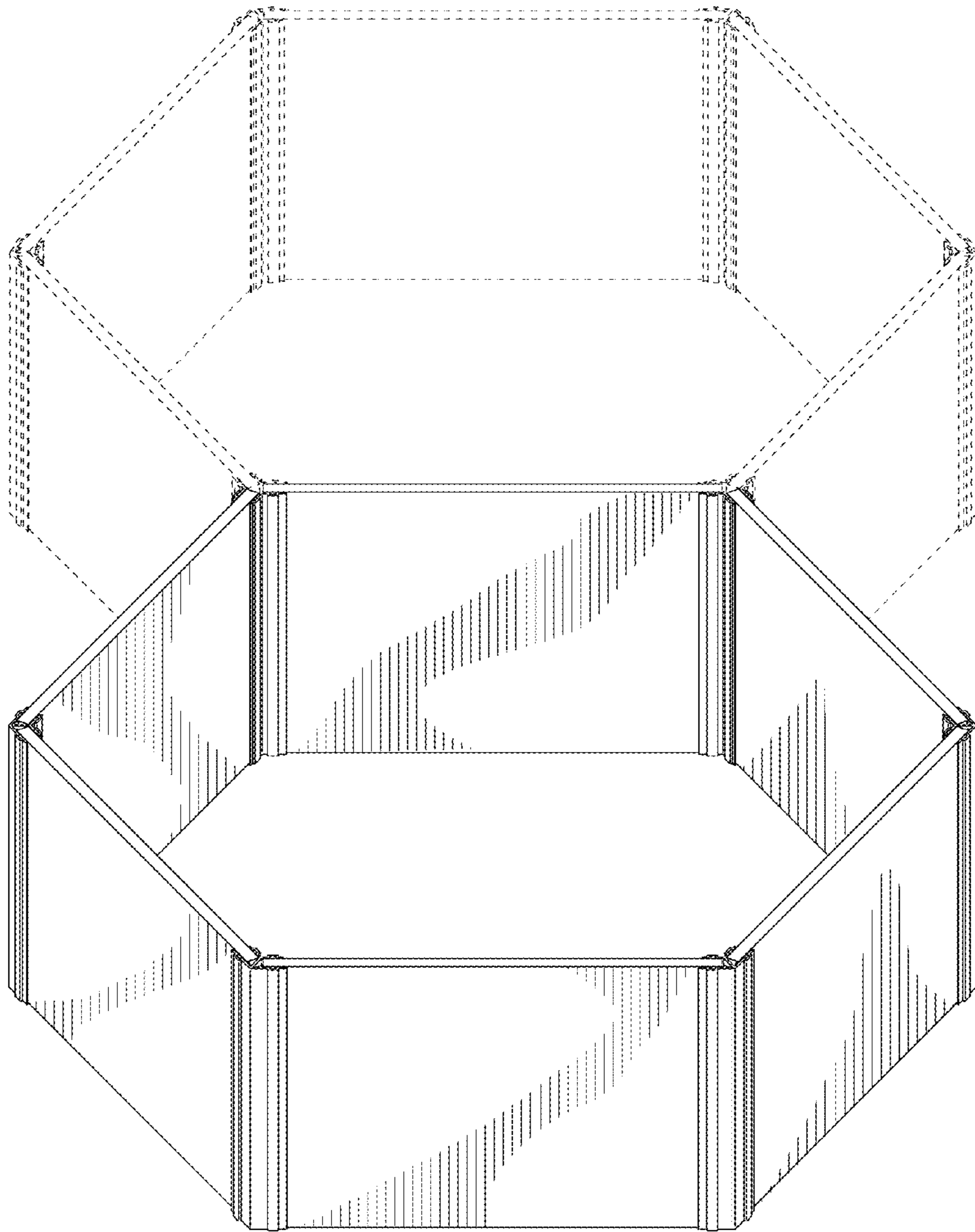
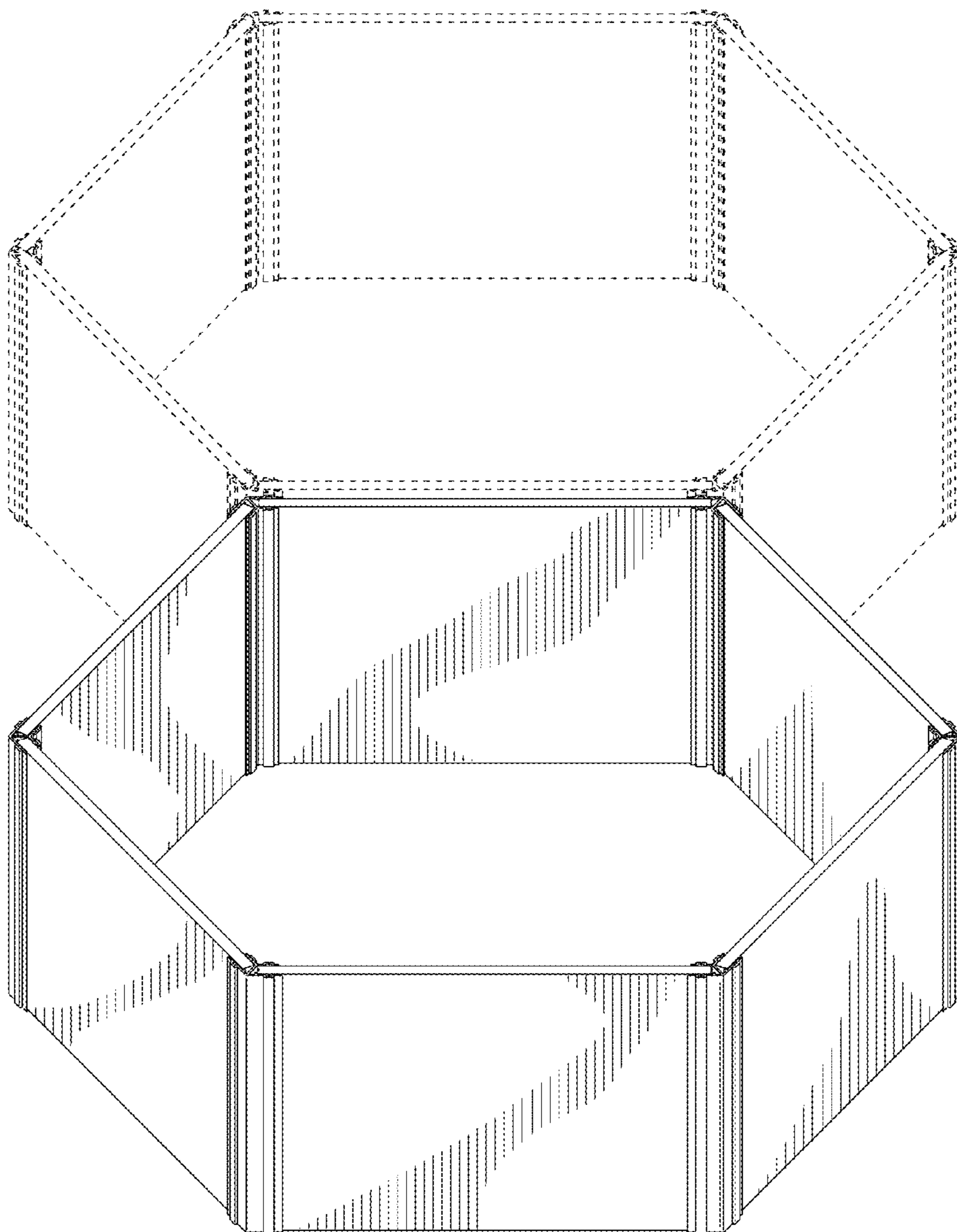
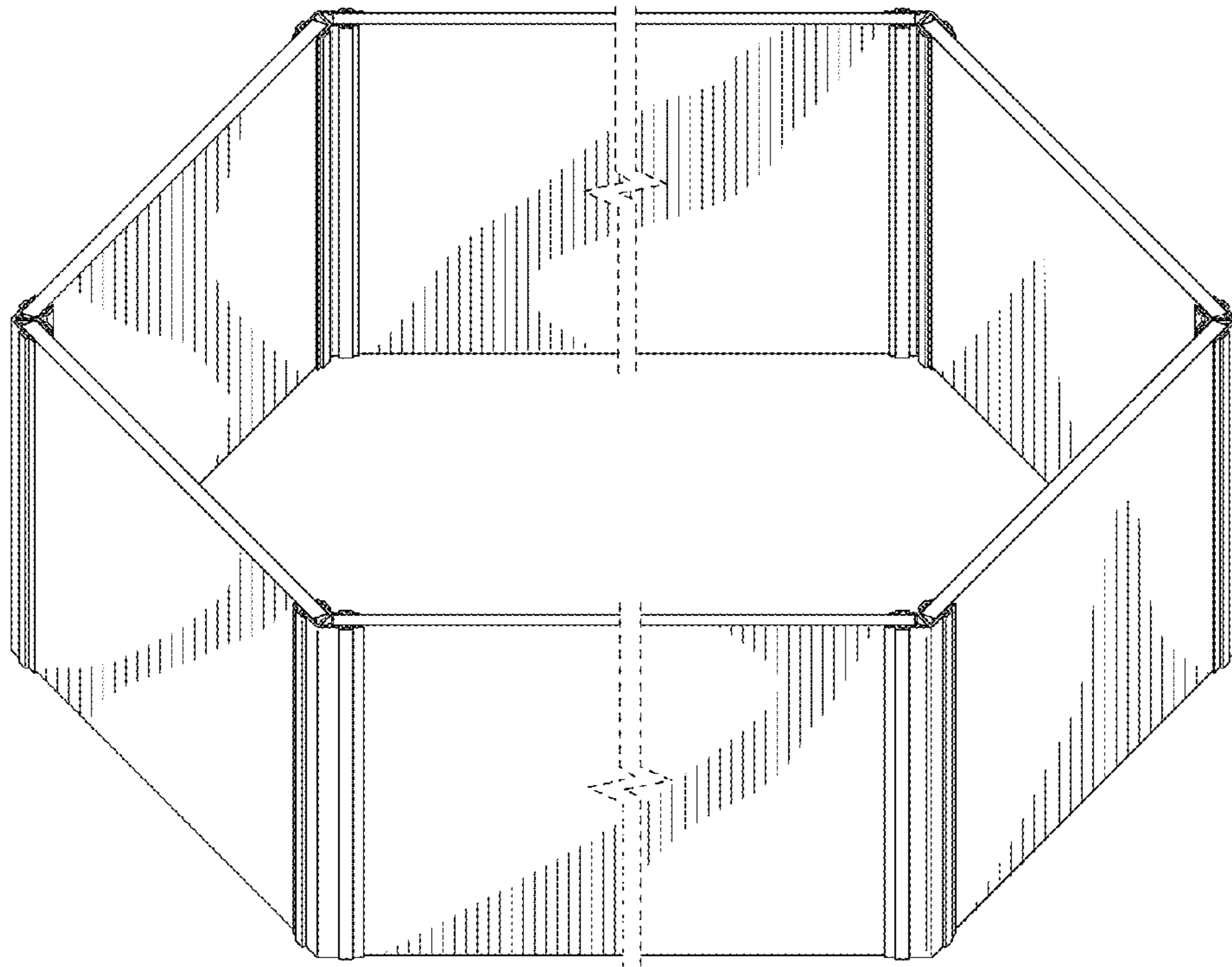


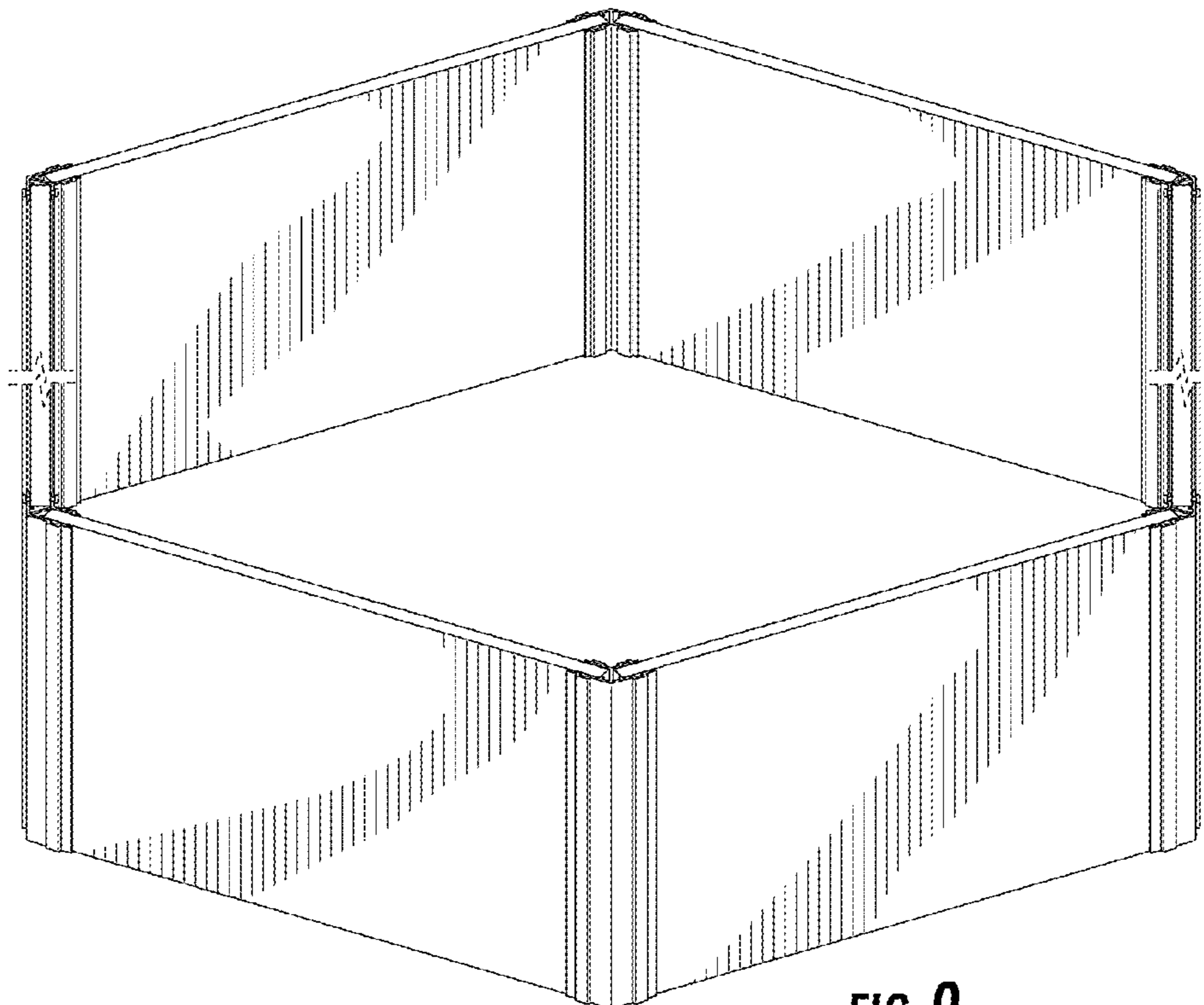
FIG. 6



**FIG. 7**

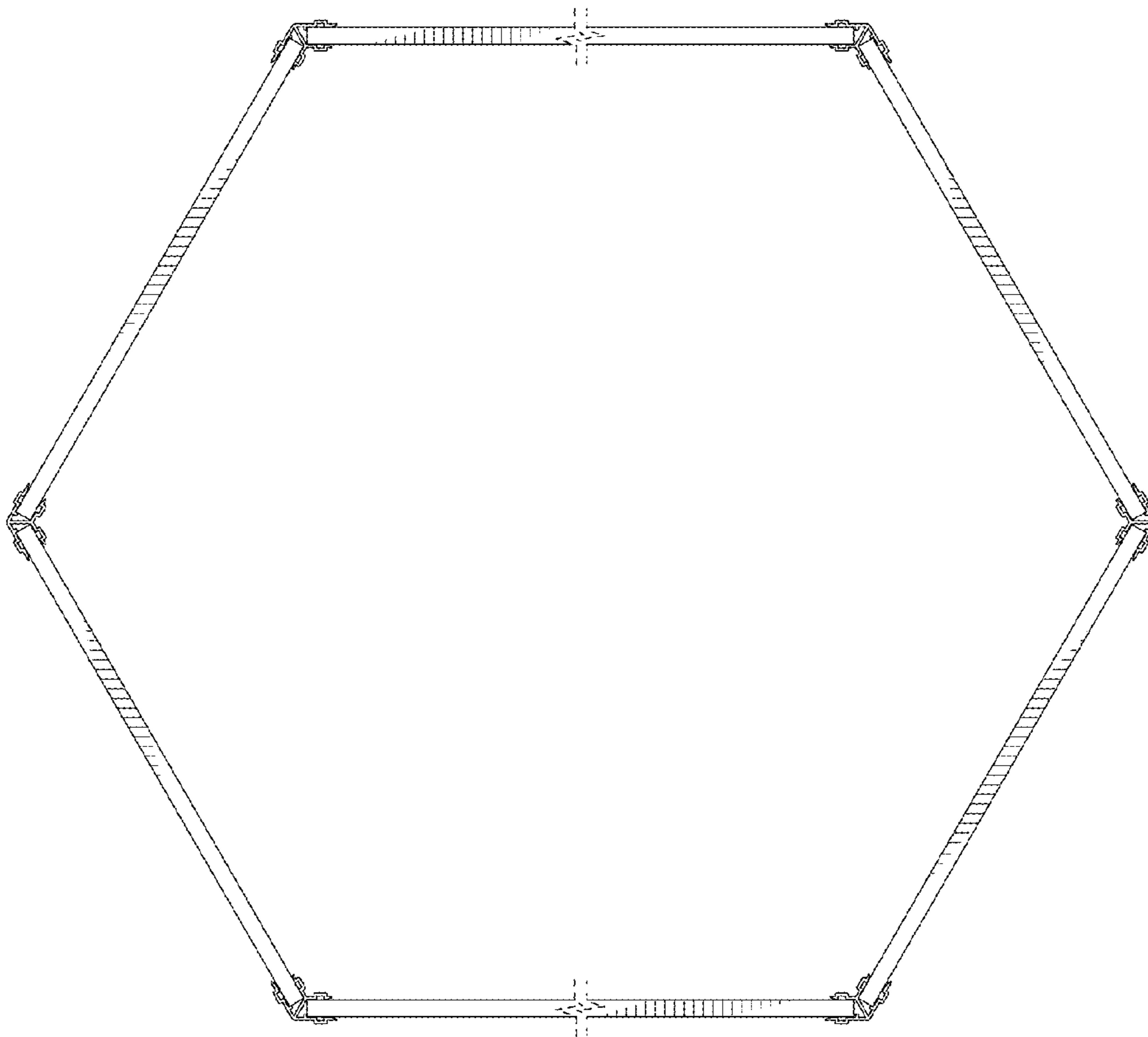


**FIG. 8**

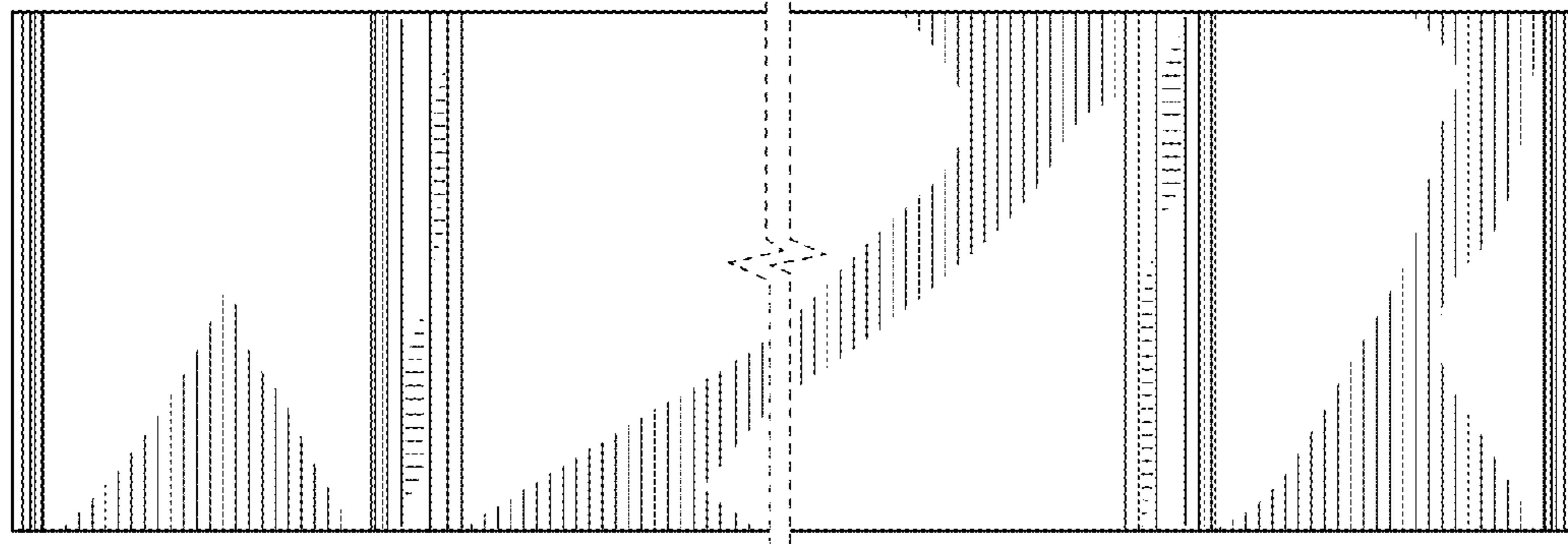


**FIG. 9**

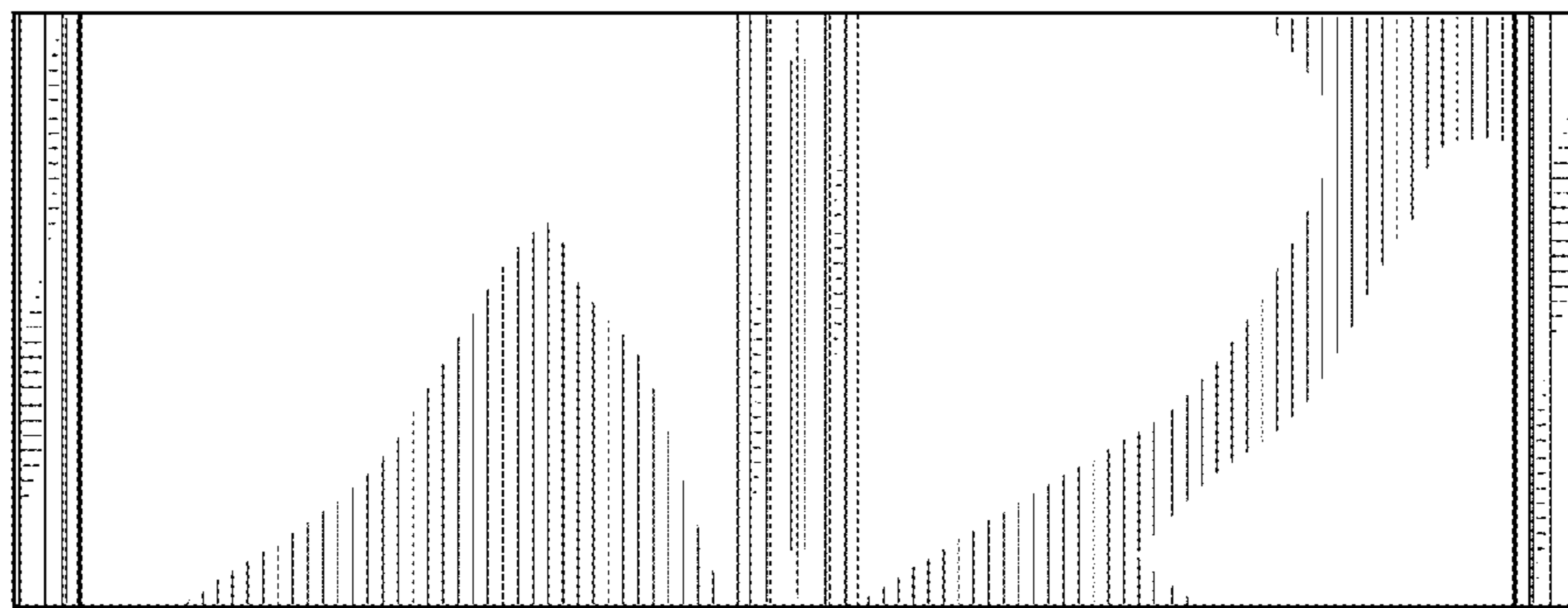




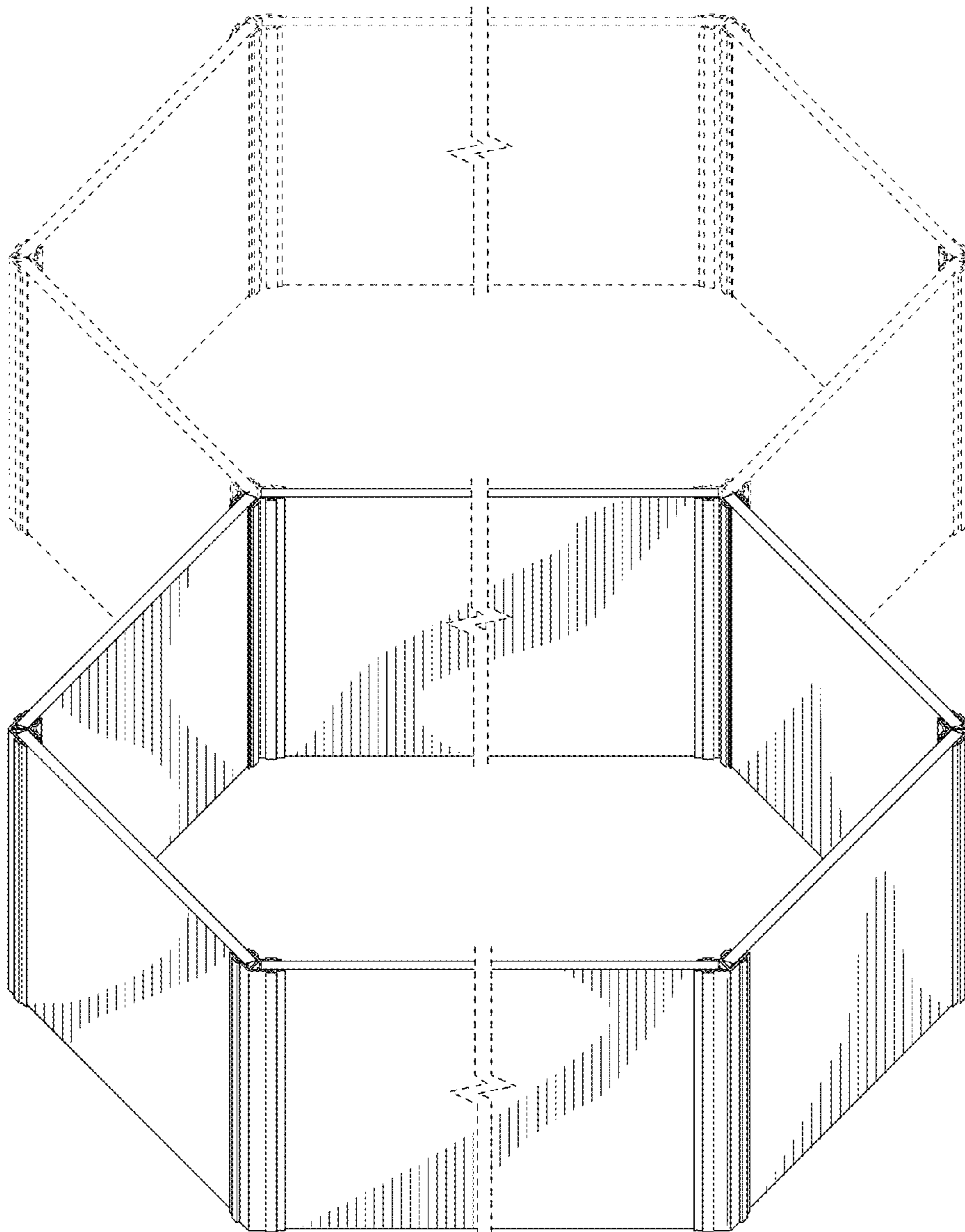
**FIG. 10**



**FIG. 11**



**FIG. 12**



**FIG. 13**

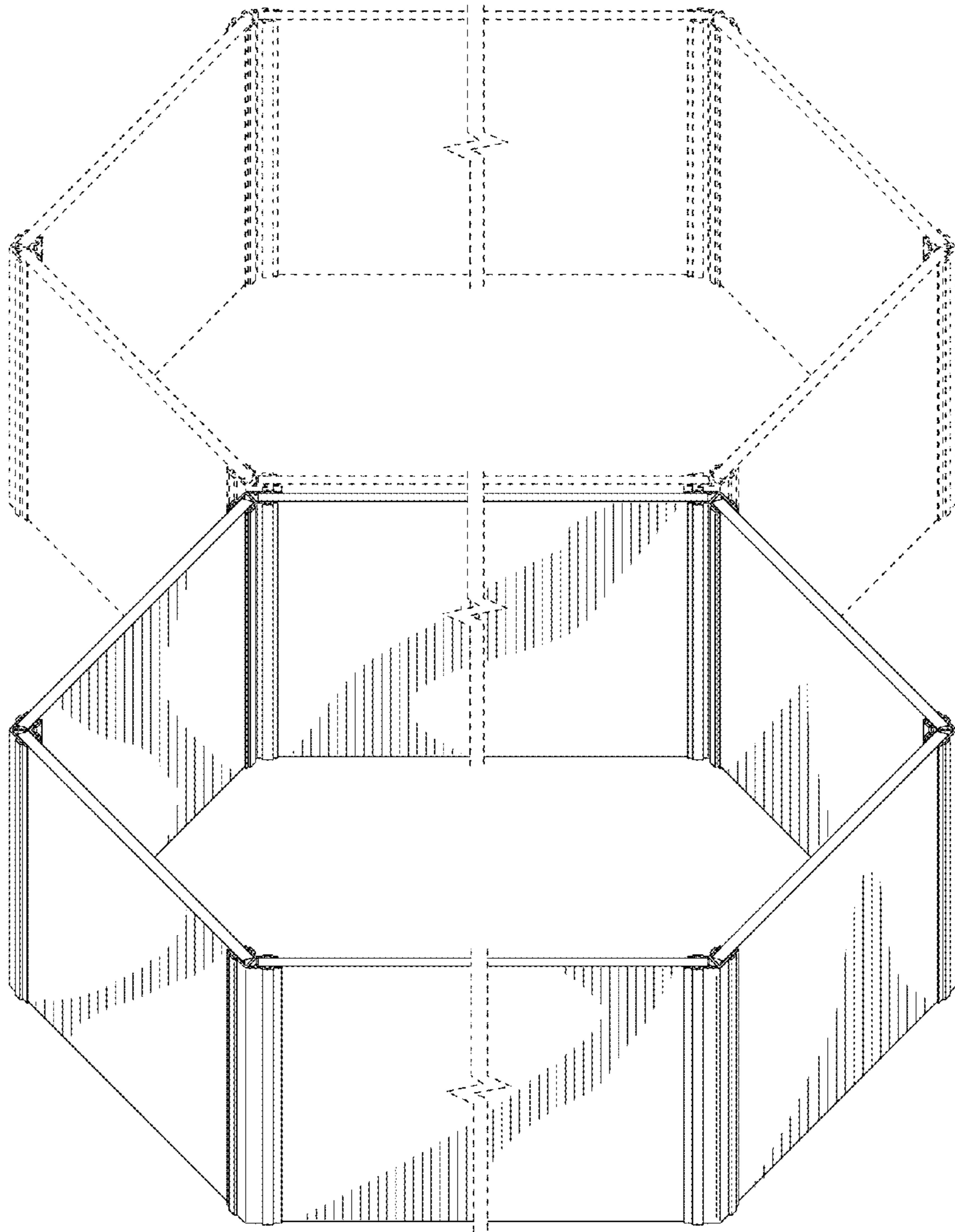


FIG. 14

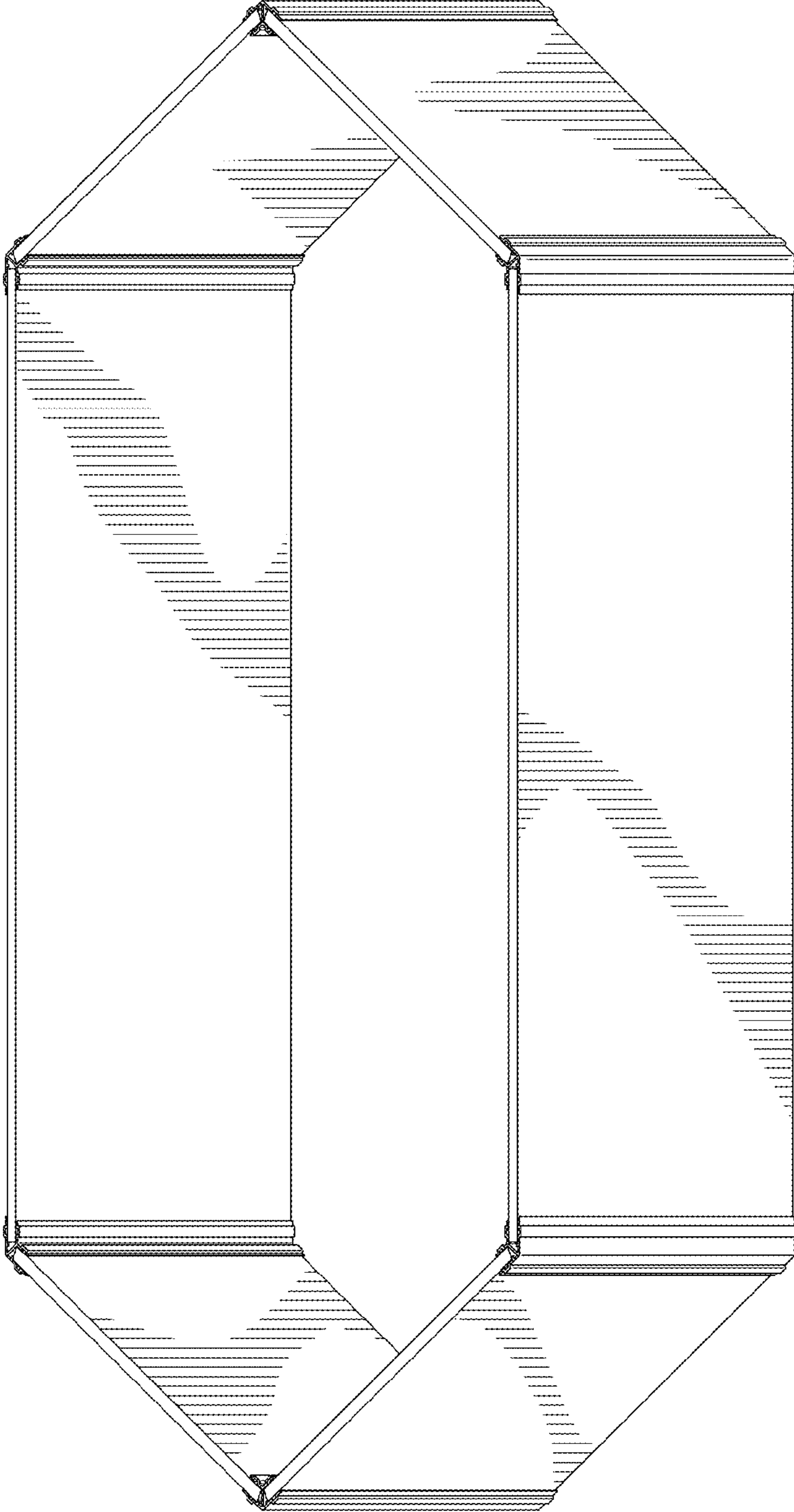
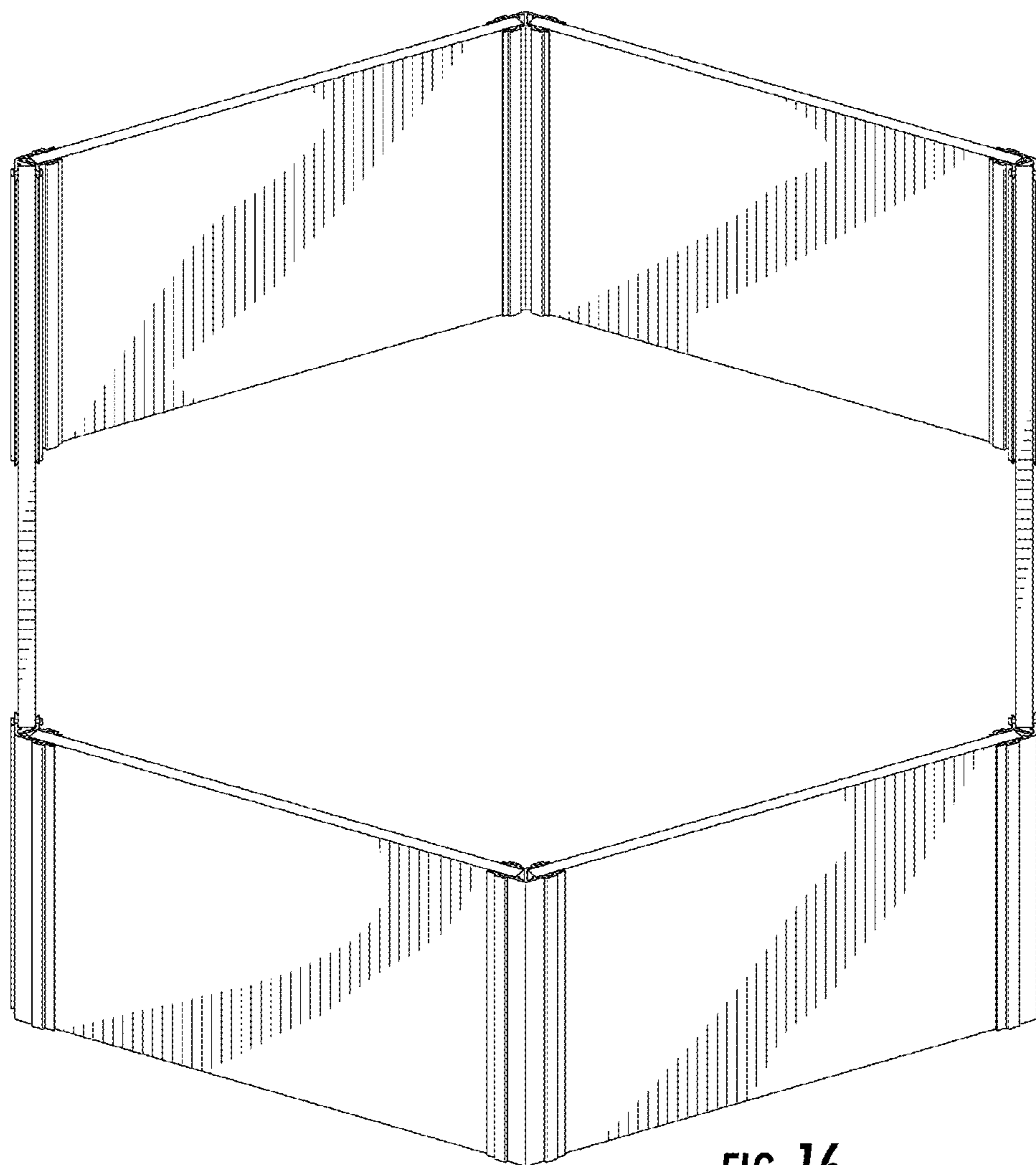


FIG. 15



**FIG. 16**

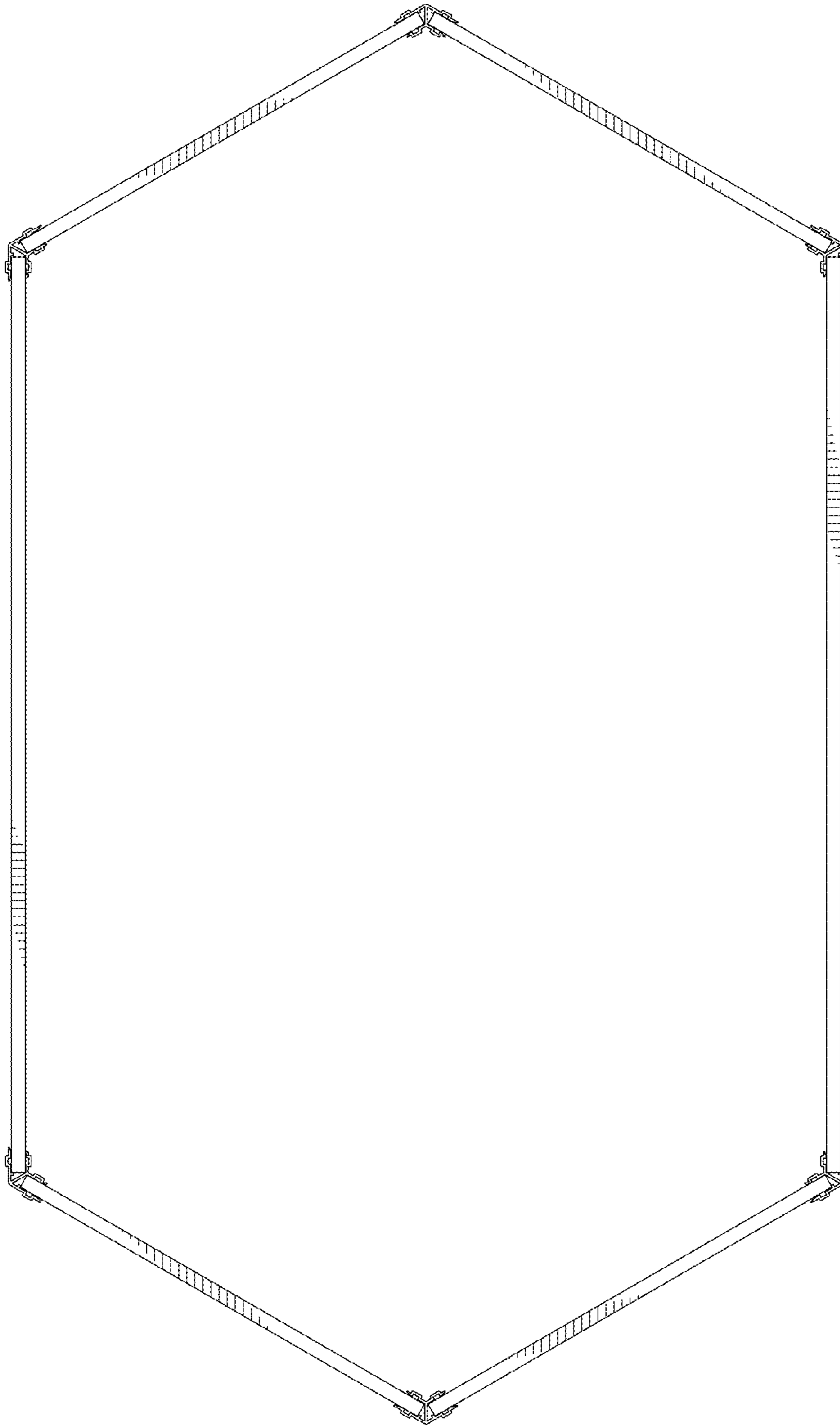


FIG. 17

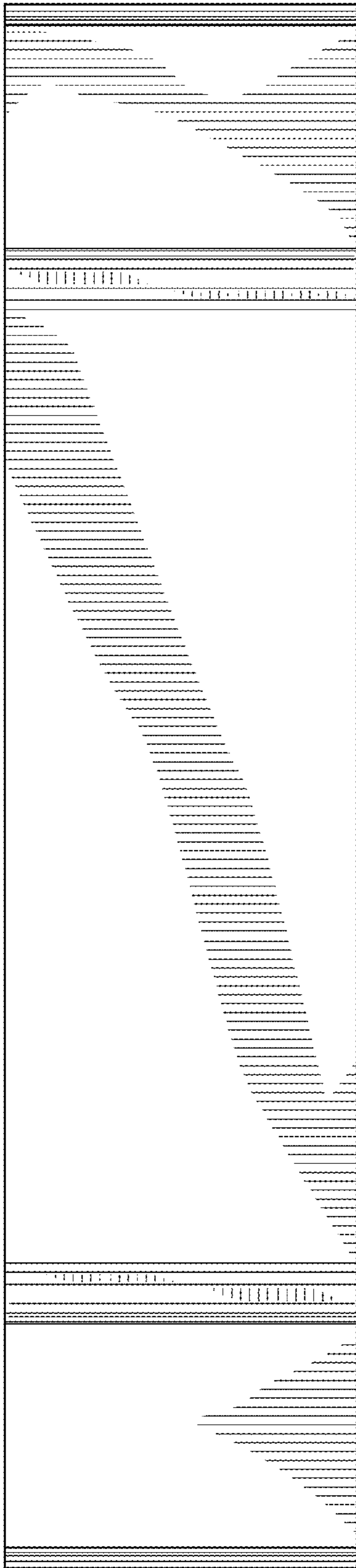


FIG. 18

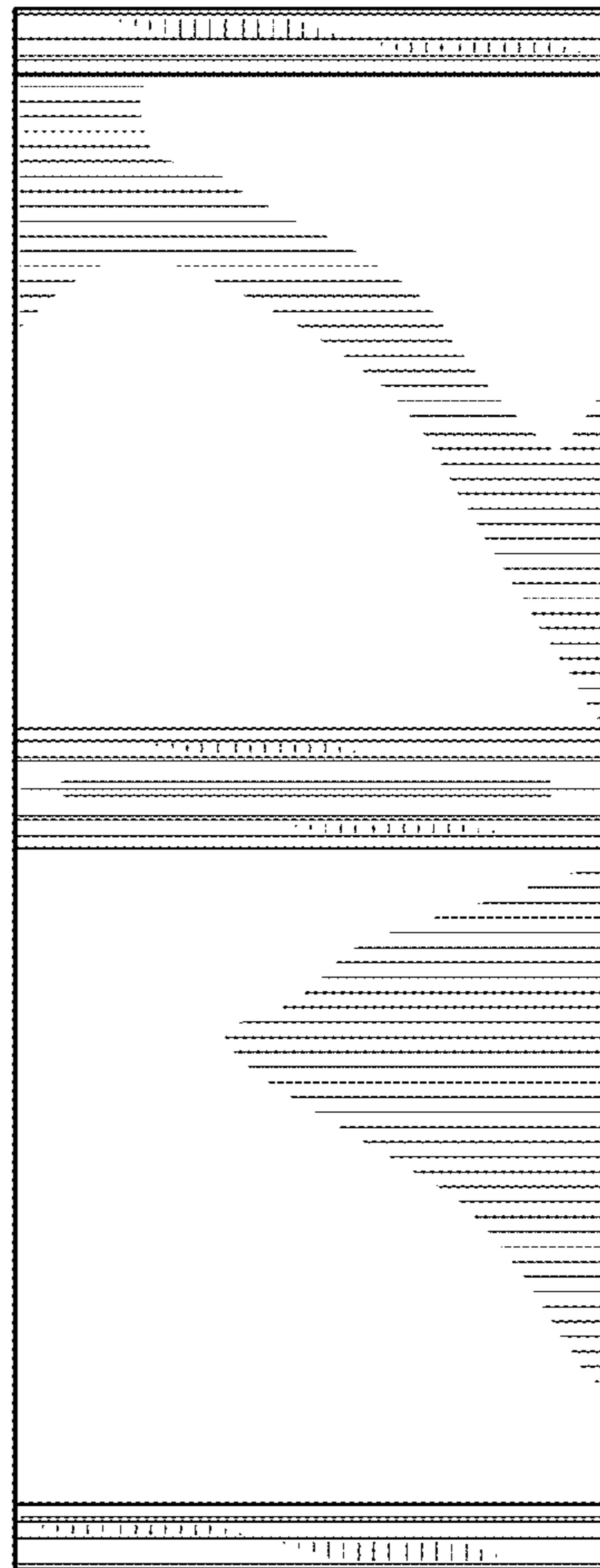
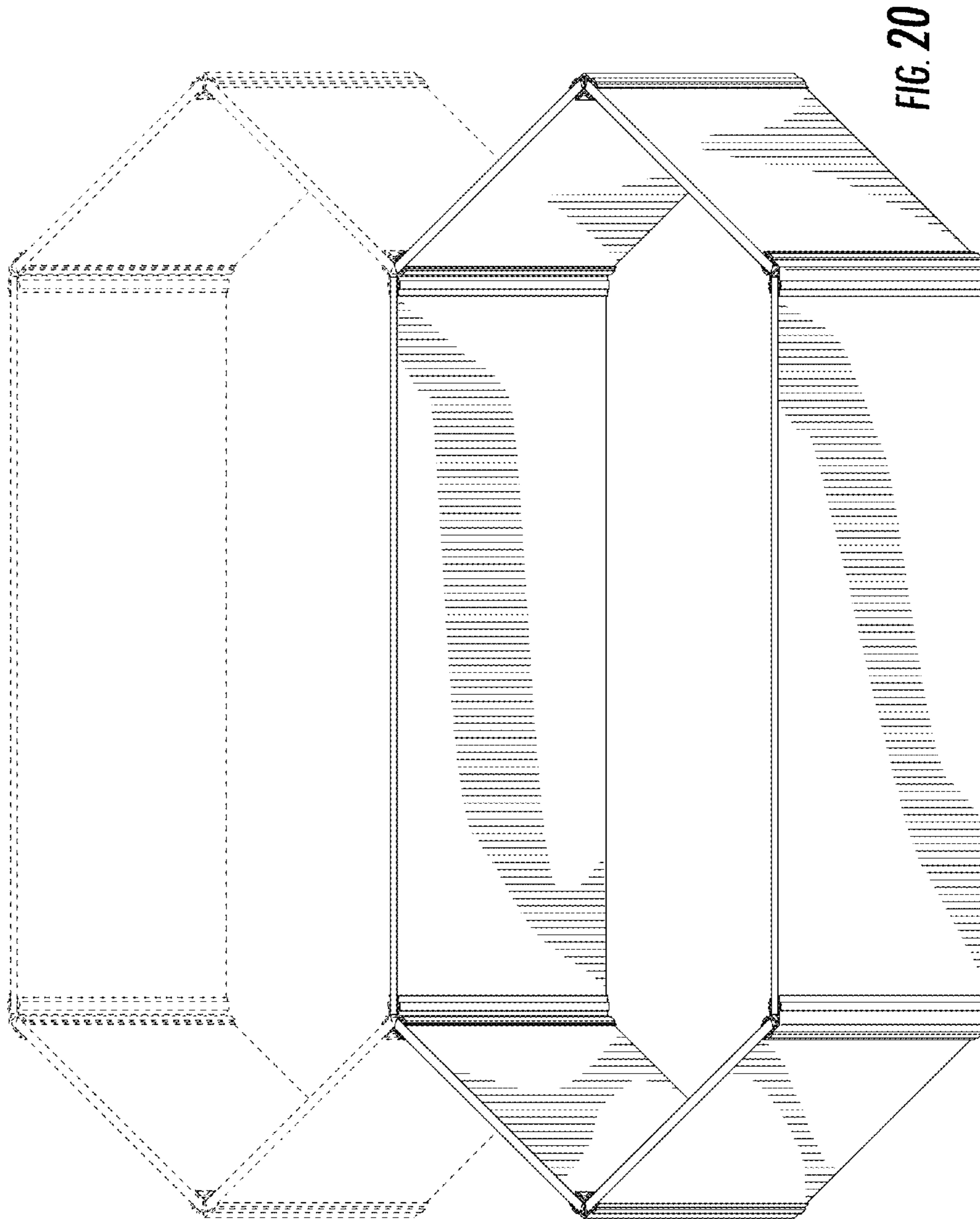


FIG. 19





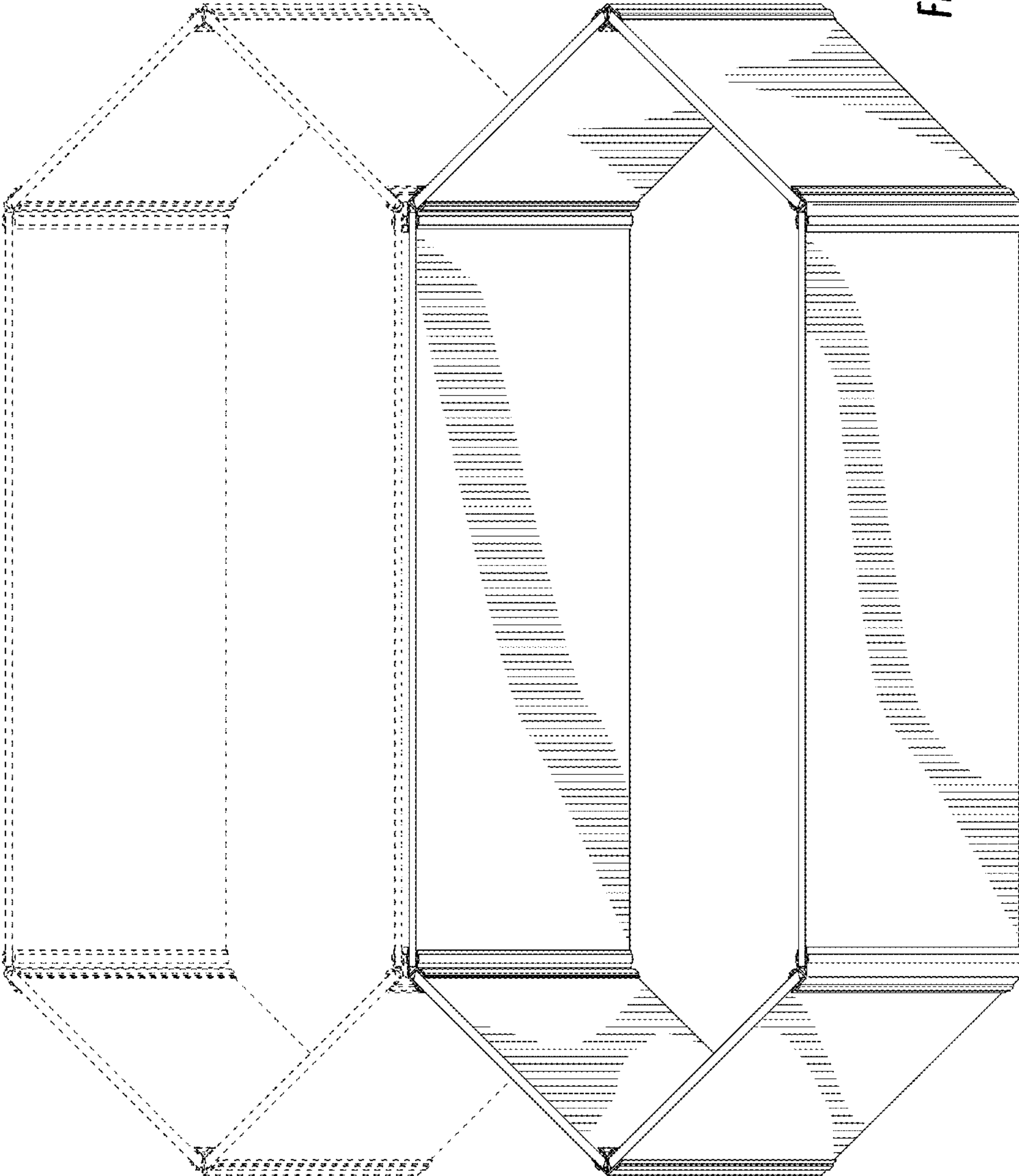


FIG. 21