



US00D714595S

(12) **United States Design Patent**  
**Ducey**

(10) **Patent No.:** **US D714,595 S**  
(45) **Date of Patent:** **\*\* Oct. 7, 2014**

(54) **HERB GRINDER**  
(71) Applicant: **Cole Ducey**, San Marcos, CA (US)  
(72) Inventor: **Cole Ducey**, San Marcos, CA (US)  
(\*\*) Term: **14 Years**  
(21) Appl. No.: **29/488,715**  
(22) Filed: **Apr. 22, 2014**  
(51) **LOC (10) CI.** ..... **07-04**  
(52) **U.S. CI.**  
USPC ..... **D7/679; D7/372**  
(58) **Field of Classification Search**  
CPC ..... **A47J 42/08**  
USPC ..... **D7/679, 590-598, 372, 373, 401.1;**  
**222/142.1-142.9, 480; 99/484-485,**  
**99/495, 509-510; 241/25, 101.2, 199.12,**  
**241/101.3, 273.1-273.4, 282.1, 168, 169,**  
**241/169.1, 83, 36, 92, 95**  
See application file for complete search history.

7,367,519 B2 5/2008 de Groote et al.  
7,422,170 B2 \* 9/2008 Bao ..... 241/168  
D594,288 S 6/2009 Mah et al.  
D627,609 S 11/2010 McGuyer et al.  
7,886,999 B2 2/2011 Ruzycy  
8,083,167 B1 12/2011 Namakian et al.  
8,220,732 B2 7/2012 Griffin et al.  
D673,006 S \* 12/2012 Kent ..... D7/372  
D678,004 S 3/2013 Dam  
8,393,563 B2 3/2013 Chaoui et al.  
D695,067 S 12/2013 Wilson et al.  
2010/0301806 A1 12/2010 Ormaza et al.  
2012/0097774 A1 4/2012 Hainbach  
2013/0015278 A1 1/2013 Edwards  
2013/0214068 A1 8/2013 Camitta

\* cited by examiner

*Primary Examiner* — Terry Wallace

(74) *Attorney, Agent, or Firm* — Buche & Associates, P.C.;  
John K. Buche

(57) **CLAIM**

The ornamental design of an herb grinder, as shown and described.

**DESCRIPTION**

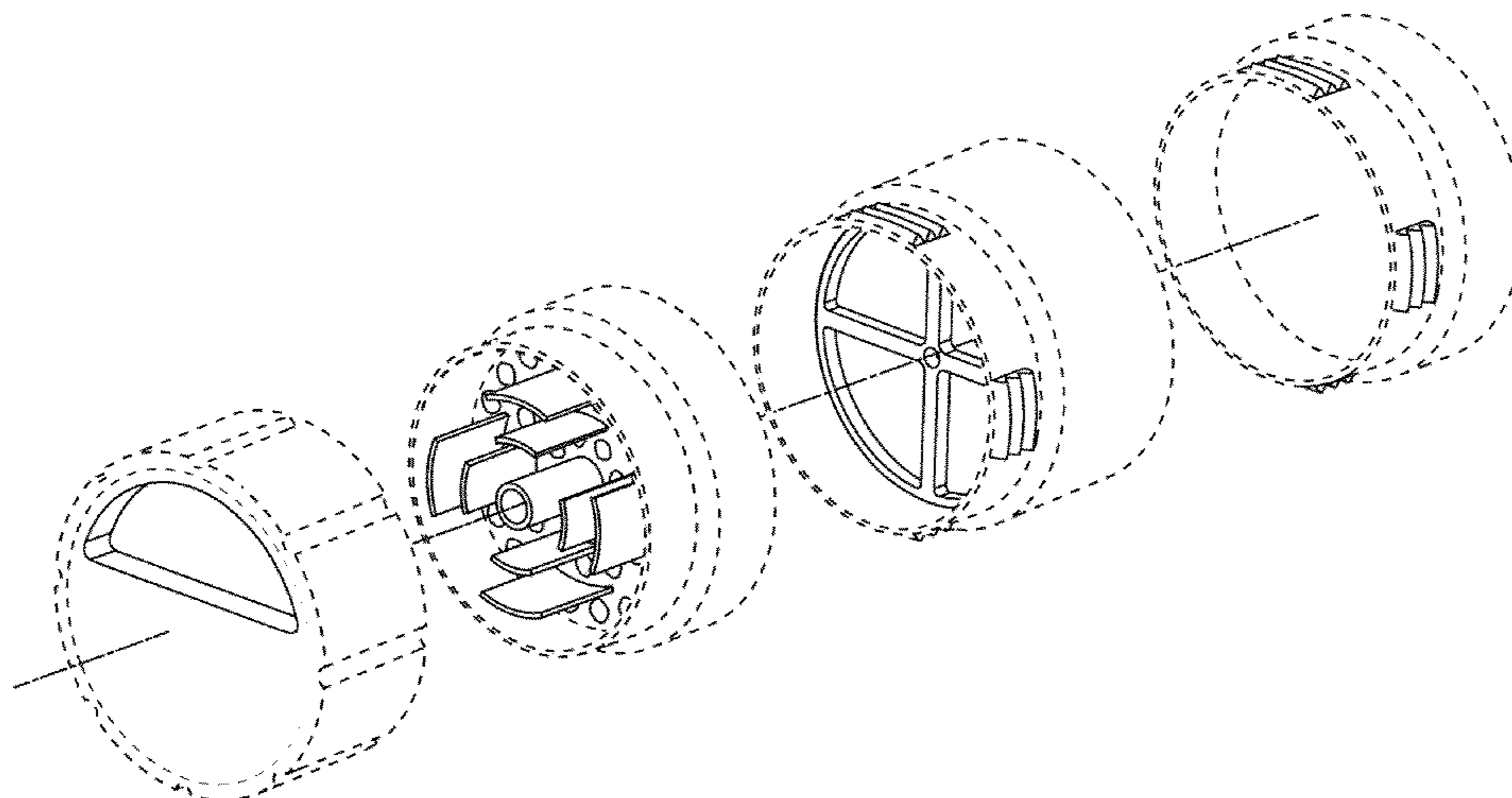
FIG. 1 is a top plan view of the herb grinder showing my new design.  
FIG. 2 is a bottom plan view of FIG. 1.  
FIG. 3 is a top perspective view of top tier of the herb grinder.  
FIG. 4 is a bottom perspective view of FIG. 3.  
FIG. 5 is a top perspective view of the second tier of the herb grinder.  
FIG. 6 is a top perspective view of the third tier of the herb grinder.  
FIG. 7 is a top perspective view of the bottom tier of the herb grinder; and,  
FIG. 8 is an exploded perspective view of the herb grinder.  
The sections are shown separately for clarity and ease of illustration. The broken lines are for illustrative purposes only and form no part of the claimed design.

**1 Claim, 5 Drawing Sheets**

(56) **References Cited**

**U.S. PATENT DOCUMENTS**

795,746 A 4/1905 Wingfield et al.  
2,602,596 A \* 7/1952 Jones et al. .... 241/169.1  
D189,310 S 11/1960 Craig  
3,729,096 A 4/1973 Fitzner et al.  
D250,280 S 11/1978 Waldman  
4,304,363 A 12/1981 Atkielski  
D307,223 S 4/1990 Rossari  
5,071,663 A \* 12/1991 Dugan ..... 241/168  
D378,653 S 4/1997 Richardi  
D447,920 S 9/2001 Lillelund et al.  
6,517,018 B2 2/2003 Manson  
D474,378 S 5/2003 Brandenburg  
D477,503 S \* 7/2003 Wong ..... D7/678  
6,663,031 B2 \* 12/2003 Henderson et al. .... 241/169.1  
6,834,817 B2 \* 12/2004 Manson ..... 241/169.1  
D501,372 S 2/2005 Lo  
6,945,486 B2 9/2005 Teng  
7,147,174 B2 12/2006 Mansen



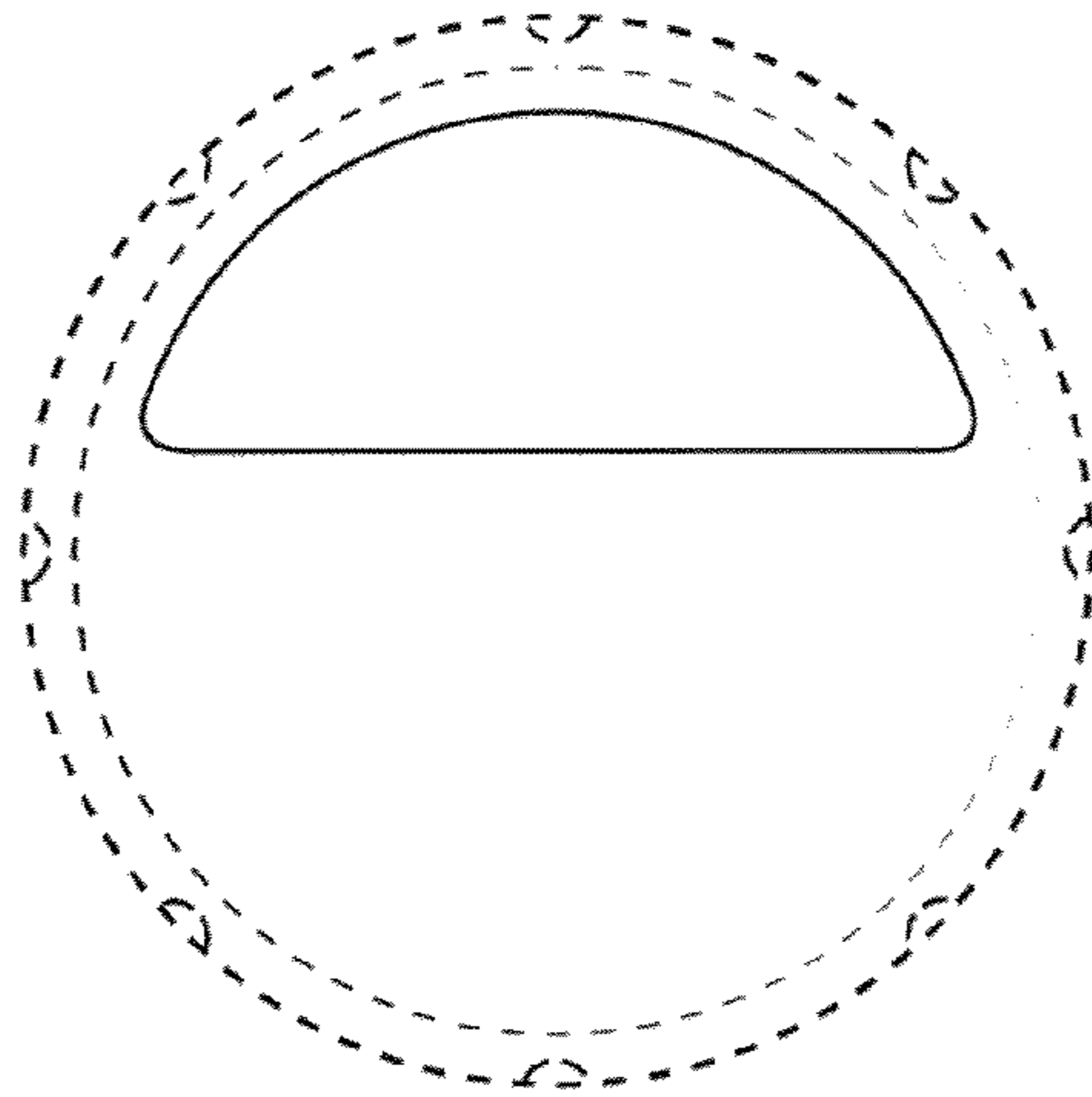


FIG. 1

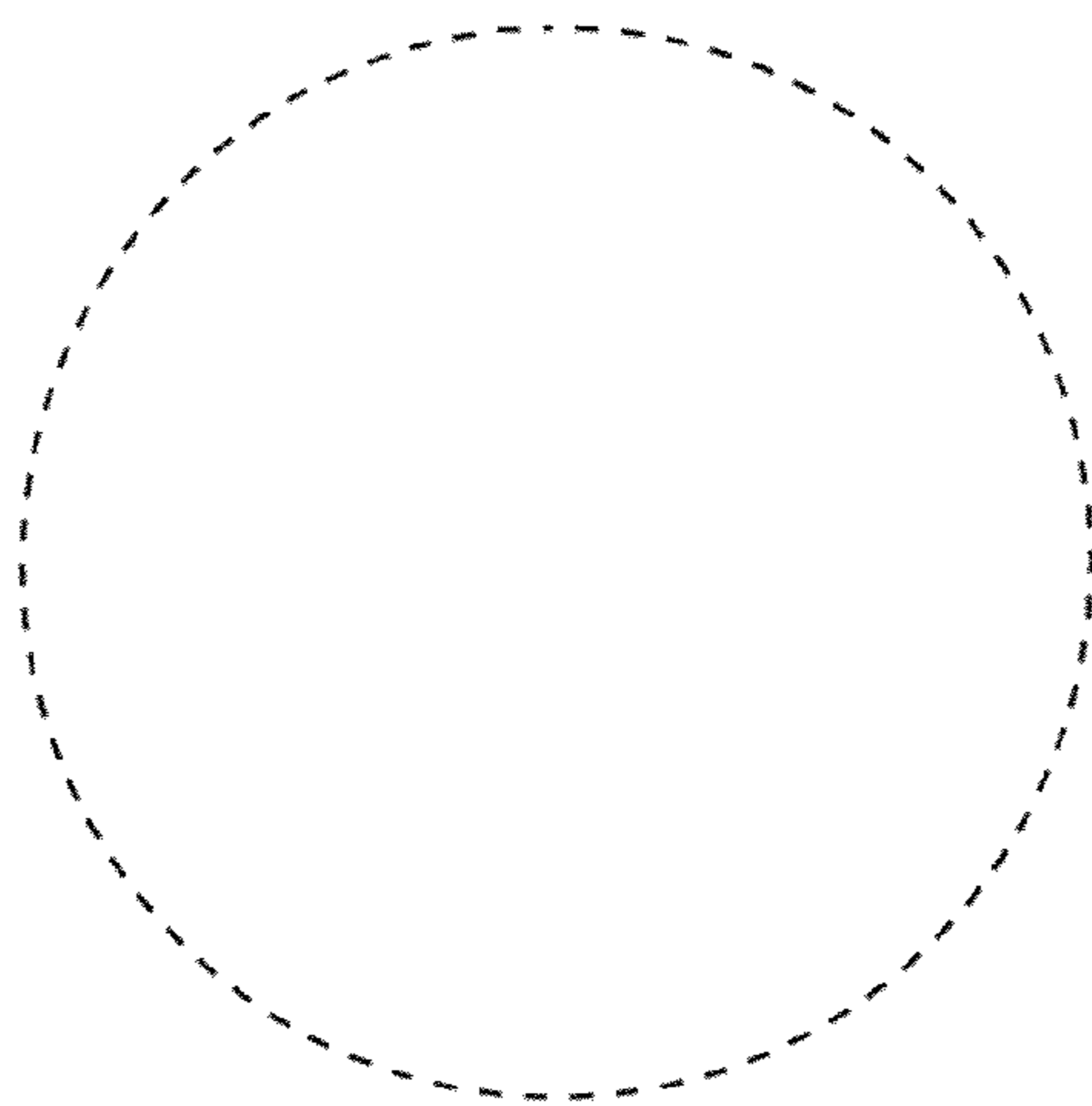


FIG. 2

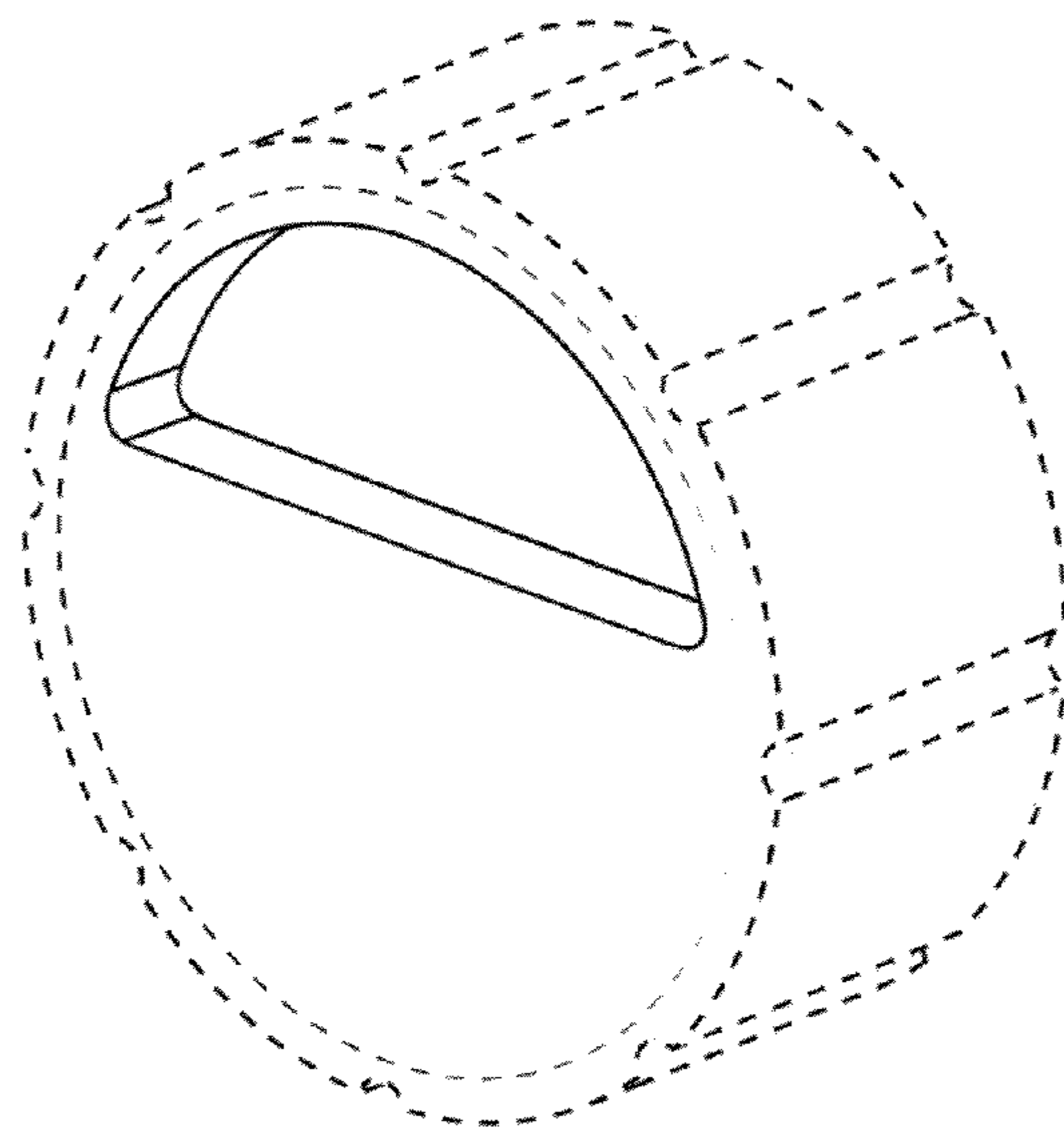


FIG. 3

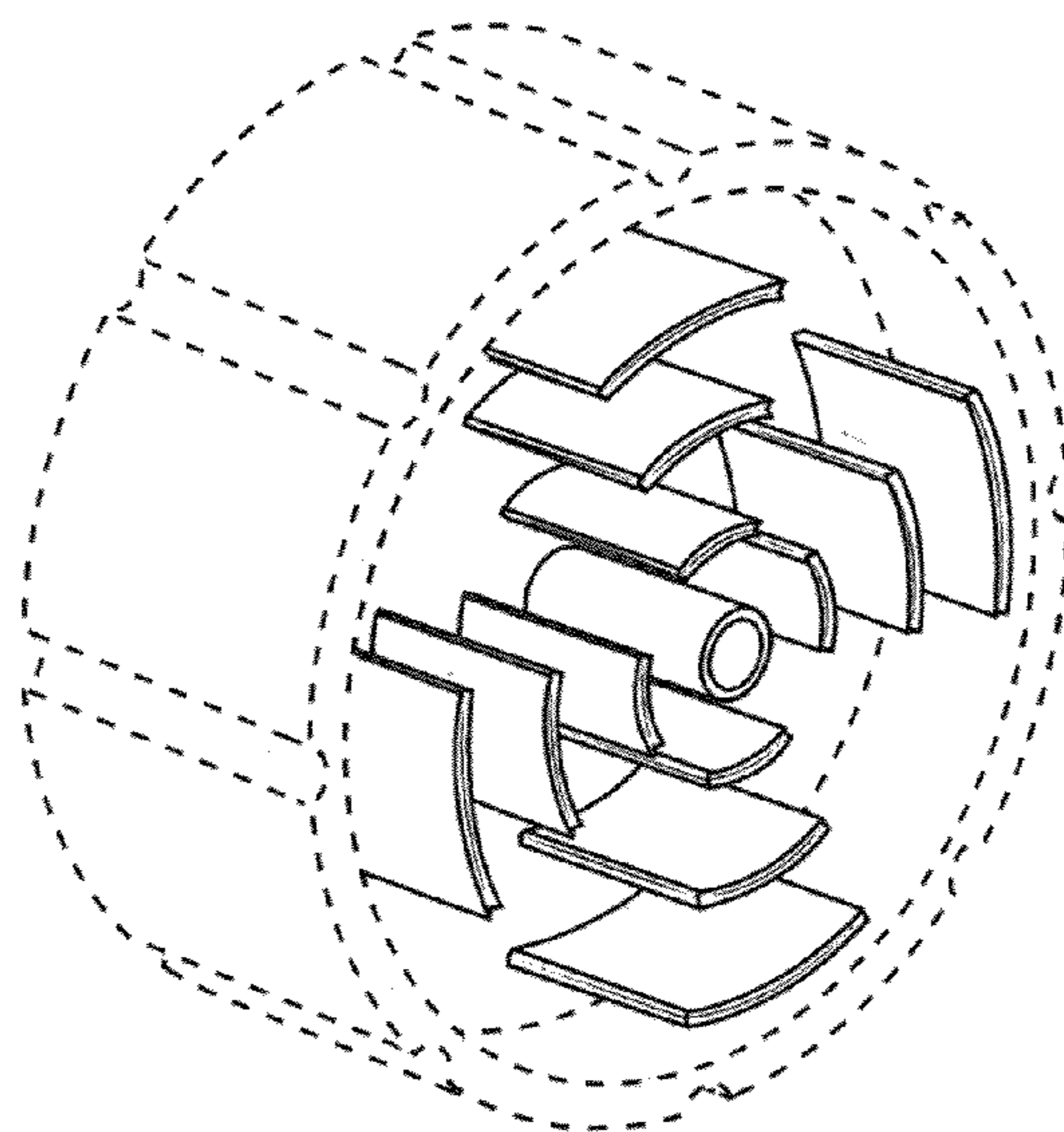


FIG. 4

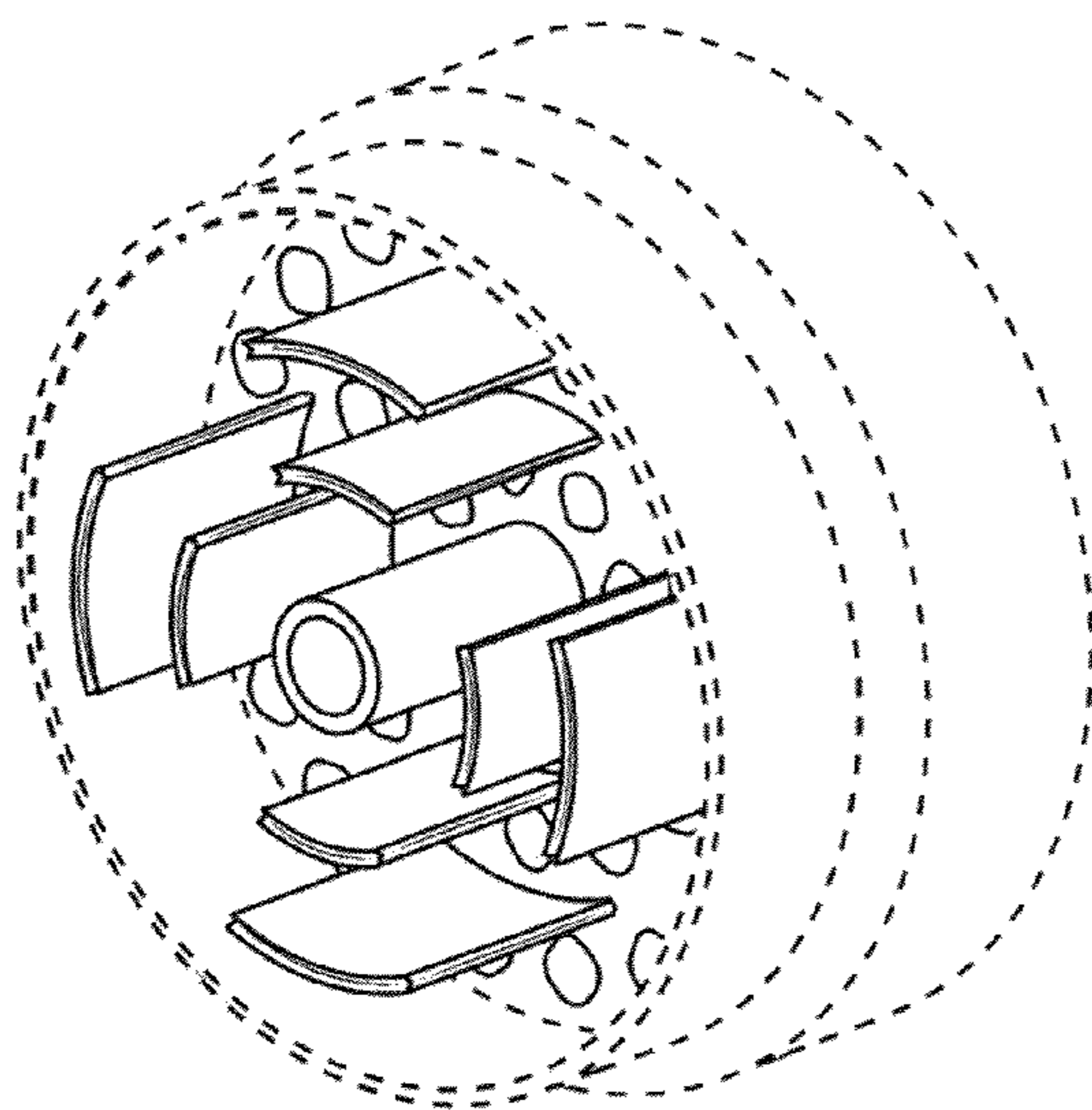


FIG. 5

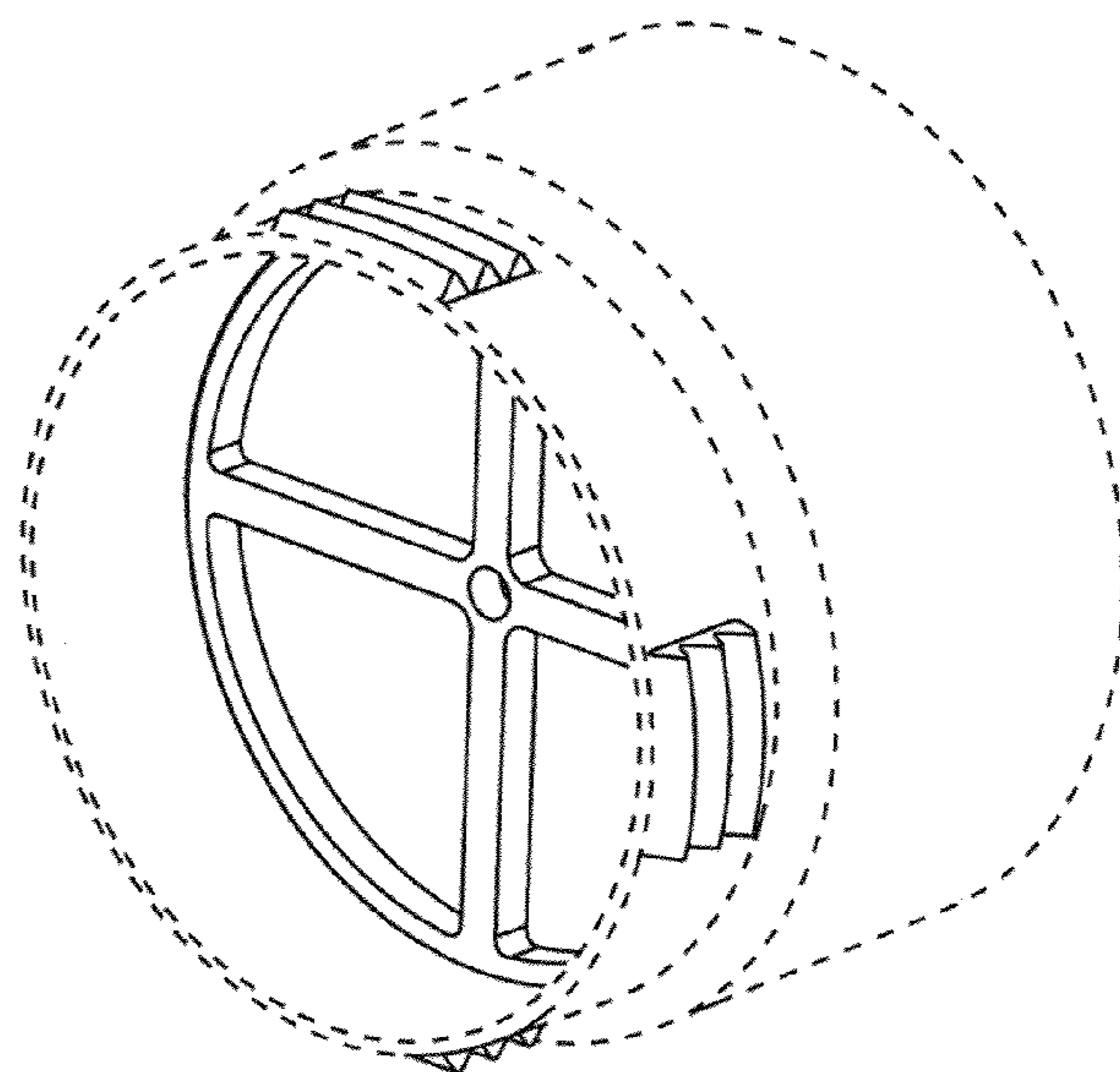


FIG. 6

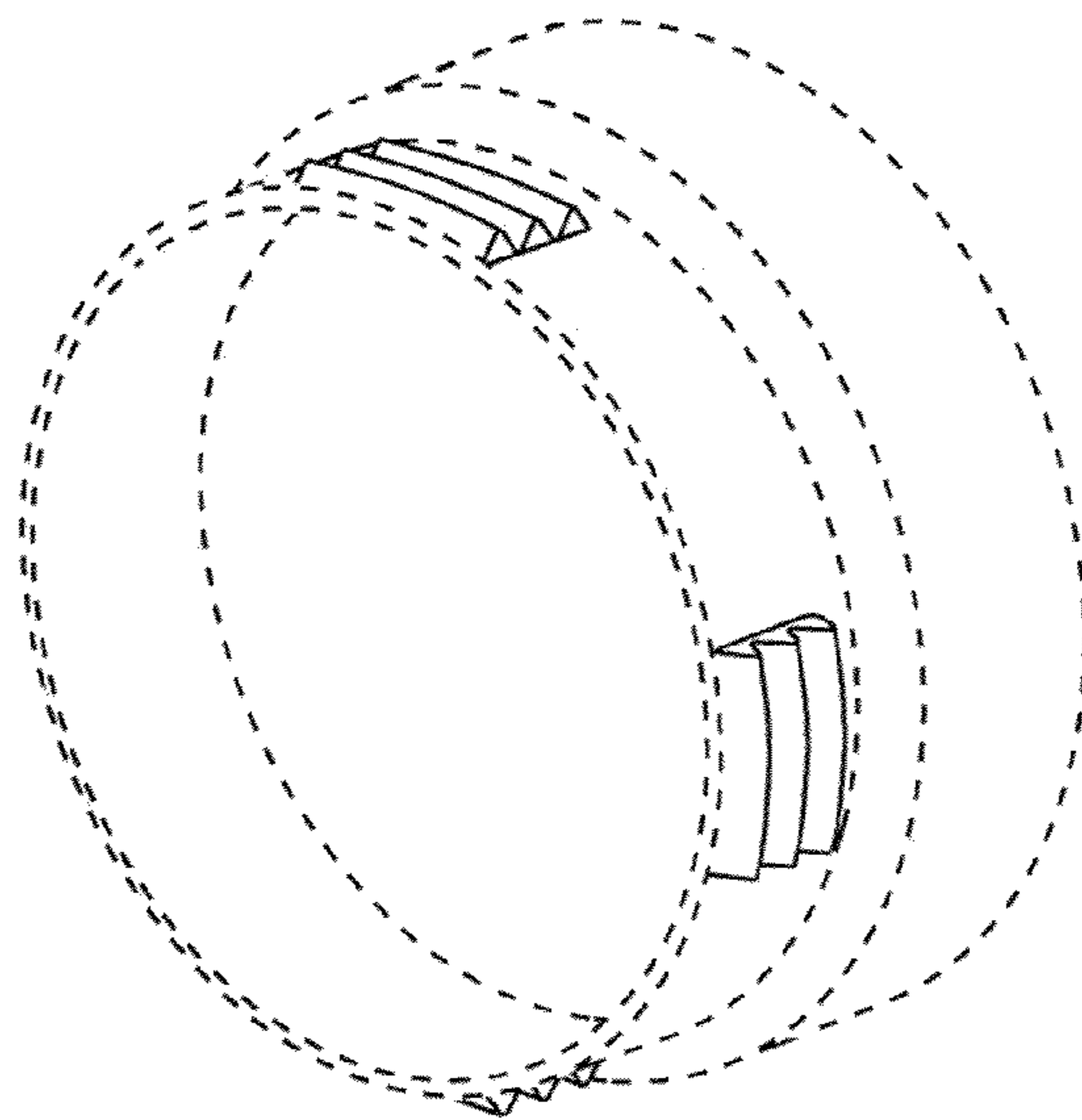


FIG. 7

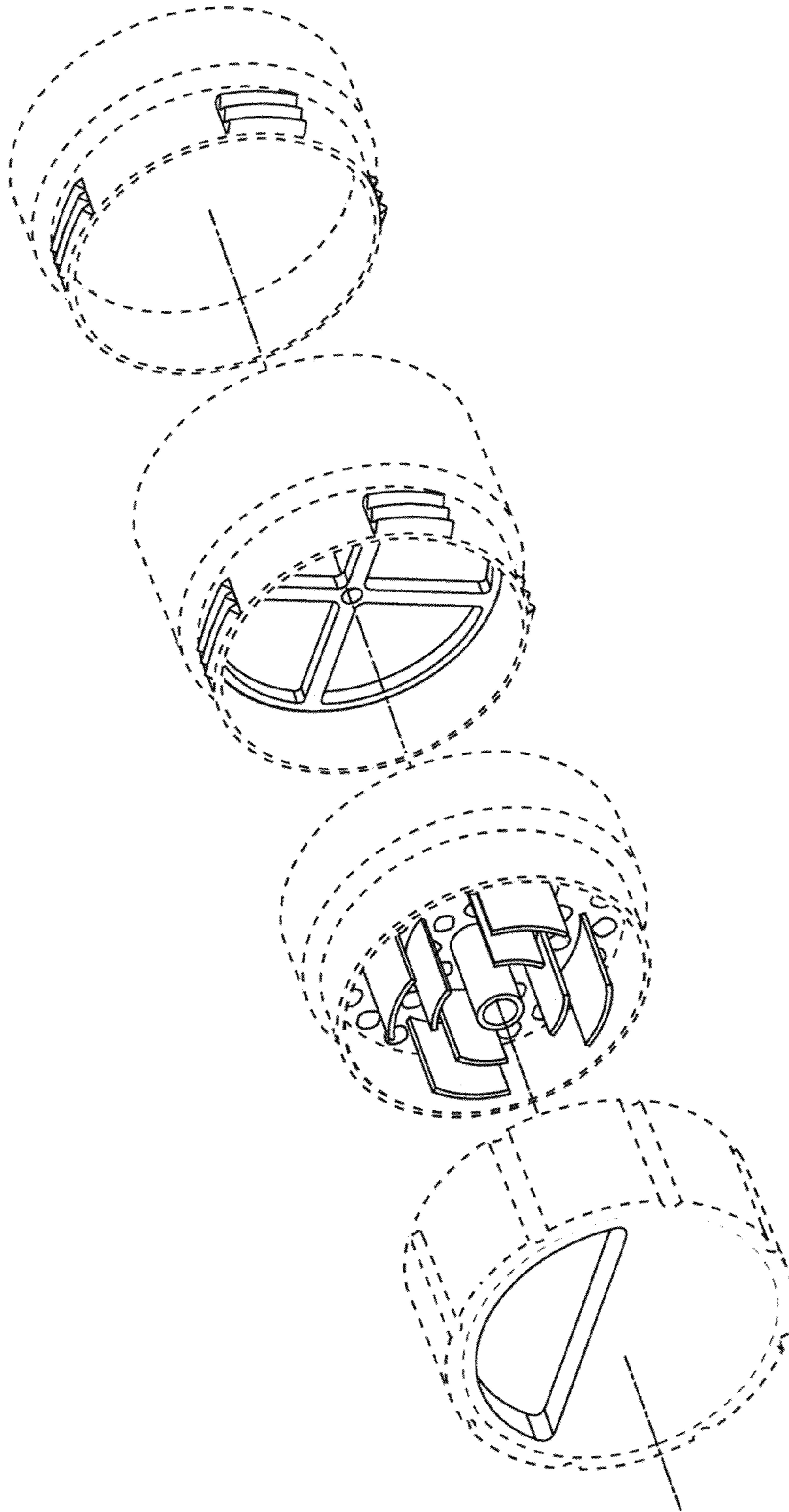


FIG. 8