



US00D714590S

(12) **United States Design Patent**  
**Liotta et al.**

(10) **Patent No.:** **US D714,590 S**  
(45) **Date of Patent:** **\*\* Oct. 7, 2014**

(54) **MUG**  
(71) Applicant: **Geeknet, Inc.**, Fairfax, VA (US)  
(72) Inventors: **Tyson Liotta**, Rockville, MD (US);  
**William Yonkers**, Arlington, VA (US)  
(73) Assignee: **Geeknet, Inc.**, Fairfax, VA (US)  
(\*\*) Term: **14 Years**

5,098,328 A *	3/1992	Beerens	.....	446/128
D377,887 S *	2/1997	Credle, Jr.	.....	D7/625
6,431,406 B1 *	8/2002	Pruett	.....	222/210
D533,747 S *	12/2006	Jin	.....	D7/510
D543,416 S *	5/2007	Gluck	.....	D7/533
D557,562 S *	12/2007	Kramer et al.	.....	D7/533
D563,236 S *	3/2008	Claffey	.....	D9/600
D594,699 S *	6/2009	Spivey et al.	.....	D7/510
D606,809 S *	12/2009	Fletcher	.....	D7/514
D615,819 S *	5/2010	Wang Chen	.....	D7/536
8,382,548 B2 *	2/2013	Maggiore et al.	.....	446/120
8,657,288 B2 *	2/2014	Fletcher et al.	.....	273/157 R

(21) Appl. No.: **29/458,452**  
(22) Filed: **Jun. 19, 2013**  
(51) **LOC (10) Cl.** ..... **07-01**  
(52) **U.S. Cl.**  
USPC ..... **D7/536; D7/515**  
(58) **Field of Classification Search**  
USPC ..... D7/510, 511, 512, 523, 507, 533, 536,  
D7/509, 515, 514; 220/8, 92, 714, 666,  
220/23.83, 719, 713; 215/11.5, 398;  
206/218; D24/197; D21/500; 446/71,  
446/120, 128  
See application file for complete search history.

\* cited by examiner

*Primary Examiner* — Marianne Pandozzi

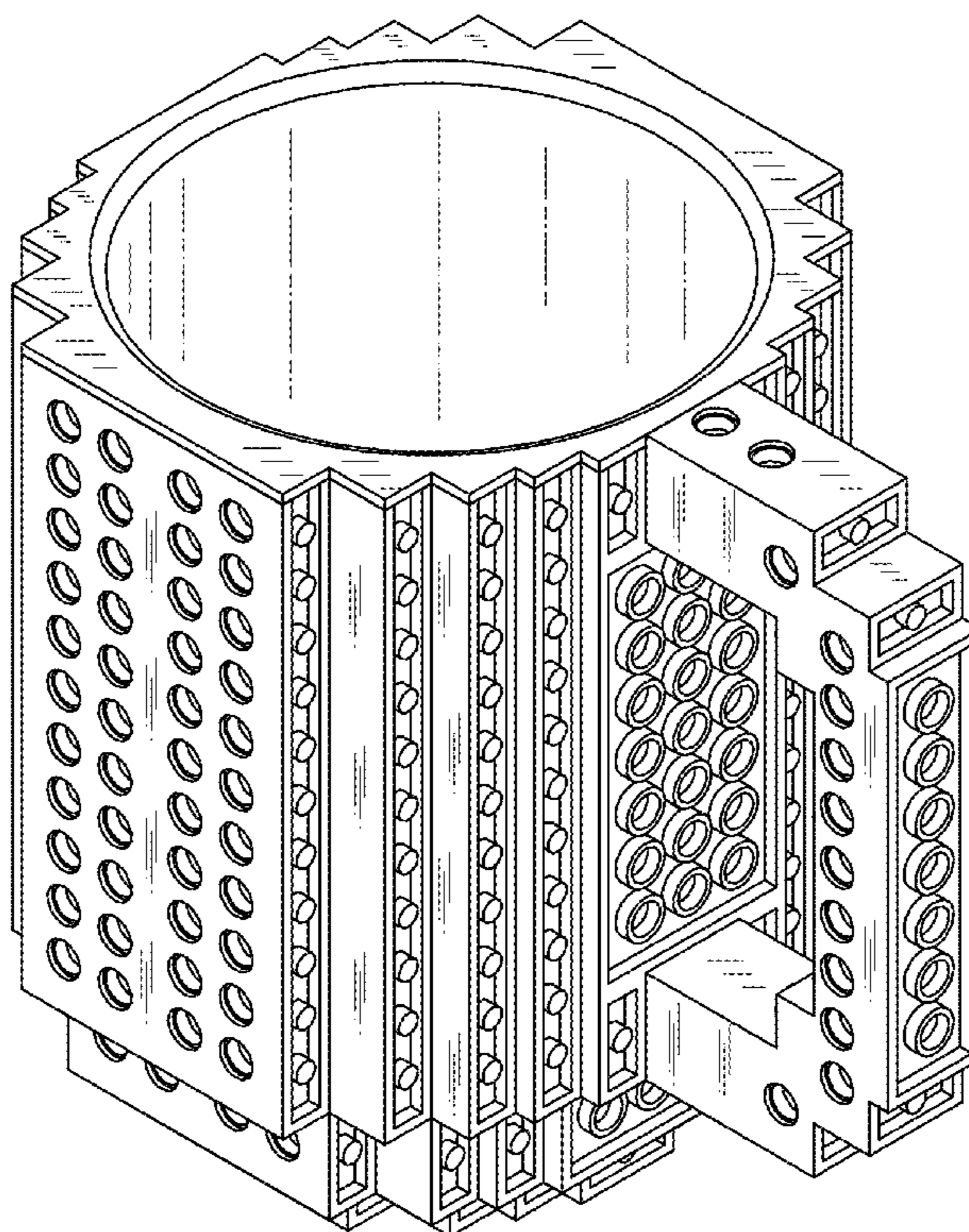
(57) **CLAIM**  
The ornamental design for a mug, as shown and described.

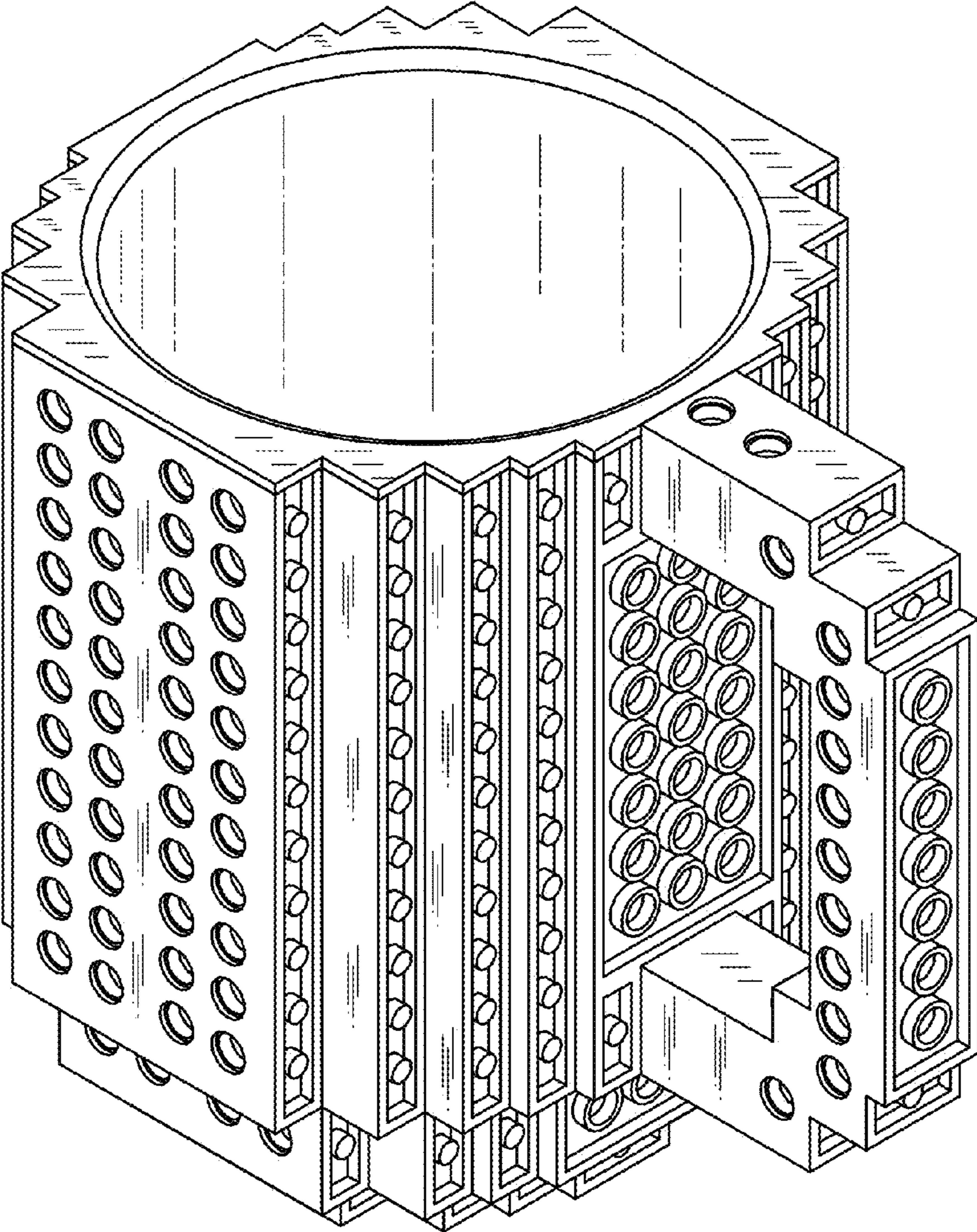
**DESCRIPTION**

FIG. 1 is a top right rear perspective view of a mug showing our new design;  
FIG. 2 is a top right front perspective view thereof;  
FIG. 3 is a bottom right rear perspective view thereof;  
FIG. 4 is a bottom right front perspective view thereof;  
FIG. 5 is a right side elevation view thereof;  
FIG. 6 is a rear elevation view thereof;  
FIG. 7 is a left side elevation view thereof;  
FIG. 8 is a front elevation view thereof;  
FIG. 9 is a top plan view thereof; and,  
FIG. 10 is a bottom plan view thereof.

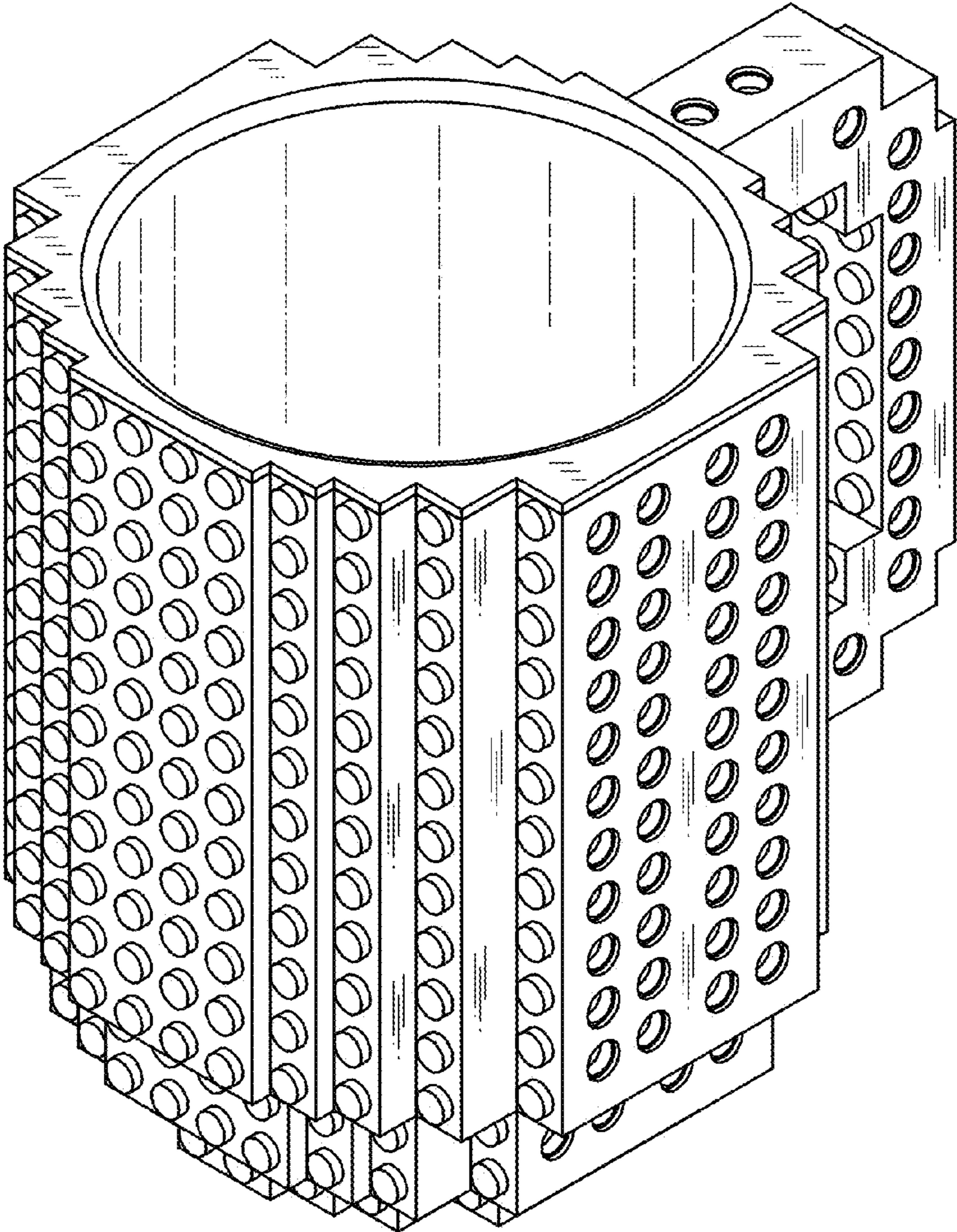
(56) **References Cited**  
U.S. PATENT DOCUMENTS  
3,005,282 A \* 10/1961 Christiansen ..... 446/128  
D230,187 S \* 1/1974 Schultz ..... D26/11  
D279,915 S \* 7/1985 Arnau Pibet ..... D21/500

**1 Claim, 10 Drawing Sheets**

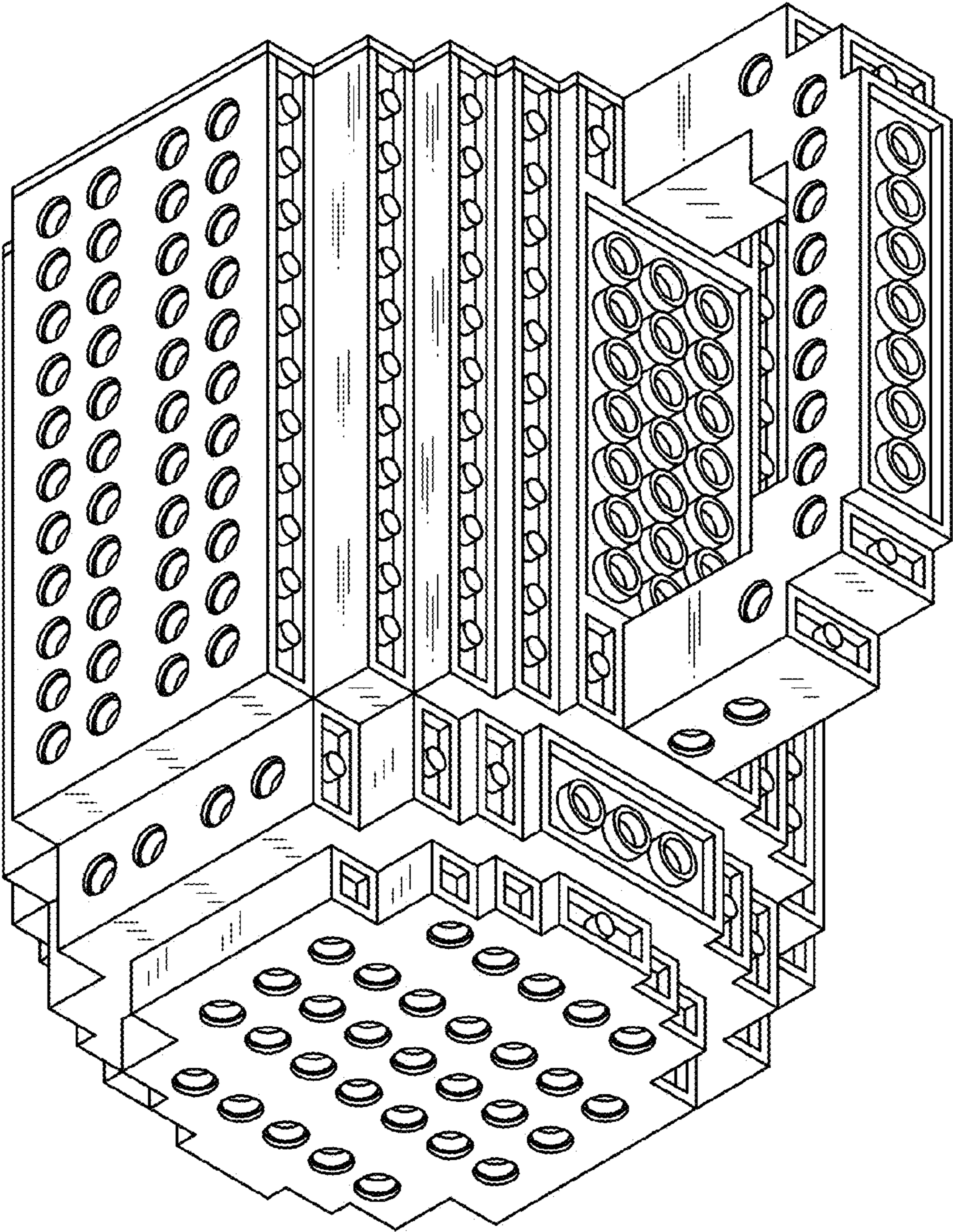




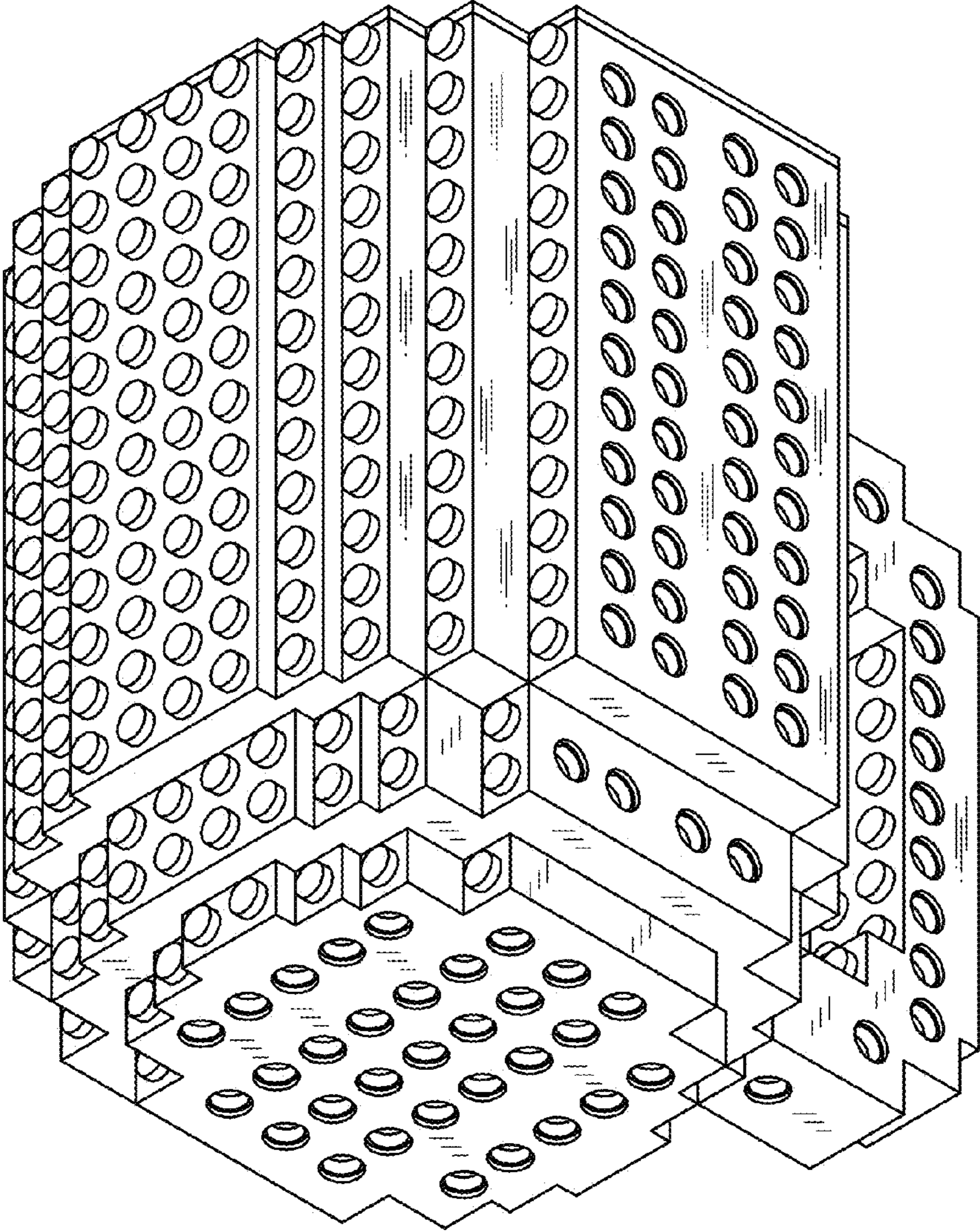
**FIG. 1**



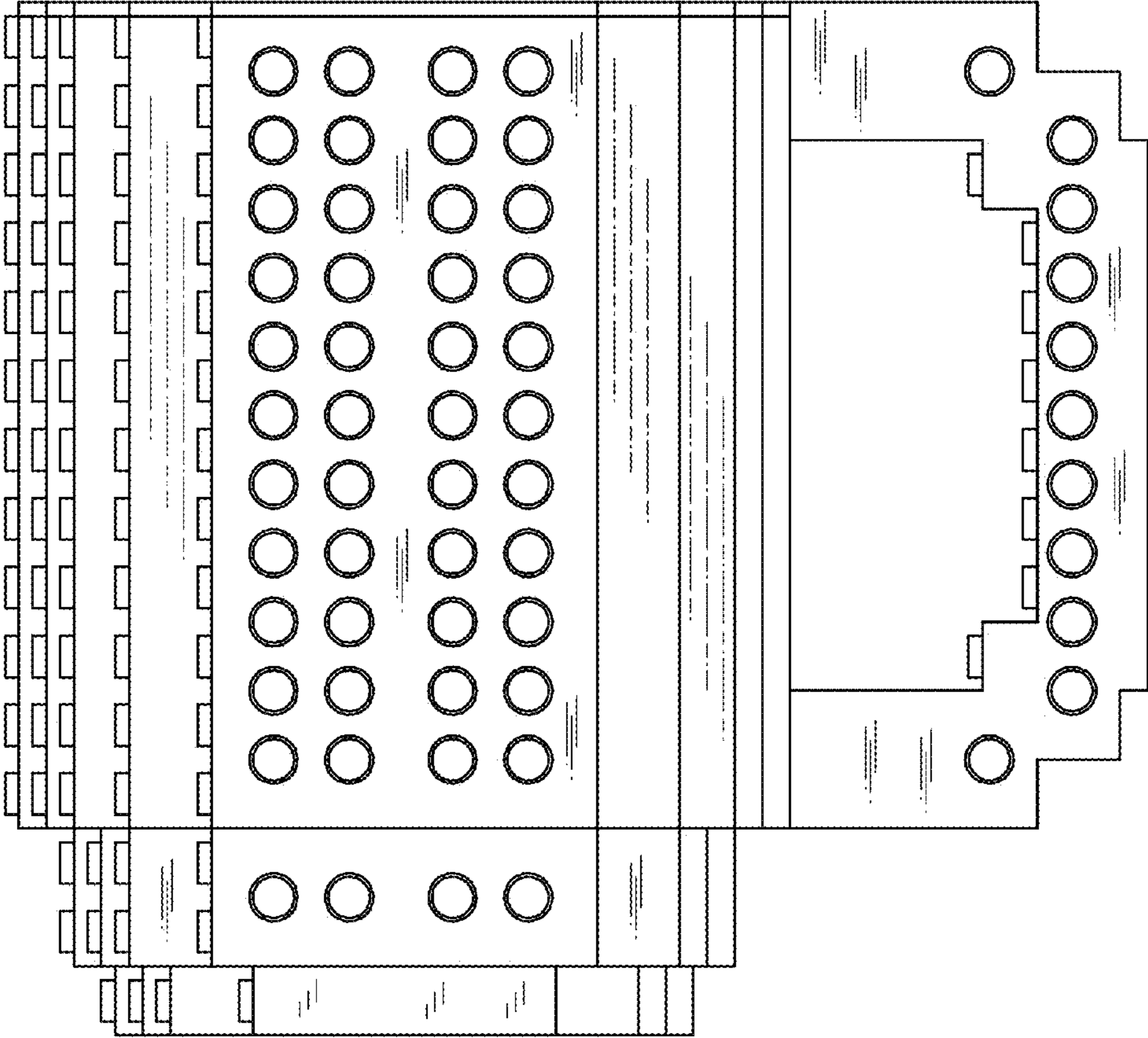
**FIG. 2**



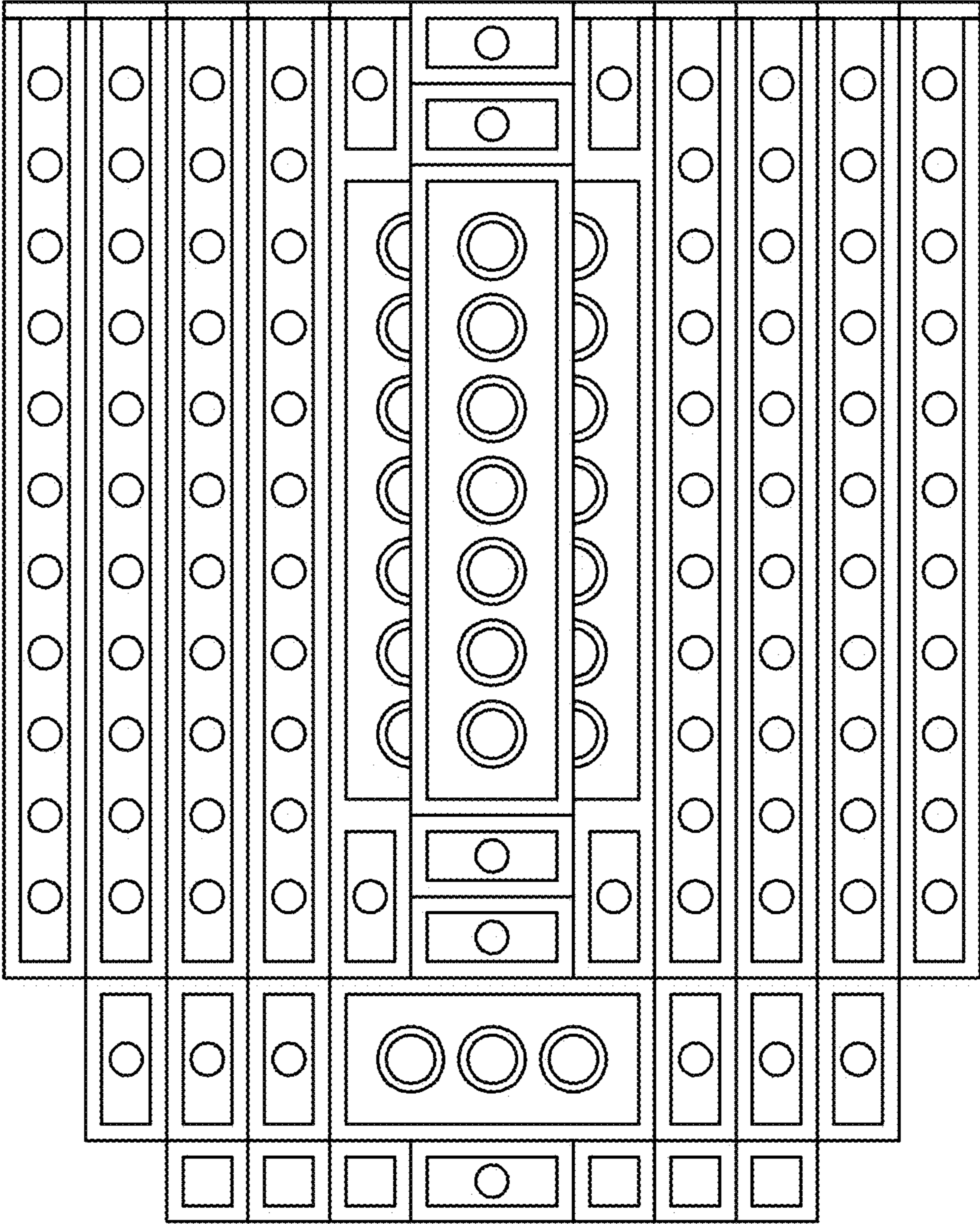
**FIG. 3**



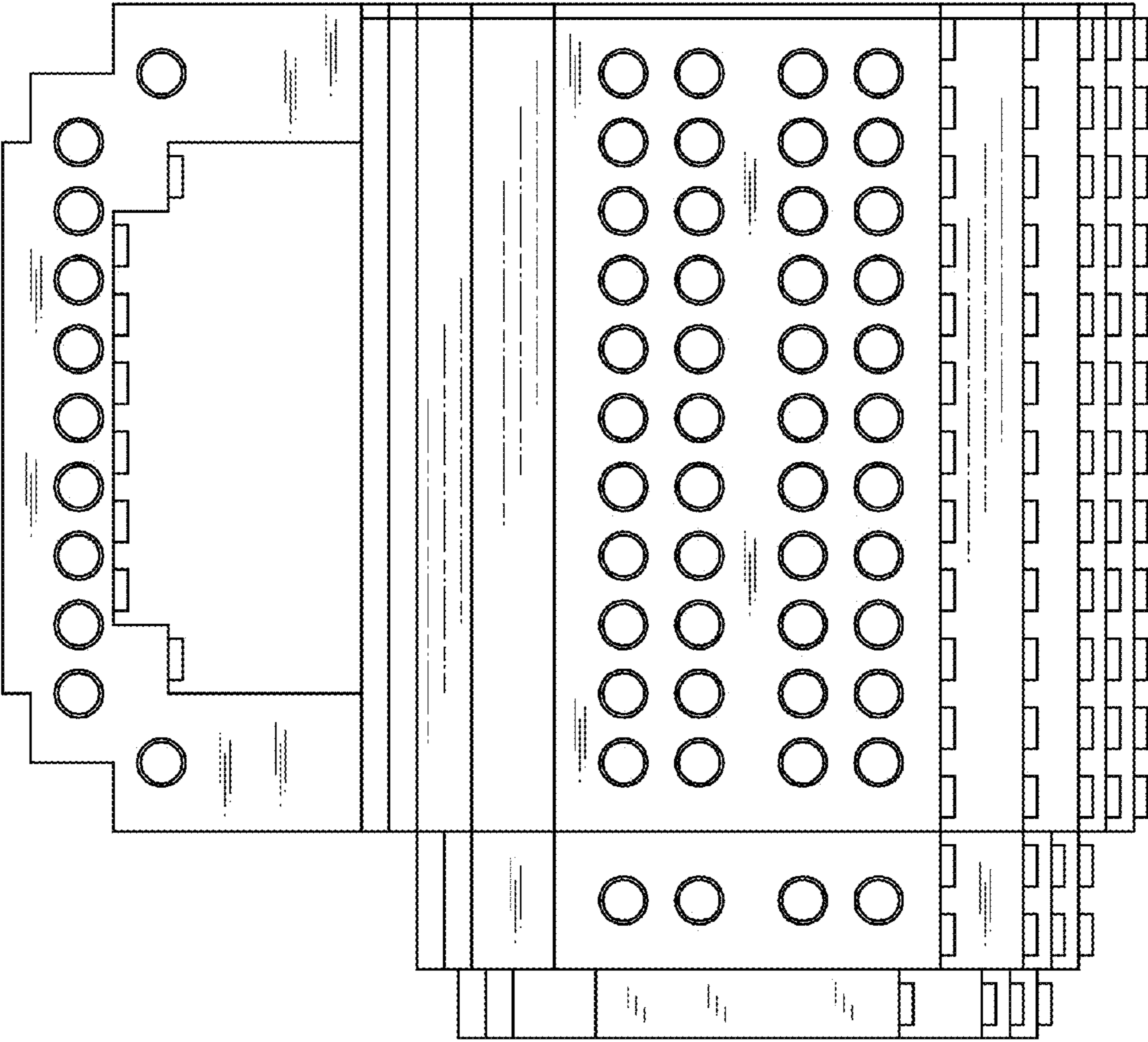
**FIG. 4**



**FIG. 5**

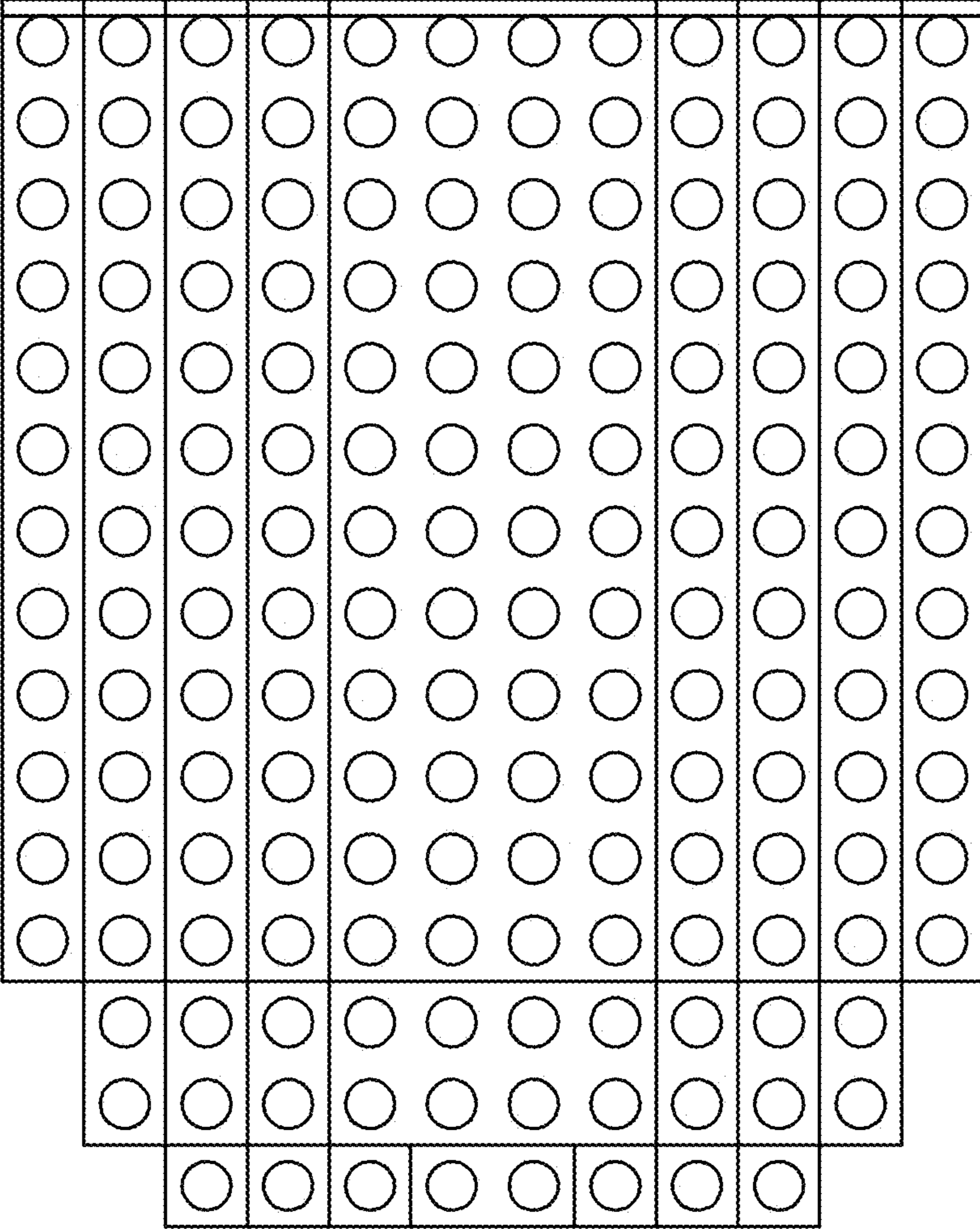


**FIG. 6**

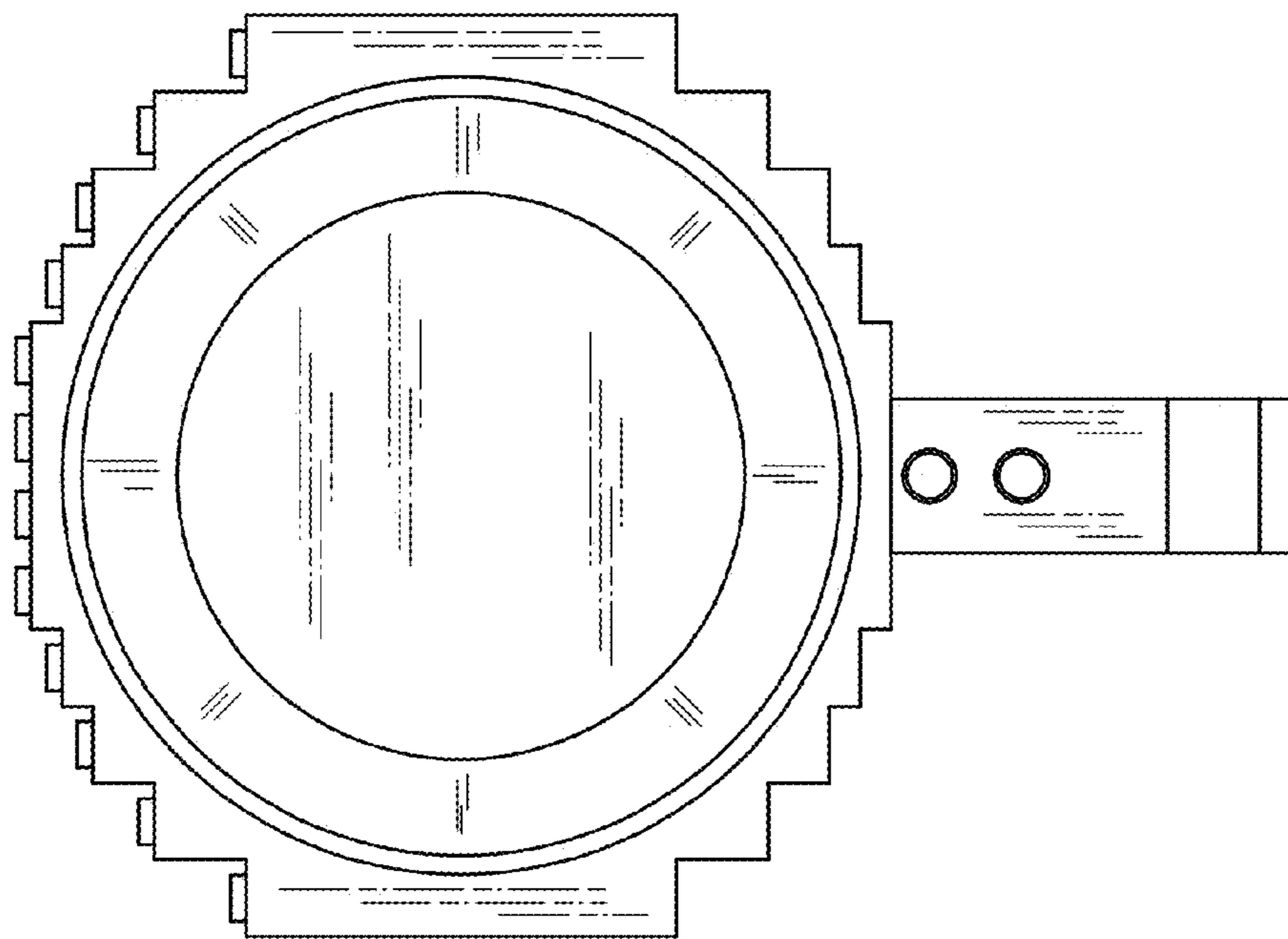


**FIG. 7**

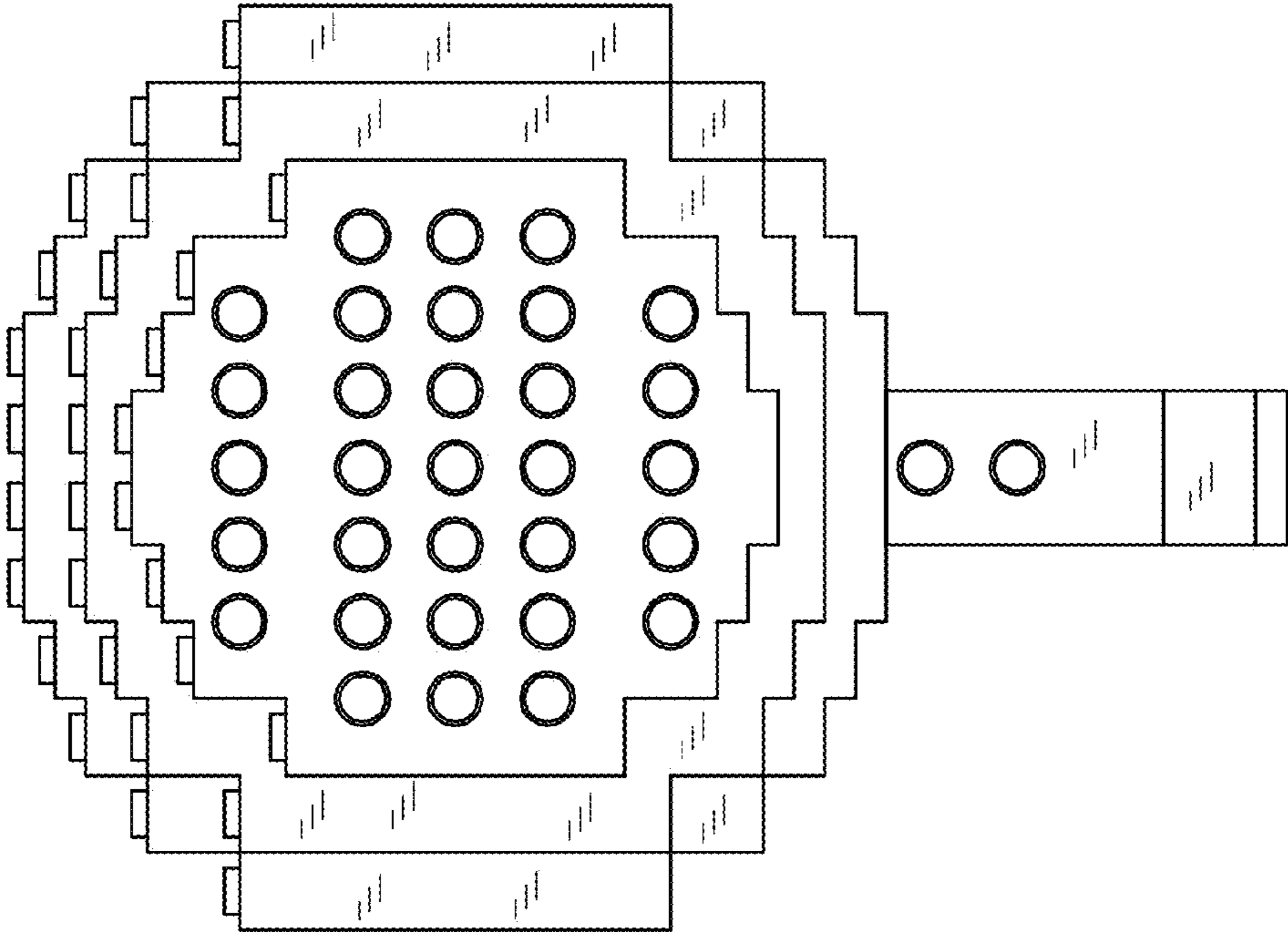




**FIG. 8**



***FIG. 9***



***FIG. 10***