



US00D714589S

(12) **United States Design Patent**
Uchida

(10) **Patent No.:** **US D714,589 S**
(45) **Date of Patent:** **** Oct. 7, 2014**

(54) **DRINKING GLASS**

(71) Applicant: **CIC Corporation**, Aichi (JP)

(72) Inventor: **Masahiro Uchida**, Aichi (JP)

(73) Assignee: **CIC Corporation**, Okazaki-Shi, Aichi (JP)

(**) Term: **14 Years**

(21) Appl. No.: **29/457,192**

(22) Filed: **Jun. 7, 2013**

(30) **Foreign Application Priority Data**

Dec. 17, 2012 (JP) 2012-030713
Dec. 17, 2012 (JP) 2012-030714

(51) **LOC (10) Cl.** **07-01**

(52) **U.S. Cl.**
USPC **D7/523**

(58) **Field of Classification Search**

USPC D7/500, 507, 509, 511, 523, 524, 525,
D7/527, 530, 531, 532, 533, 534; D9/556,
D9/569, 716; D11/155; D34/1; 229/400
See application file for complete search history.

(56) **References Cited**

U.S. PATENT DOCUMENTS

D94,553 S * 2/1935 Marquot D7/531
D293,869 S * 1/1988 Durand D7/531
D308,318 S * 6/1990 Durand D7/523
D340,385 S * 10/1993 Durand D7/509
D438,430 S * 3/2001 Gabrhel D7/523
D471,404 S * 3/2003 Gady D7/523
D519,785 S * 5/2006 Bodum D7/523
D550,033 S * 9/2007 Bodum D7/509
D550,034 S * 9/2007 Bodum D7/509
D565,354 S * 4/2008 Bodum D7/523

(Continued)

FOREIGN PATENT DOCUMENTS

JP 1251947 9/2005
JP D1494720 * 4/2013

OTHER PUBLICATIONS

CIC Corporation, <http://rayes-glass.com/SHOP/RDS-002.html>,
Mar. 10, 2012.

Primary Examiner — Susan Bennett Hattan

Assistant Examiner — Leanne Was

(74) *Attorney, Agent, or Firm* — Lowe Hauptman & Ham,
LLP

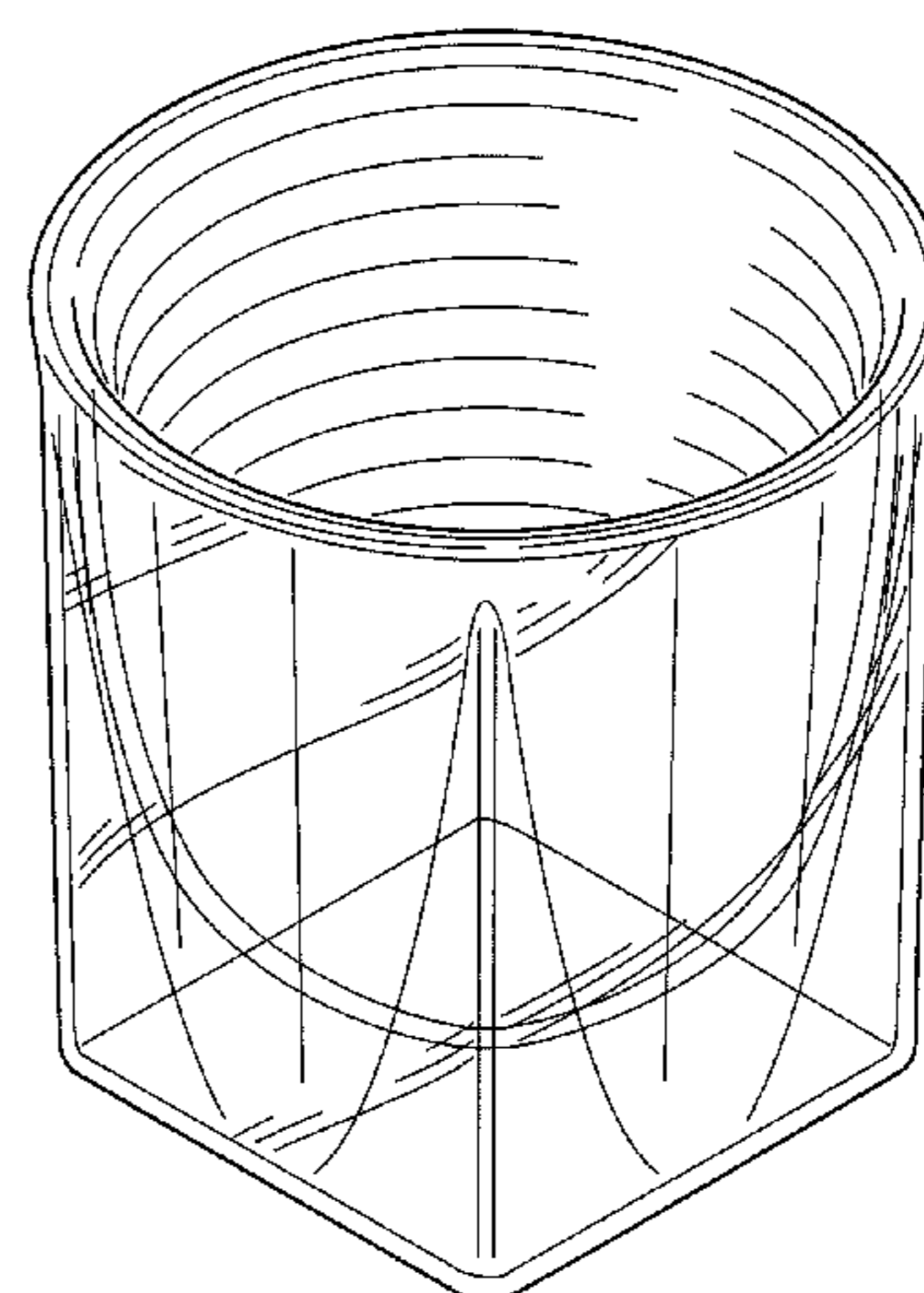
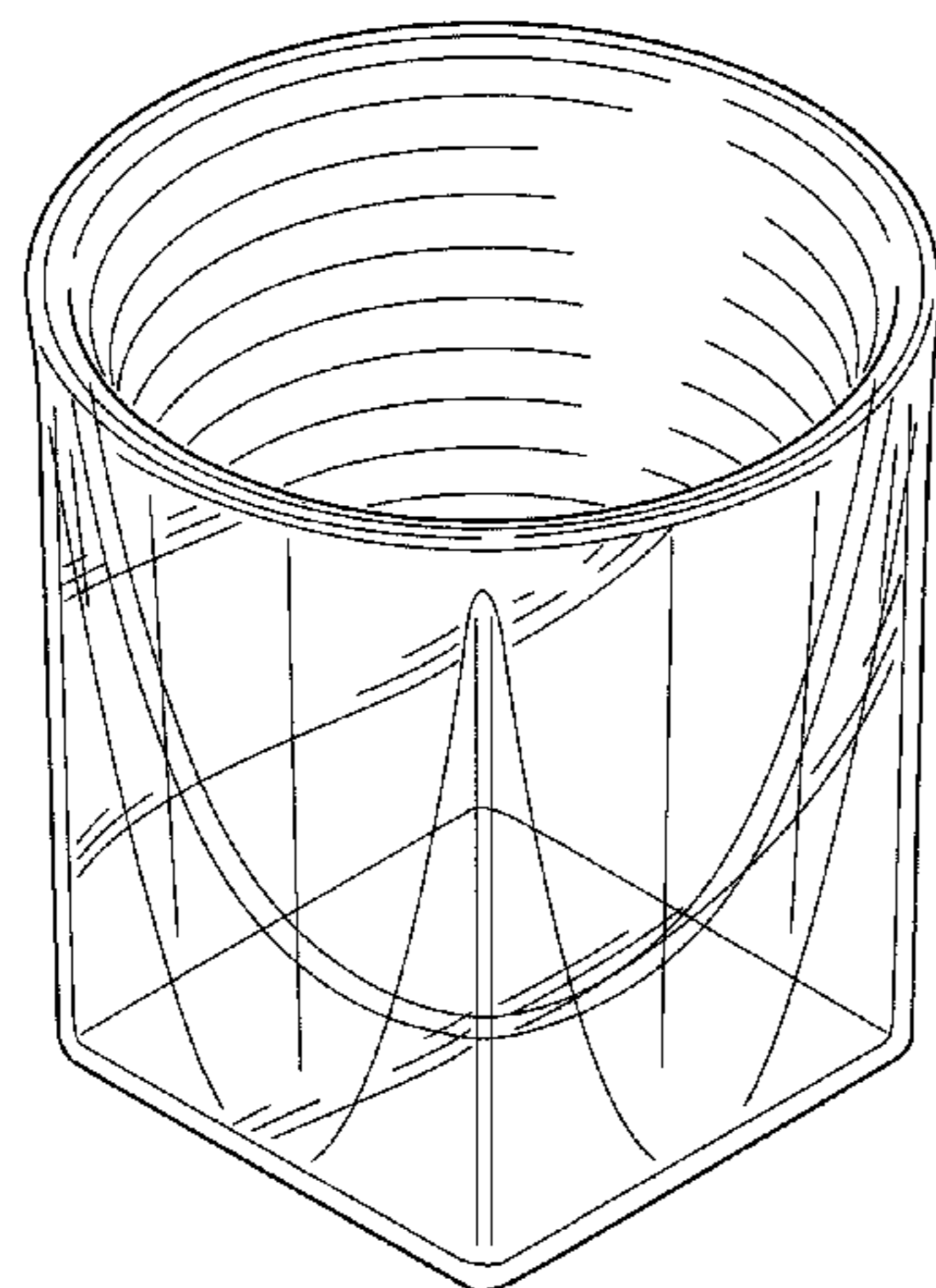
(57) **CLAIM**

The ornamental design for a drinking glass, as shown and described.

DESCRIPTION

FIG. 1 is a front view of the drinking glass showing my new design;
FIG. 2 is a top plan view thereof;
FIG. 3 is a bottom view thereof;
FIG. 4 is a perspective view thereof;
FIG. 5 is a cross-sectional view taken along line 5-5 in FIG. 1;
FIG. 6 is a front view of the second embodiment thereof;
FIG. 7 is a plane view of the second embodiment thereof;
FIG. 8 is a bottom view of the second embodiment thereof;
FIG. 9 is a perspective view of the second embodiment thereof; and,
FIG. 10 is a cross-sectional view taken along line 10-10 in FIG. 6 of the second embodiment thereof.
The rear view, the left side view and the right side view of each embodiment are omitted because these views are identical to the front view of each embodiment.

1 Claim, 10 Drawing Sheets



(56)

References Cited

U.S. PATENT DOCUMENTS

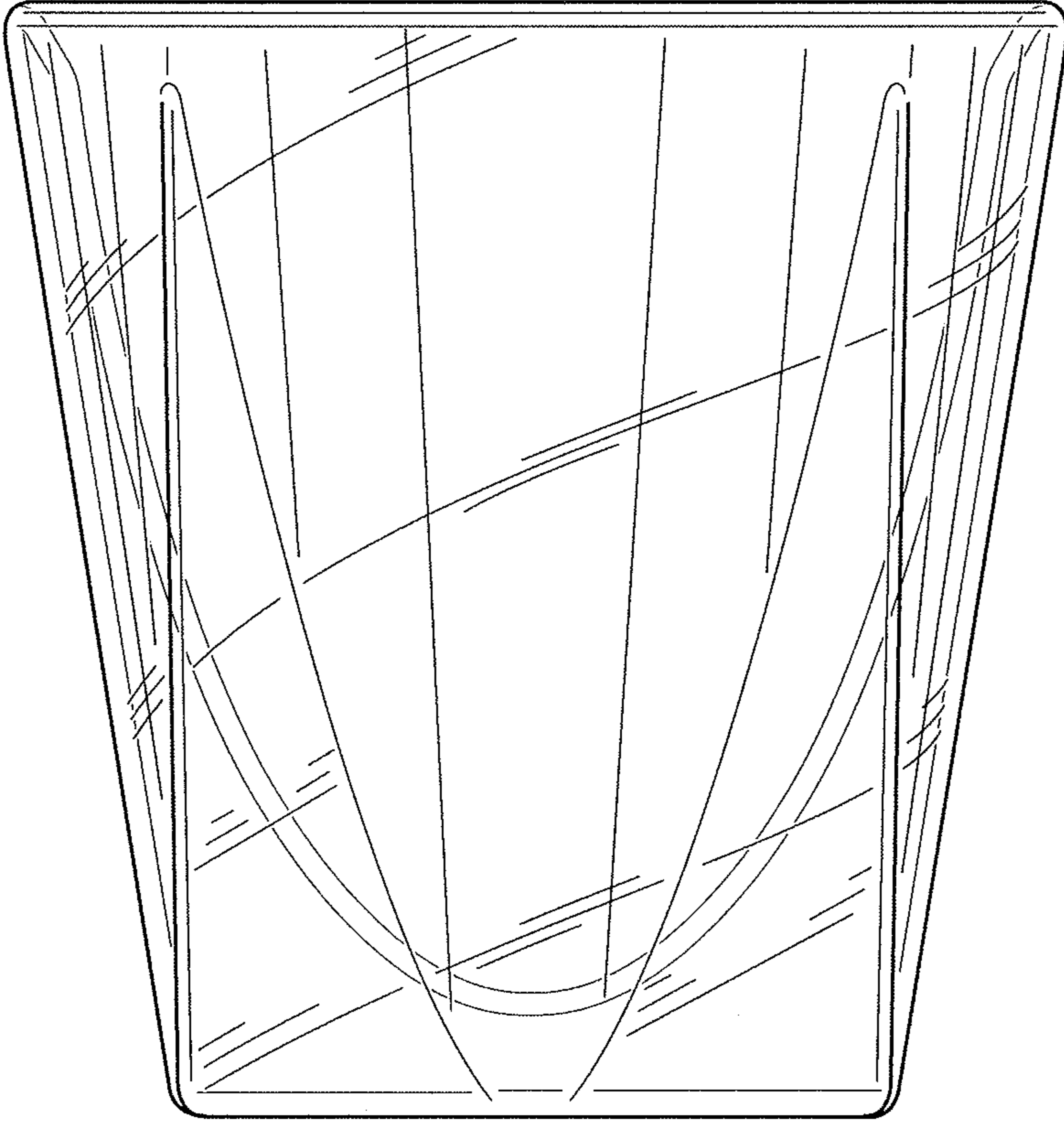
D595,090 S * 6/2009 Benson D7/531
D597,792 S * 8/2009 Lion et al. D7/523
D604,869 S * 11/2009 Kubicek D26/9
D605,315 S * 12/2009 Kubicek et al. D26/9

D613,996 S * 4/2010 Ross D7/523
D622,548 S * 8/2010 Jensen et al. D7/523
D659,472 S * 5/2012 D'Amato D7/509
D670,836 S * 11/2012 Hisey et al. 26/22
D698,603 S * 2/2014 Huckestein D7/523

* cited by examiner

FIG. 1

5 ←



5 ←

FIG. 2

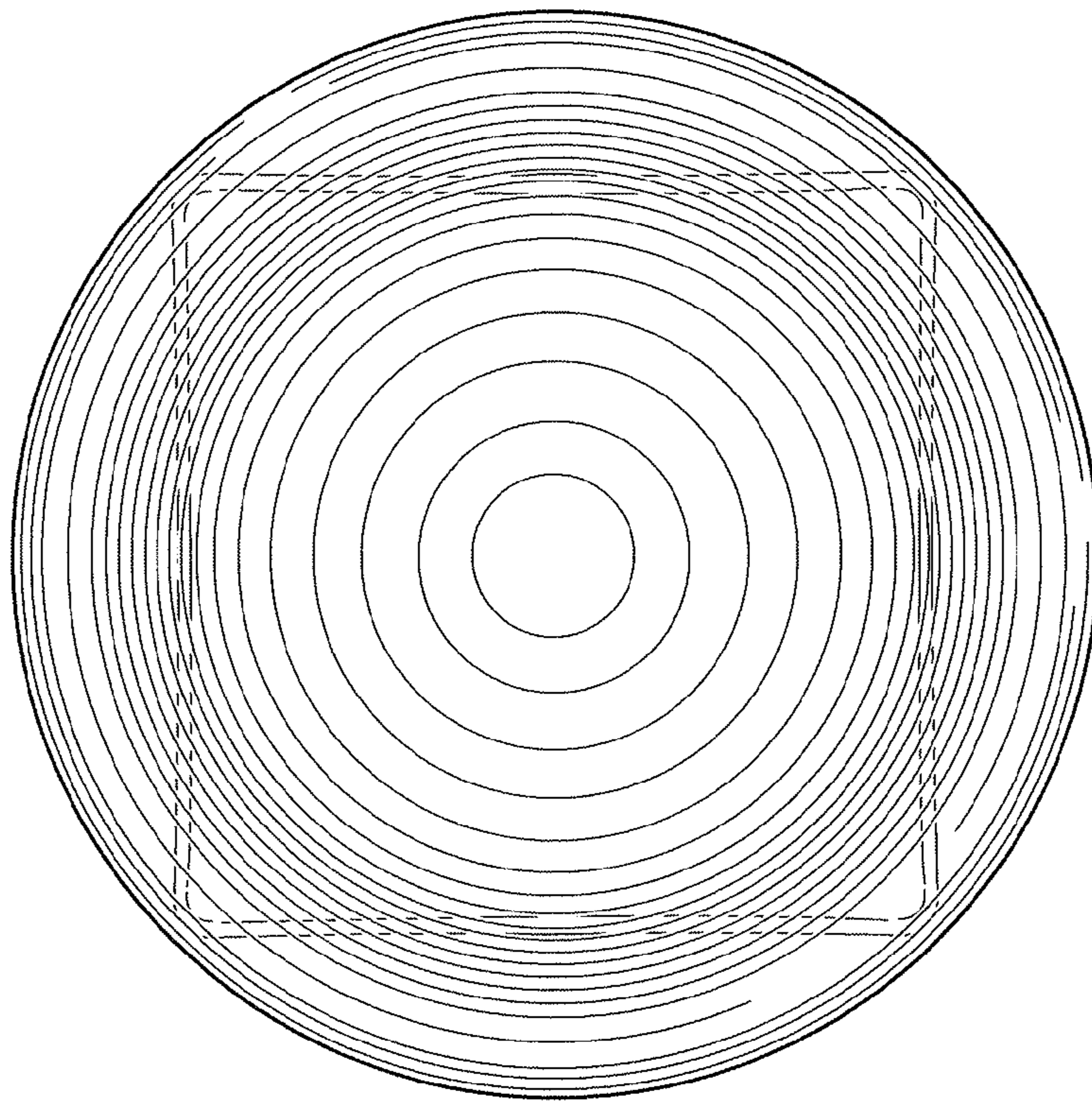


FIG. 3

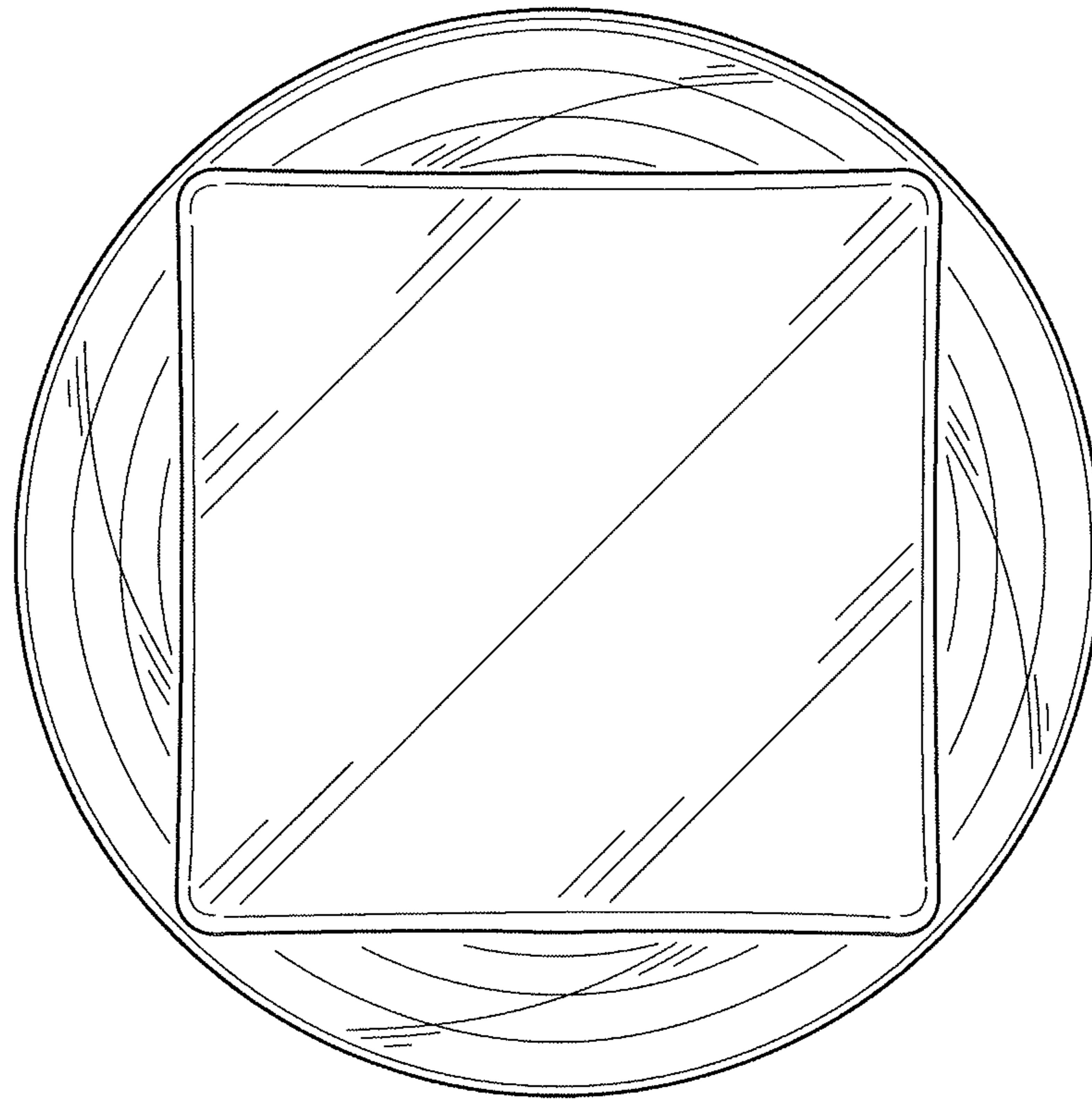


FIG. 4

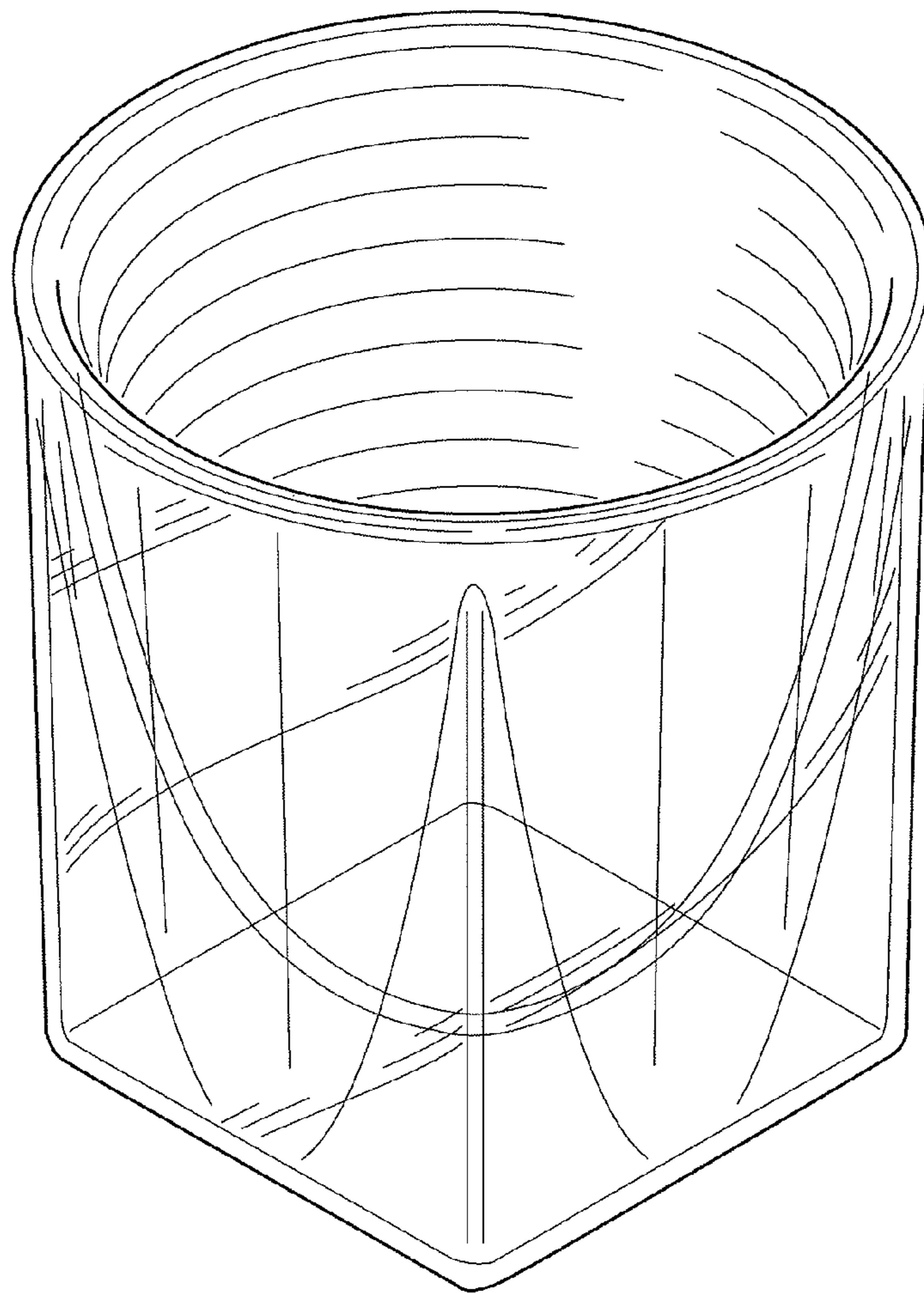


FIG. 5

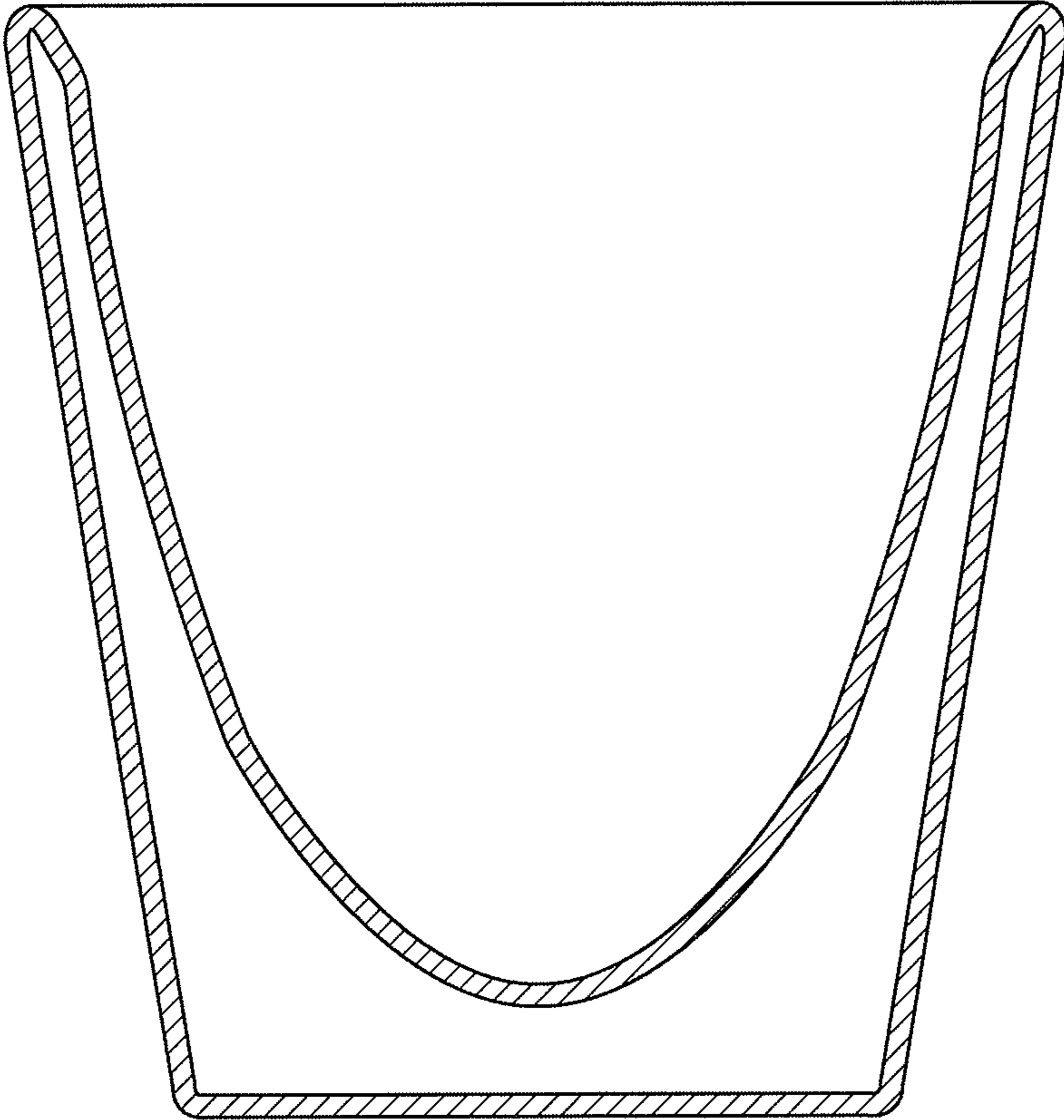


FIG. 6

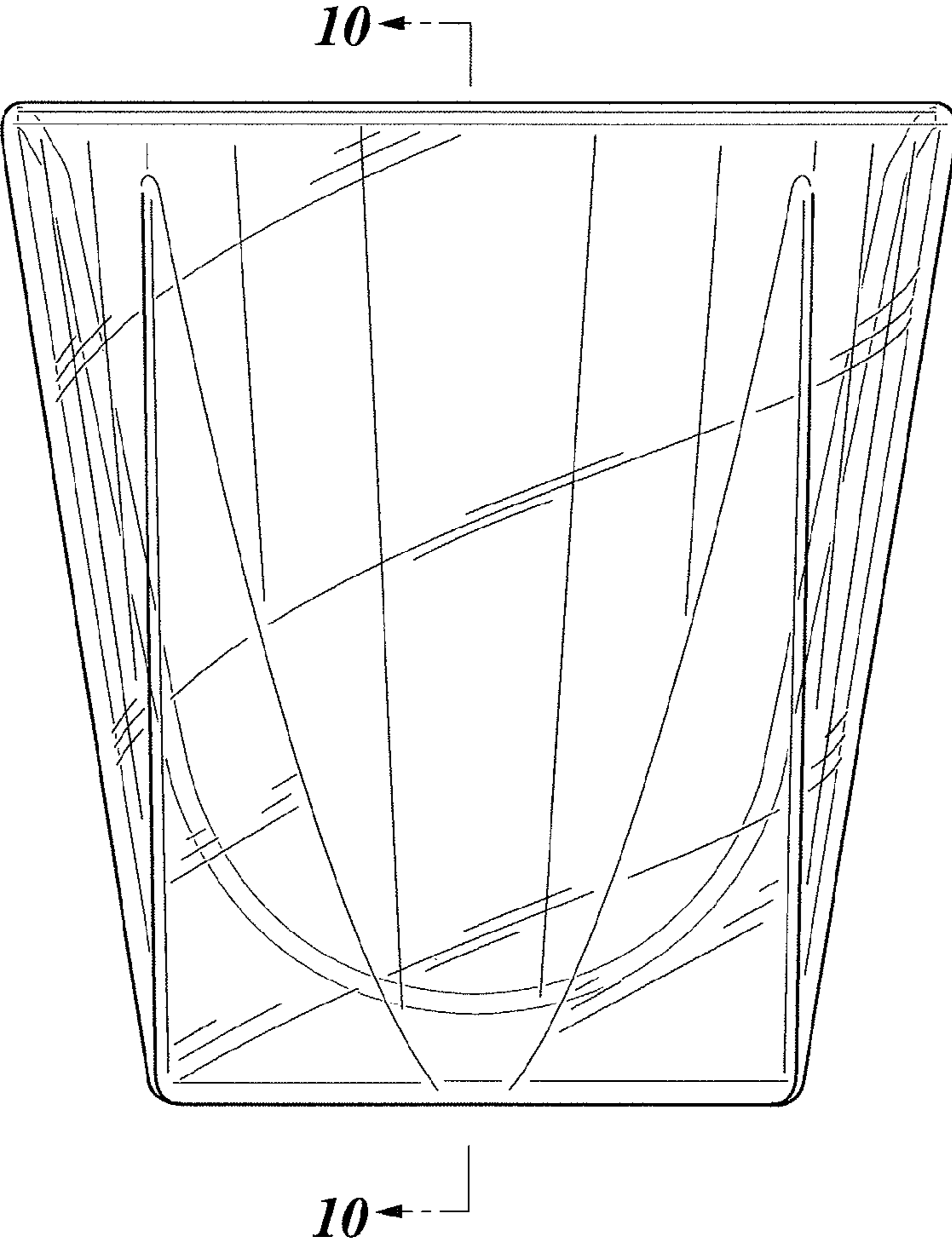


FIG. 7

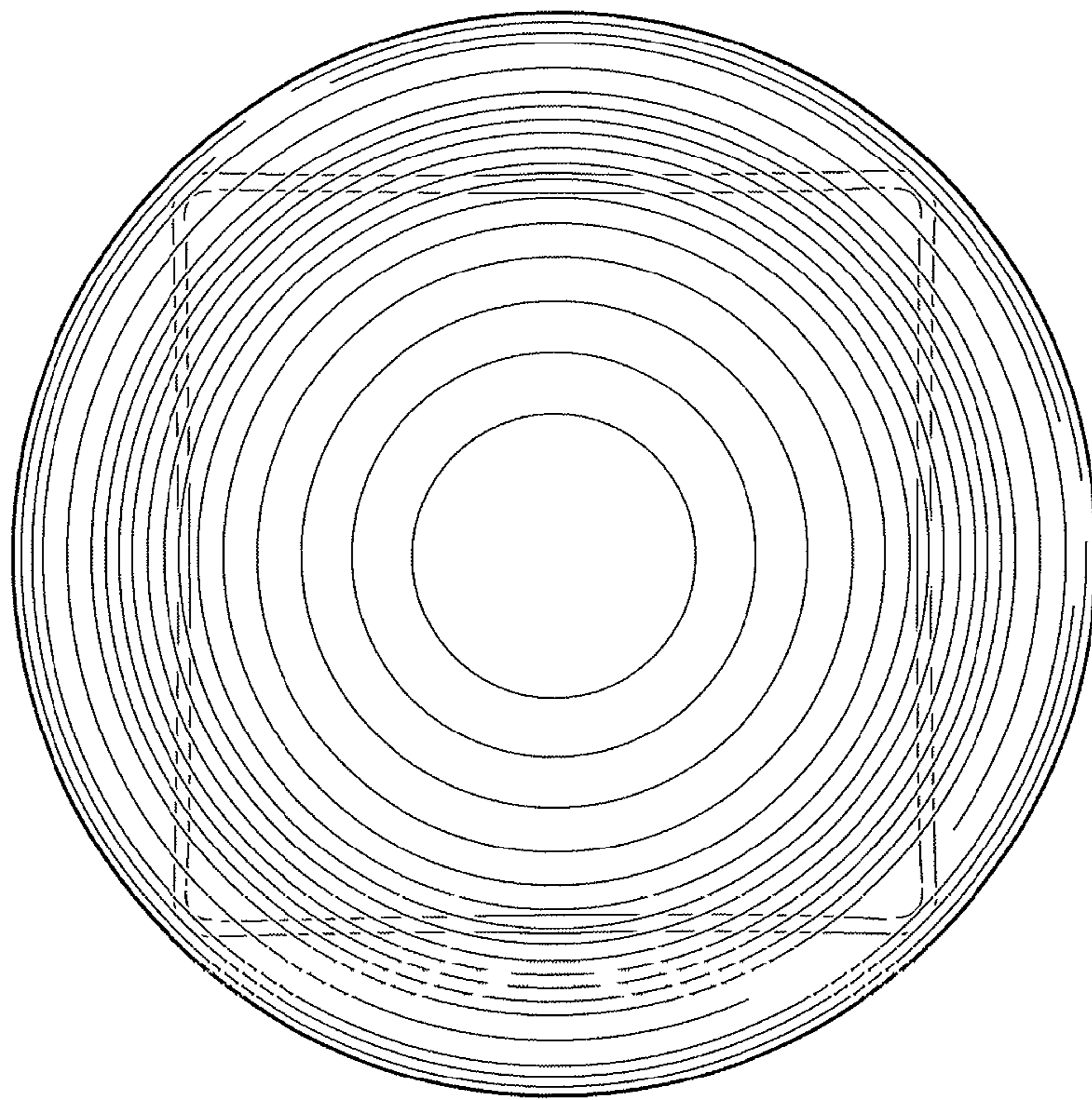


FIG. 8

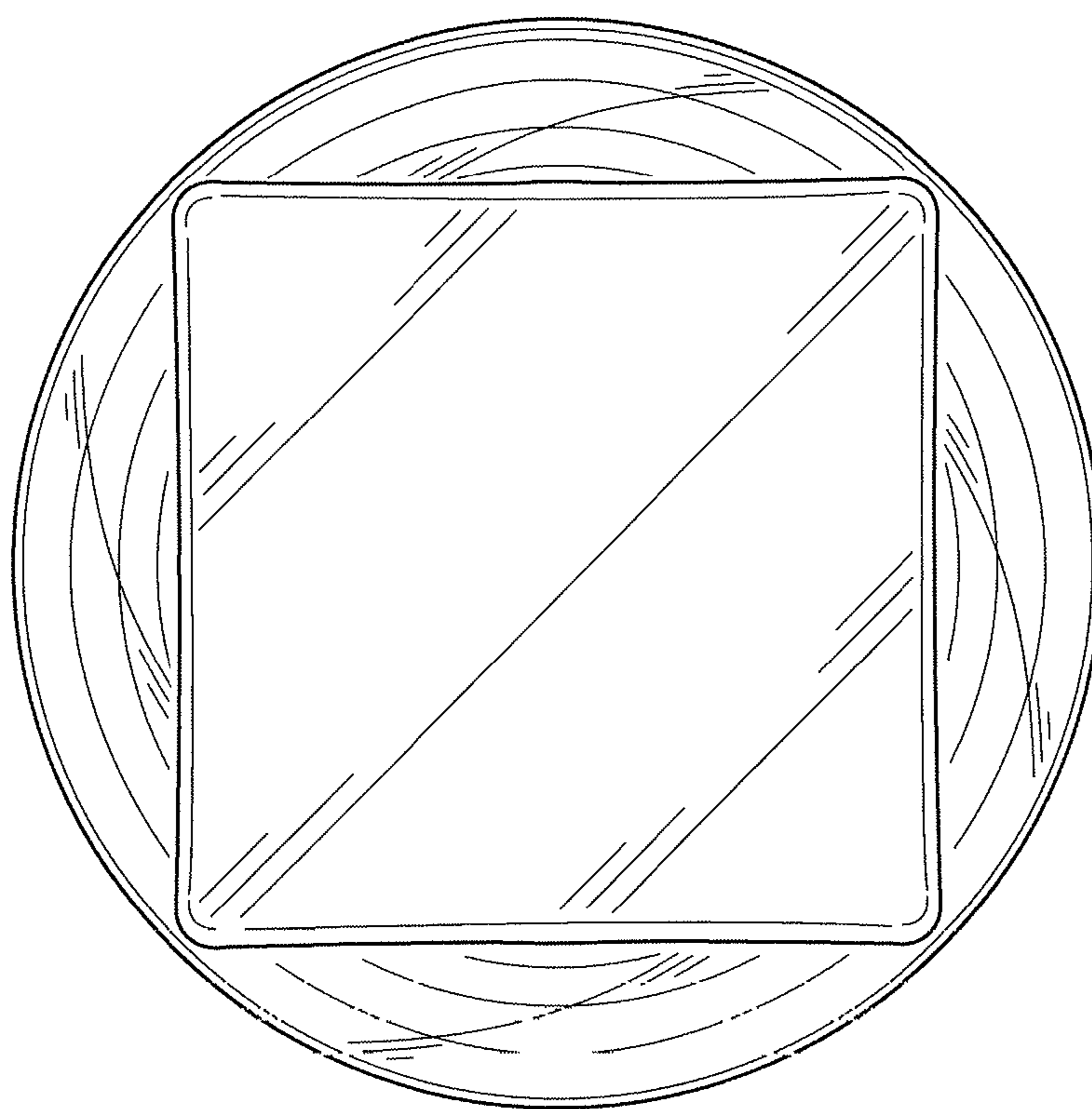


FIG. 9

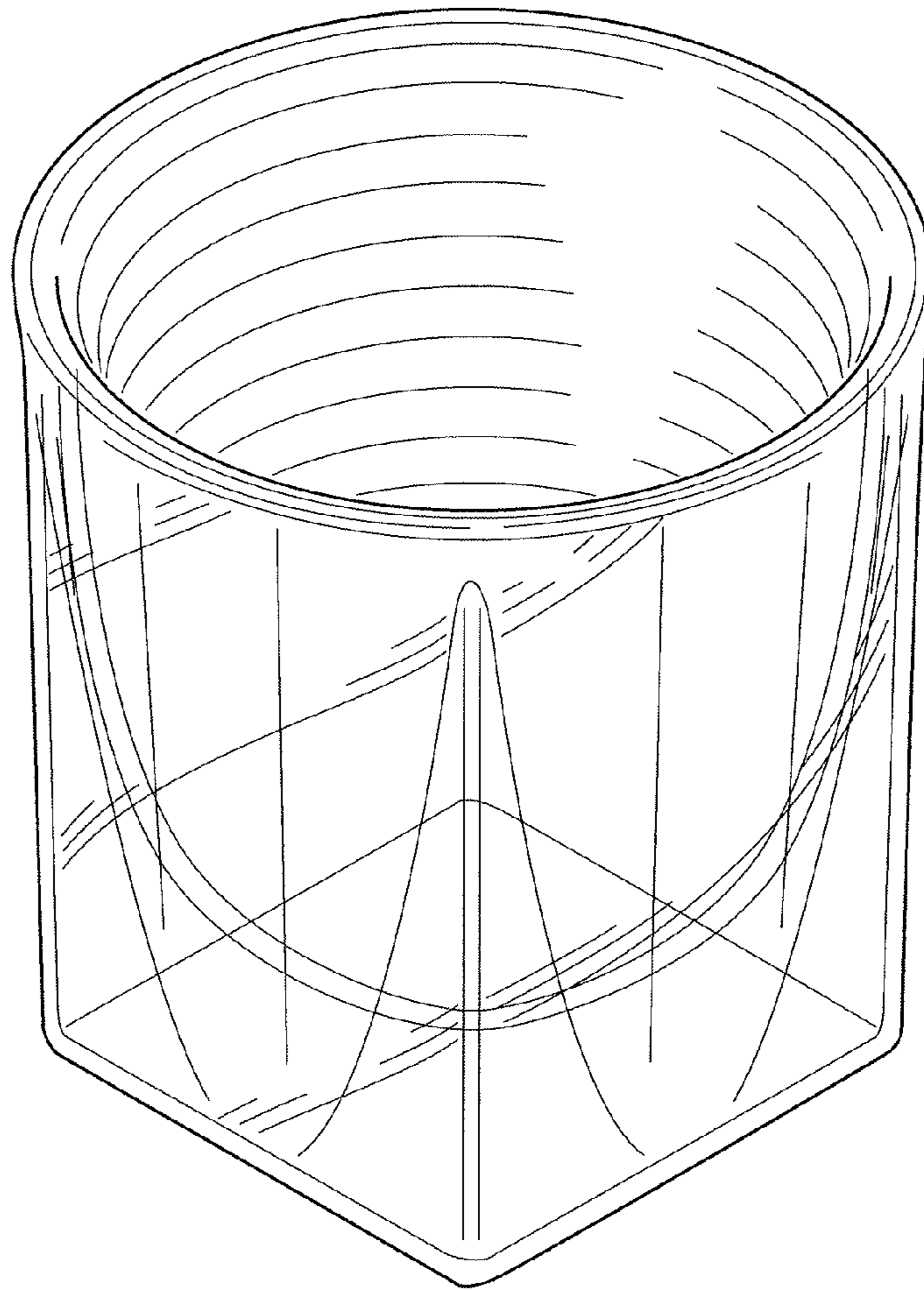


FIG. 10

