



US00D714587S

(12) **United States Design Patent**
Lipson

(10) **Patent No.:** **US D714,587 S**

(45) **Date of Patent:** **** Oct. 7, 2014**

(54) **GIFT BOX SHAPED CUP AND STRAW**

D584,959 S * 1/2009 Tinsley D9/635
D654,369 S * 2/2012 Del Cerro et al. D9/635
D664,041 S * 7/2012 Fauerbach D9/635
D682,681 S * 5/2013 Oxeer D9/432

(71) Applicant: **Erik Lipson**, Philadelphia, PA (US)

(72) Inventor: **Erik Lipson**, Philadelphia, PA (US)

* cited by examiner

(**) Term: **14 Years**

Primary Examiner — Marianne Pandozzi

(21) Appl. No.: **29/460,116**

(74) *Attorney, Agent, or Firm* — Gifford, Krass, Sprinkle,
Anderson & Citkowski, P.C.

(22) Filed: **Jul. 8, 2013**

(51) **LOC (10) Cl.** **07-01**

(52) **U.S. Cl.**
USPC **D7/507; D7/510; D7/511; D7/515;**
D9/635

(57) **CLAIM**

The ornamental design for a gift box shaped cup and straw, as shown and described.

(58) **Field of Classification Search**

USPC **D7/510, 511, 507, 515, 514, 606;**
D3/20; D9/635, 643; 293/33;
299/103.1

DESCRIPTION

See application file for complete search history.

FIG. 1 is a perspective view from the top right corner of a gift box shaped cup and straw;

FIG. 2 is a front view of the gift box shaped cup and straw in FIG. 1;

FIG. 3 is a rear view of the gift box shaped cup and straw in FIG. 1;

FIG. 4 is a left side view of the gift box shaped cup and straw in FIG. 1;

FIG. 5 is a right side view of the gift box shaped cup and straw in FIG. 1;

FIG. 6 is a top view of the gift box shaped cup and straw in FIG. 1; and,

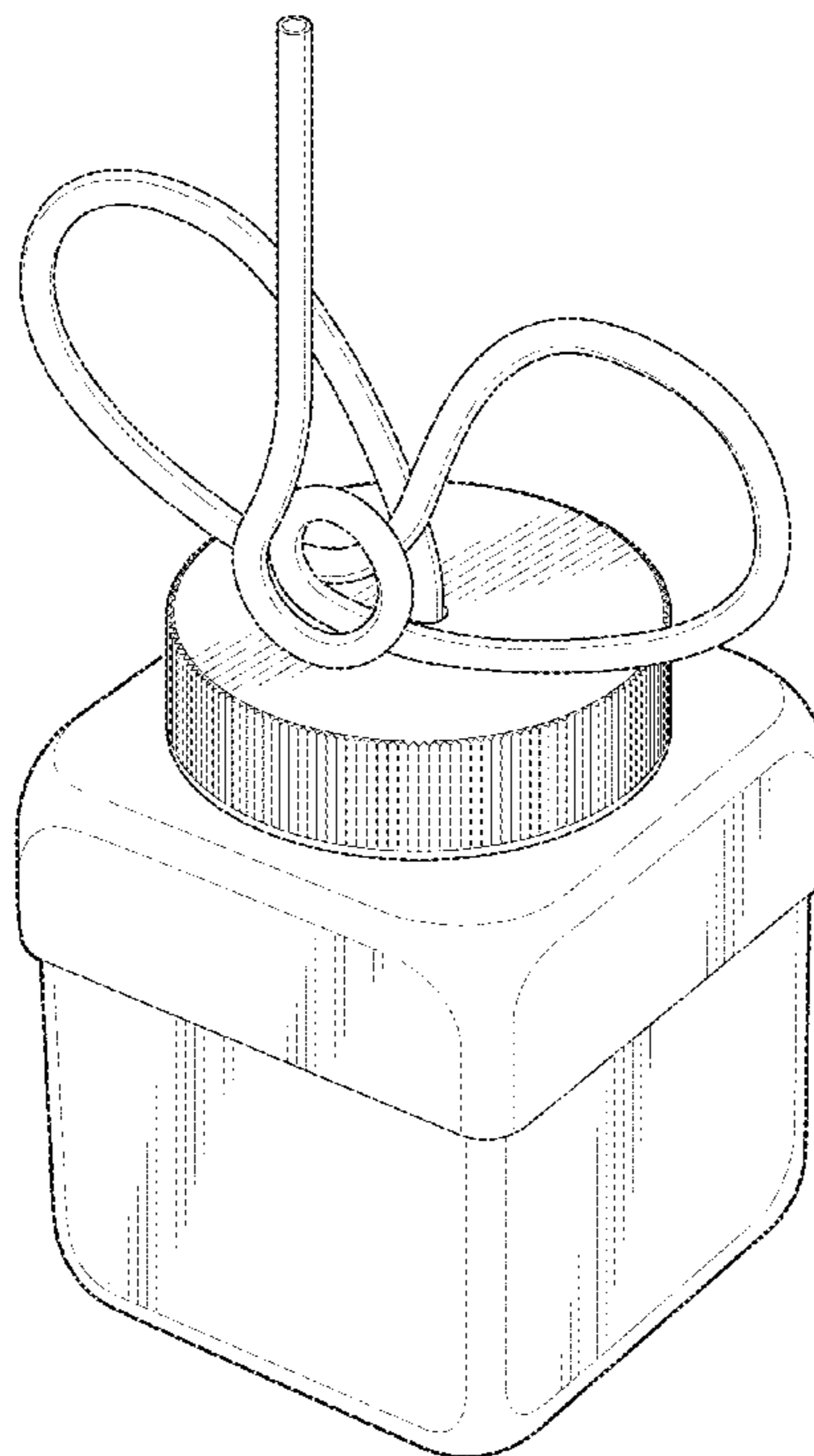
FIG. 7 is bottom view of the gift box shaped cup and straw in FIG. 1.

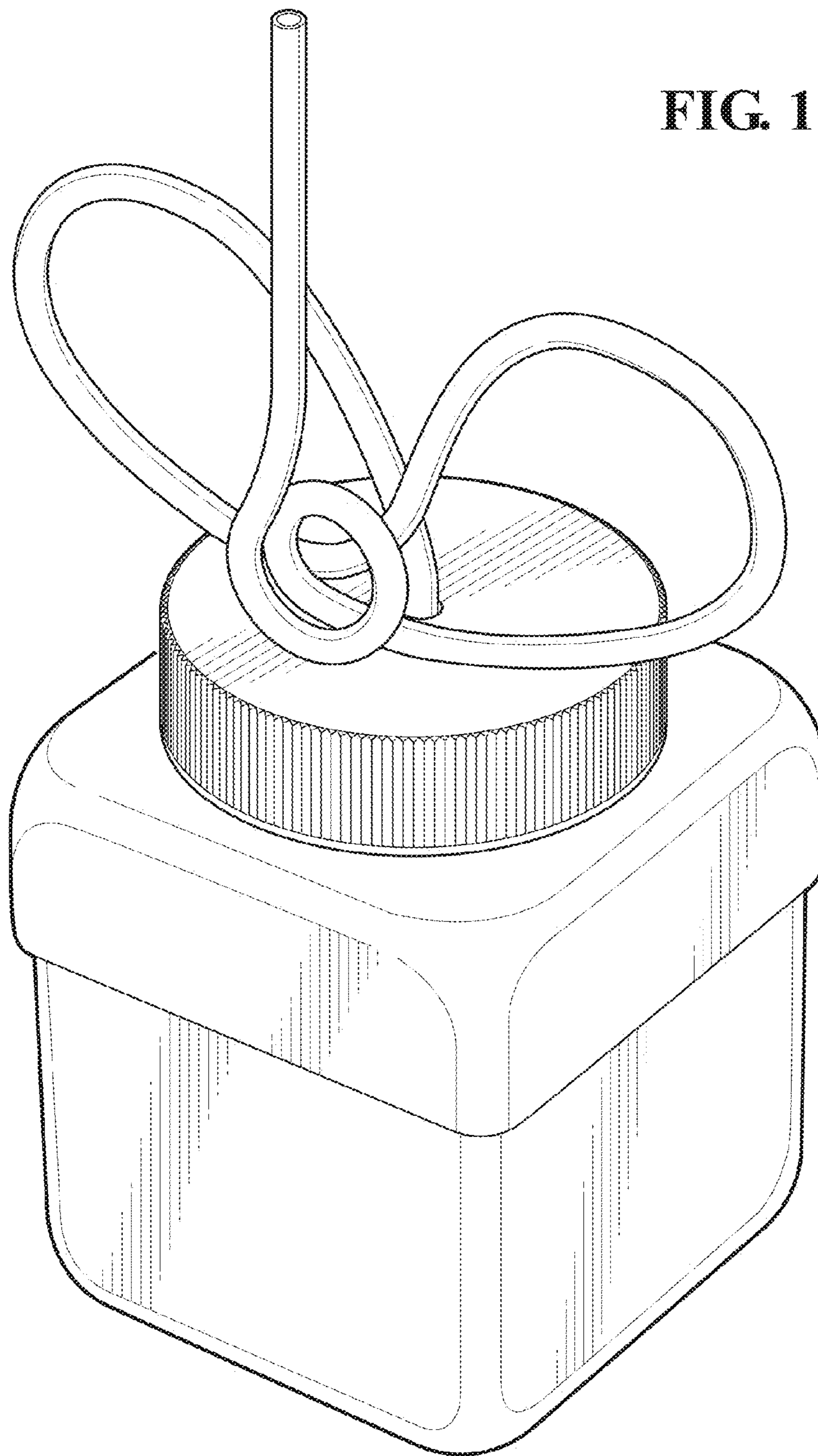
(56) **References Cited**

U.S. PATENT DOCUMENTS

1,735,191 A * 11/1929 Weisenberg 229/116.1
3,425,626 A * 2/1969 Dietz et al. 239/33
D244,749 S * 6/1977 Hodges D9/635
4,462,544 A * 7/1984 Rutzel et al. 239/33
D374,398 S * 10/1996 Larson D9/635
D429,602 S * 8/2000 Lipson D7/507
D467,460 S * 12/2002 Swanson et al. D7/300.2
D468,967 S * 1/2003 Lipson D7/507
D469,306 S * 1/2003 Lipson D7/507
D509,985 S * 9/2005 Lipson D7/300.2
D509,992 S * 9/2005 Lipson D7/515
D549,590 S * 8/2007 Mauerhan et al. D9/635

1 Claim, 6 Drawing Sheets





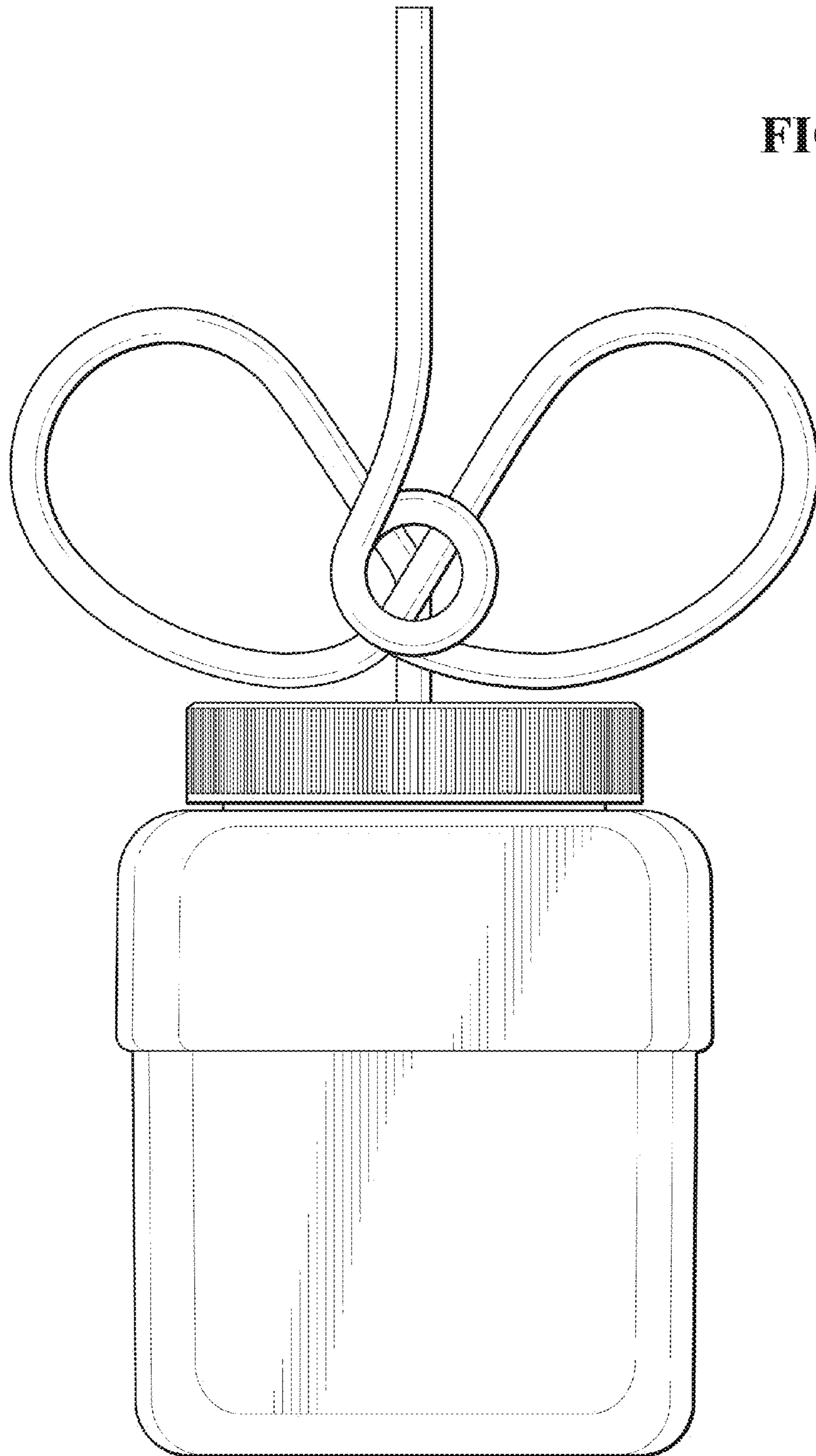


FIG. 2

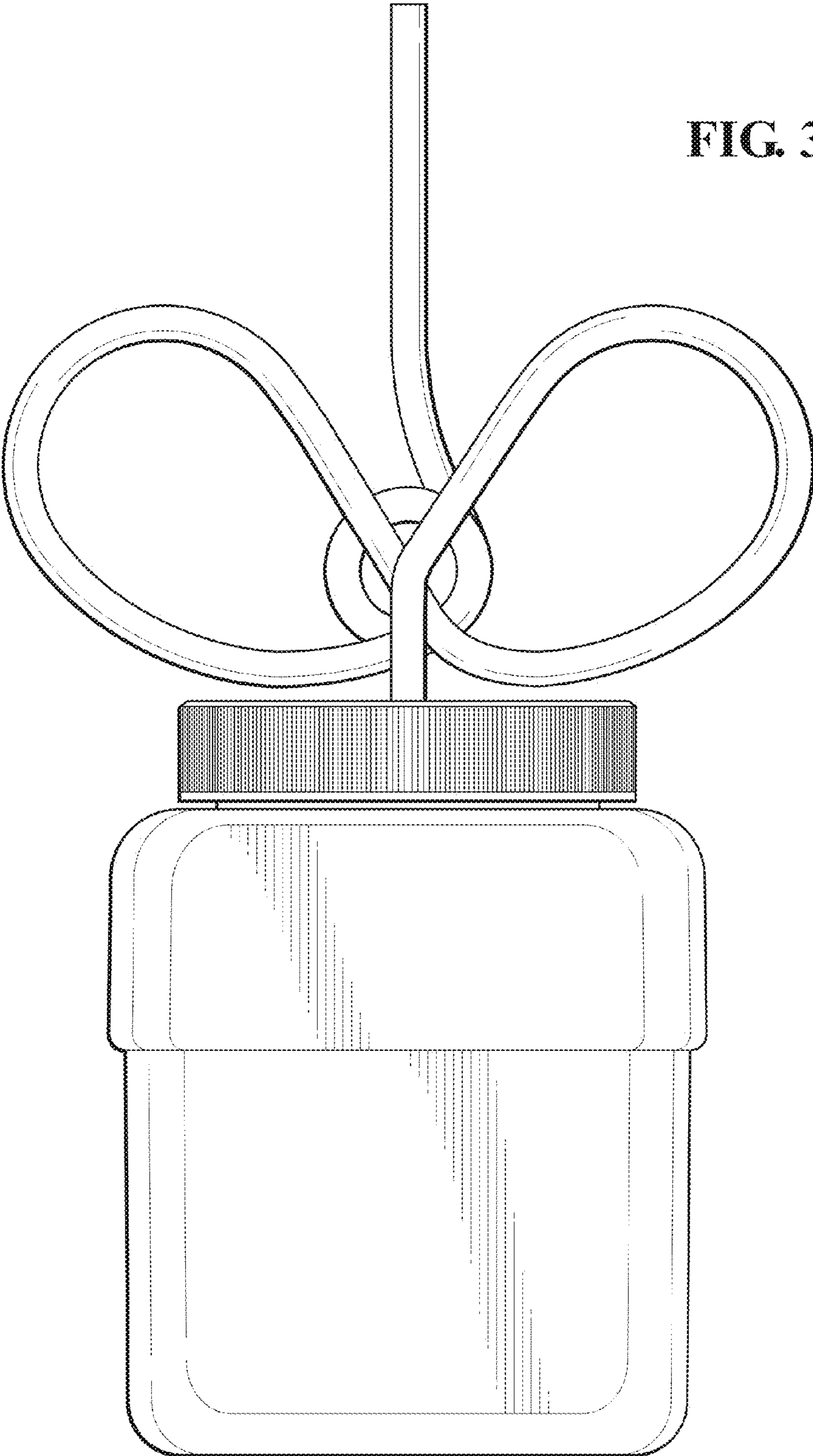
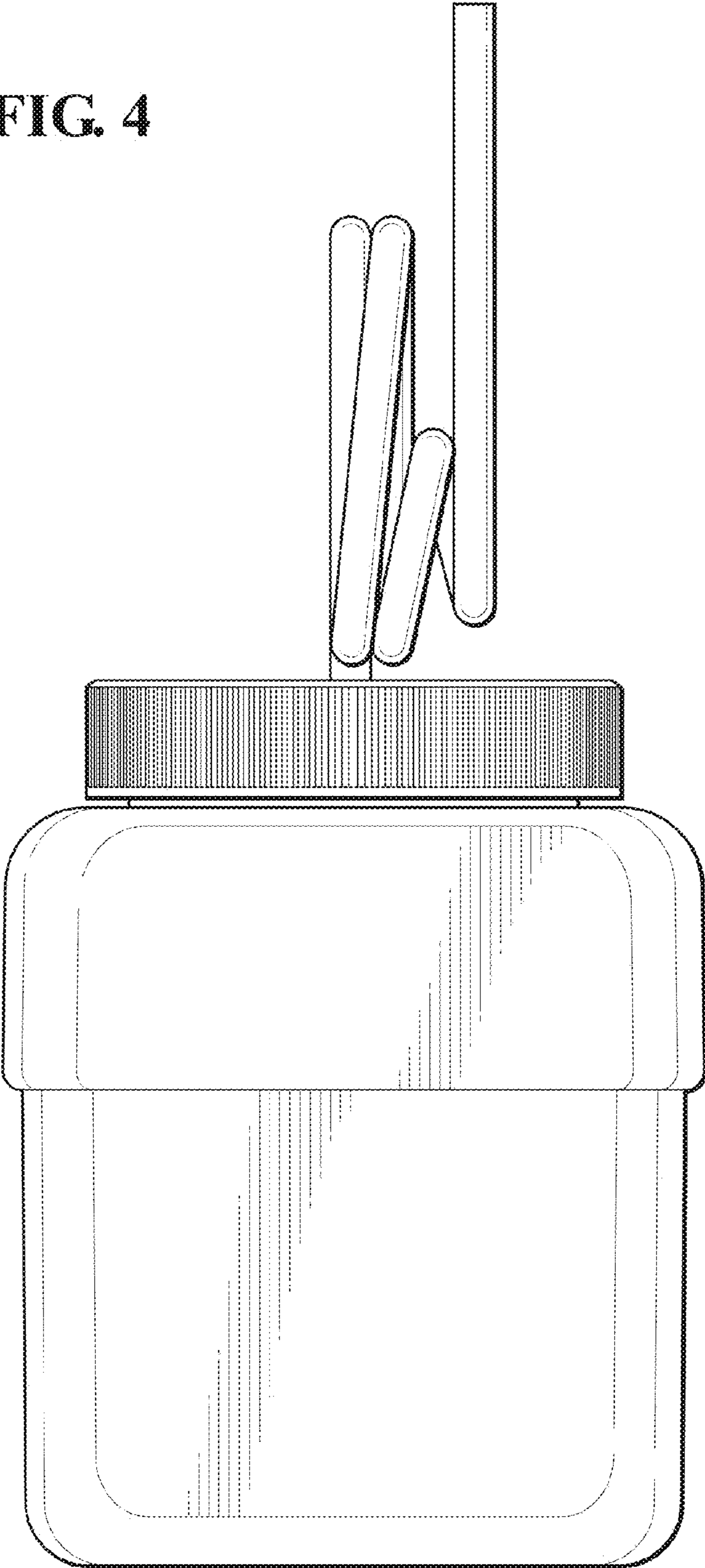


FIG. 3

FIG. 4



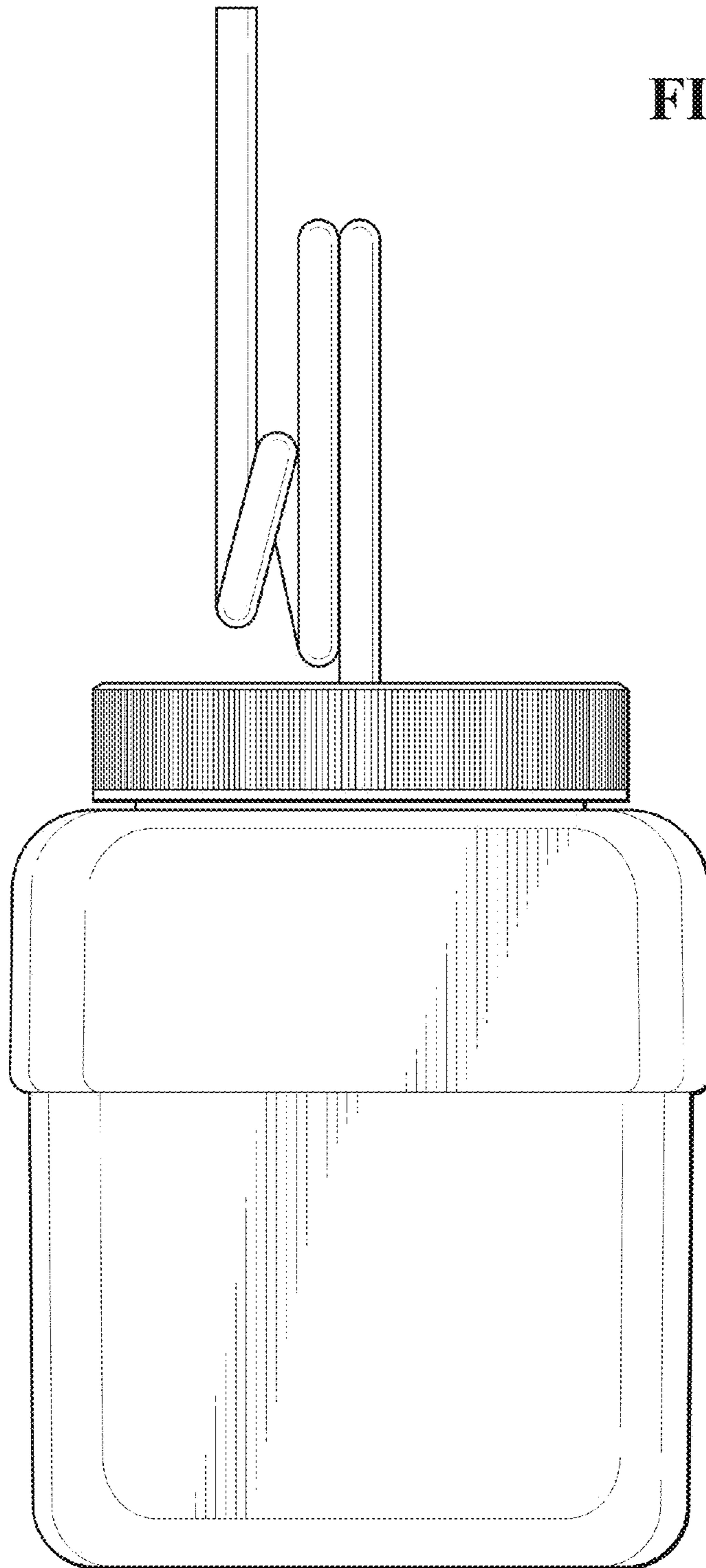


FIG. 5

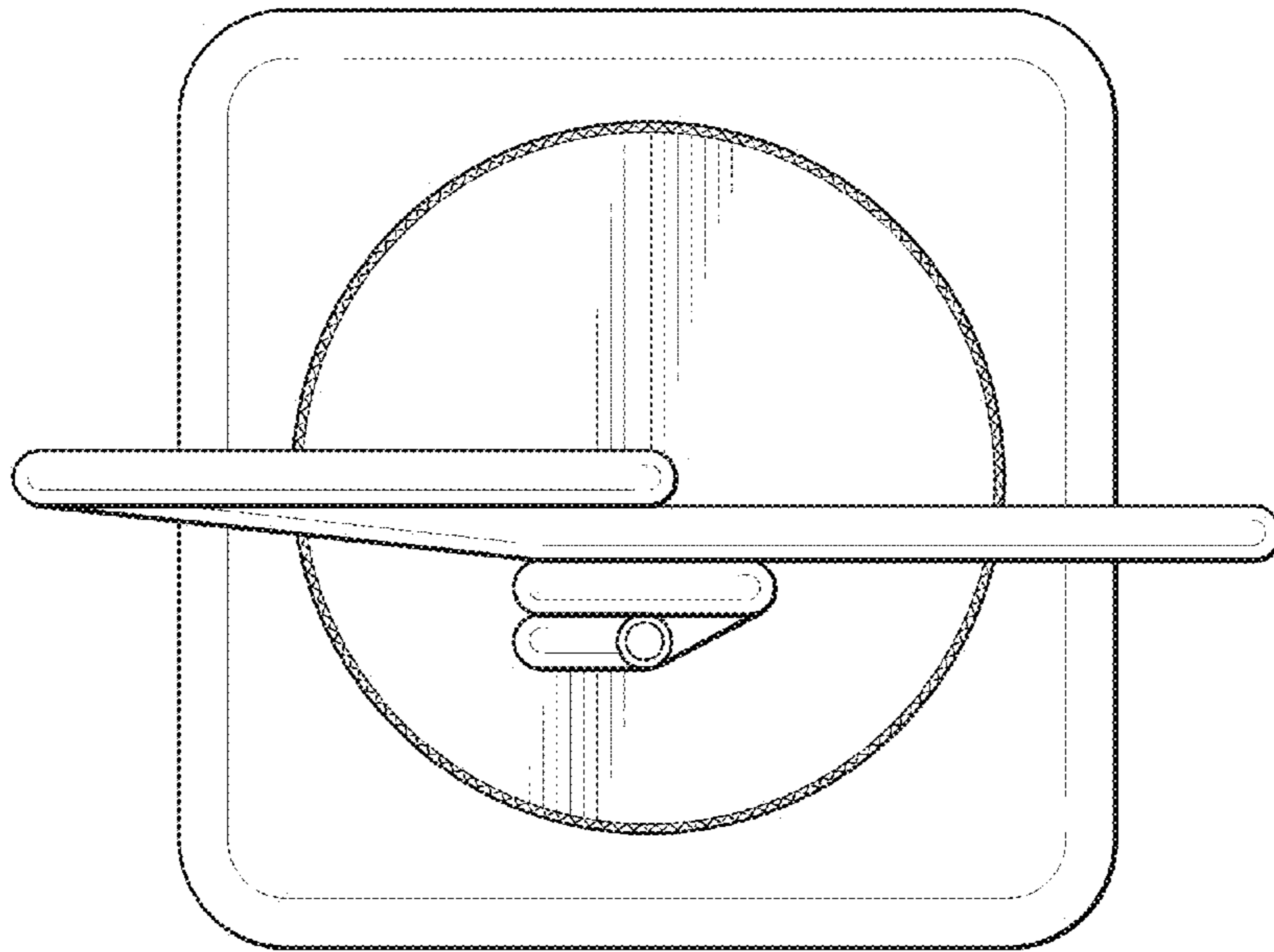


FIG. 6

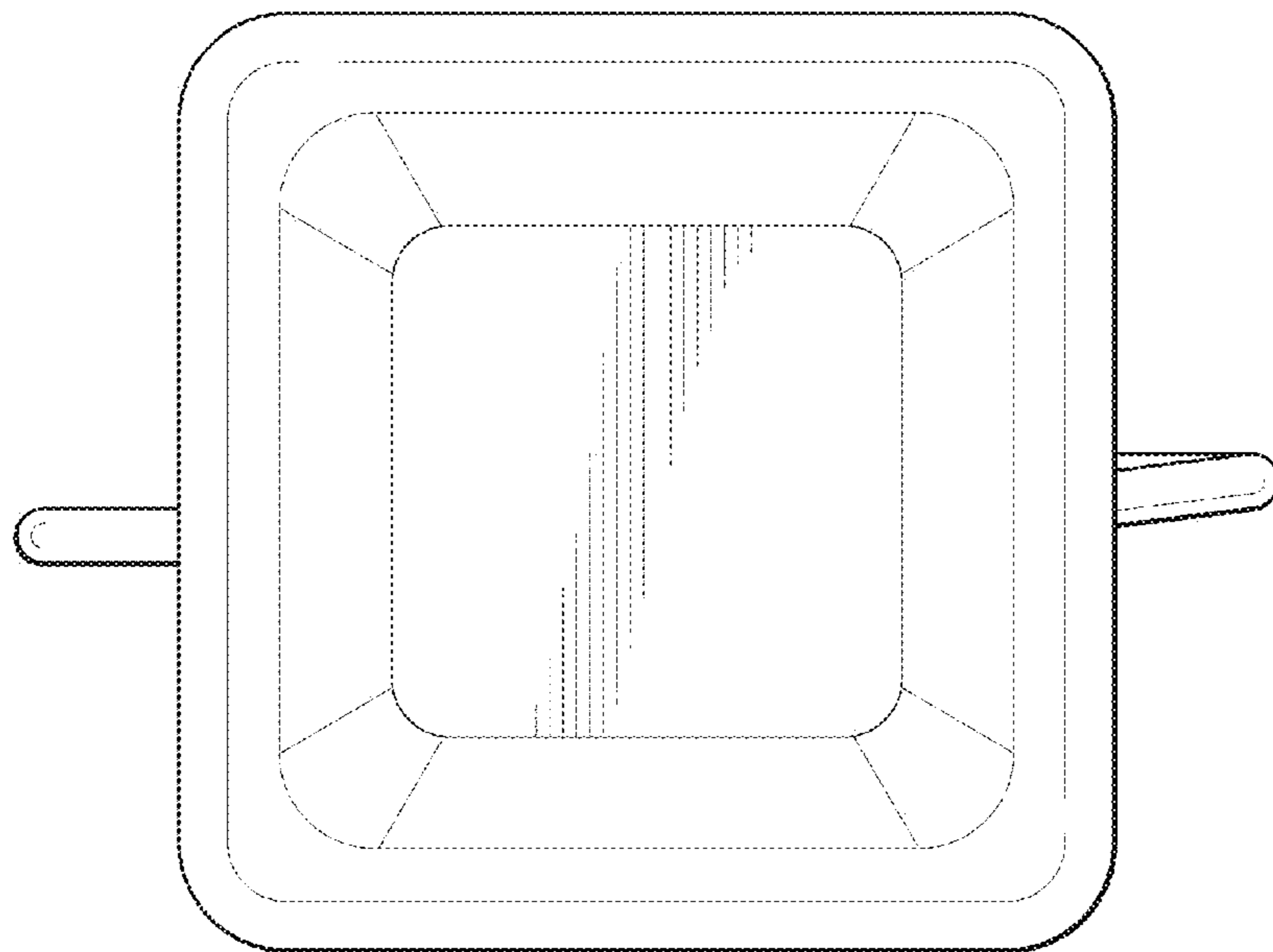


FIG. 7