



US00D714586S

(12) **United States Design Patent**  
**Grasselli et al.**

(10) **Patent No.:** **US D714,586 S**

(45) **Date of Patent:** **\*\* Oct. 7, 2014**

(54) **KETTLE**

(56) **References Cited**

(71) Applicants: **Dario Grasselli**, Comerio (IT); **Leif A. Norland**, St. Joseph, MI (US); **Ben C. Shao**, Stevensville, MI (US); **Jeffrey A. Wessel**, Stevensville, MI (US)

U.S. PATENT DOCUMENTS

|           |    |   |         |                  |       |           |
|-----------|----|---|---------|------------------|-------|-----------|
| D269,318  | S  | * | 6/1983  | Blanchard        | ..... | D7/312    |
| D411,404  | S  | * | 6/1999  | Littmann         | ..... | D7/319    |
| 6,561,390 | B2 | * | 5/2003  | Boyte et al.     | ..... | 222/475.1 |
| D630,882  | S  | * | 1/2011  | Cohen            | ..... | D7/318    |
| D642,005  | S  | * | 7/2011  | Geissler et al.  | ..... | D7/319    |
| D643,241  | S  | * | 8/2011  | McCormick et al. | ..... | D7/319    |
| D653,896  | S  | * | 2/2012  | Wilt             | ..... | D7/315    |
| D663,567  | S  | * | 7/2012  | Littmann et al.  | ..... | D7/318    |
| D668,095  | S  | * | 10/2012 | Green et al.     | ..... | D7/319    |
| D682,601  | S  | * | 5/2013  | Grasselli et al. | ..... | D7/321    |
| D686,864  | S  | * | 7/2013  | Poul et al.      | ..... | D7/318    |
| D691,417  | S  | * | 10/2013 | Dichraff et al.  | ..... | D7/397    |

(72) Inventors: **Dario Grasselli**, Comerio (IT); **Leif A. Norland**, St. Joseph, MI (US); **Ben C. Shao**, Stevensville, MI (US); **Jeffrey A. Wessel**, Stevensville, MI (US)

(73) Assignee: **Whirlpool Corporation**, Benton Harbor, MI (US)

\* cited by examiner

(\*\*) Term: **14 Years**

*Primary Examiner* — Marianne Pandozzi

(21) Appl. No.: **29/452,489**

(57) **CLAIM**

(22) Filed: **Apr. 17, 2013**

We claim the ornamental design for a kettle, as shown and described.

**Related U.S. Application Data**

**DESCRIPTION**

(62) Division of application No. 29/412,911, filed on Feb. 9, 2012, now Pat. No. Des. 682,601.

(51) **LOC (10) Cl.** ..... **07-01**

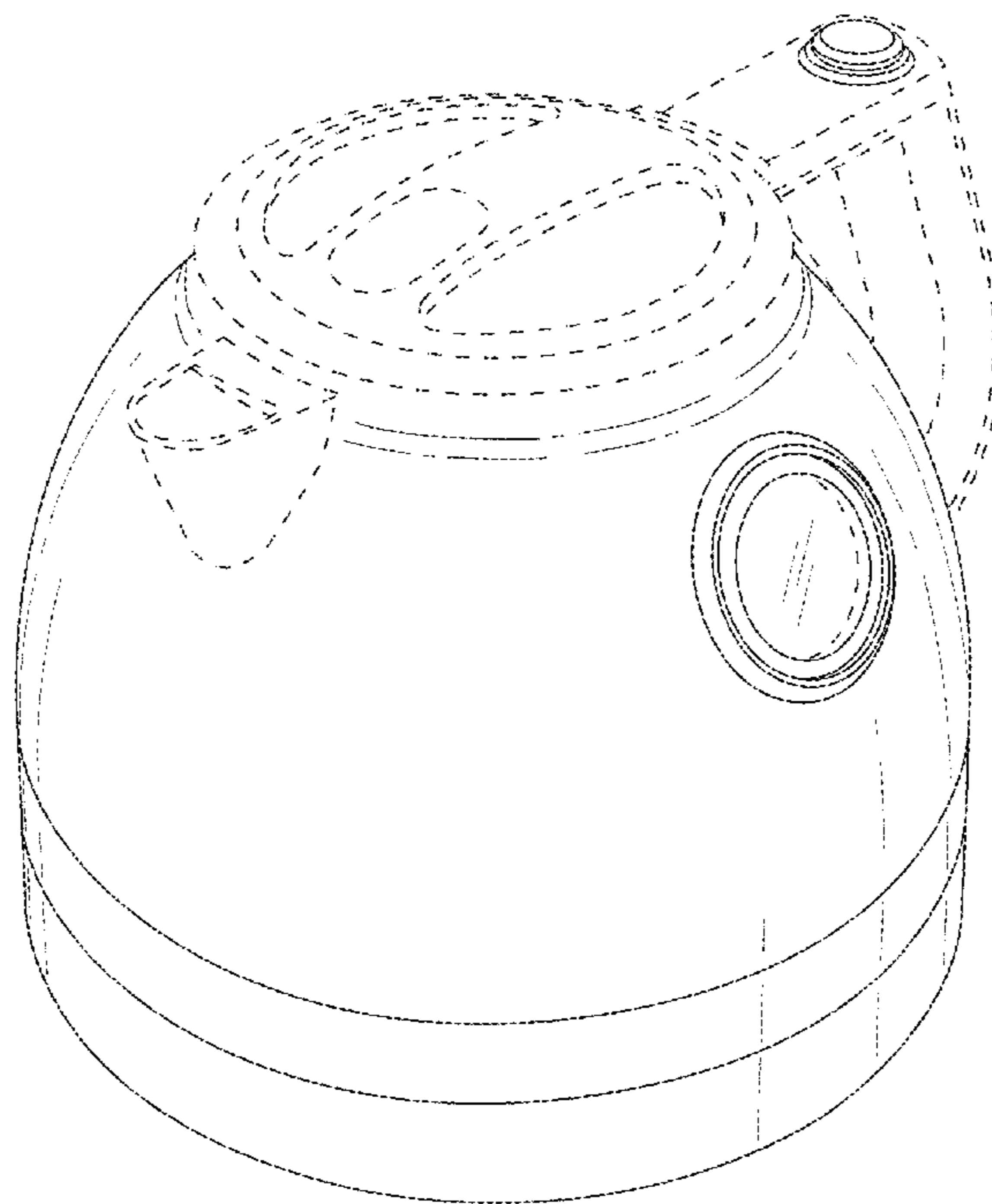
(52) **U.S. Cl.**  
USPC ..... **D7/399**; D7/319; D7/322

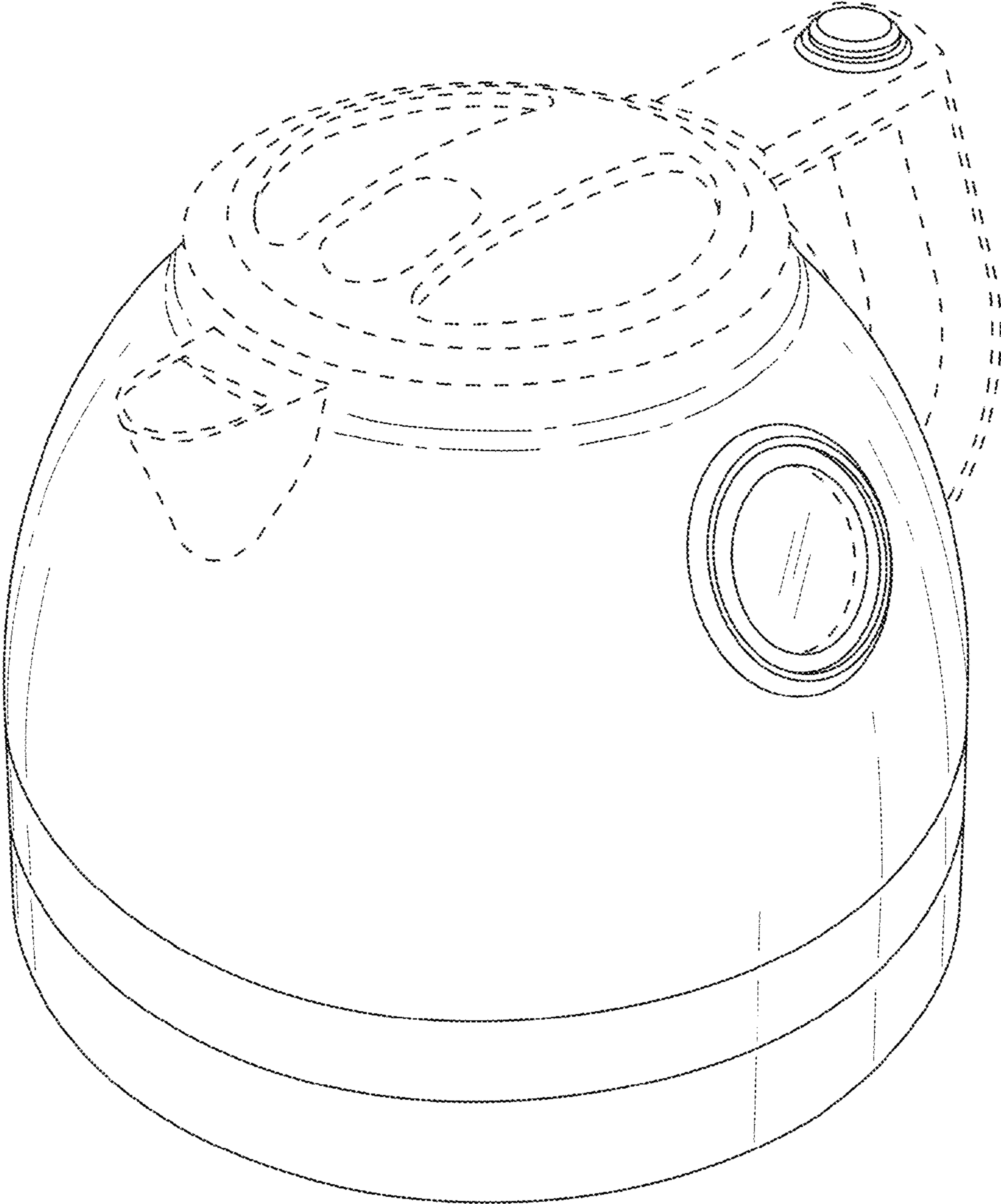
(58) **Field of Classification Search**  
CPC ..... A47G 19/14; A47J 31/10  
USPC ..... D7/322, 321, 312, 317-319, 399, 397;  
222/1, 469, 500; 99/303, 323.3;  
219/494, 437

FIG. 1 is a front perspective view of a kettle showing our new design;  
FIG. 2 is a right side view thereof;  
FIG. 3 is a left side view thereof;  
FIG. 4 is a front view thereof;  
FIG. 5 is a rear view thereof;  
FIG. 6 is a top plan view thereof; and,  
FIG. 7 is a bottom plan view thereof.  
The features shown in broken lines depict environmental subject matter only and form no part of the claimed design.

See application file for complete search history.

**1 Claim, 7 Drawing Sheets**





**FIG. 1**

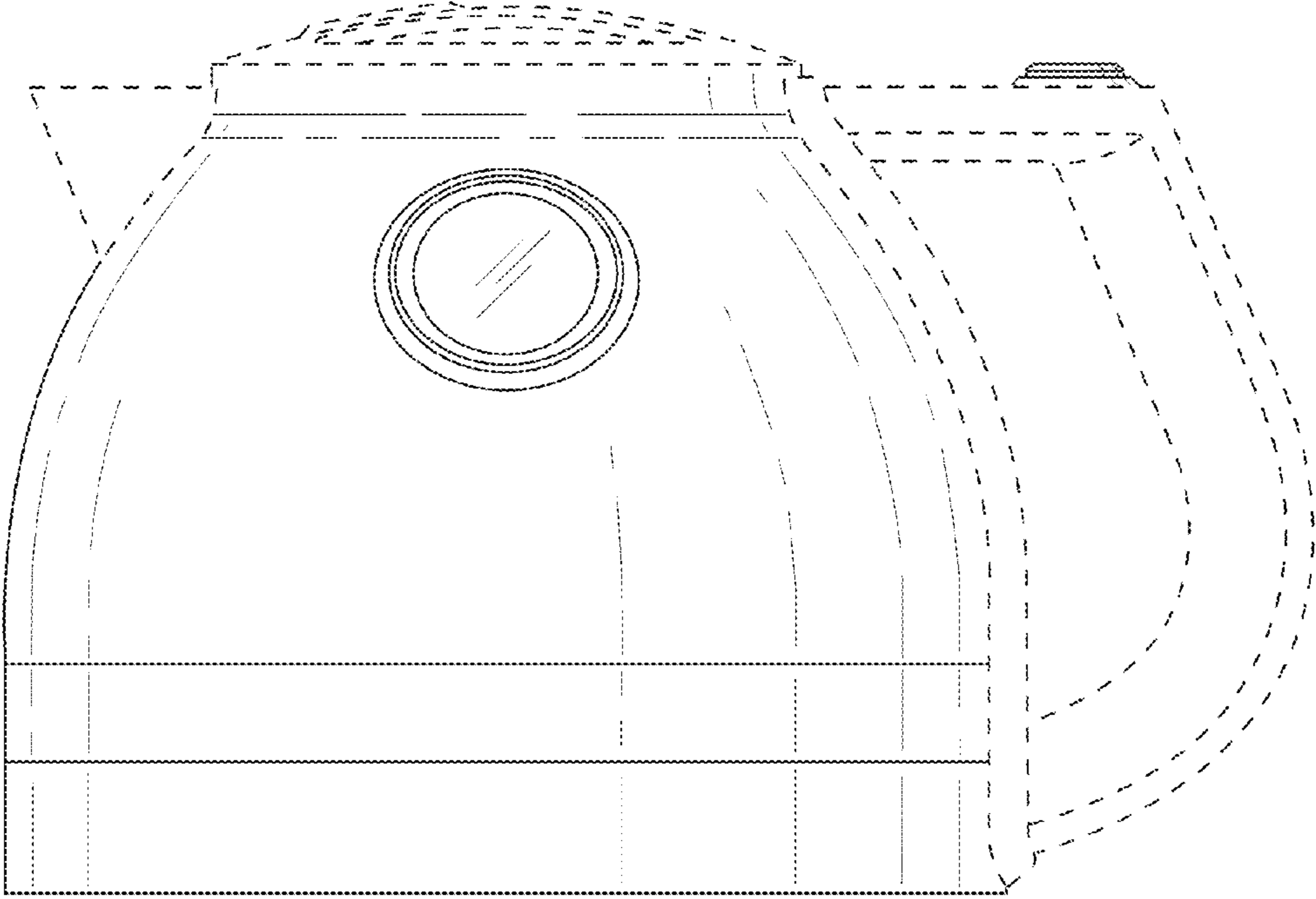


FIG. 2

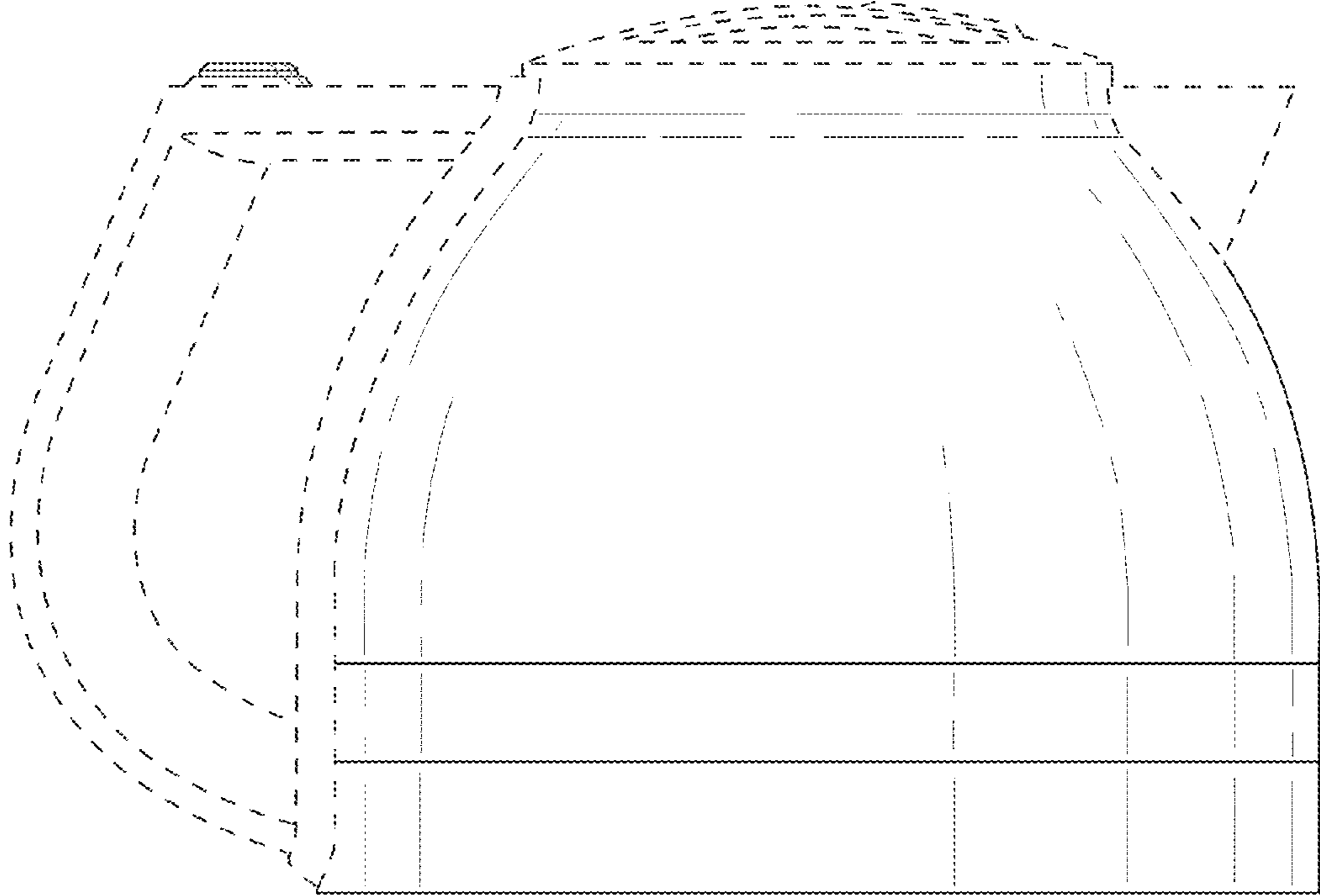
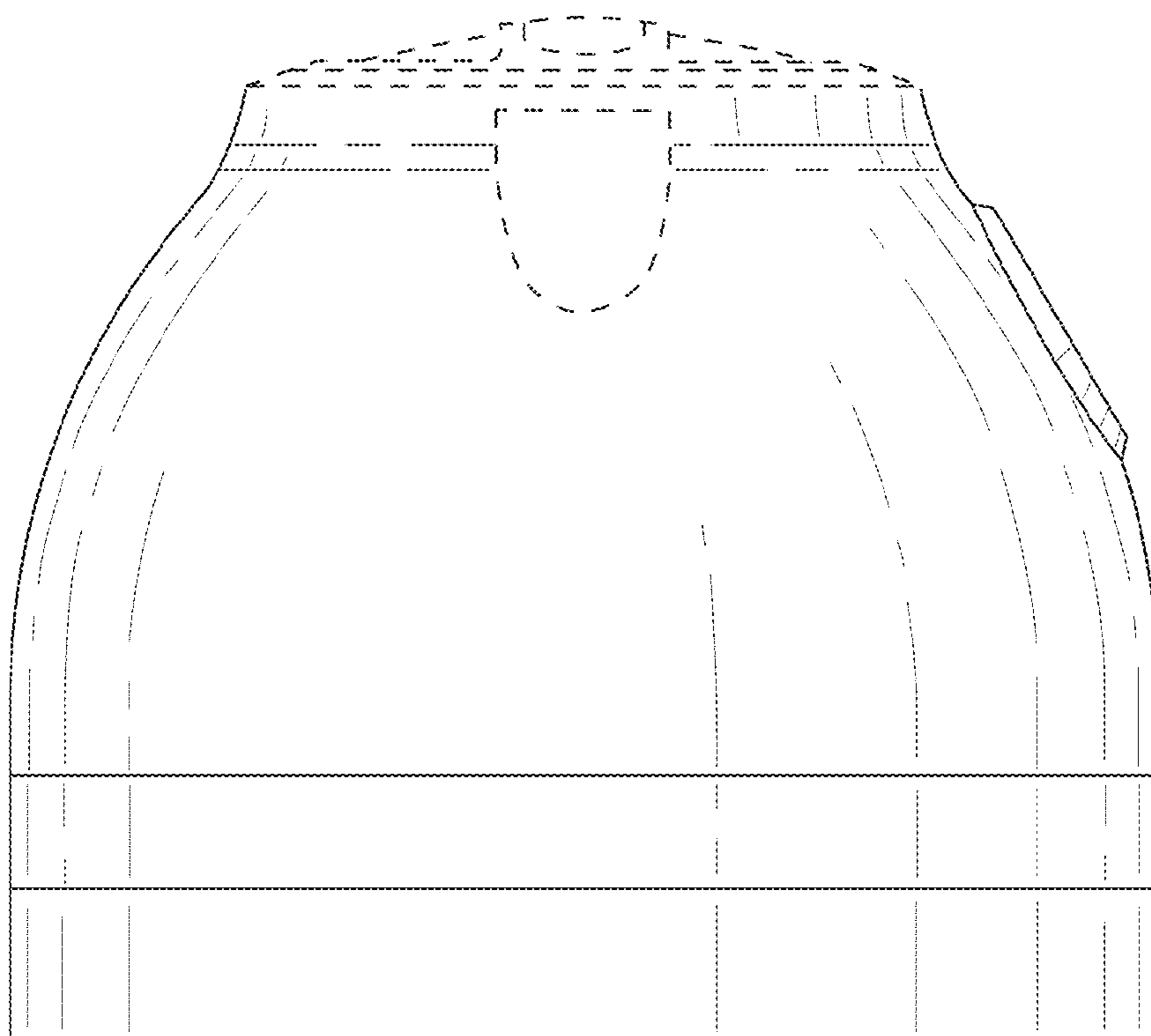


FIG. 3



**FIG. 4**

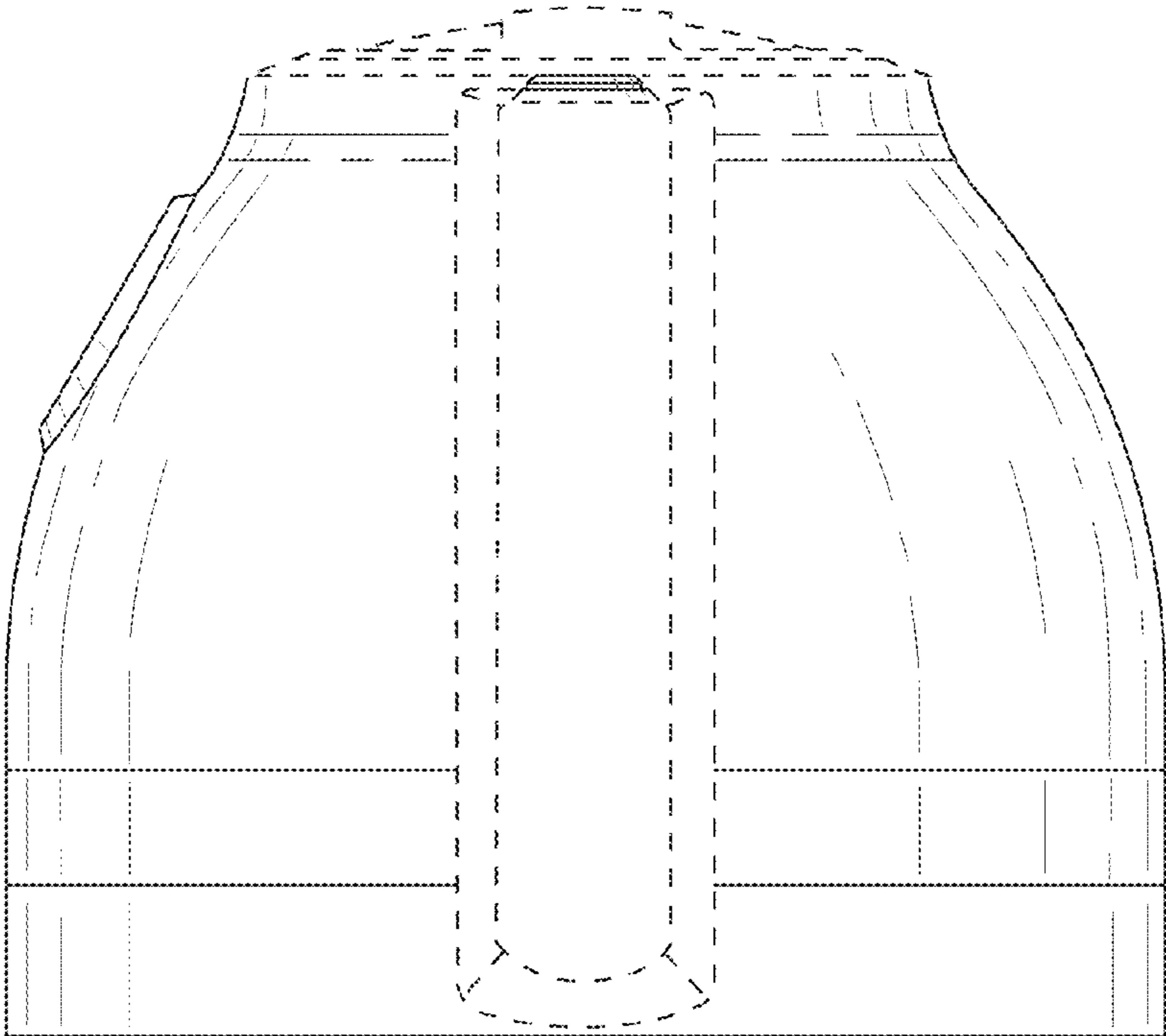


FIG. 5

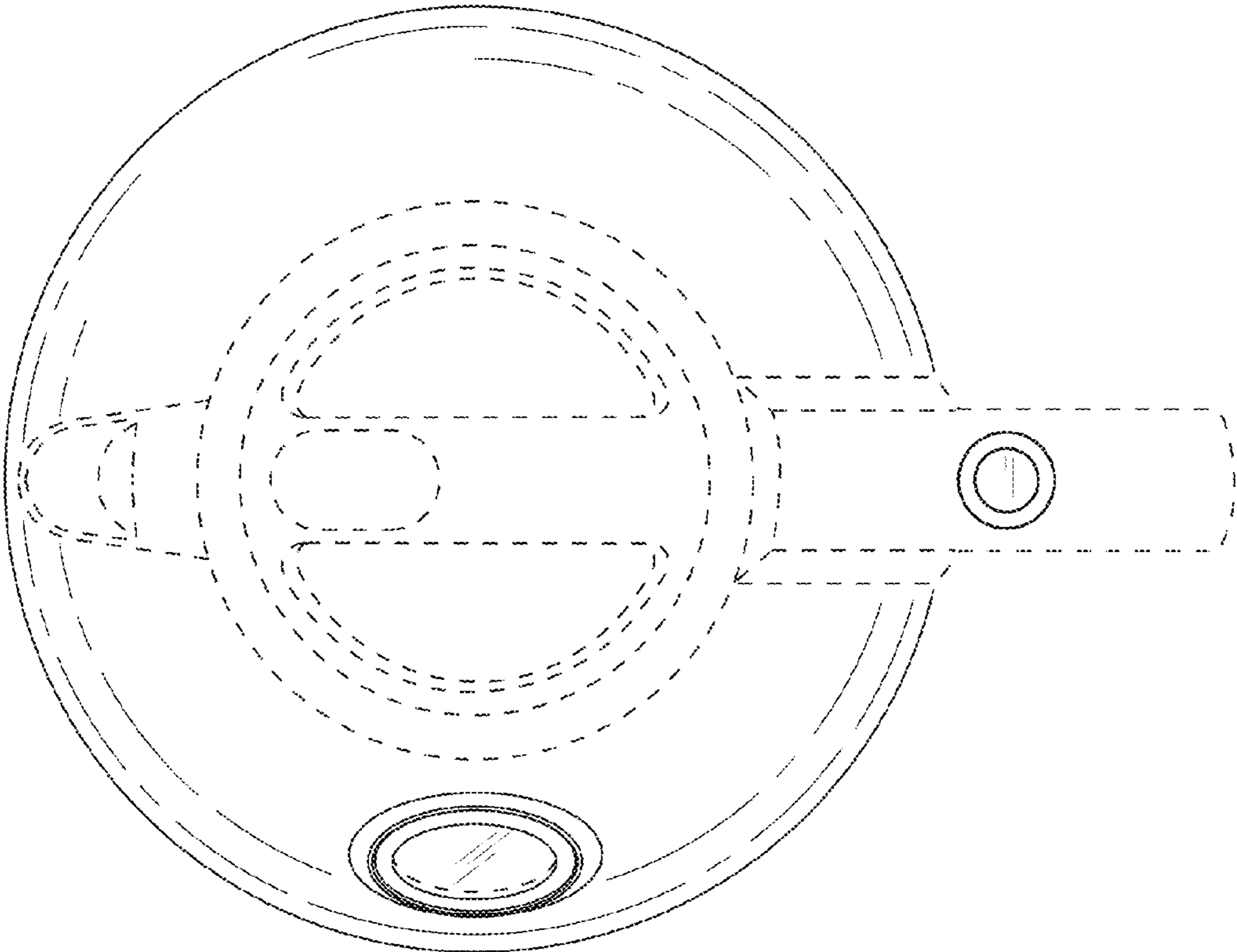


FIG. 6



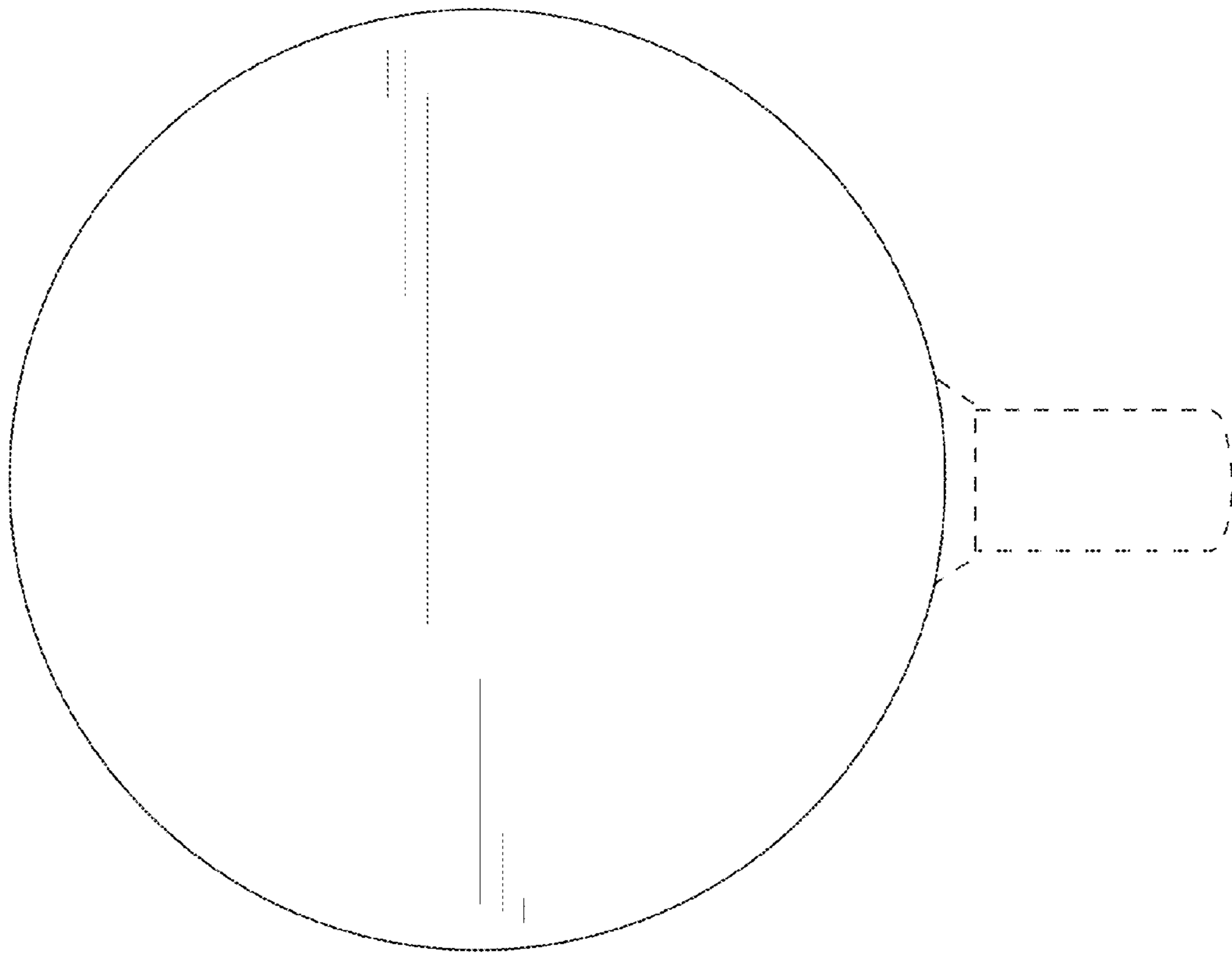


FIG. 7