



US00D714585S

(12) **United States Design Patent**
Genatossio

(10) **Patent No.:** **US D714,585 S**

(45) **Date of Patent:** **** Oct. 7, 2014**

(54) **HANDLE FOR COOKING POT**
(71) Applicant: **Le Creuset SAS**, Fresnoy-le-Grand (FR)
(72) Inventor: **Louis F. Genatossio**, Shrewsbury, MA (US)

(73) Assignee: **Le Creuset SAS**, Fresnoy-le-Grand (FR)
(**) Term: **14 Years**

(21) Appl. No.: **29/471,101**

(22) Filed: **Oct. 28, 2013**

(51) **LOC (10) Cl.** **07-02**

(52) **U.S. Cl.**
USPC **D7/395**

(58) **Field of Classification Search**
USPC D7/354-361, 393-395, 401.2, 664;
D8/107, 300, 321; D4/138, 129;
16/421, 430, 431, 110.1, 407;
220/573.1-573.5, 752, 753, 755, 756,
220/759, 767, 771, 912

See application file for complete search history.

(56) **References Cited**

U.S. PATENT DOCUMENTS

D482,567 S *	11/2003	Demers	D7/395
D593,794 S *	6/2009	Rae	D7/395
D596,897 S *	7/2009	Tetreault et al.	D7/395
D596,898 S *	7/2009	Tetreault et al.	D7/395
D618,052 S *	6/2010	Rae	D7/395
D630,055 S *	1/2011	Rae	D7/395

D658,004 S *	4/2012	Rae	D7/395
D704,505 S *	5/2014	Clabots	D7/395
D704,998 S *	5/2014	Rae	D7/395
D705,000 S *	5/2014	Rae	D7/395
D705,003 S *	5/2014	Rae et al.	D7/395

* cited by examiner

Primary Examiner — Cynthia M Chin

(74) *Attorney, Agent, or Firm* — Gary L. Bush; Andrews Kurth LLP

(57) **CLAIM**

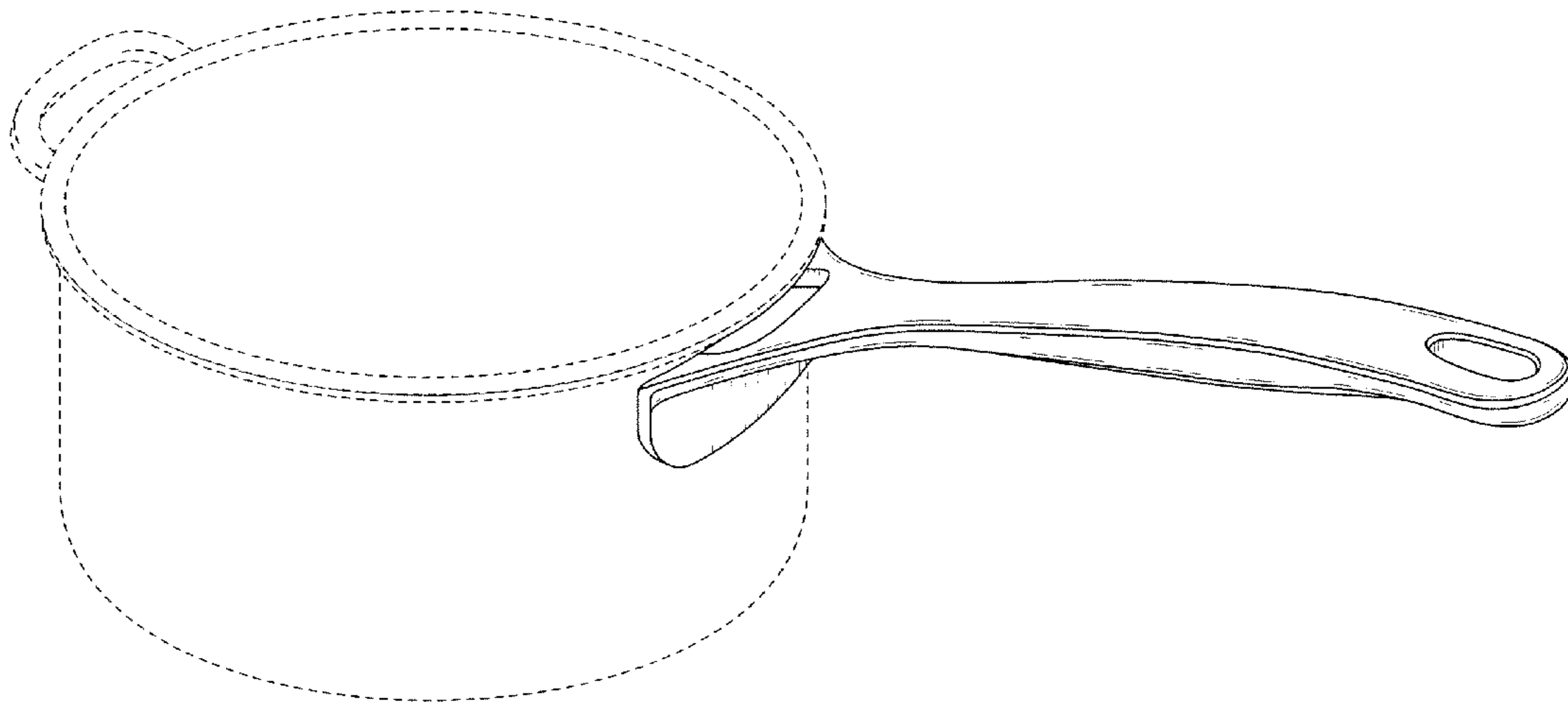
The ornamental design for a handle for cooking pot, as shown and described.

DESCRIPTION

FIG. 1 is a perspective view of the handle for a pot showing my new design;
FIG. 2 is a top view of the pot handle of my new design;
FIG. 3 is a side view of the pot handle of my new design;
FIG. 4 is an end view of the pot handle of my new design viewed from the front end of the pot; and,
FIG. 5 is an opposite end view of the pot handle of my new design viewed from the rear end of the pot.

The broken lines showing a pot connected to the handle, are included for the purpose of illustrating an exemplary environment in which the handle resides, and form no part of the claimed design.

1 Claim, 3 Drawing Sheets



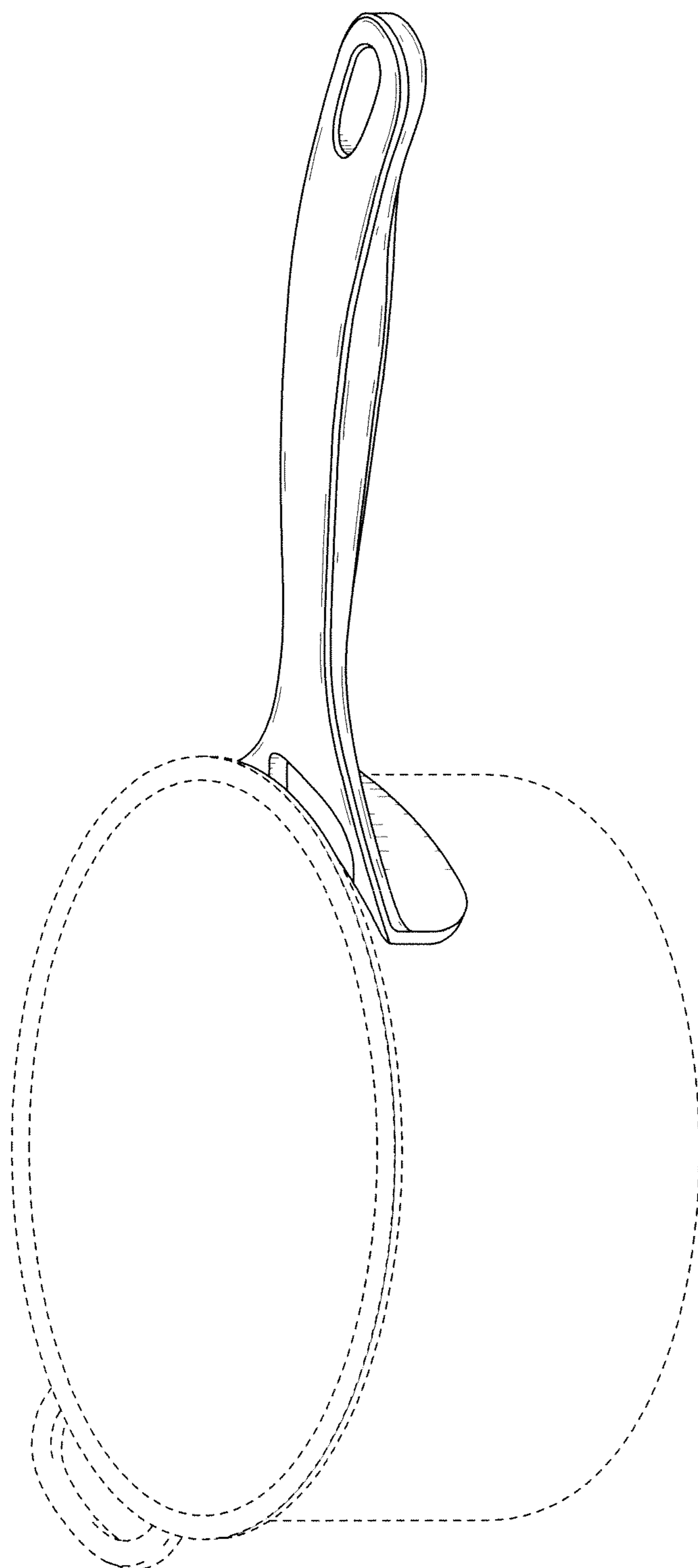


FIG. 1

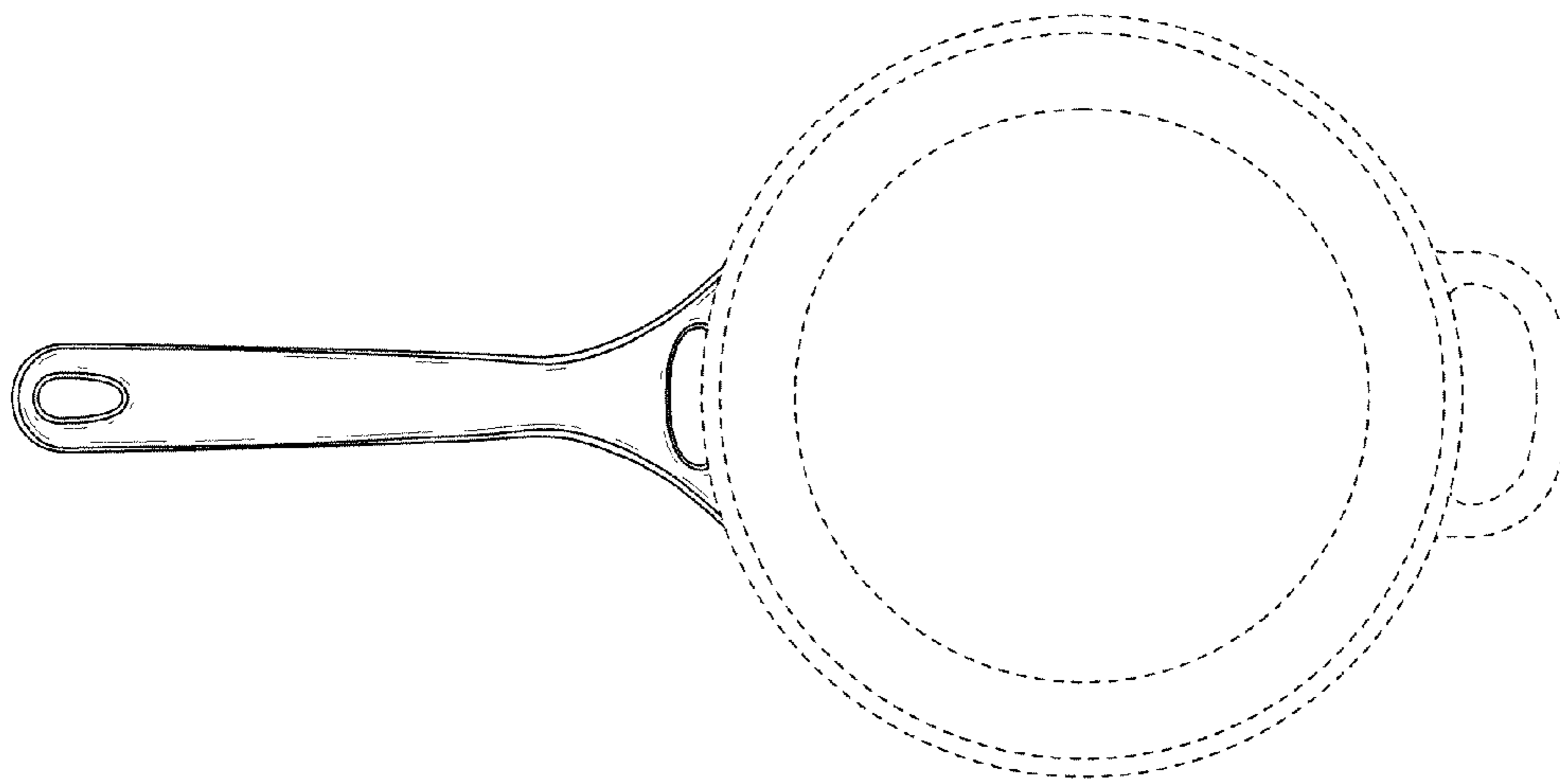


FIG. 2

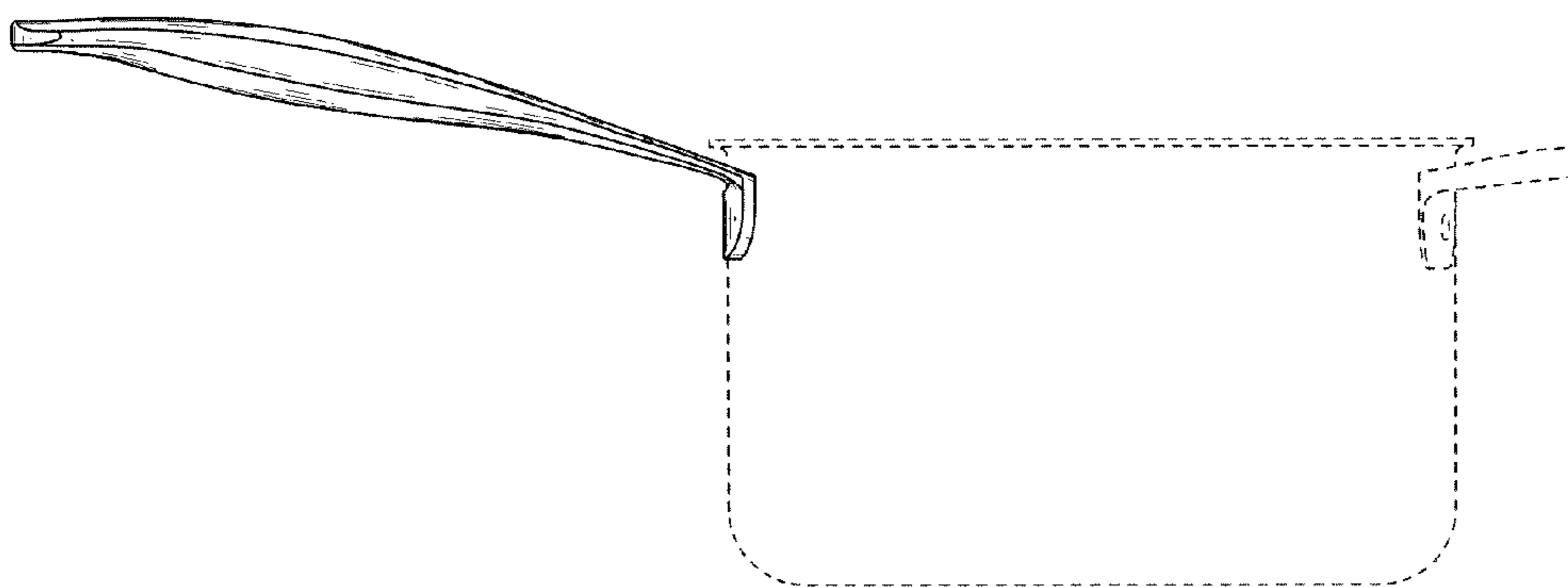


FIG. 3

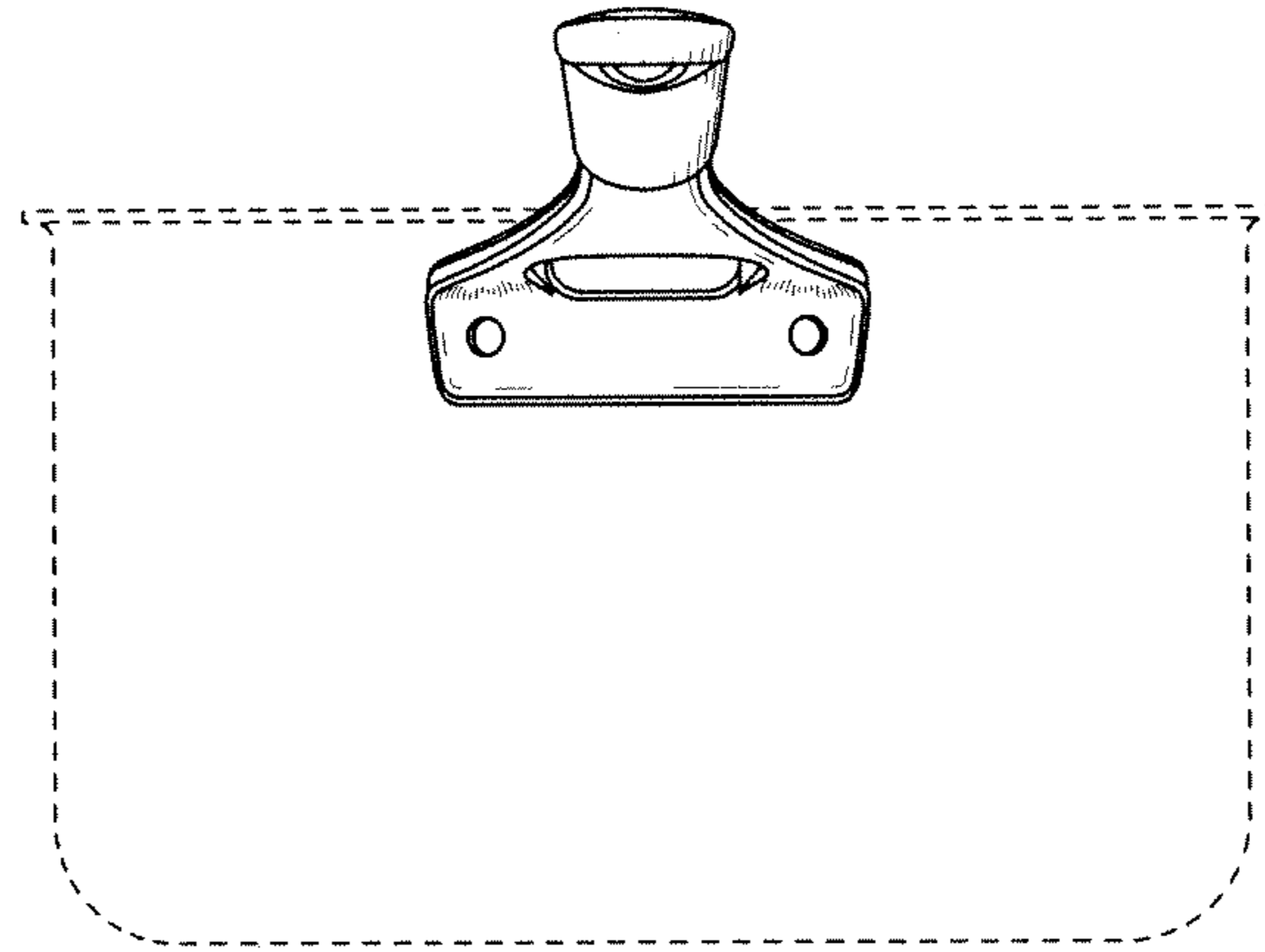


FIG. 4

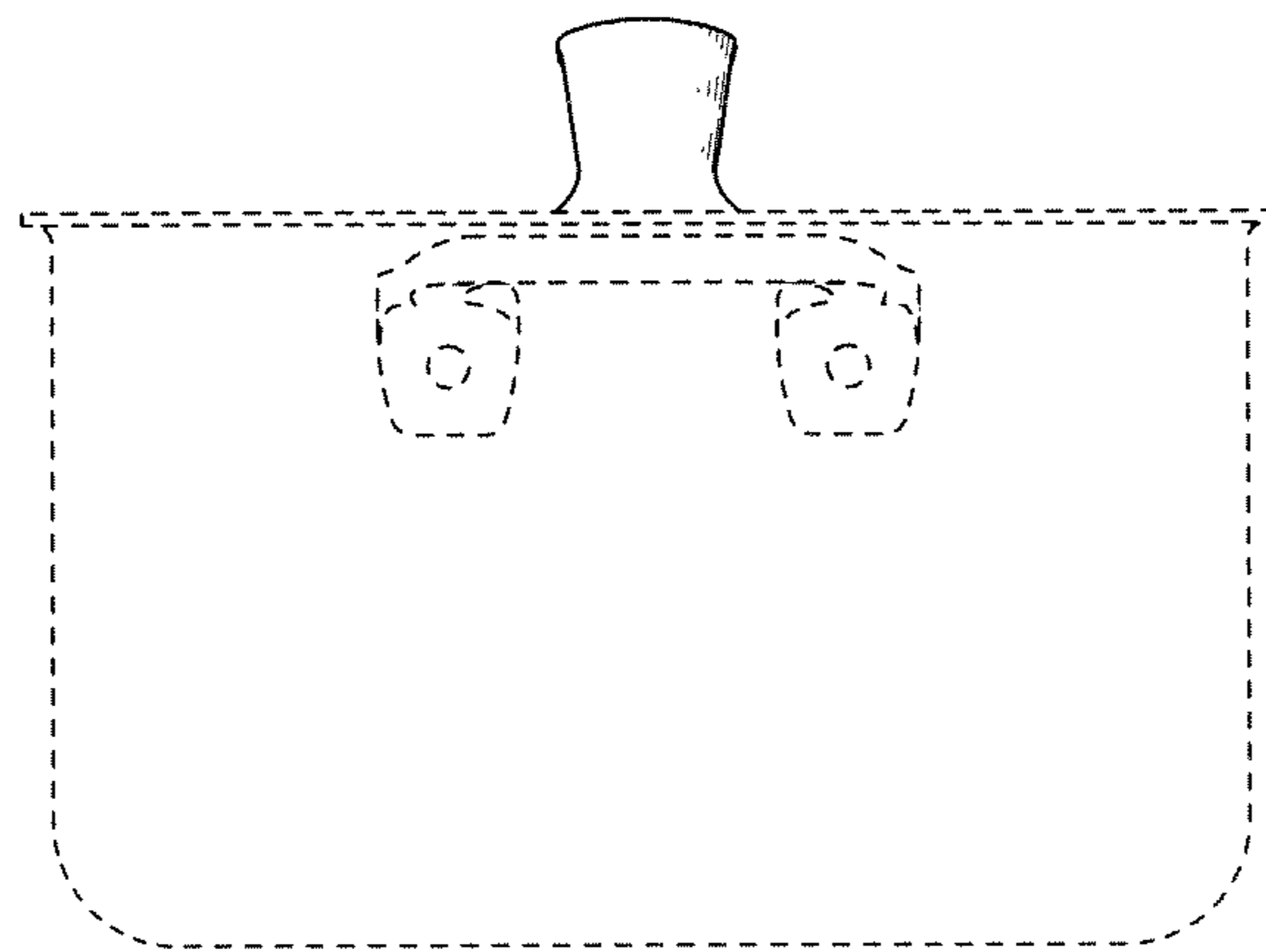


FIG. 5