



US00D714584S

(12) **United States Design Patent**
Boroski

(10) **Patent No.:** **US D714,584 S**

(45) **Date of Patent:** **** Oct. 7, 2014**

(54) **LID WITH CAPTIVE CLOSURE ON NOZZLE
FOR USE WITH DRINK BOTTLE**

D609,969 S * 2/2010 McKinney D7/510
D614,918 S * 5/2010 Chisholm D7/510
D619,001 S * 7/2010 McKinney D9/446

(71) Applicant: **Thermos L.L.C.**, Schaumburg, IL (US)

(Continued)

(72) Inventor: **Dwayne Boroski**, Lake in the Hills, IL (US)

OTHER PUBLICATIONS

“Humangear Cap Water Bottle Lid.” amazon.com. Web. May 4, 2009.*

(73) Assignee: **Thermos L.L.C.**, Schaumburg, IL (US)

(Continued)

(**) Term: **14 Years**

Primary Examiner — Deanna L Pratt

Assistant Examiner — Kendra L Hamilton

(21) Appl. No.: **29/455,469**

(74) *Attorney, Agent, or Firm* — Polsinelli PC

(22) Filed: **May 21, 2013**

(57) **CLAIM**

(51) **LOC (10) Cl.** **09-07**

The ornamental design of the lid with captive closure on nozzle for use with drink bottle, as shown and described.

(52) **U.S. Cl.**

DESCRIPTION

USPC **D7/392**

(58) **Field of Classification Search**

USPC D7/392, 391, 392.1, 397, 399, 319, 629,
D7/323, 509–511, 393, 396.2; D23/207,
D23/209; 22/465.1, 475.1

See application file for complete search history.

FIG. 1 is a perspective view taken from the upper, front, right-hand side of the lid with captive closure on nozzle for use with drink bottle of the present invention;

FIG. 2 is a perspective view taken from the lower, front, left-hand side of the lid with captive closure on nozzle for use with drink bottle of FIG. 1;

FIG. 3 is a front elevational view of the lid with captive closure on nozzle for use with drink bottle of FIG. 1;

FIG. 4 is a side elevational view of the right side of the lid with captive closure on nozzle for use with drink bottle of FIG. 1;

FIG. 5 is a back elevational view of the lid with captive closure on nozzle for use with drink bottle of FIG. 1;

FIG. 6 is a side elevational view of the left side of the lid with captive closure on nozzle for use with drink bottle of FIG. 1;

FIG. 7 is a top plan view of the lid with captive closure on nozzle for use with drink bottle of FIG. 1; and,

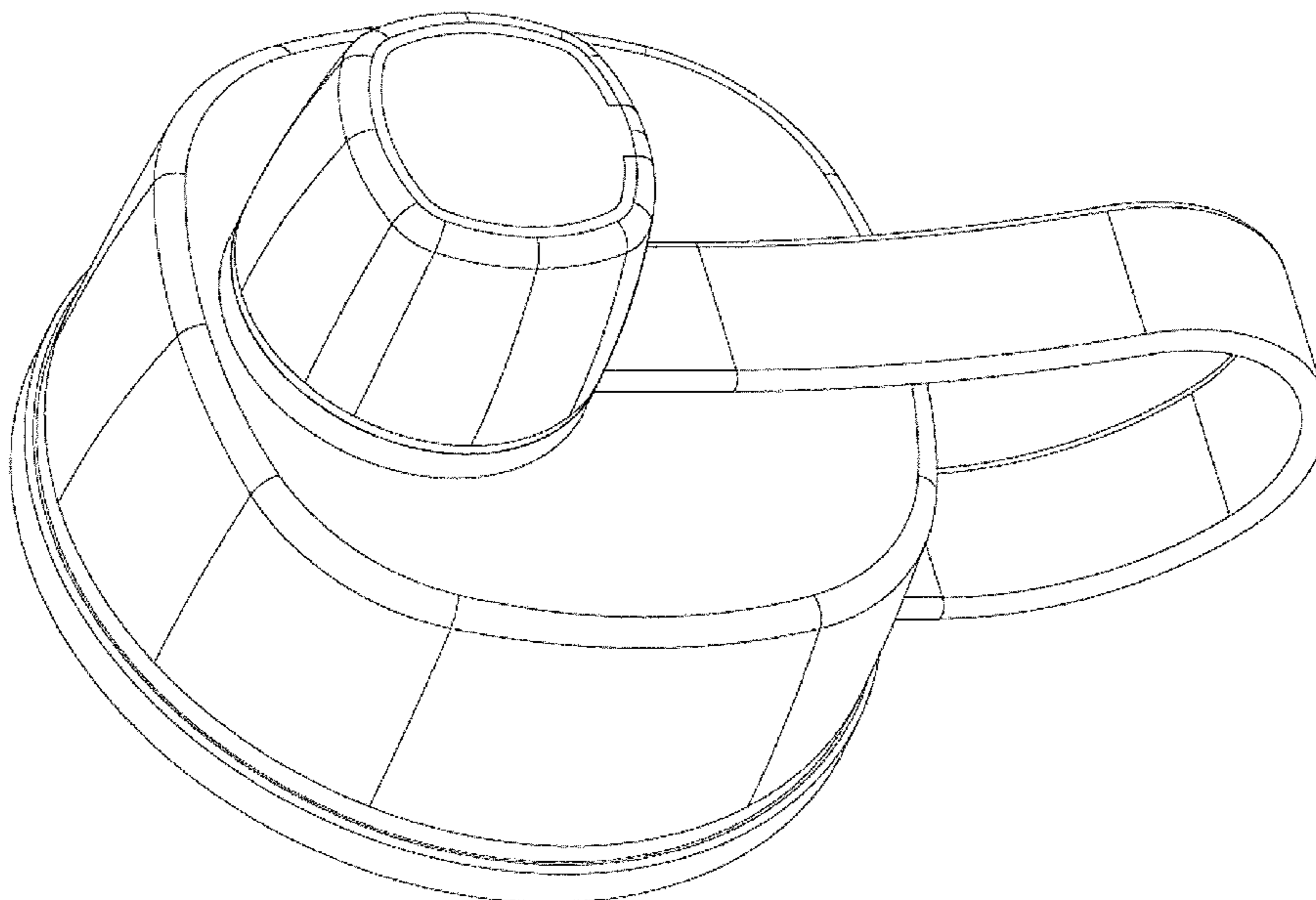
FIG. 8 is a bottom plan view of the lid with captive closure on nozzle for use with drink bottle of FIG. 1.

(56) **References Cited**

U.S. PATENT DOCUMENTS

D221,886 S	9/1971	Gruett	
D324,822 S *	3/1992	Brabeck et al.	D9/560
D364,810 S	12/1995	Meisner	
D373,706 S	9/1996	Gregg	
D391,448 S *	3/1998	Winer et al.	D7/510
D417,590 S *	12/1999	Kato	D7/510
D501,362 S	2/2005	Gauss	
D512,874 S	12/2005	Poulson et al.	
D528,910 S *	9/2006	Kingsley	D9/446
D536,929 S	2/2007	Kingsley	
D537,676 S *	3/2007	Kingsley	D7/510
D572,078 S	7/2008	Bhavani	
D596,458 S *	7/2009	McKinney	D7/510

1 Claim, 8 Drawing Sheets



(56)

References Cited

U.S. PATENT DOCUMENTS

D644,489 S * 9/2011 Trombly D7/510
D650,629 S 12/2011 Gilbert
D651,044 S 12/2011 Gilbert
D657,629 S * 4/2012 Olson et al. D7/510
D660,648 S * 5/2012 Gilbert D7/510
8,245,870 B2 * 8/2012 McKinney et al. 220/375

D680,805 S 4/2013 Rosbach
D693,650 S 11/2013 De Leo
2005/0023238 A1 2/2005 Wong

OTHER PUBLICATIONS

“Wide-Mouth Loop-Top Lid”; amazon.com; Web May 31, 2010.
U.S. Appl. No. 29/455,475, filed May 21, 2013 (10 pages).

* cited by examiner

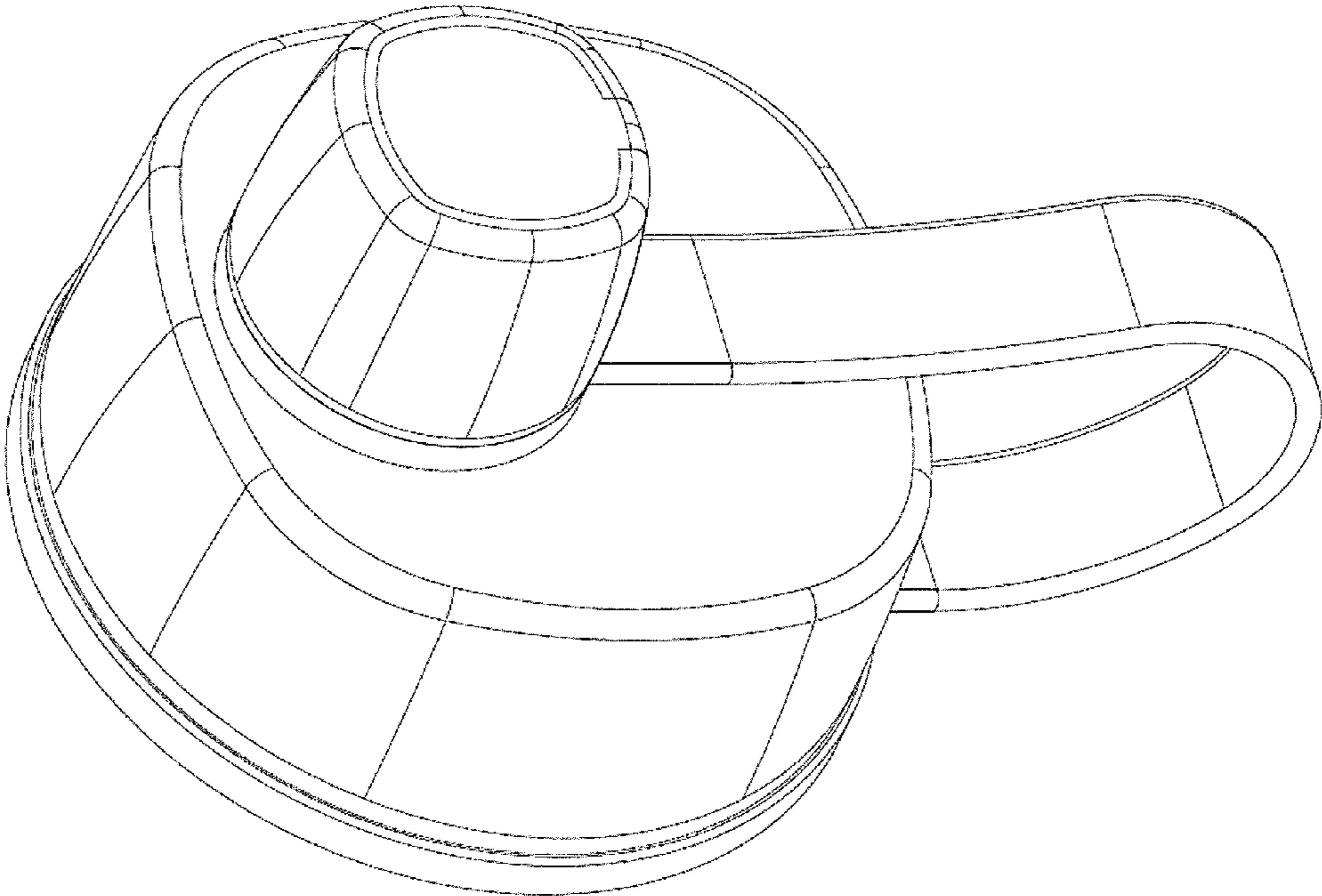


Figure 1

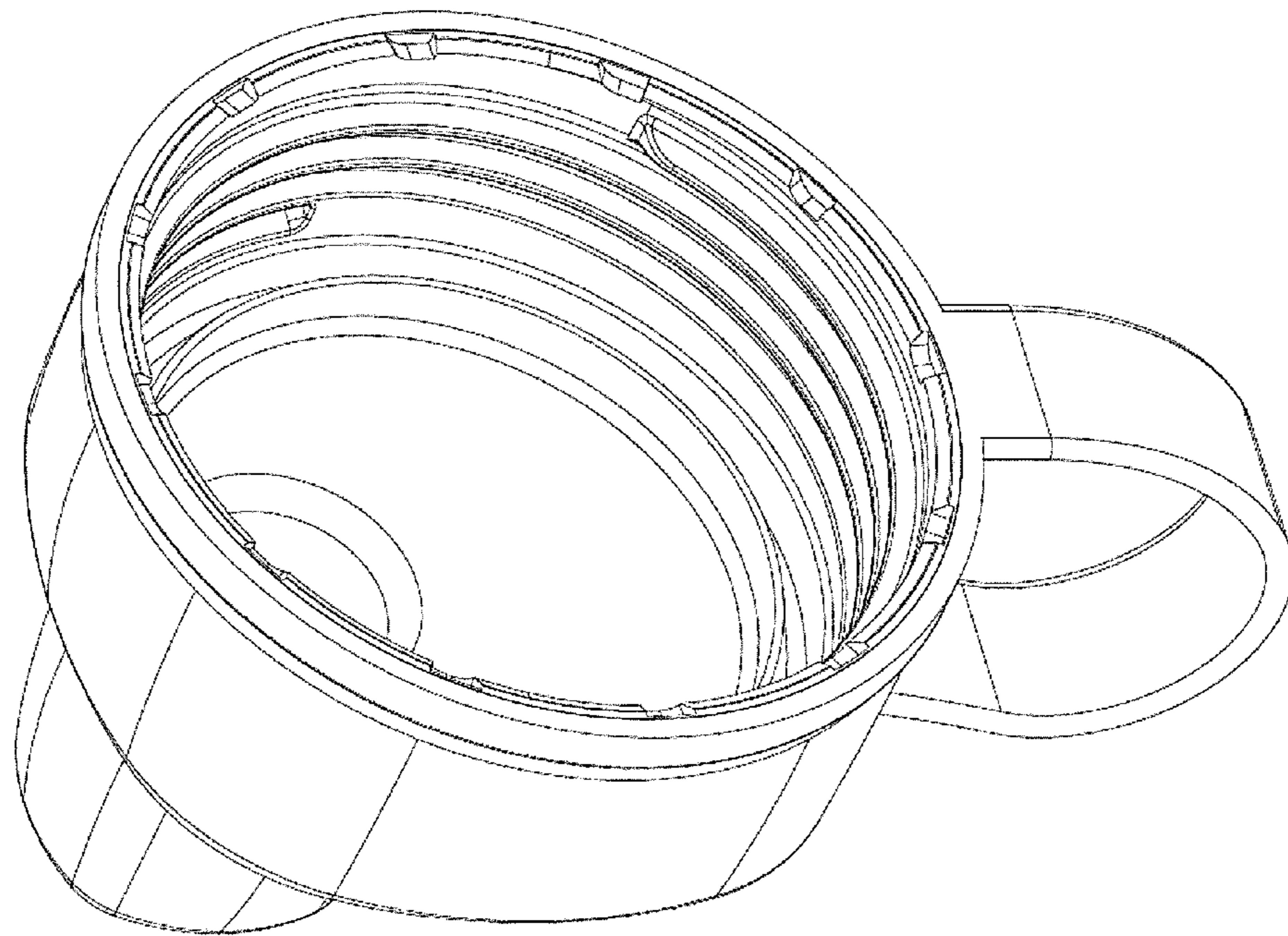


Figure 2

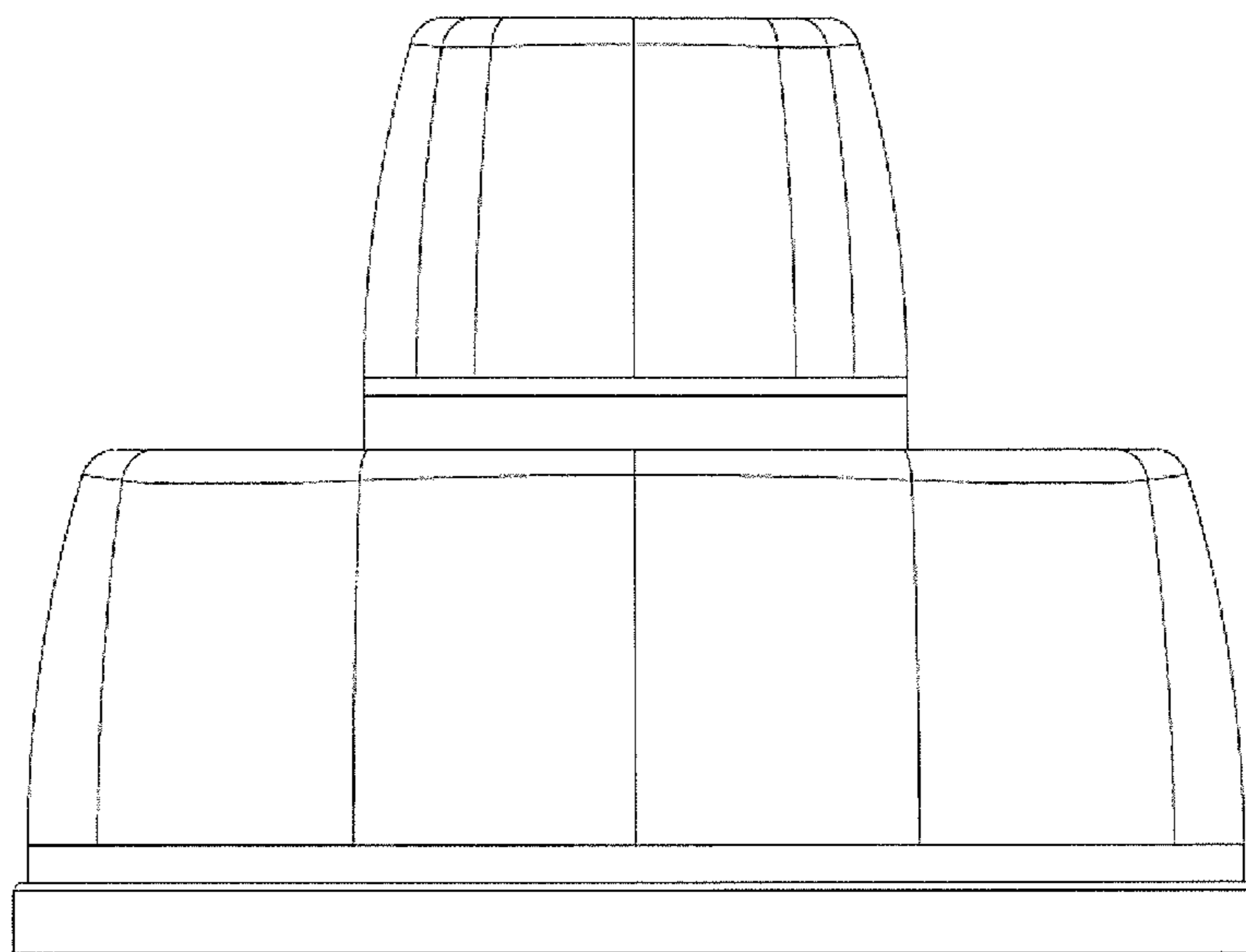


Figure 3

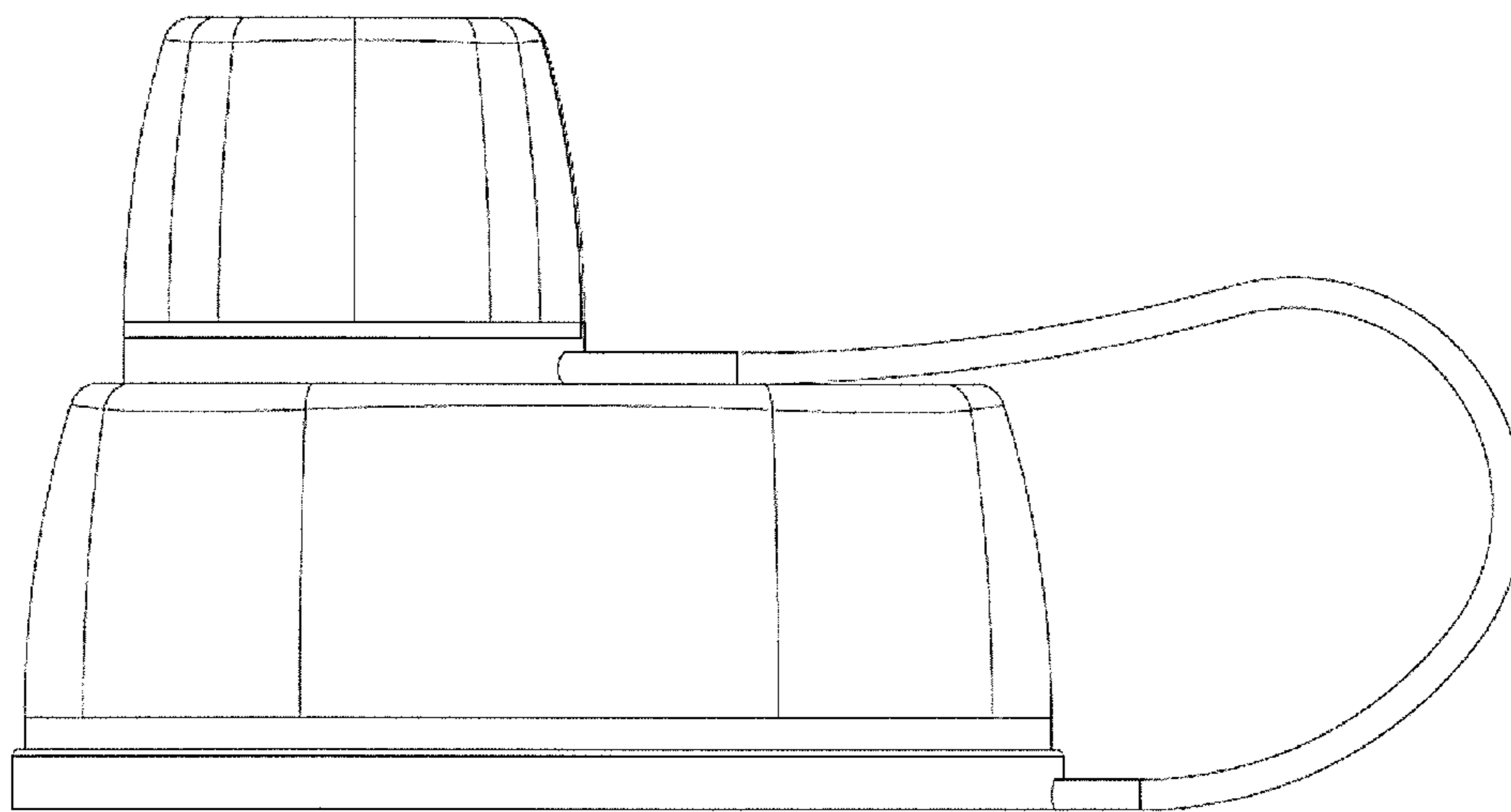


Figure 4

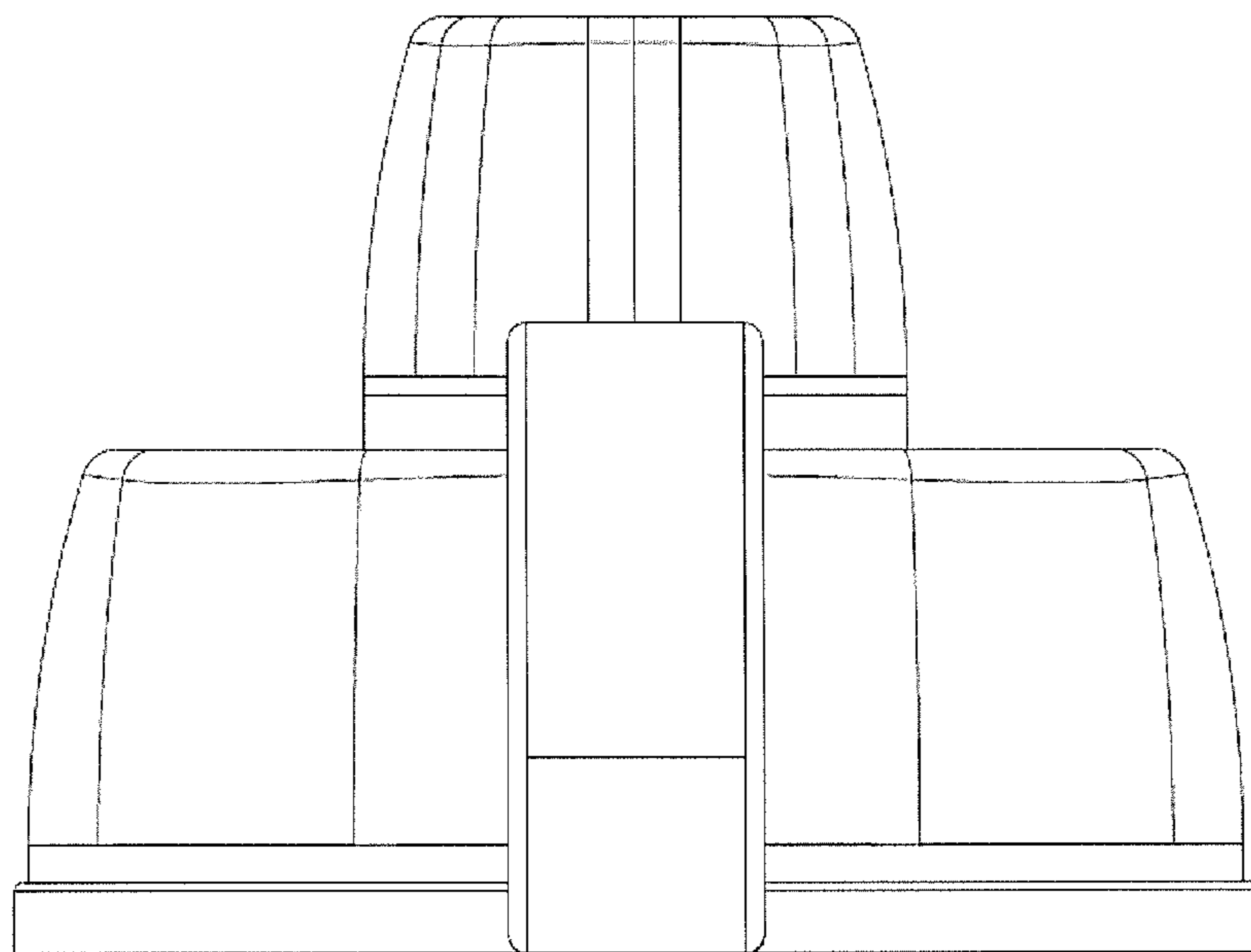


Figure 5

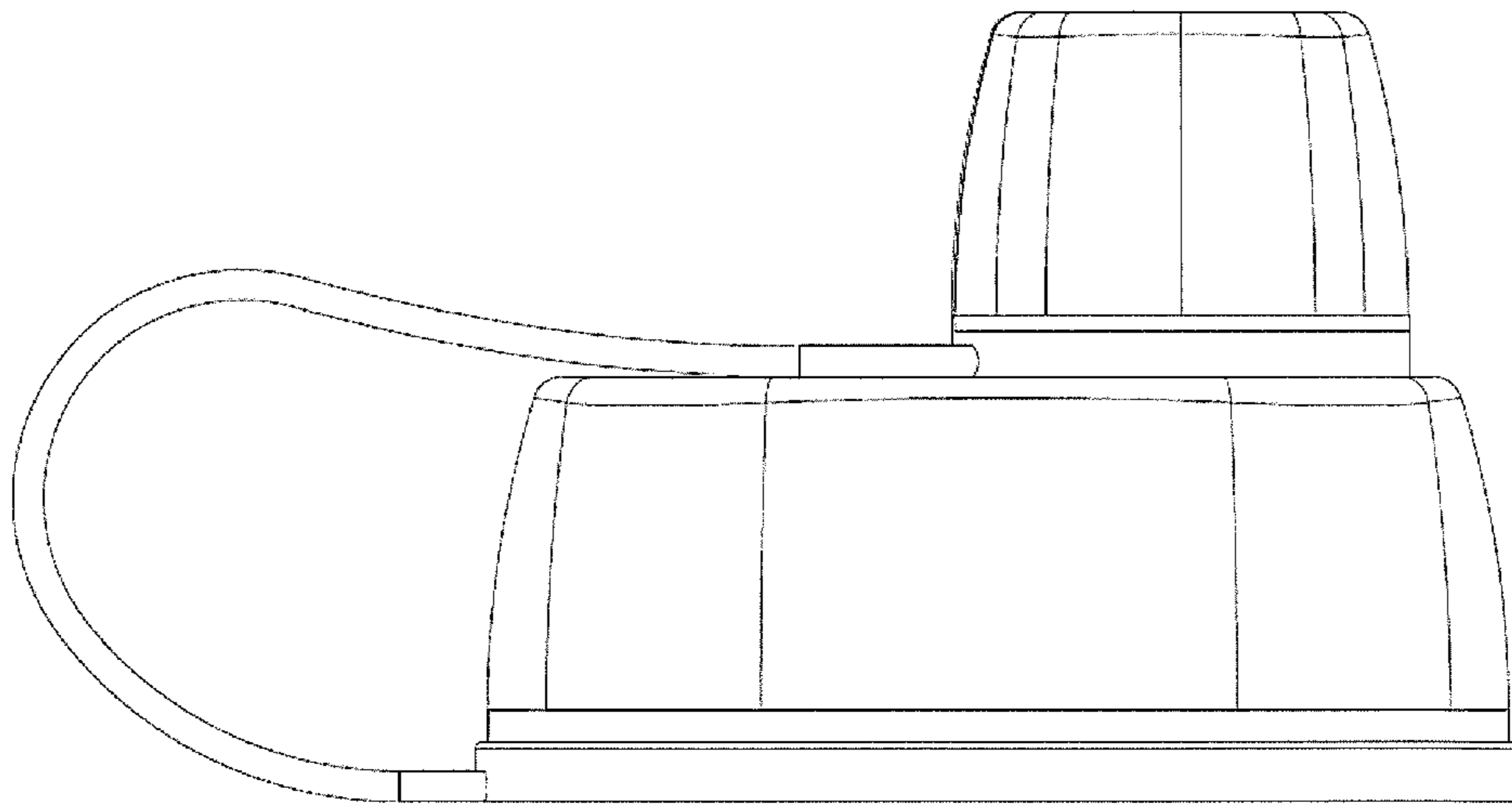


Figure 6

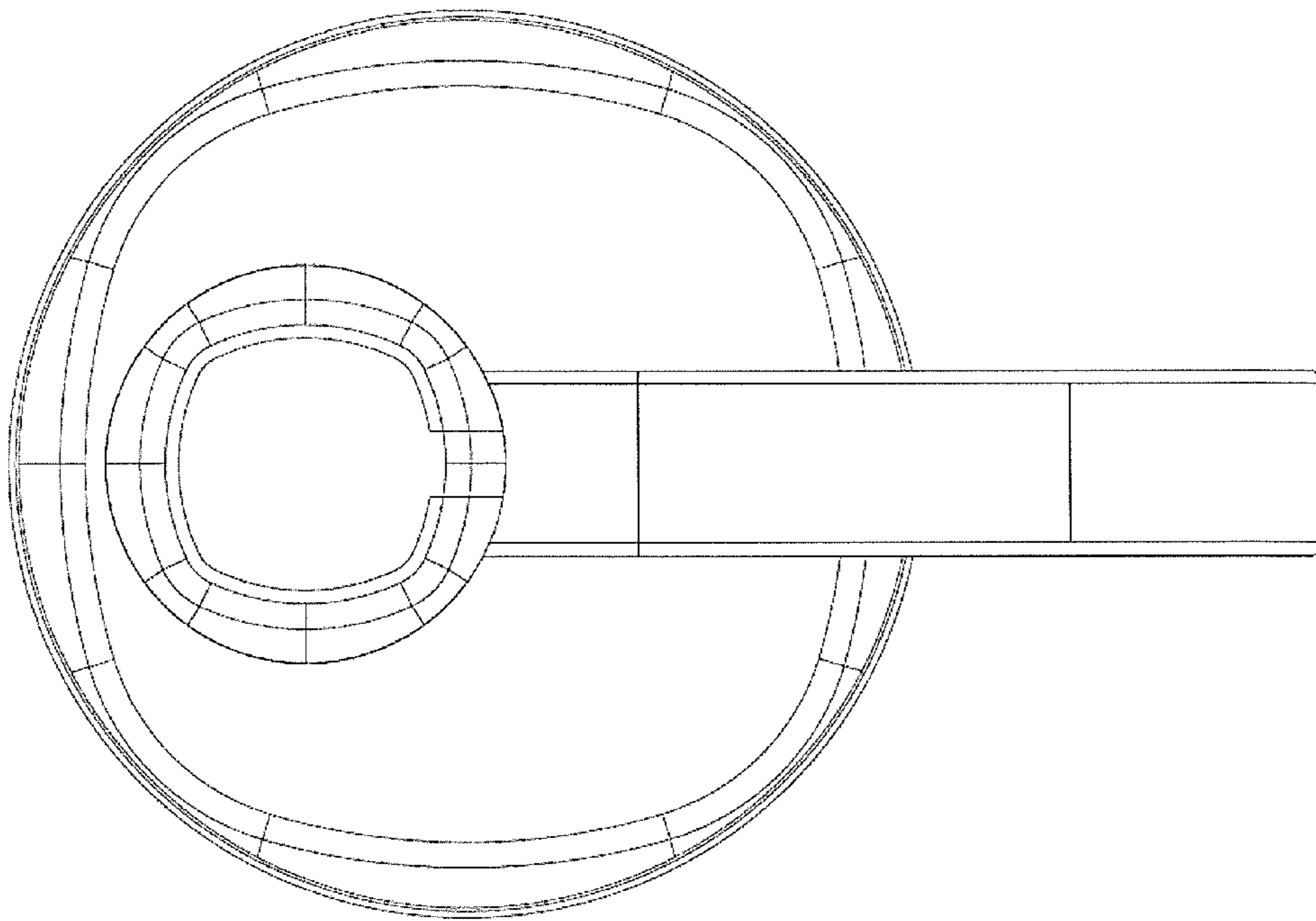


Figure 7

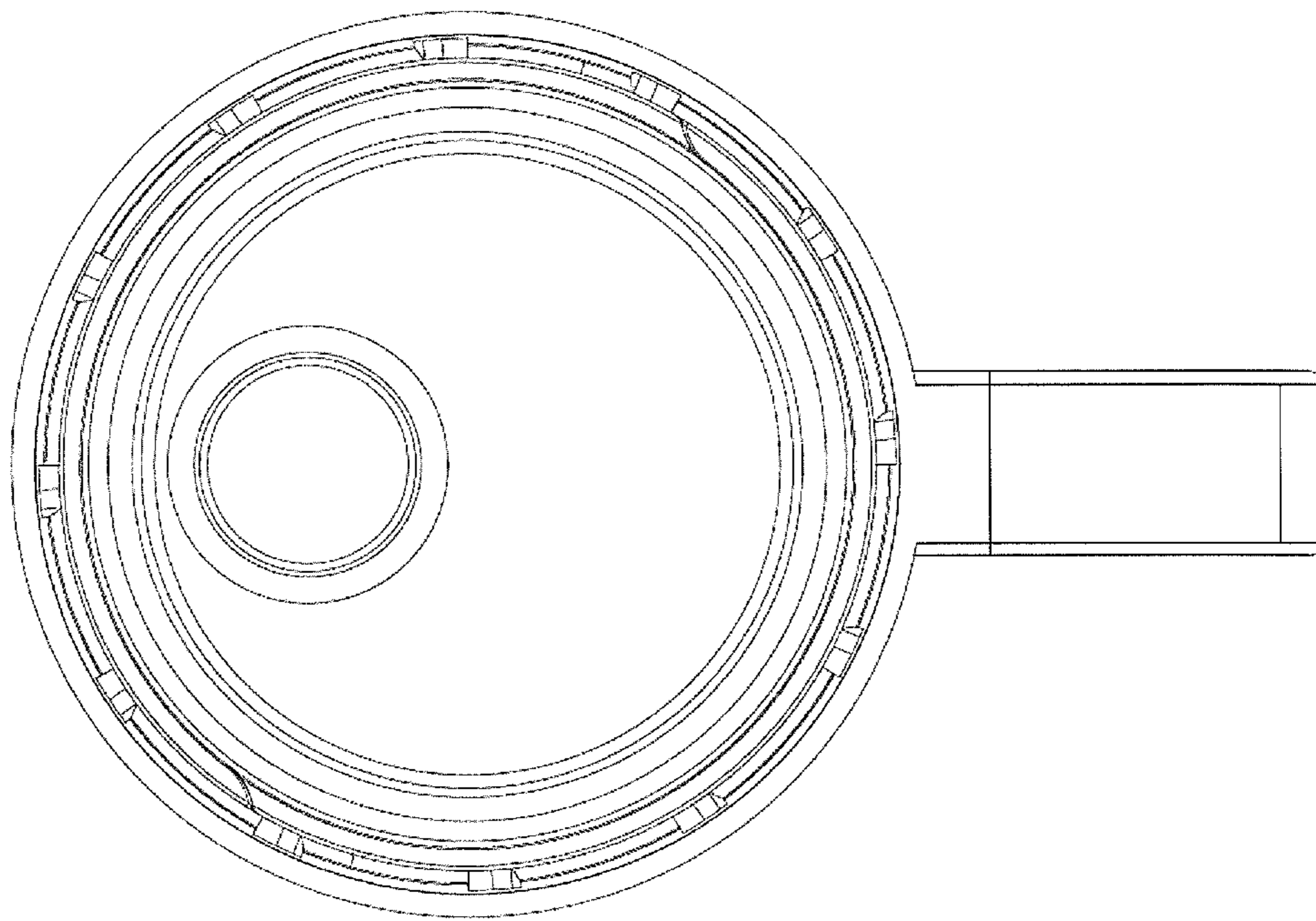


Figure 8