



US00D714583S

(12) **United States Design Patent**
Kwon et al.

(10) **Patent No.:** **US D714,583 S**
(45) **Date of Patent:** **** Oct. 7, 2014**

- (54) **SILICONE DIVIDER AND BAKE PAN**
- (75) Inventors: **Mikale K. Kwon**, Skokie, IL (US);
Cathy Rosch, Kenosha, WI (US); **Terry Puerzer**, Mundelien, IL (US); **Jennifer E. Dawes**, Grayslake, IL (US); **Alice Pace**, Round Lake, IL (US); **Eunjung (Grace) Huh**, Gurnee, IL (US)
- (73) Assignee: **Nuwave, LLC**, Libertyville, IL (US)
- (**) Term: **14 Years**
- (21) Appl. No.: **29/415,482**
- (22) Filed: **Mar. 11, 2012**

5,429,833 A *	7/1995	Wyslotsky	426/122
D363,879 S *	11/1995	Krupa et al.	D9/423
5,471,718 A *	12/1995	Harrill	27/7
D392,881 S *	3/1998	Bulcher et al.	D9/425
D446,719 S *	8/2001	Garraway	D9/425
D508,819 S *	8/2005	Mangla et al.	D14/203.3
D600,503 S *	9/2009	Ragsdale et al.	D7/553.4
D630,884 S *	1/2011	Stein	D7/354
D664,814 S *	8/2012	Lepore	D7/672

* cited by examiner

Primary Examiner — Ricky Pham

(74) *Attorney, Agent, or Firm* — Jeffrey Cikalo; ATFirm PLLC; Ralph P. Albrecht

Related U.S. Application Data

- (63) Continuation-in-part of application No. 13/277,212, filed on Oct. 19, 2011.

- (51) **LOC (10) Cl.** **07-02**
- (52) **U.S. Cl.**
USPC **D7/354**

- (58) **Field of Classification Search**
USPC D3/314; D7/323, 329–332, 337–339, D7/346–347, 350.1–350.4, 353–367, D7/388–395, 402–409, 538, 542–543, D7/553.4, 665, 672; D9/423–425; D14/203.3; 27/7; 99/324–325, 99/330–332, 337–343, 366–369, 393, 99/400–418, 422, 425, 444–450, 476; 126/9 B, 25 AA, 25 R, 30, 37 R, 41 R, 126/261, 378.1, 390.1; 219/368–387, 392, 219/400, 405, 429–442, 452.11, 620–624, 219/725, 730–735; 220/314–315, 486, 220/573.1–573.5, 592.16, 608, 912; 426/122

See application file for complete search history.

(56) **References Cited**

U.S. PATENT DOCUMENTS

D132,314 S *	5/1942	Melville	D7/354
D251,479 S *	4/1979	Cherry	D3/314
D255,658 S *	7/1980	Dugan et al.	D9/425
D288,295 S *	2/1987	Holden	D9/425

(57) **CLAIM**

The ornamental design for a silicone divider and bake pan, as shown and described.

DESCRIPTION

FIG. 1 is an isometric top perspective drawing of an exemplary silicone rectangular pan having a rim and a plurality of external according to an exemplary embodiment of the present invention;

FIG. 2 is an isometric top perspective drawing of an exemplary silicone divider for use with the pan of FIG. 1, according to an embodiment of the present invention;

FIG. 3 is an isometric bottom perspective drawing of an exemplary silicone rectangular pan of FIG. 1 having a rim and a plurality of external according to an exemplary embodiment of the present invention;

FIG. 4 is an isometric bottom perspective drawing of an exemplary silicone divider of FIG. 2 for use with the pan of FIG. 1, according to an embodiment of the present invention;

FIG. 5 is an isometric zoomed in top perspective drawing of an exemplary silicone rectangular pan of FIG. 1, having a rim and a plurality of external according to an exemplary embodiment of the present invention;

FIG. 6 is an isometric zoomed in top perspective partial drawing of an exemplary silicone divider of FIG. 2 for use with the pan of FIG. 1, according to an embodiment of the present invention;

FIG. 7 is a top orthographic view of the pan of FIG. 1 according to an embodiment of the present invention;

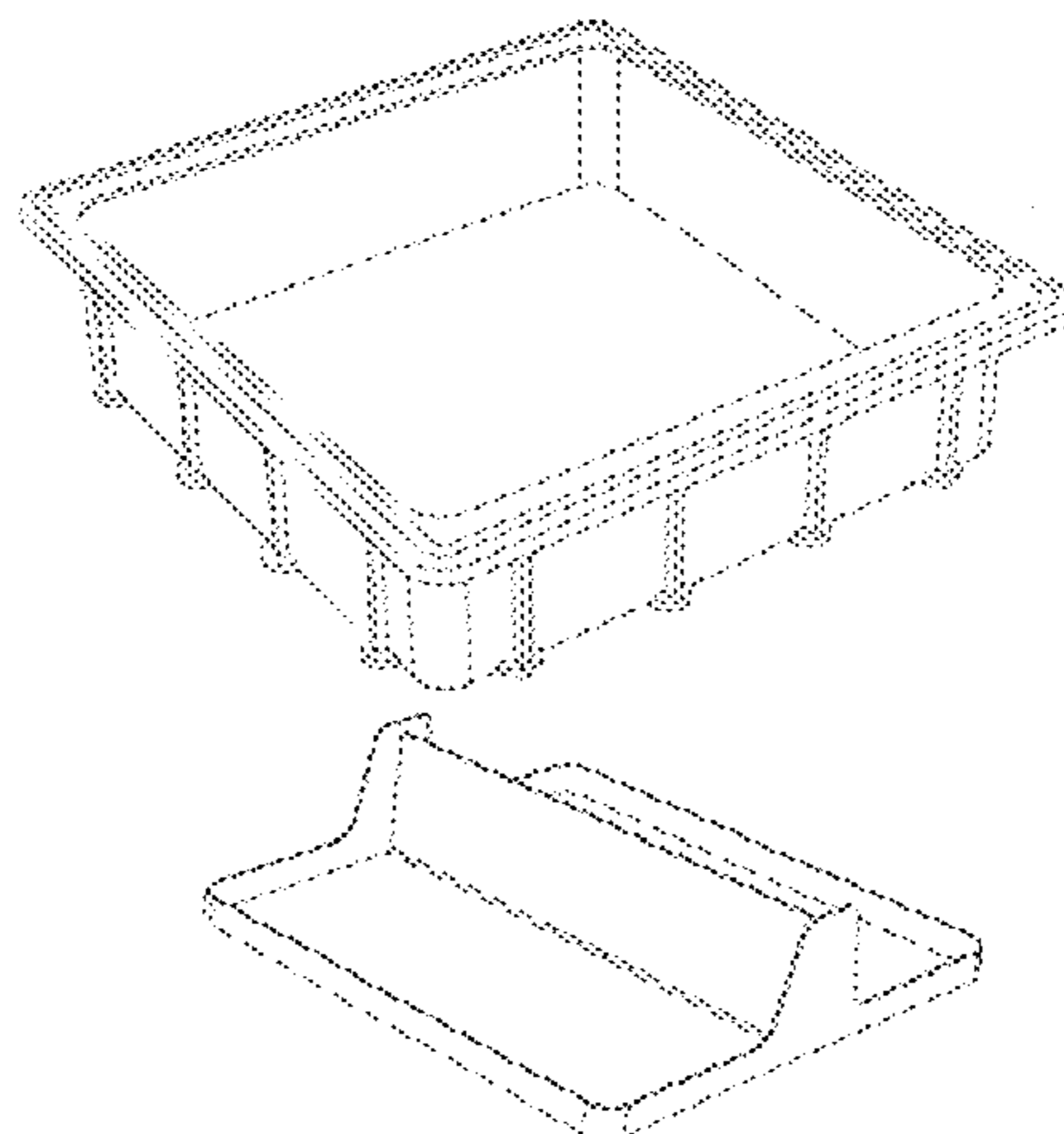


FIG. 8 is a top orthographic view of the divider of FIG. 2 according to an embodiment of the present invention;
FIG. 9 is a front orthographic view of the pan of FIG. 1 according to an embodiment of the present invention;
FIG. 10 is a front orthographic view of the divider of FIG. 2 according to an embodiment of the present invention;
FIG. 11 is a zoomed in front orthographic view of the pan of FIG. 1 according to an embodiment of the present invention;
FIG. 12 is a transparent drawing illustrating the pan of FIG. 1 in a front orthographic view according to an embodiment of the present invention;
FIG. 13 is a front orthographic view of the divider of FIG. 2 according to an embodiment of the present invention;

FIG. 14 is an exemplary orthographic view of an exemplary divider of FIG. 2 including exemplary but nonlimiting dimensions, according to an embodiment of the present invention;
FIG. 15 is an exemplary photographic image of an exemplary but nonlimiting red silicone baking pan of FIG. 1, according to an embodiment of the present invention; and,
FIG. 16 is an exemplary photographic image of an exemplary but nonlimiting red divider of FIG. 2, according to an embodiment of the present invention.

1 Claim, 8 Drawing Sheets

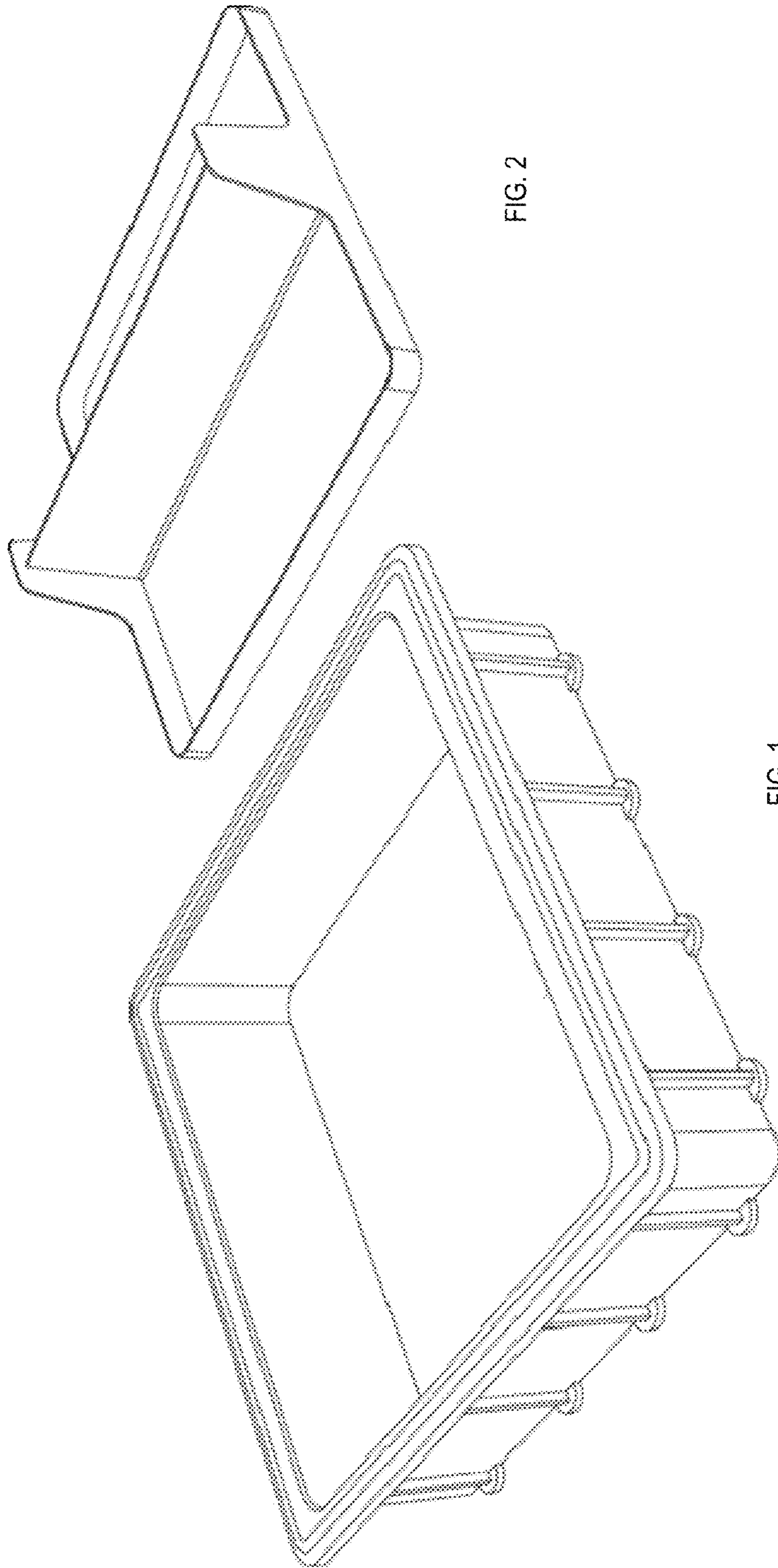


FIG. 2

FIG. 1

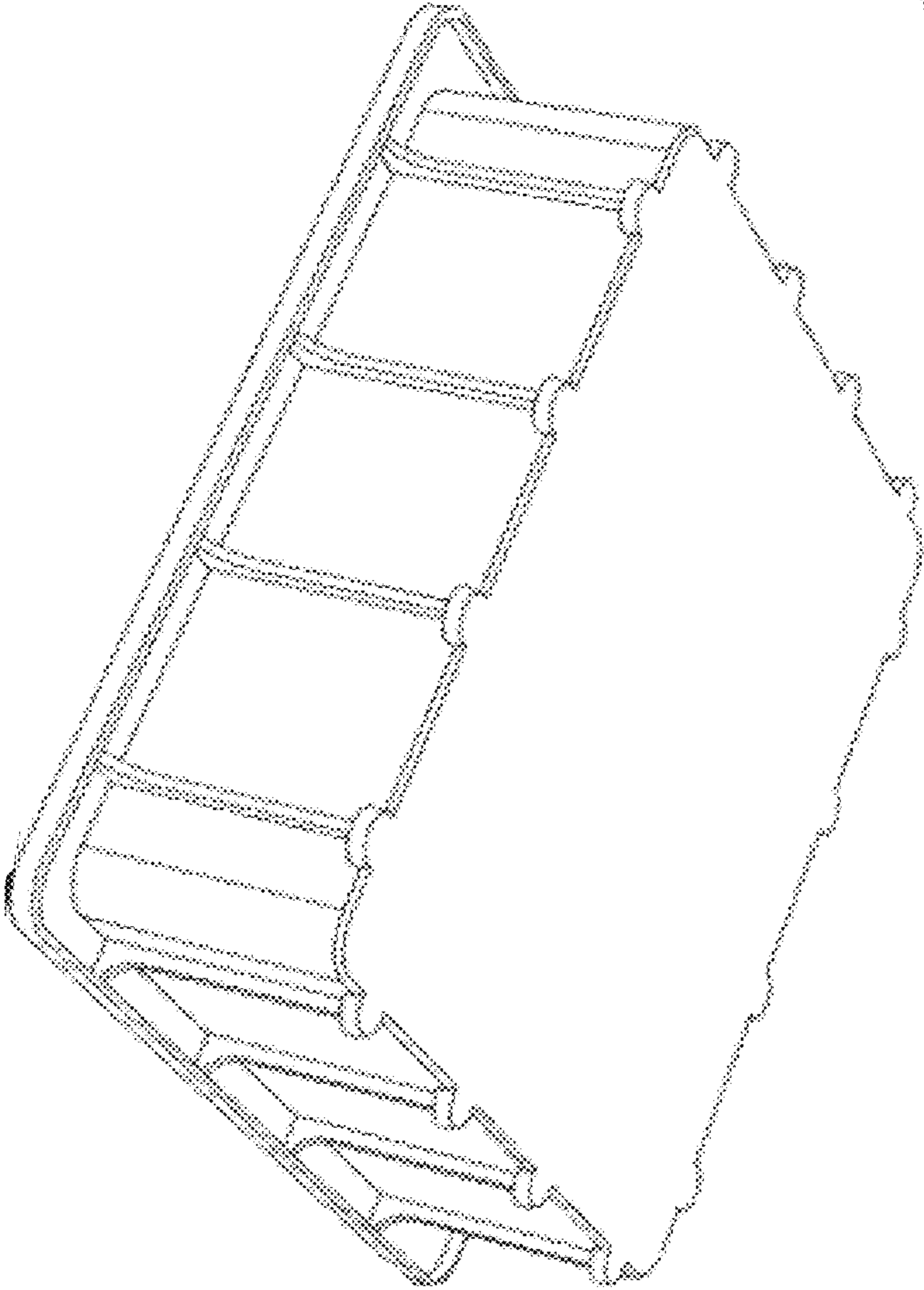


FIG. 3

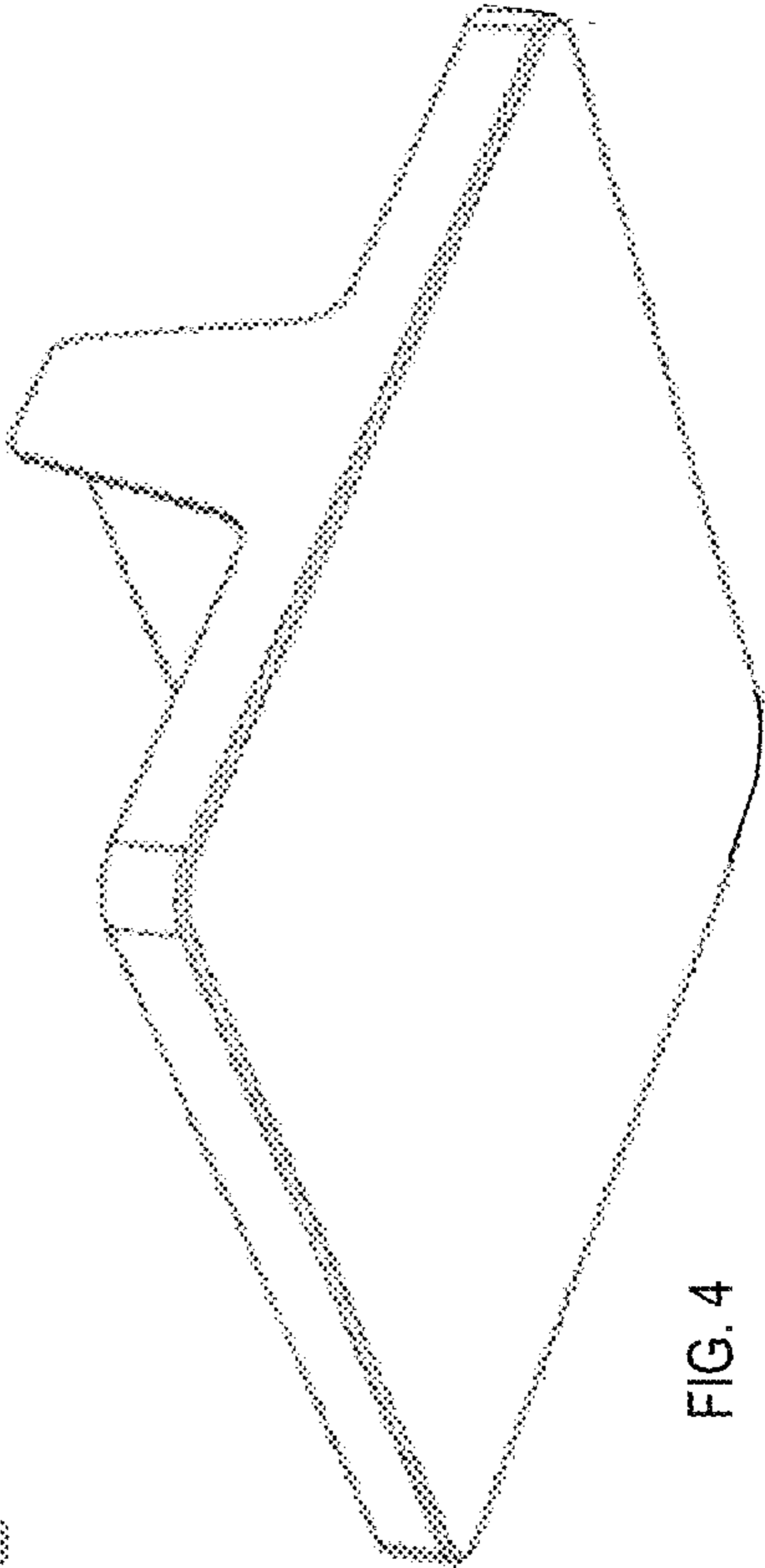


FIG. 4

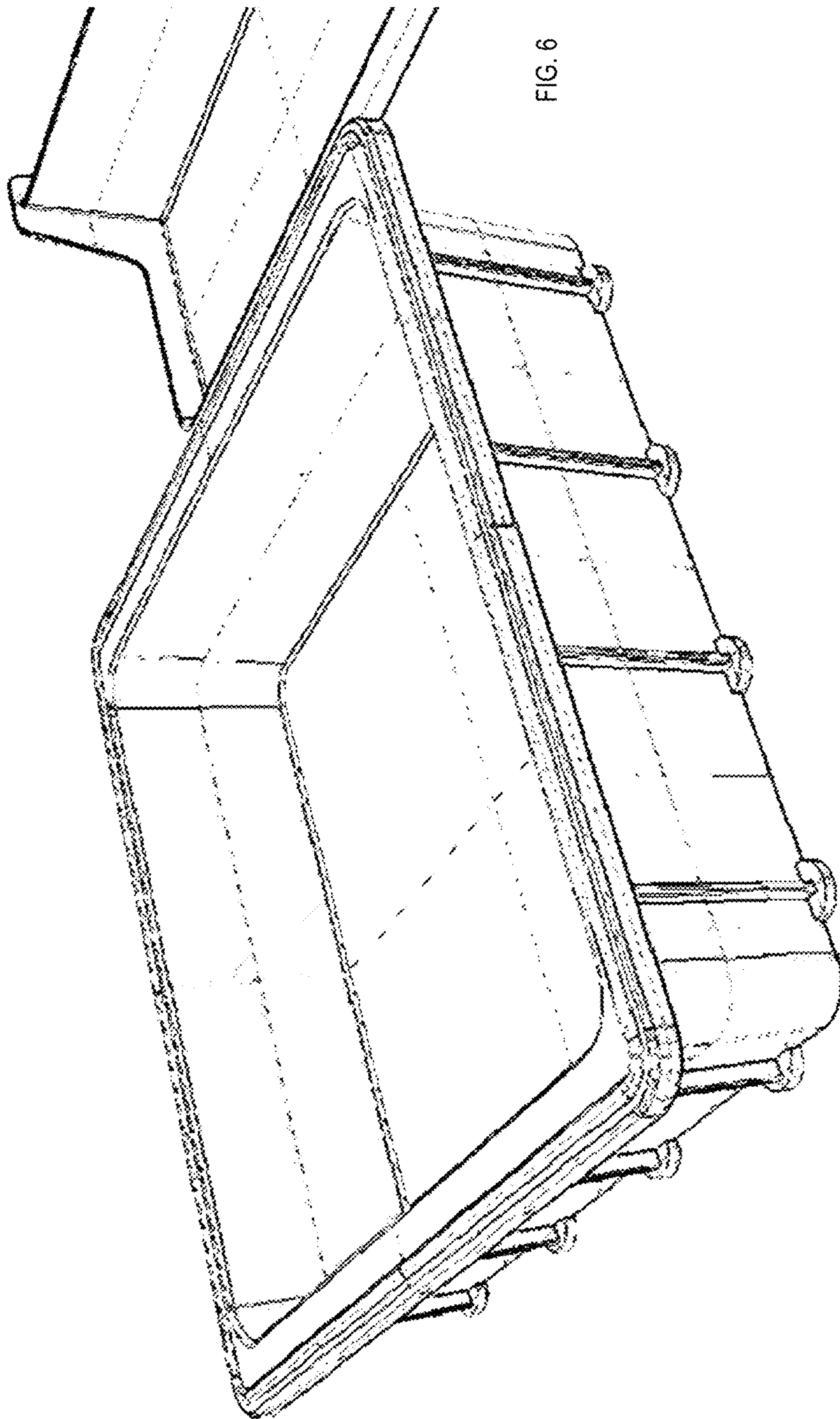


FIG. 6

FIG. 5

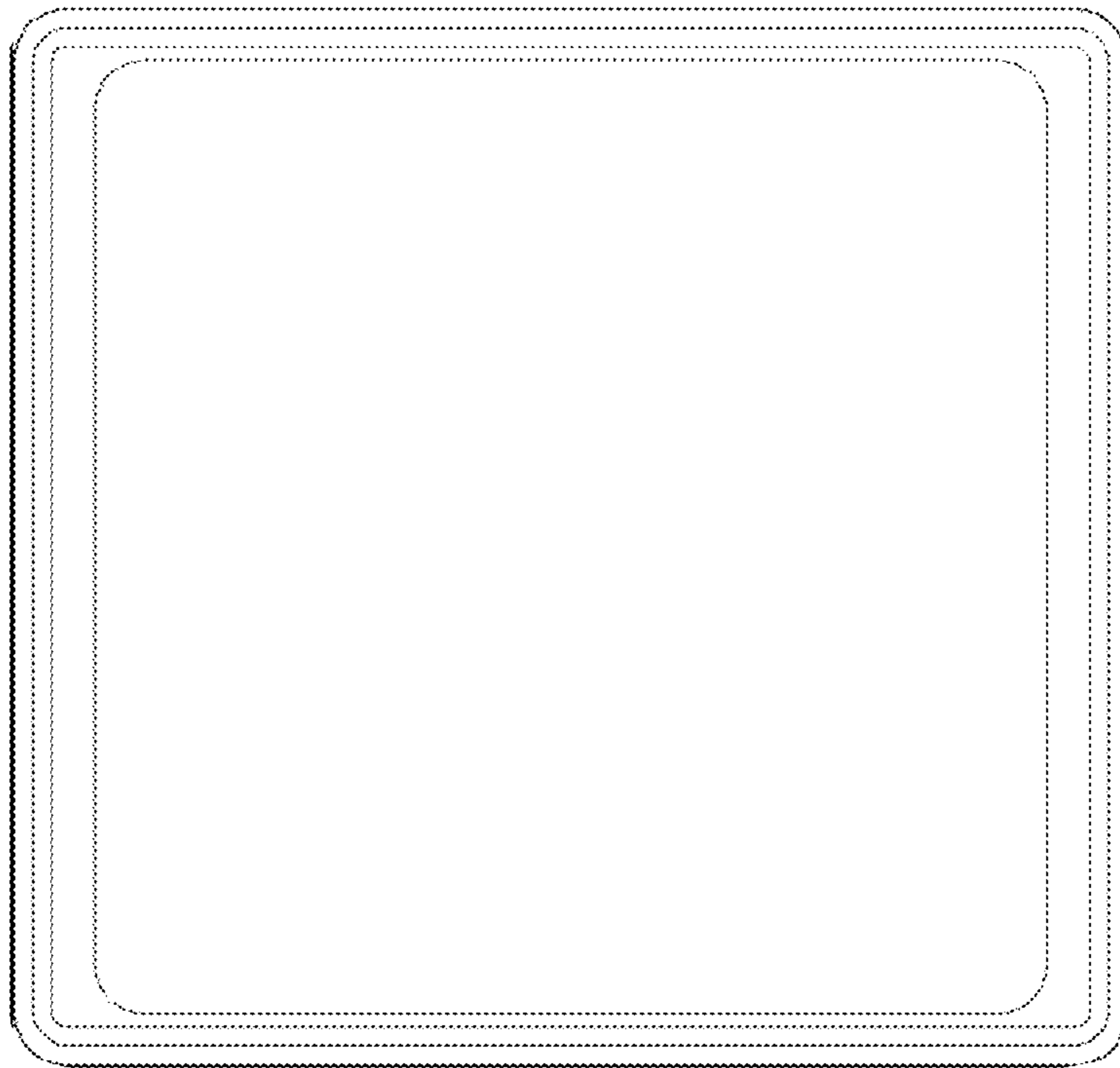


FIG. 7

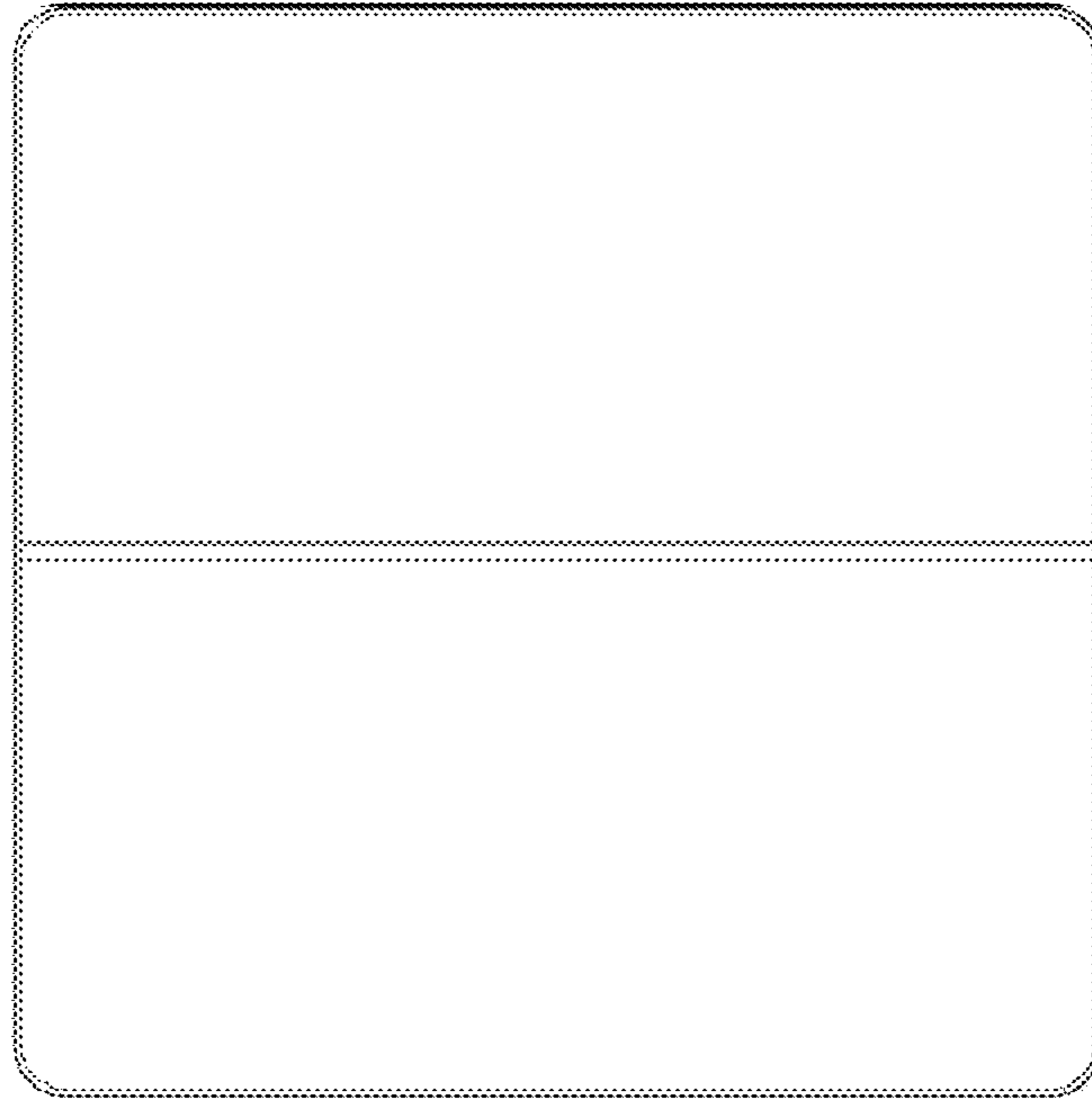


FIG. 8

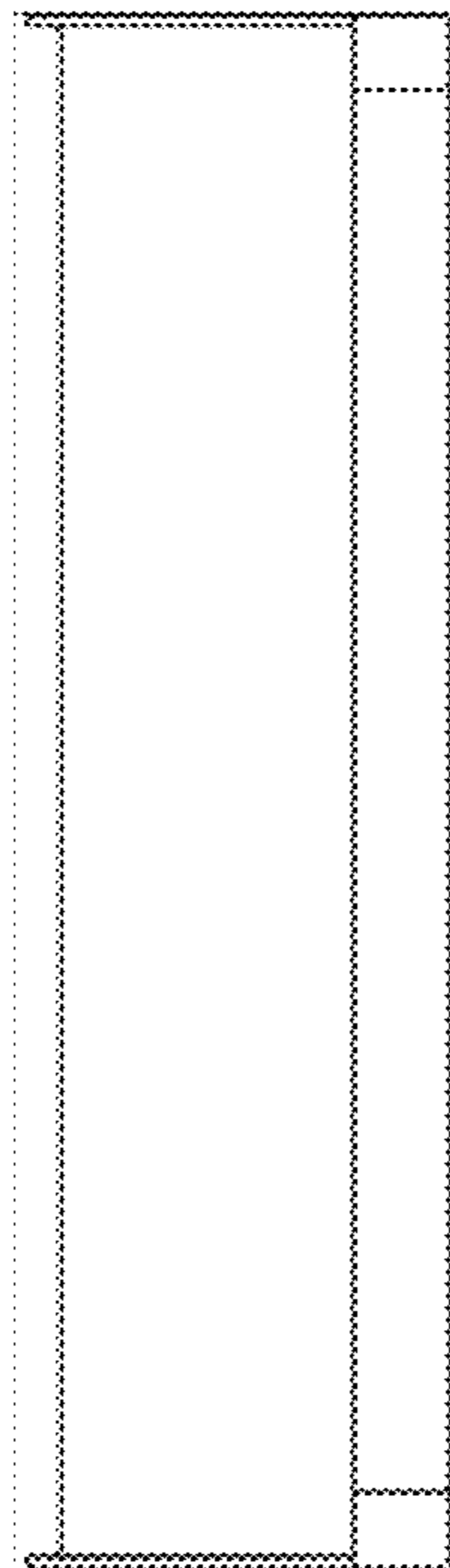


FIG. 10

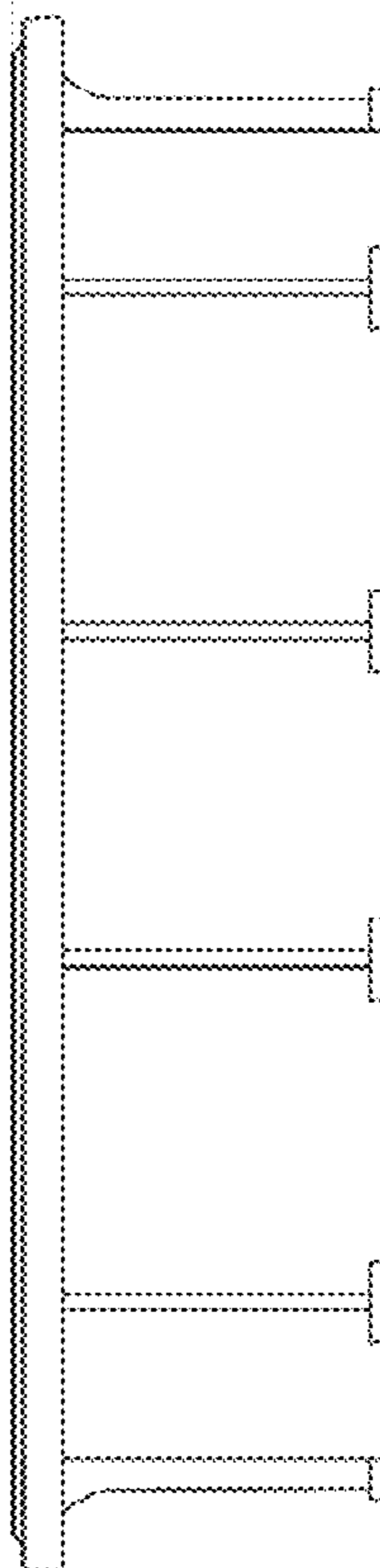


FIG. 9

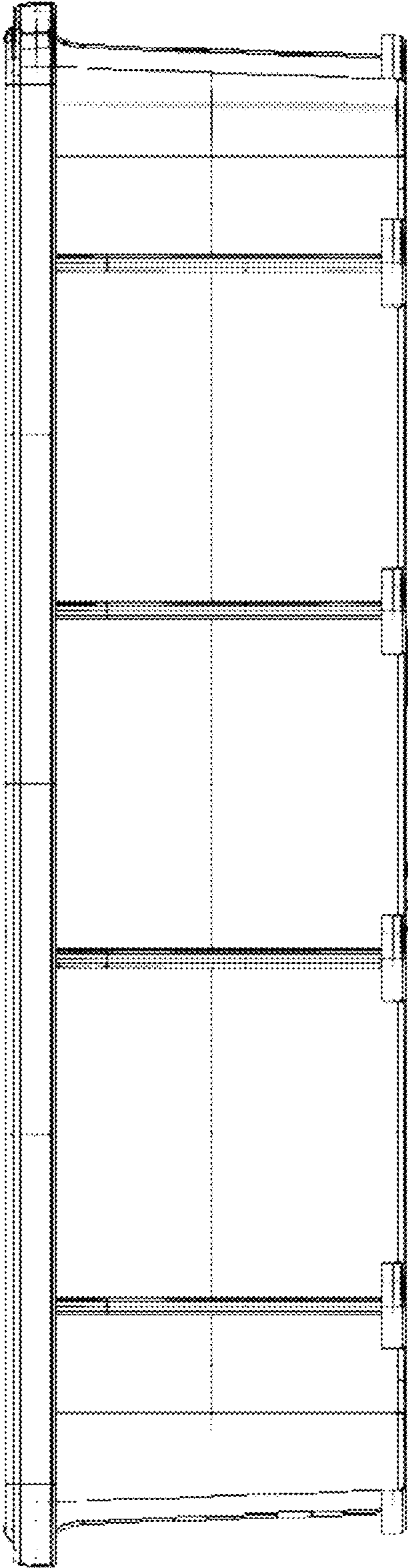
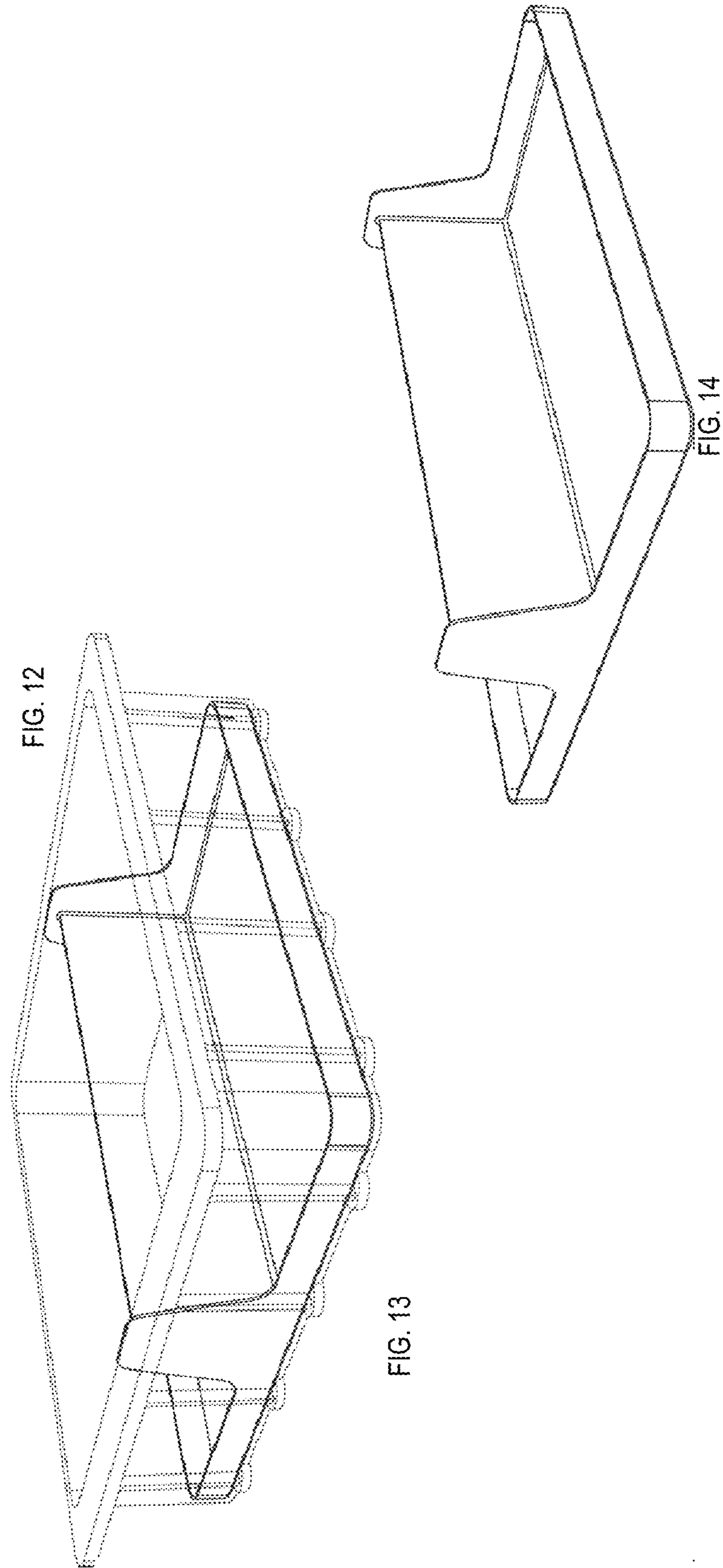


FIG. 11



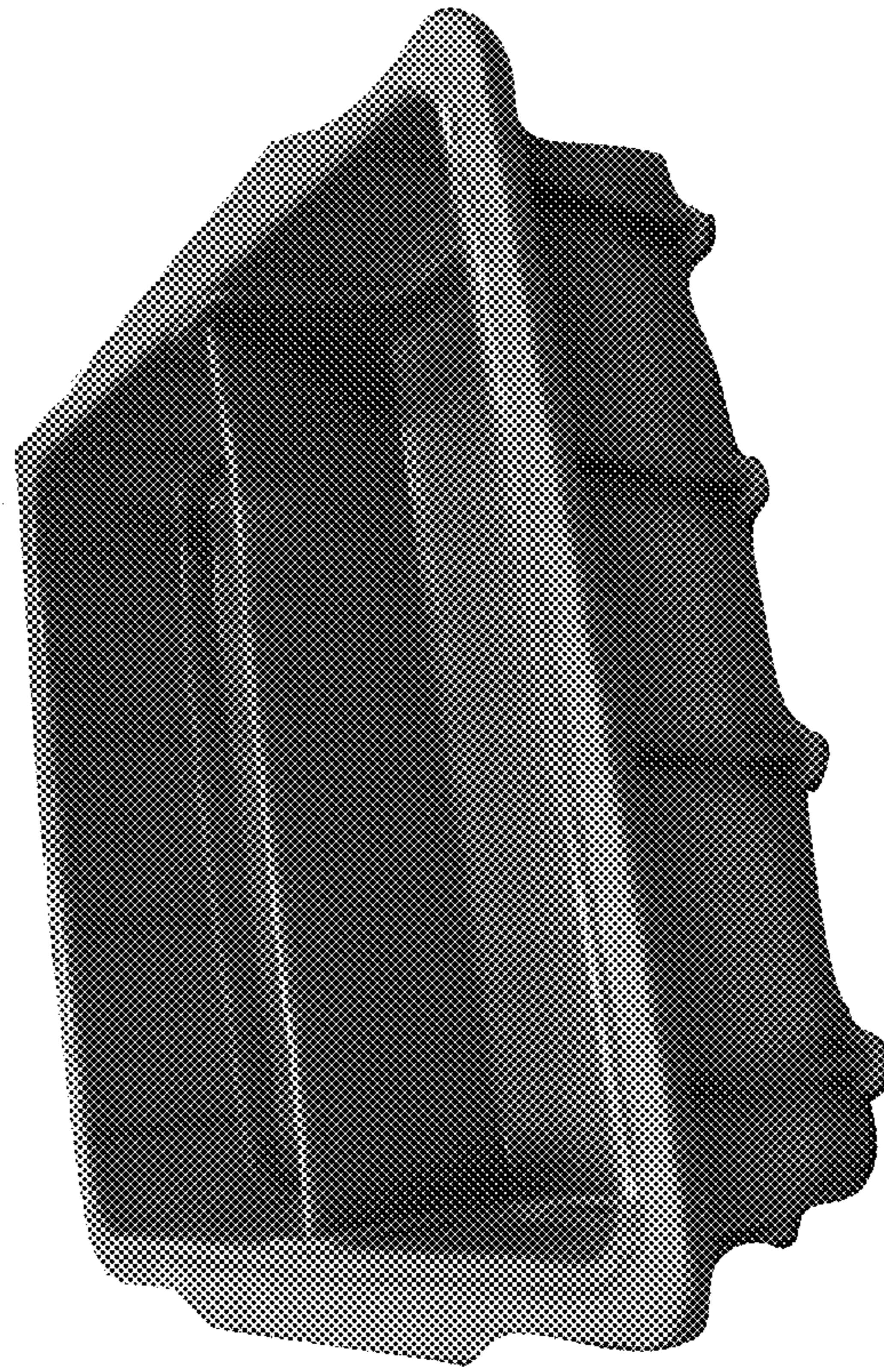


FIG. 16

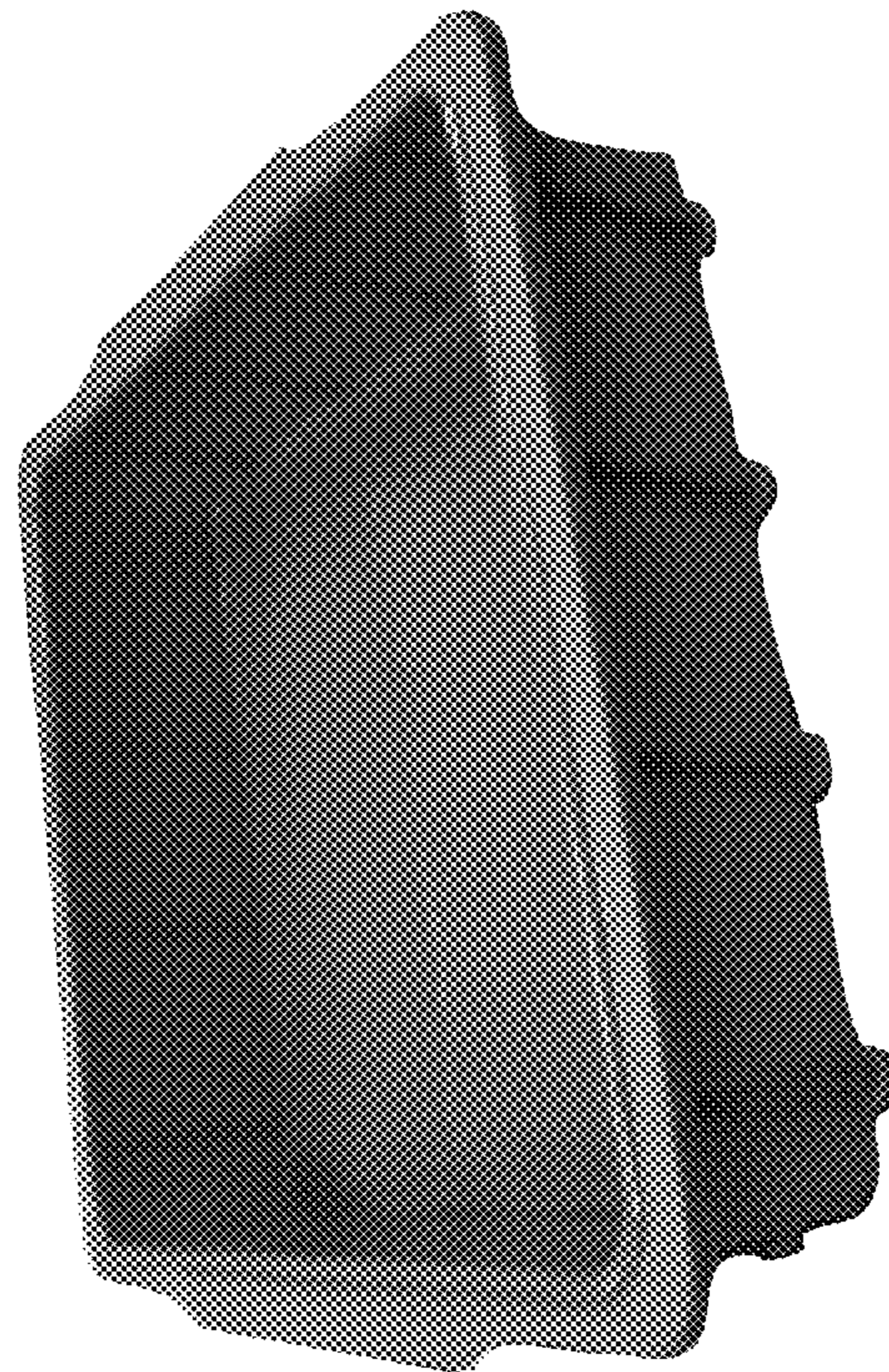


FIG. 15