



US00D714582S

(12) **United States Design Patent**
Norland et al.

(10) **Patent No.:** **US D714,582 S**
(45) **Date of Patent:** **** Oct. 7, 2014**

- (54) **KETTLE**
- (71) Applicant: **Whirlpool Corporation**, Benton Harbor, MI (US)
- (72) Inventors: **Leif A. Norland**, Saint Joseph, MI (US);
Wenkai Wu, Inverness, IL (US)
- (73) Assignee: **Whirlpool Corporation**, Benton Harbor, MI (US)
- (**) Term: **14 Years**
- (21) Appl. No.: **29/447,354**
- (22) Filed: **Mar. 1, 2013**
- (51) **LOC (10) Cl.** **07-01**
- (52) **U.S. Cl.**
USPC **D7/322; D7/321**
- (58) **Field of Classification Search**
CPC **A47G 19/14; A47J 31/10**
USPC **D7/322, 321, 312, 317-319; 222/1, 222/469, 500; 99/303, 323.3; 219/494, 437**
See application file for complete search history.

- D638,248 S * 5/2011 Lebowitz et al. D7/322
- D683,997 S * 6/2013 Sehdev D7/322
- D683,998 S * 6/2013 Sehdev D7/322

* cited by examiner

Primary Examiner — Marianne Pandozzi

(57) **CLAIM**

We claim the ornamental design for a kettle, as shown and described.

DESCRIPTION

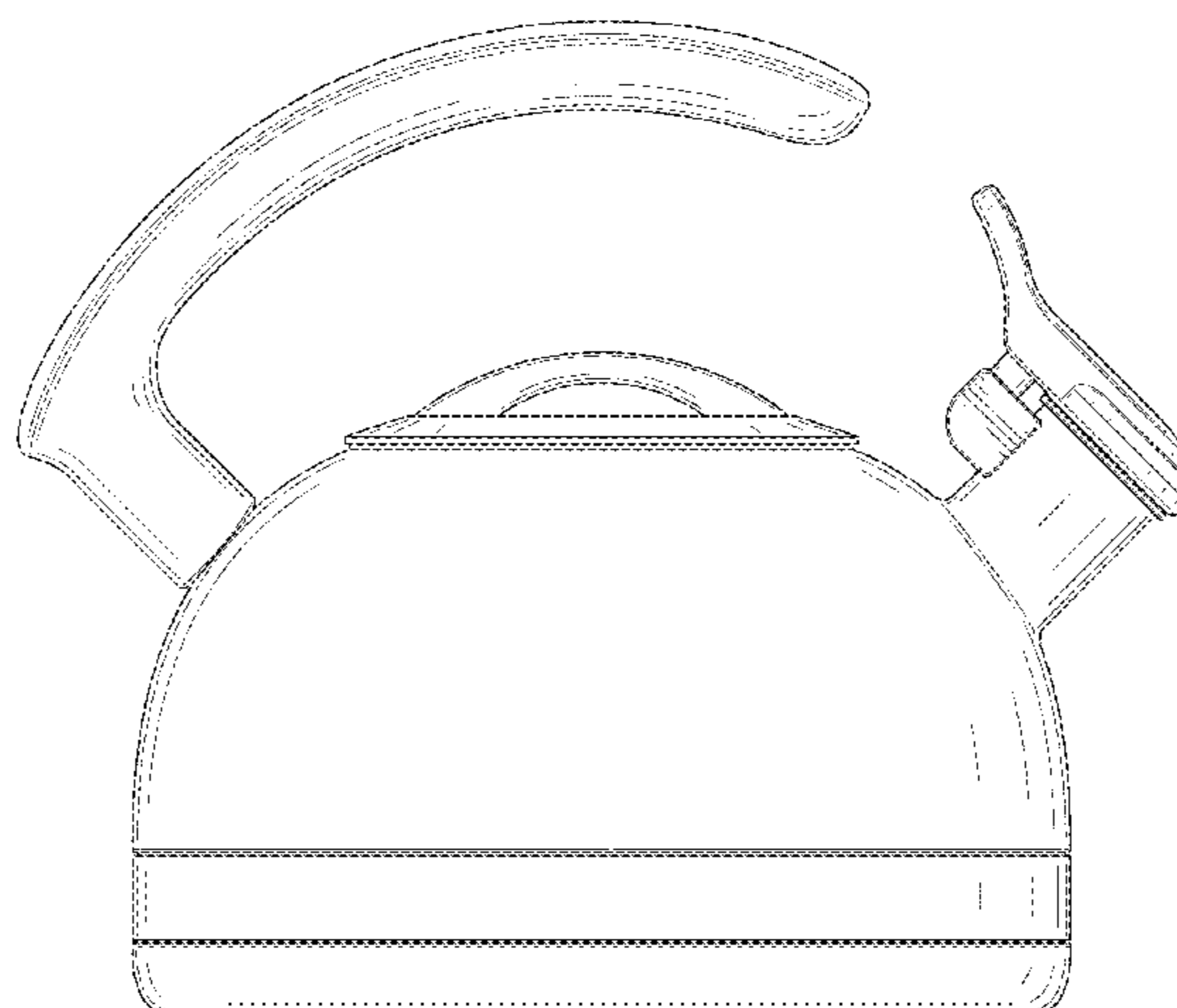
FIG. 1 is a top perspective view of a kettle showing our new design;
 FIG. 2 is a right side view thereof;
 FIG. 3 is a left view thereof;
 FIG. 4 is a front view thereof;
 FIG. 5 is a rear view thereof;
 FIG. 6 is a top plan view thereof;
 FIG. 7 is a bottom plan view thereof;
 FIG. 8 is a top perspective view of a kettle showing a second embodiment of our new design;
 FIG. 9 is a right side view thereof;
 FIG. 10 is a left view thereof;
 FIG. 11 is a front view thereof;
 FIG. 12 is a rear side view thereof;
 FIG. 13 is a top plan view thereof;
 FIG. 14 is a bottom plan view thereof;
 FIG. 15 is a top perspective view of a kettle showing our new design;
 FIG. 16 is a right side view thereof;
 FIG. 17 is a left view thereof;
 FIG. 18 is a front view thereof;
 FIG. 19 is a rear side view thereof;
 FIG. 20 is a top plan view thereof; and,
 FIG. 21 is a bottom plan view thereof.
 The broken lines in the drawings are included for the purpose of illustration and form no part of the claimed design.

(56) **References Cited**

U.S. PATENT DOCUMENTS

- D282,810 S * 3/1986 Urich D7/322
- D448,963 S * 10/2001 Shim D7/322
- D478,767 S * 8/2003 Lebowitz D7/322
- D490,641 S * 6/2004 Lebowitz D7/321
- D497,511 S * 10/2004 Lebowitz D7/322
- D501,355 S * 2/2005 Graves et al. D7/322
- D502,838 S * 3/2005 Ancona D7/321
- 7,004,360 B2 * 2/2006 Lebowitz 222/500
- D541,100 S * 4/2007 Lebowitz D7/322
- D574,657 S * 8/2008 Lebowitz D7/321
- D574,658 S * 8/2008 Grund et al. D7/322
- D574,659 S * 8/2008 Lebowitz D7/322
- D626,780 S * 11/2010 Gatto D7/322

1 Claim, 21 Drawing Sheets



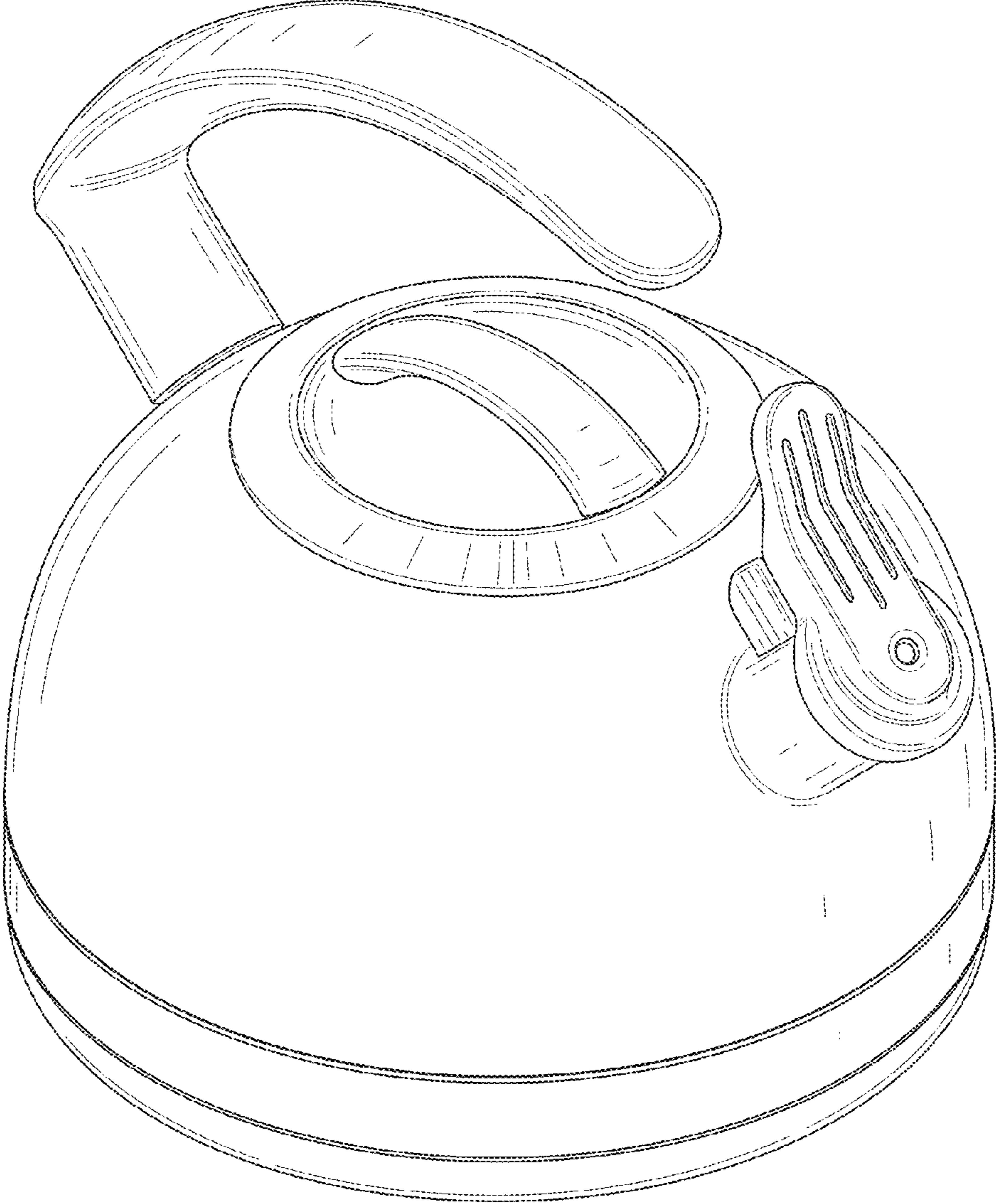


FIG. 1

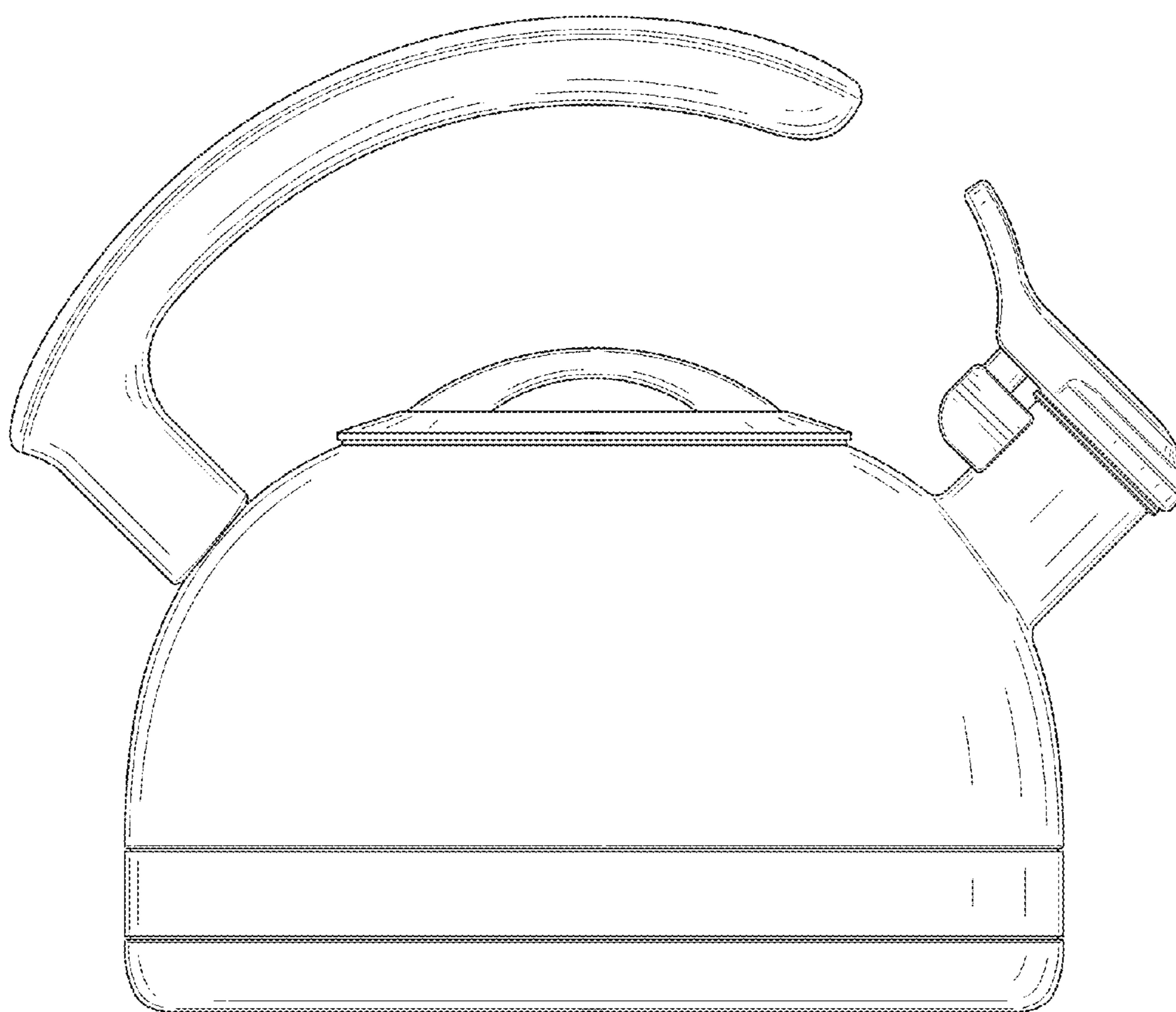


FIG. 2

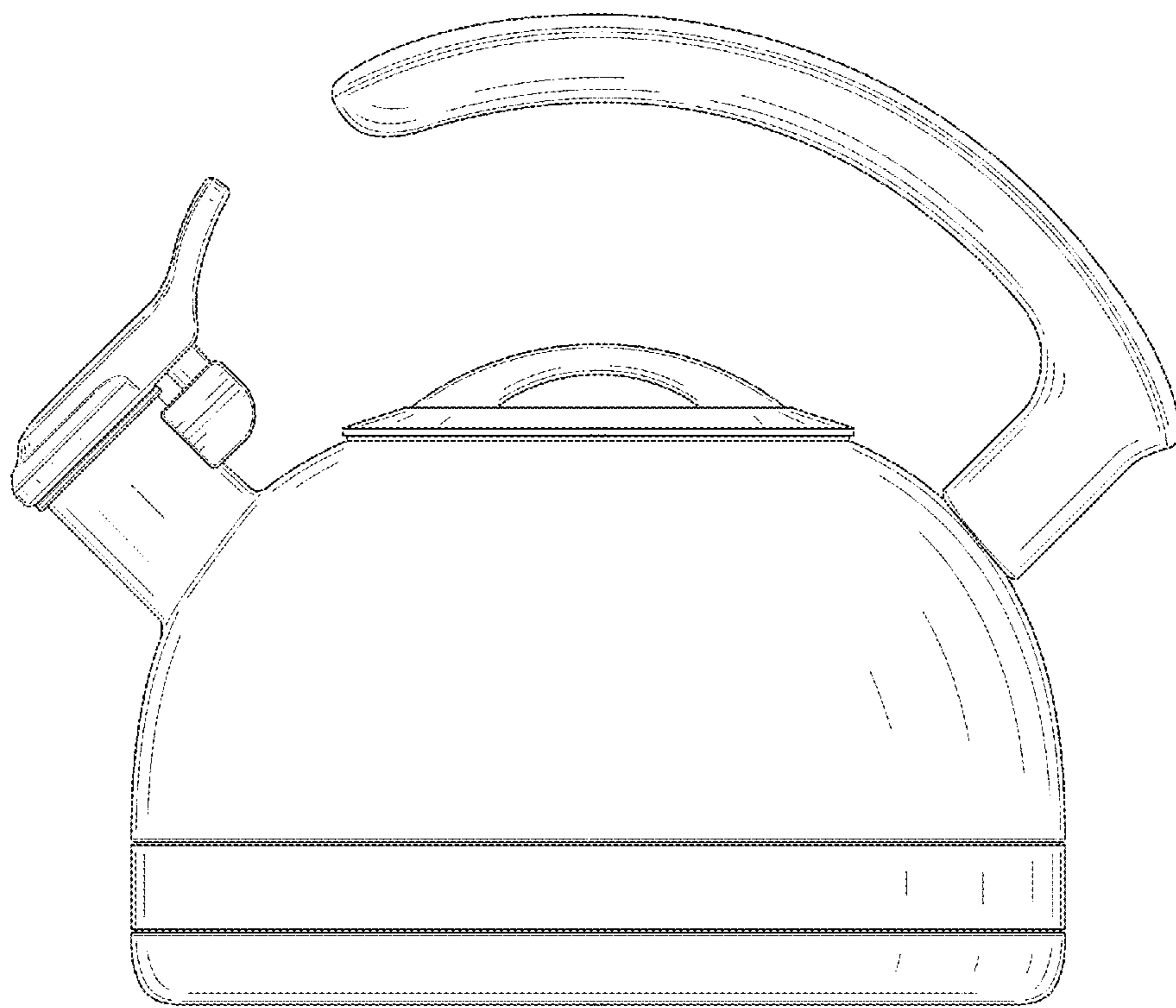


FIG. 3

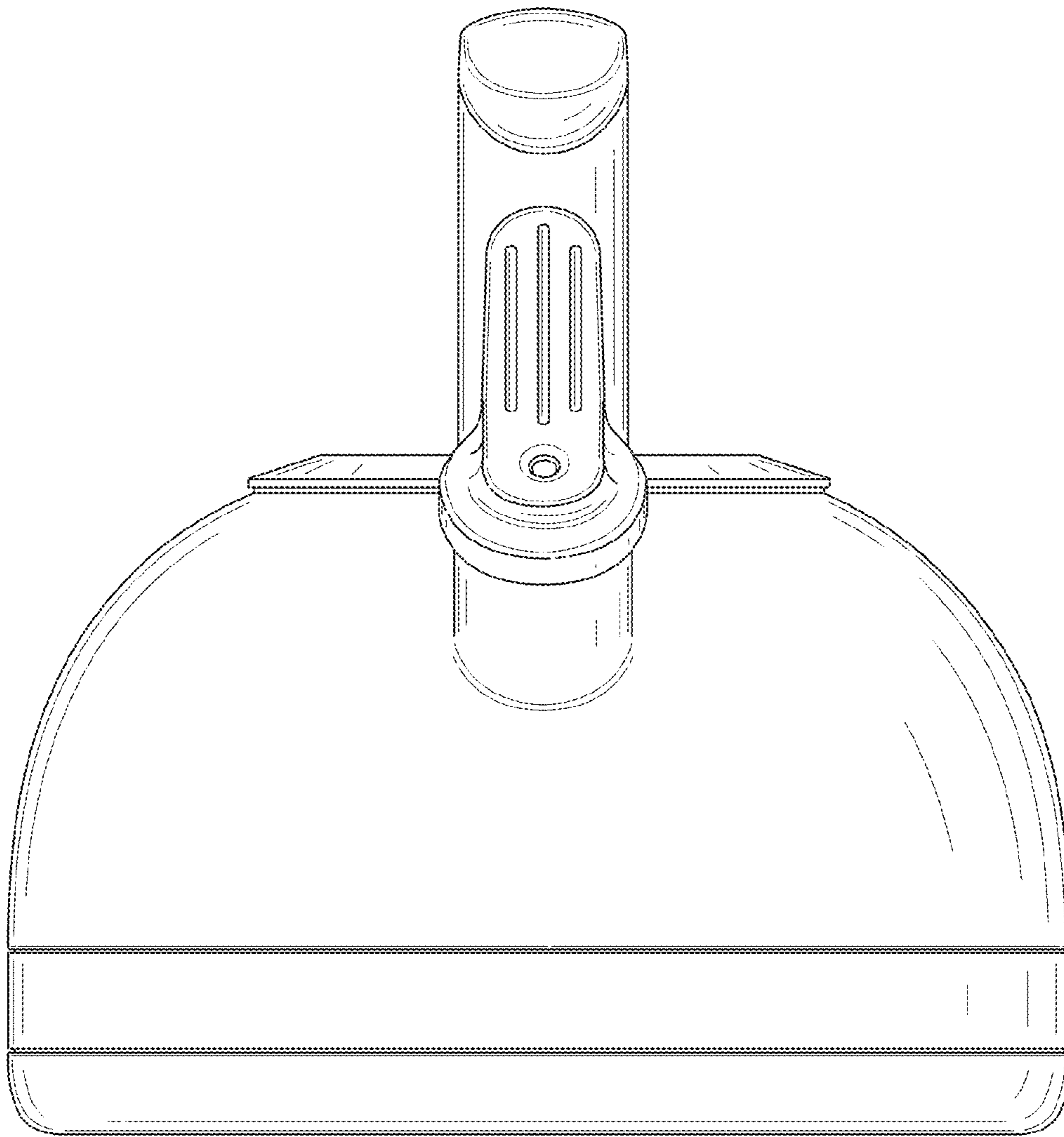


FIG. 4

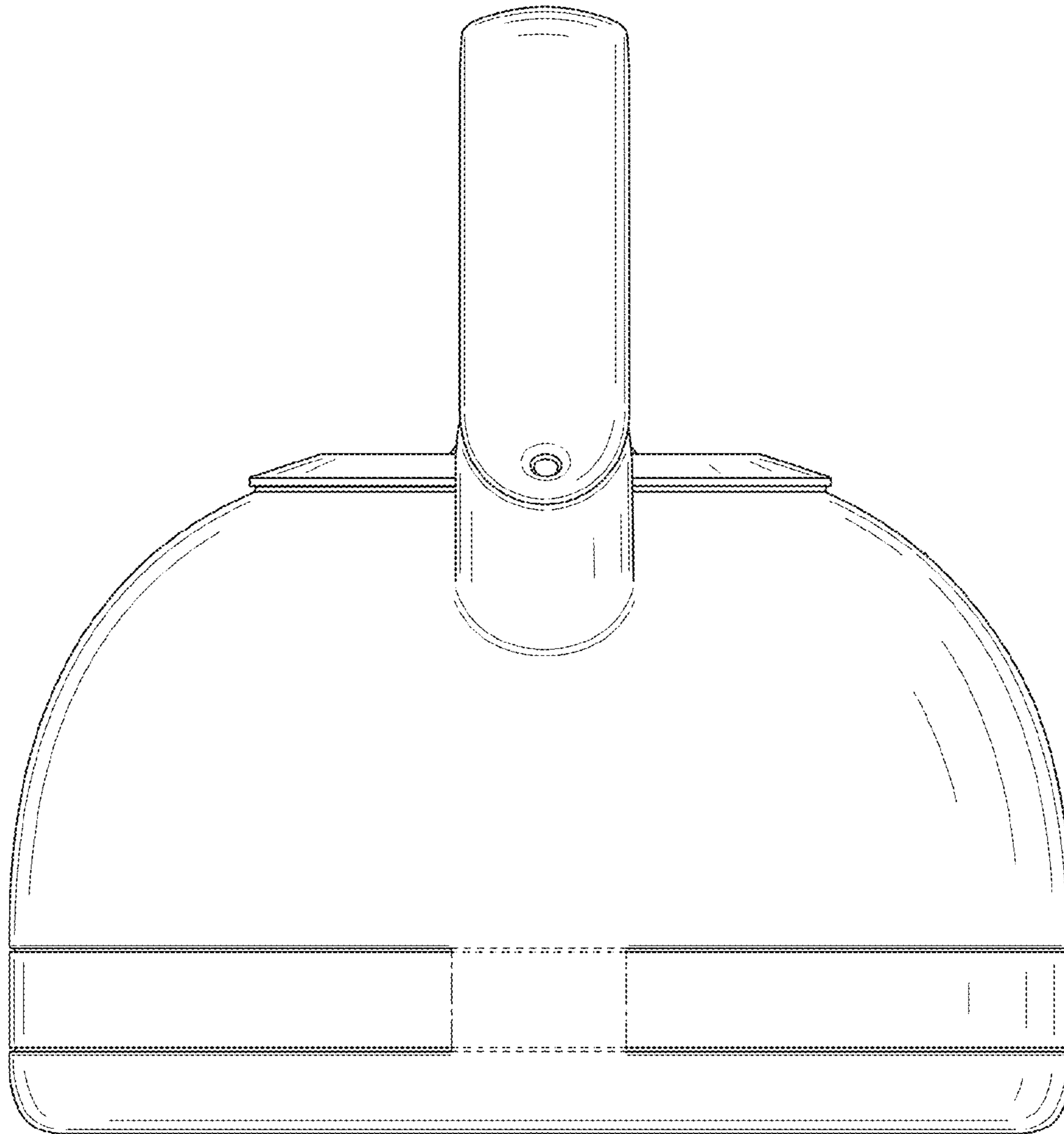


FIG. 5

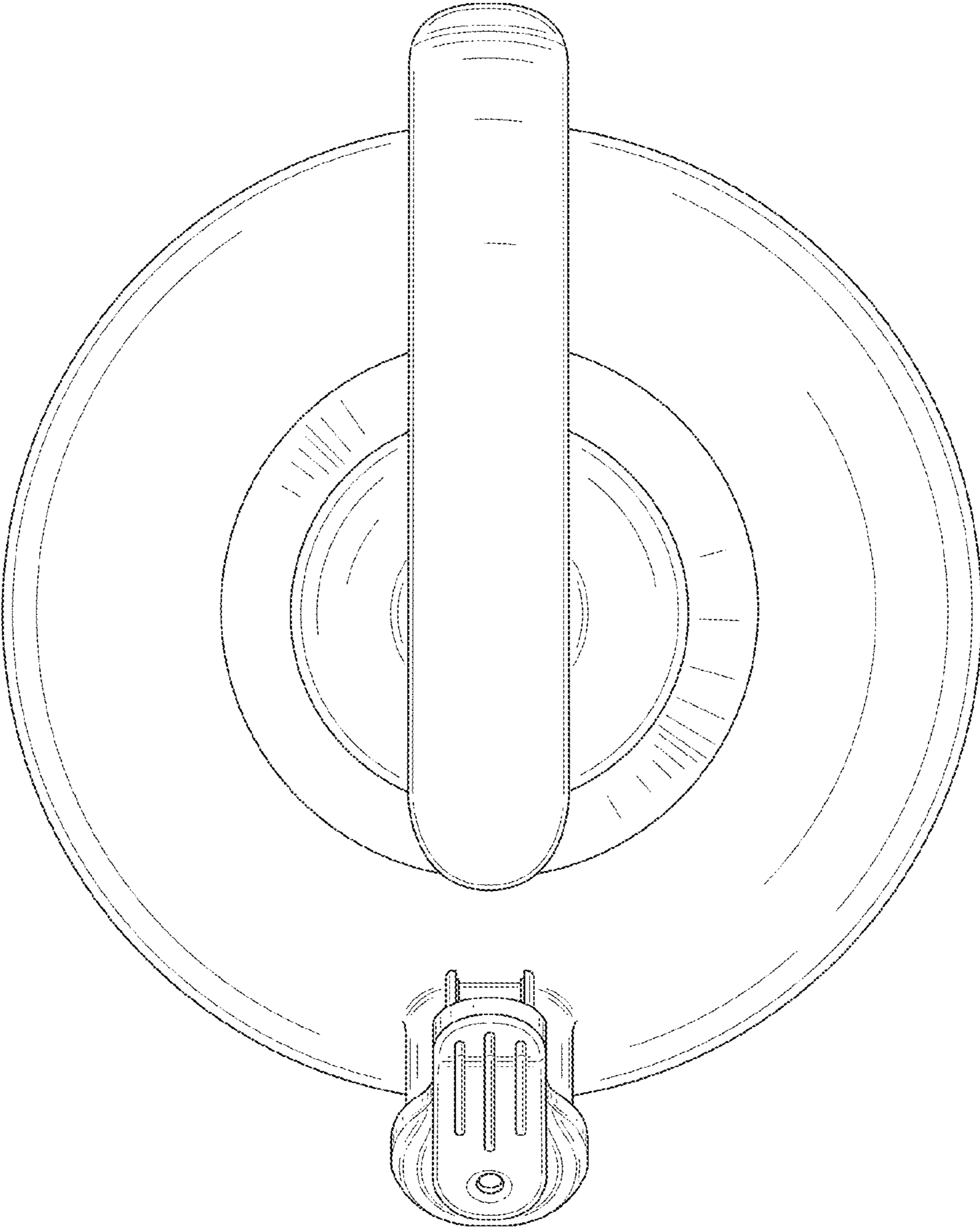


FIG. 6

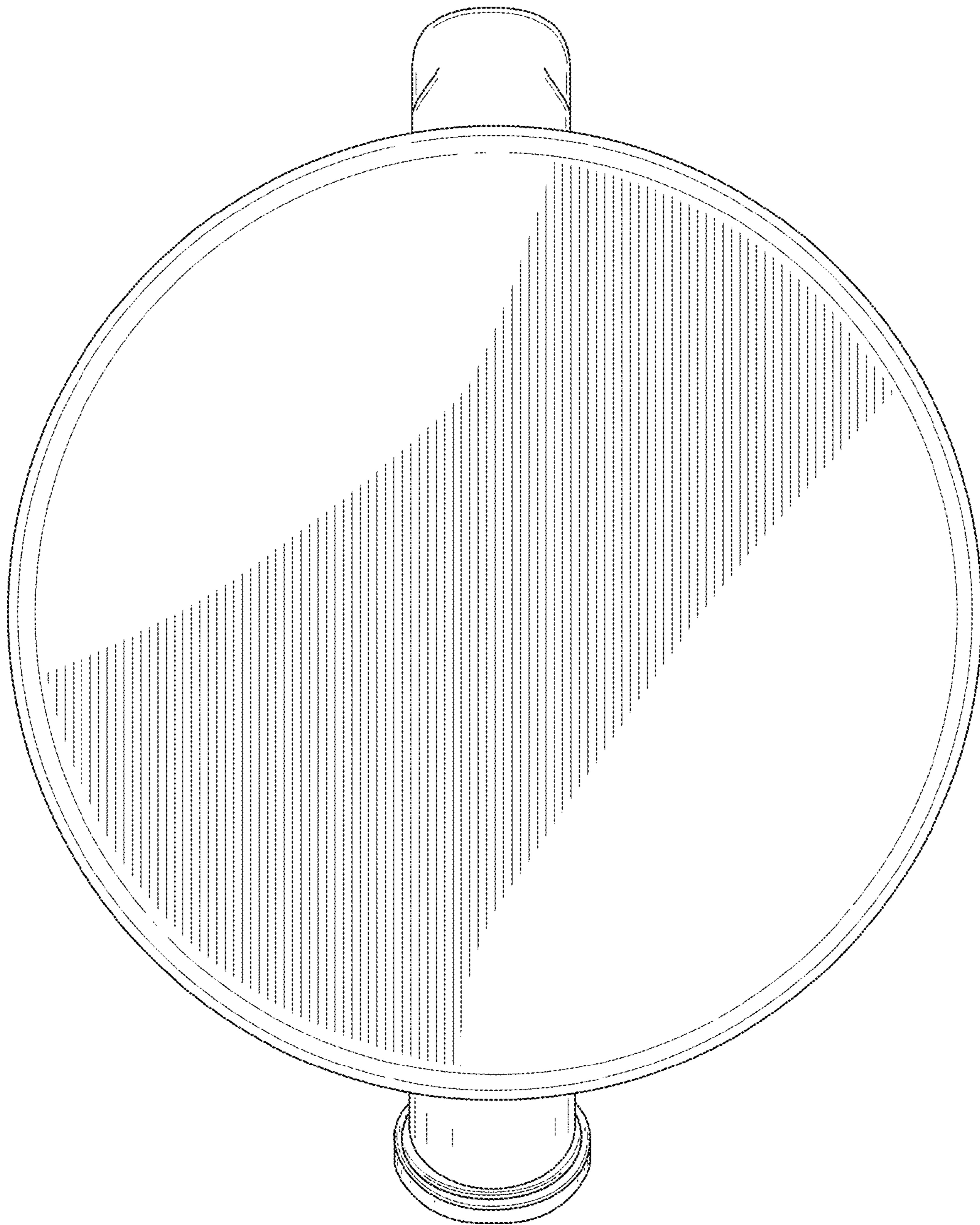


FIG. 7

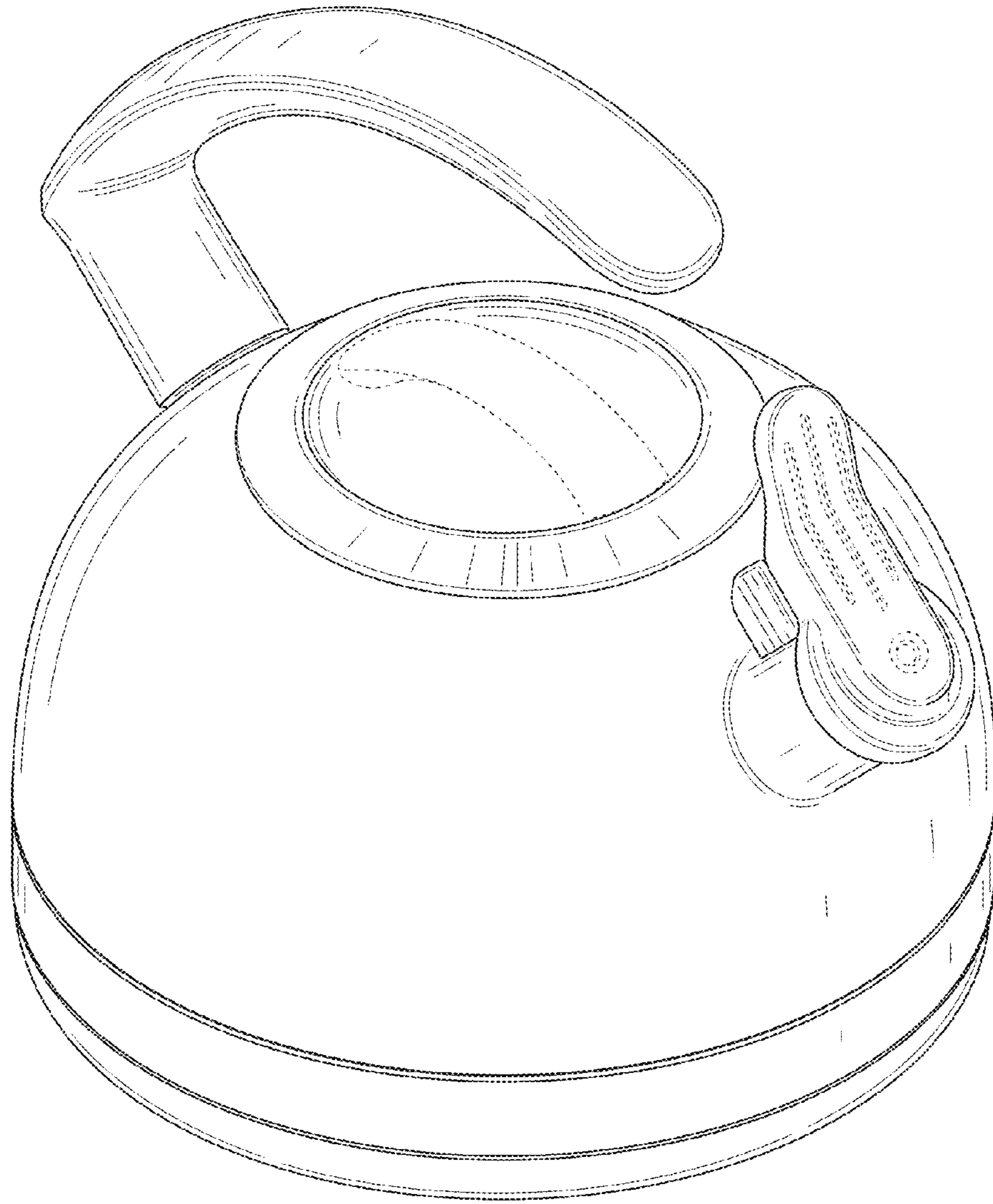


FIG. 8

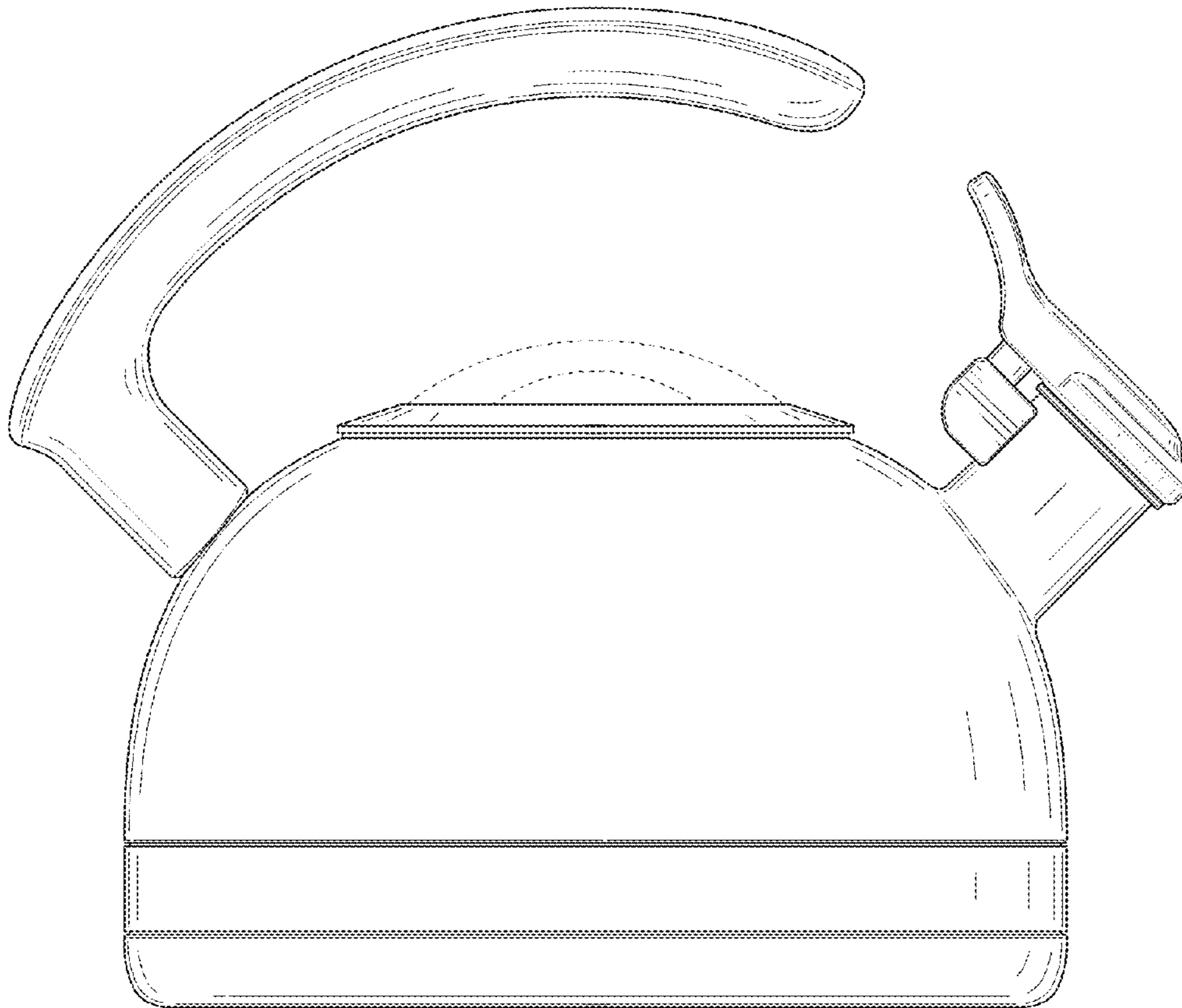


FIG. 9

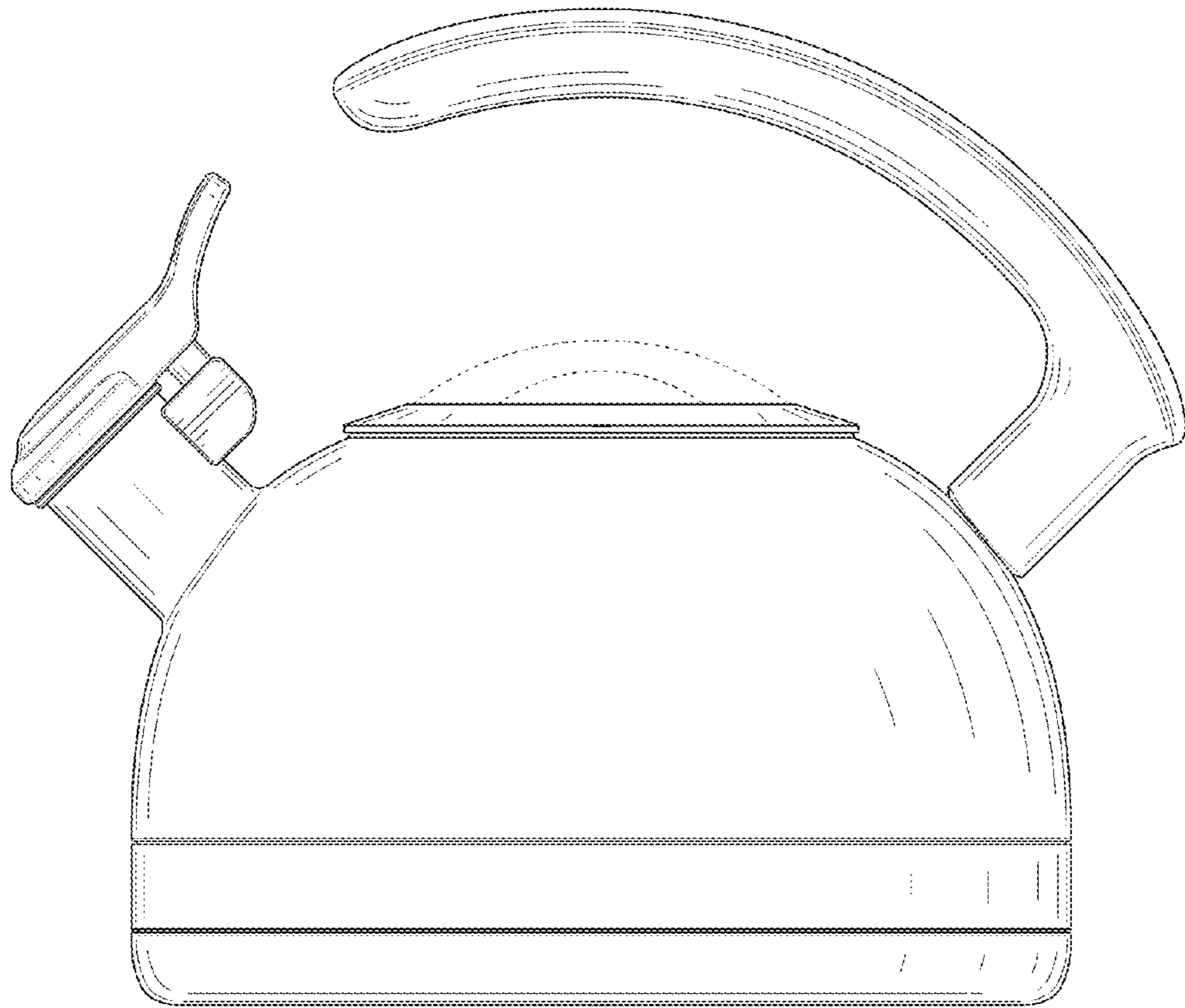


FIG. 10

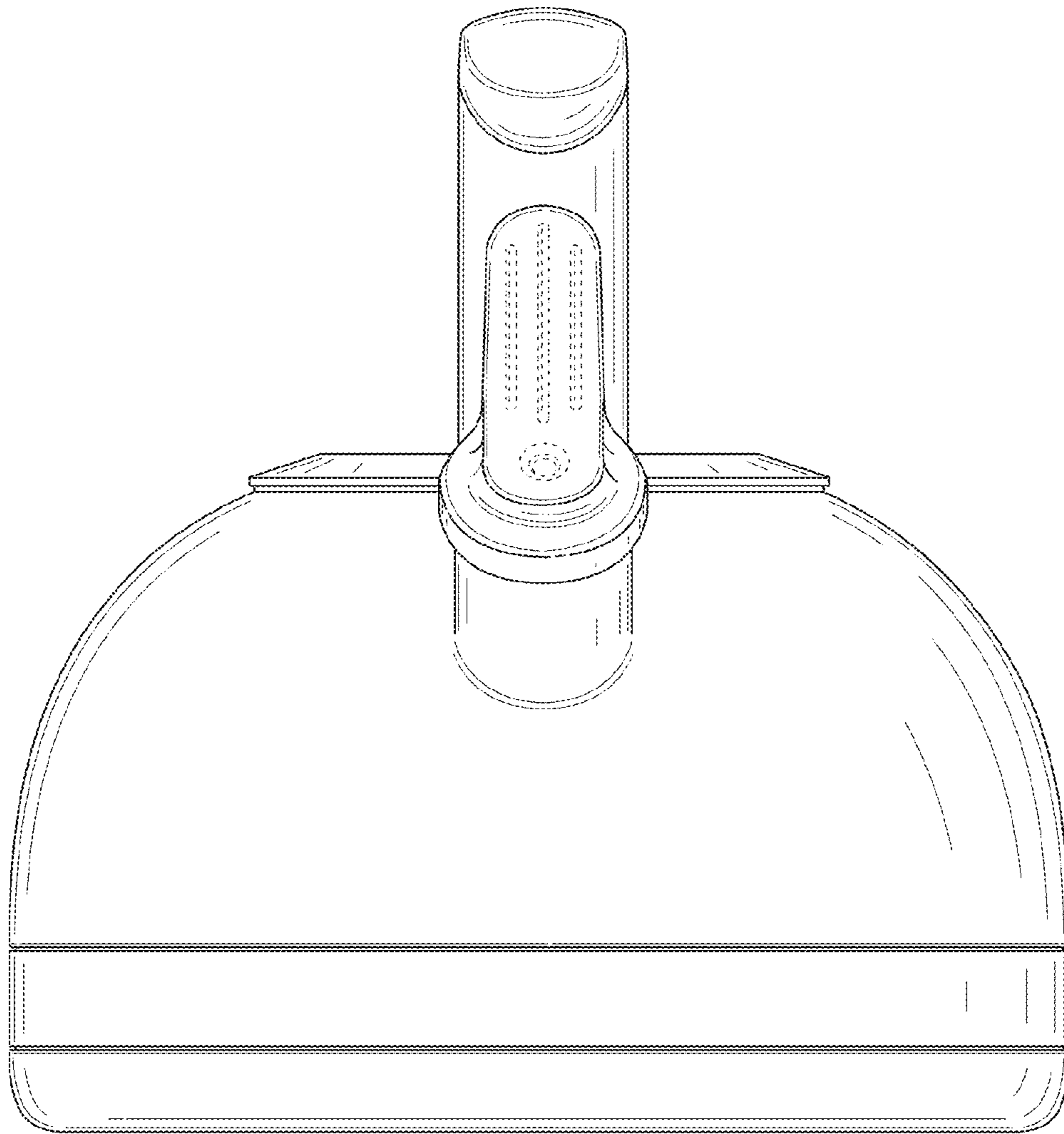


FIG. 11

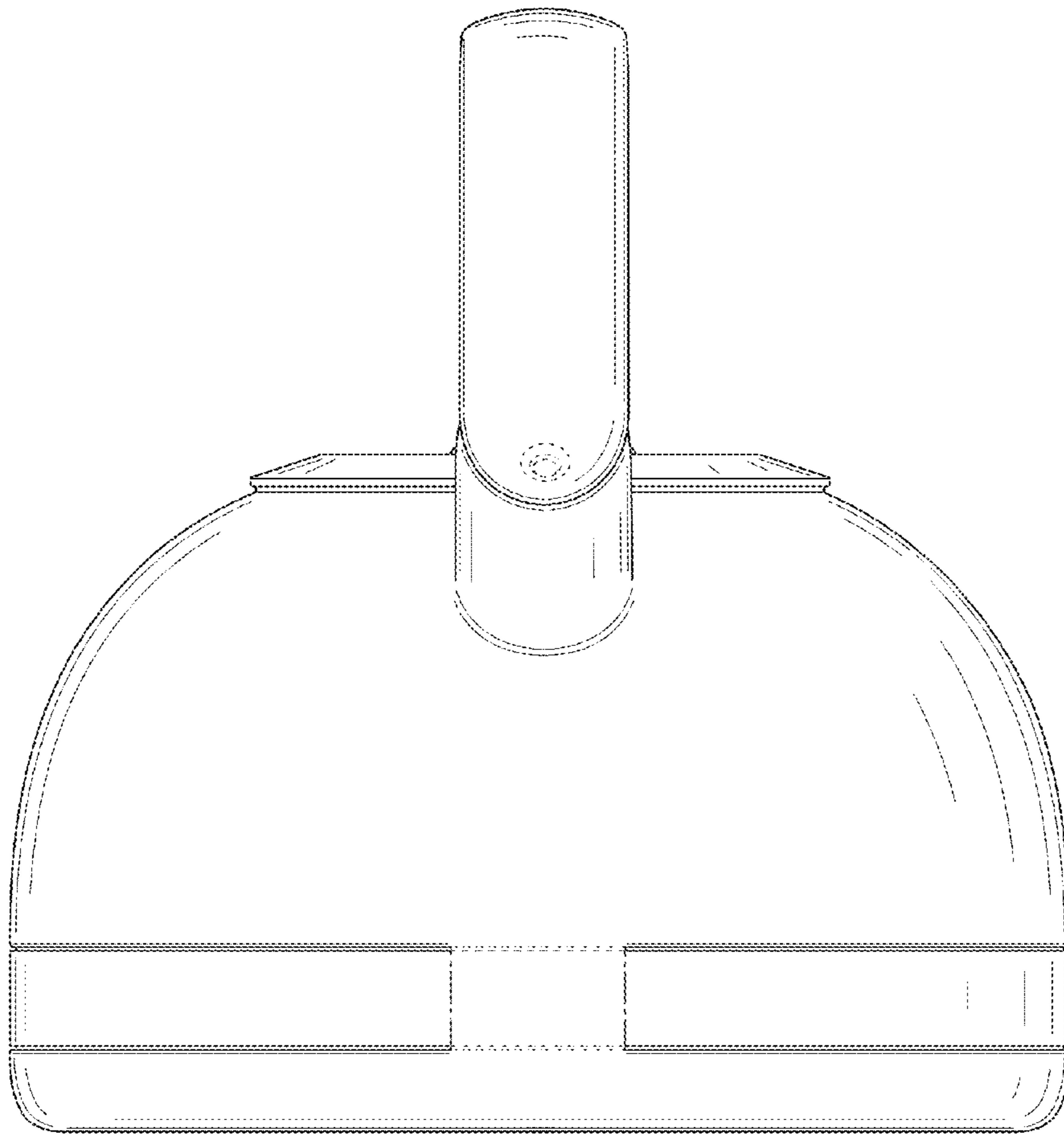


FIG. 12

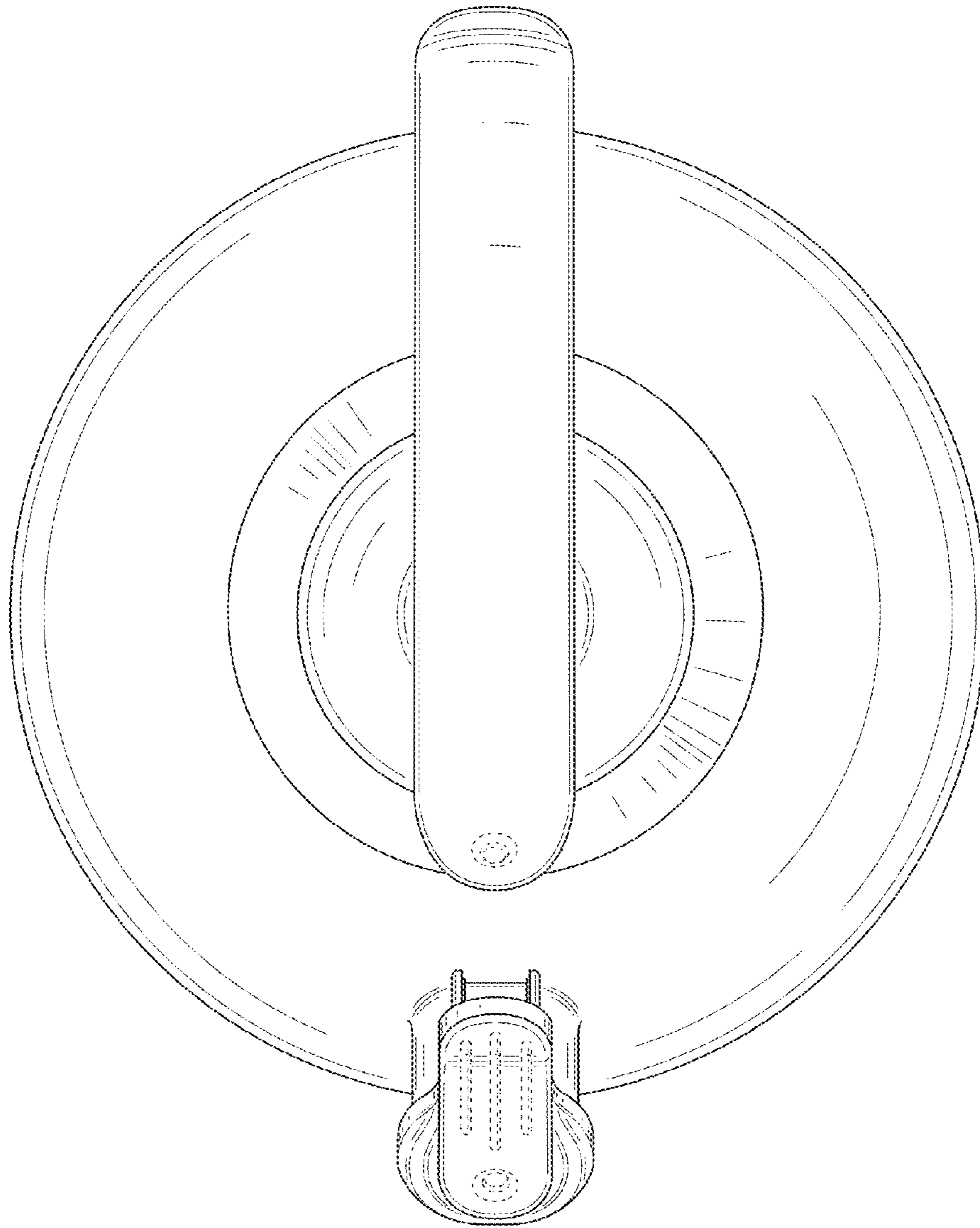


FIG. 13

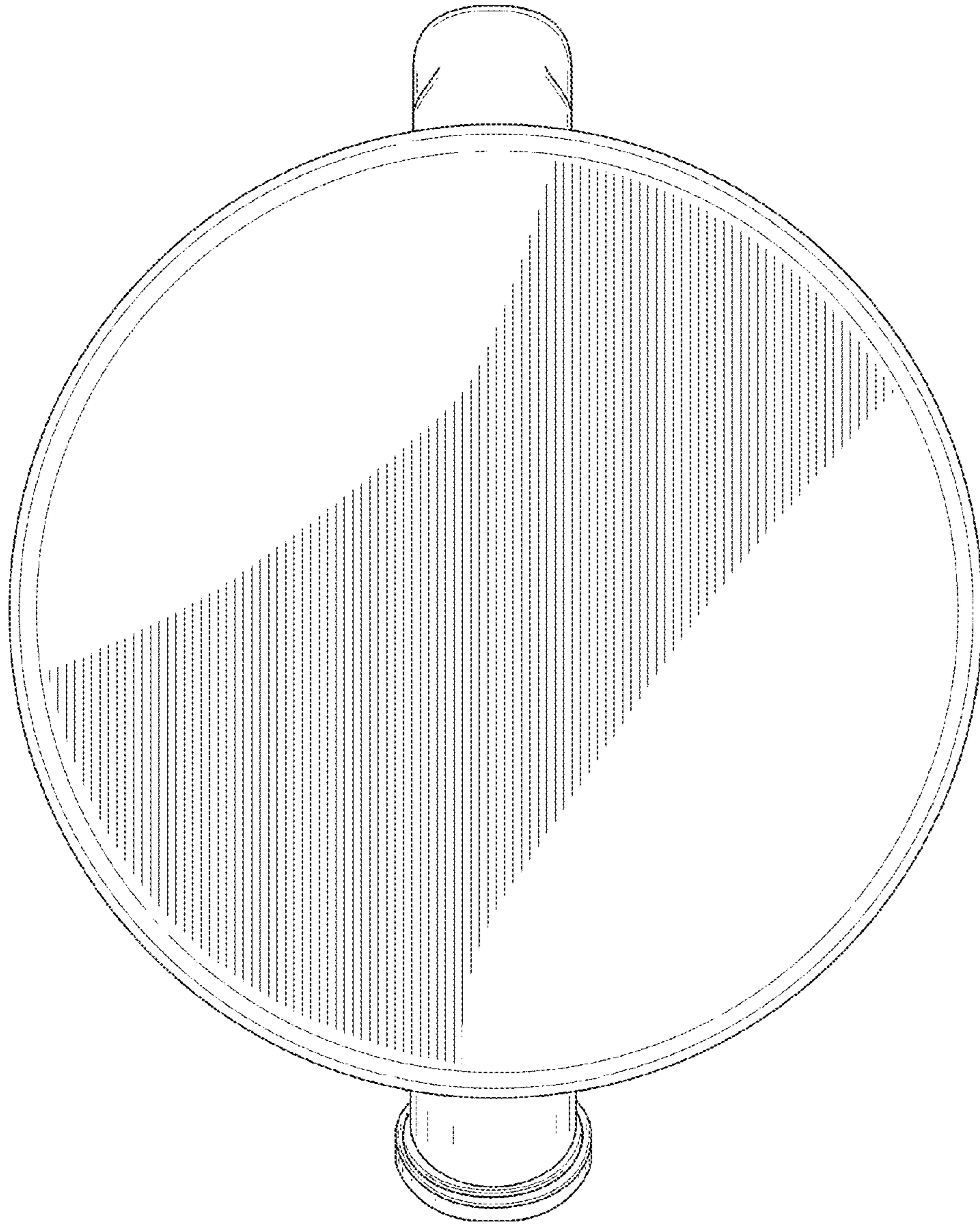


FIG. 14

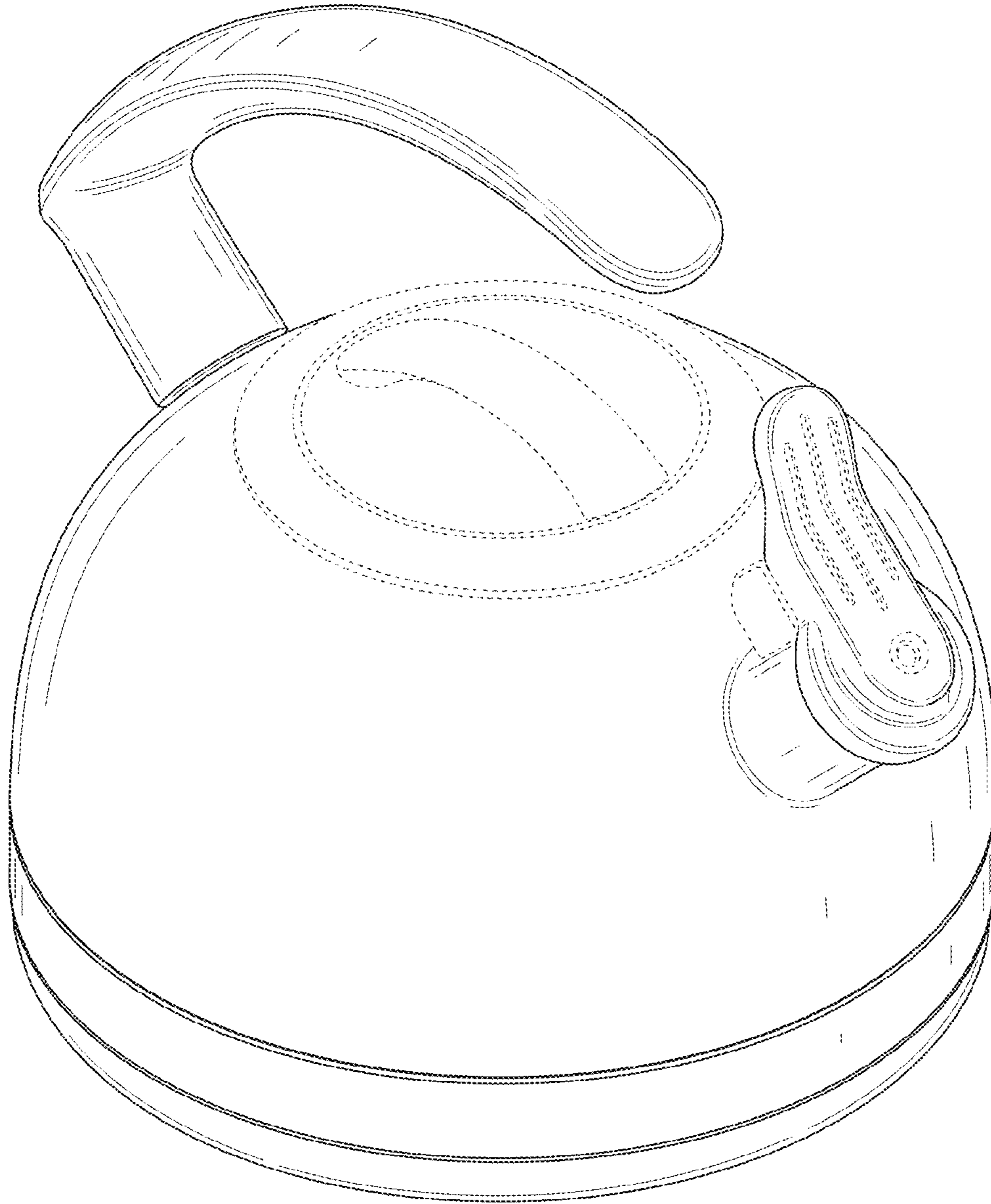


FIG. 15

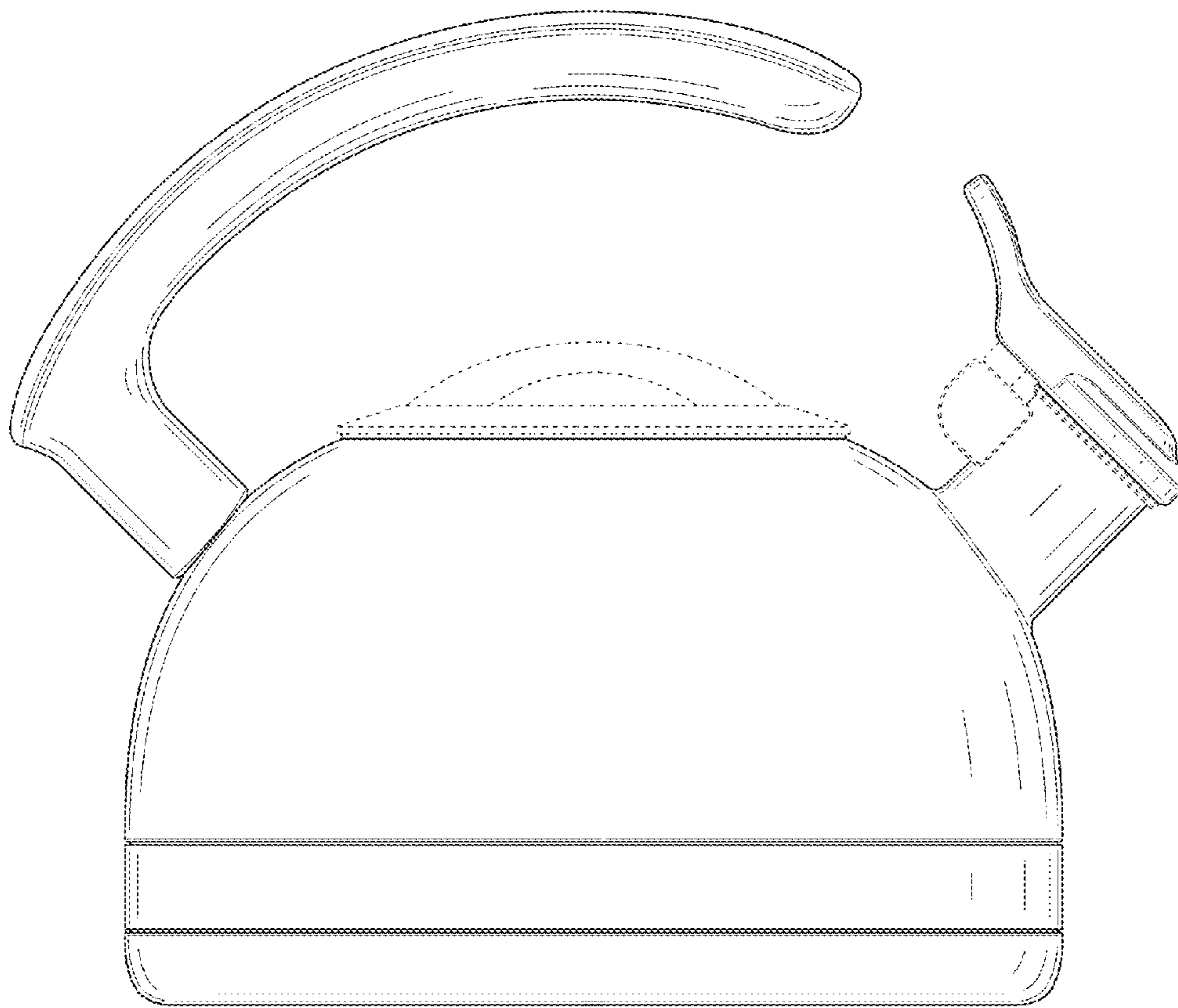


FIG. 16

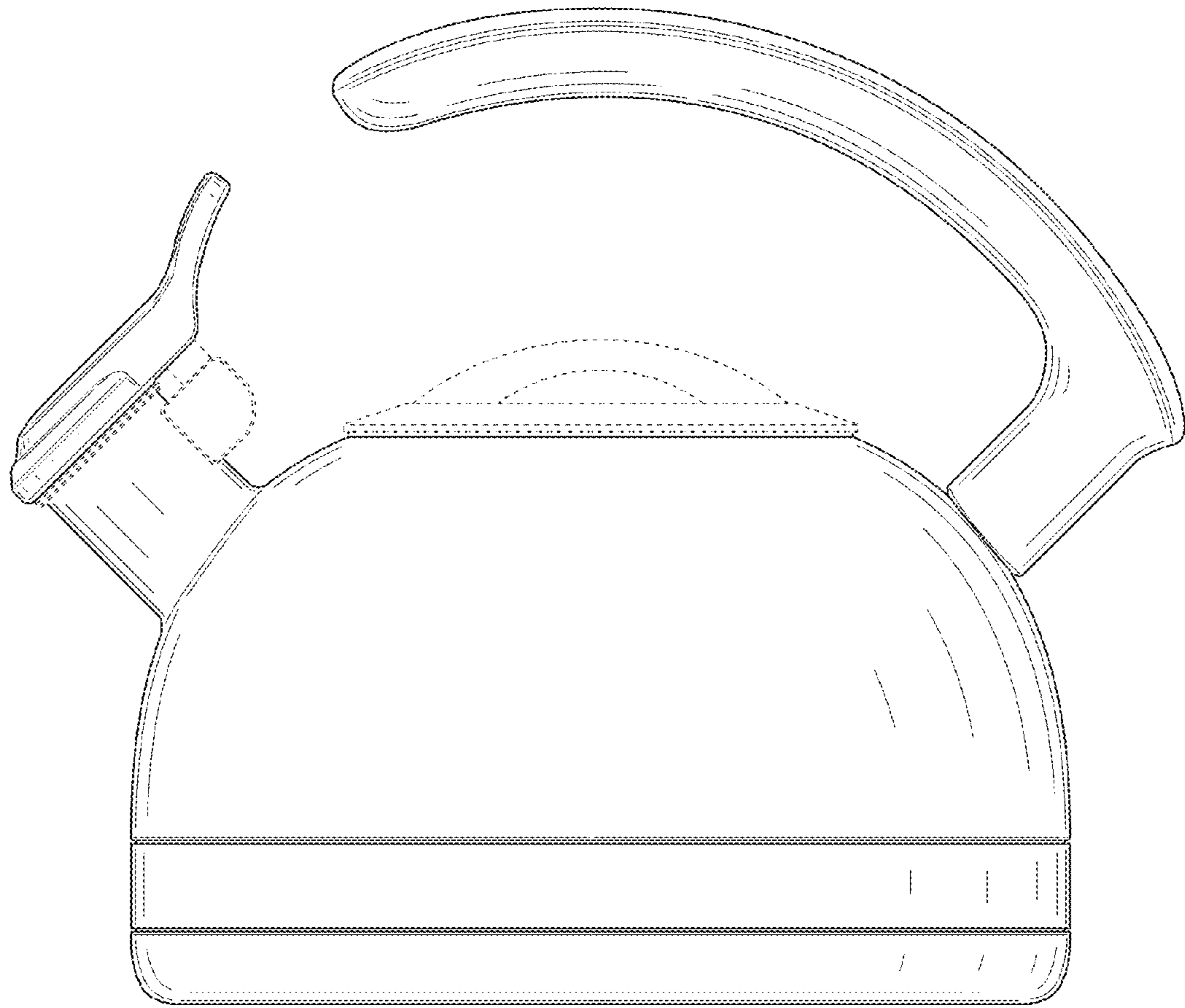


FIG. 17

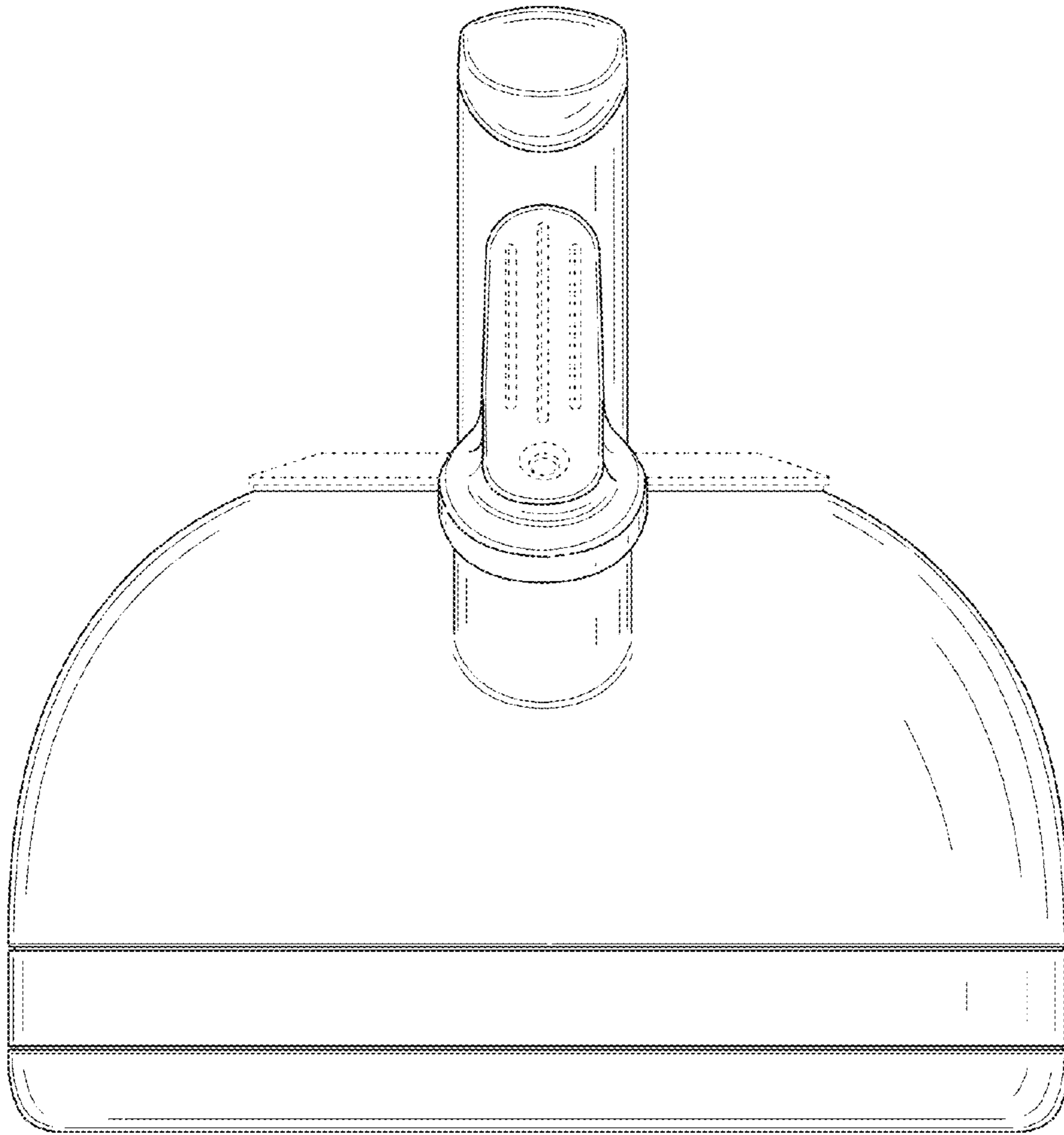


FIG. 18

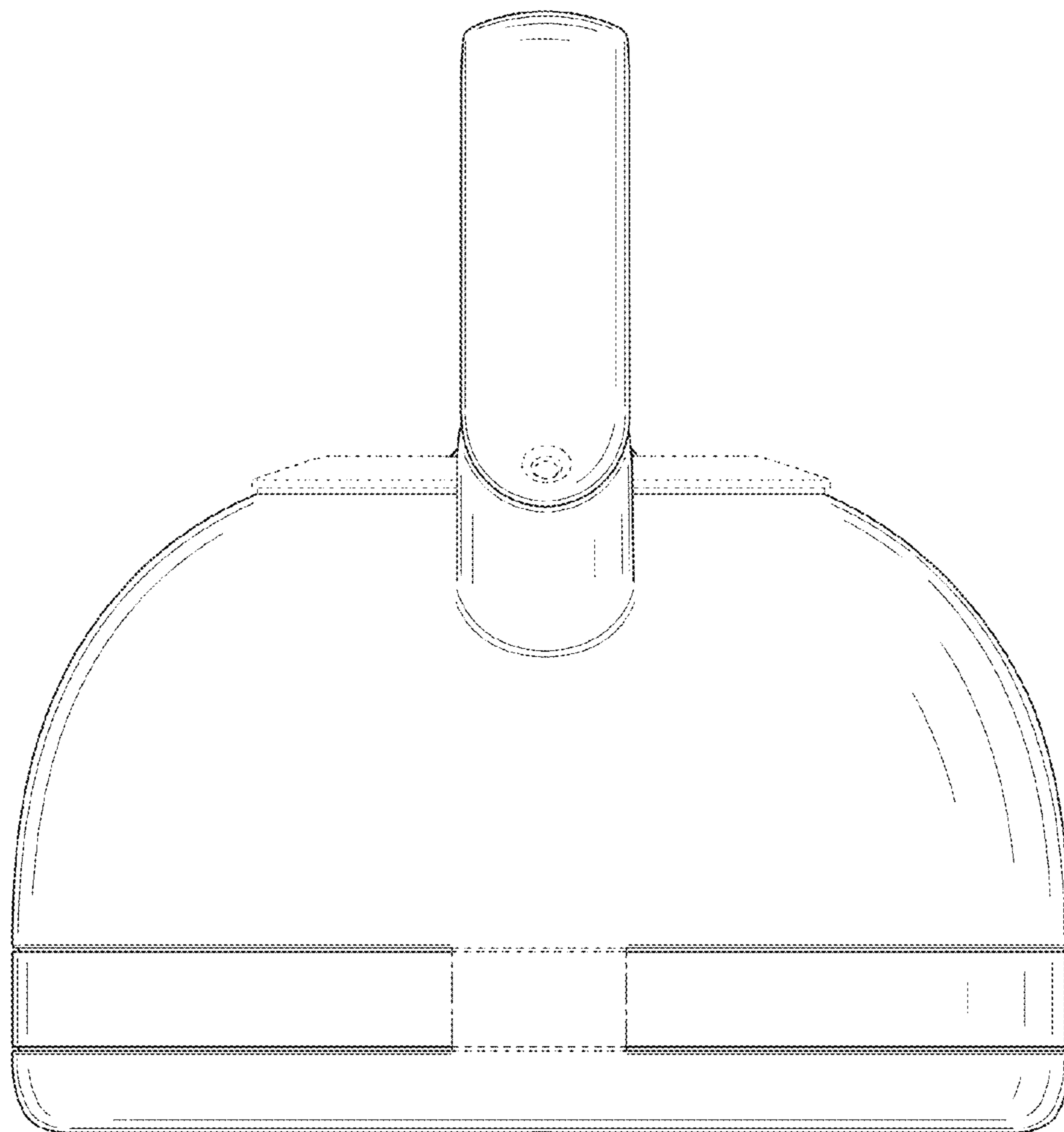


FIG. 19

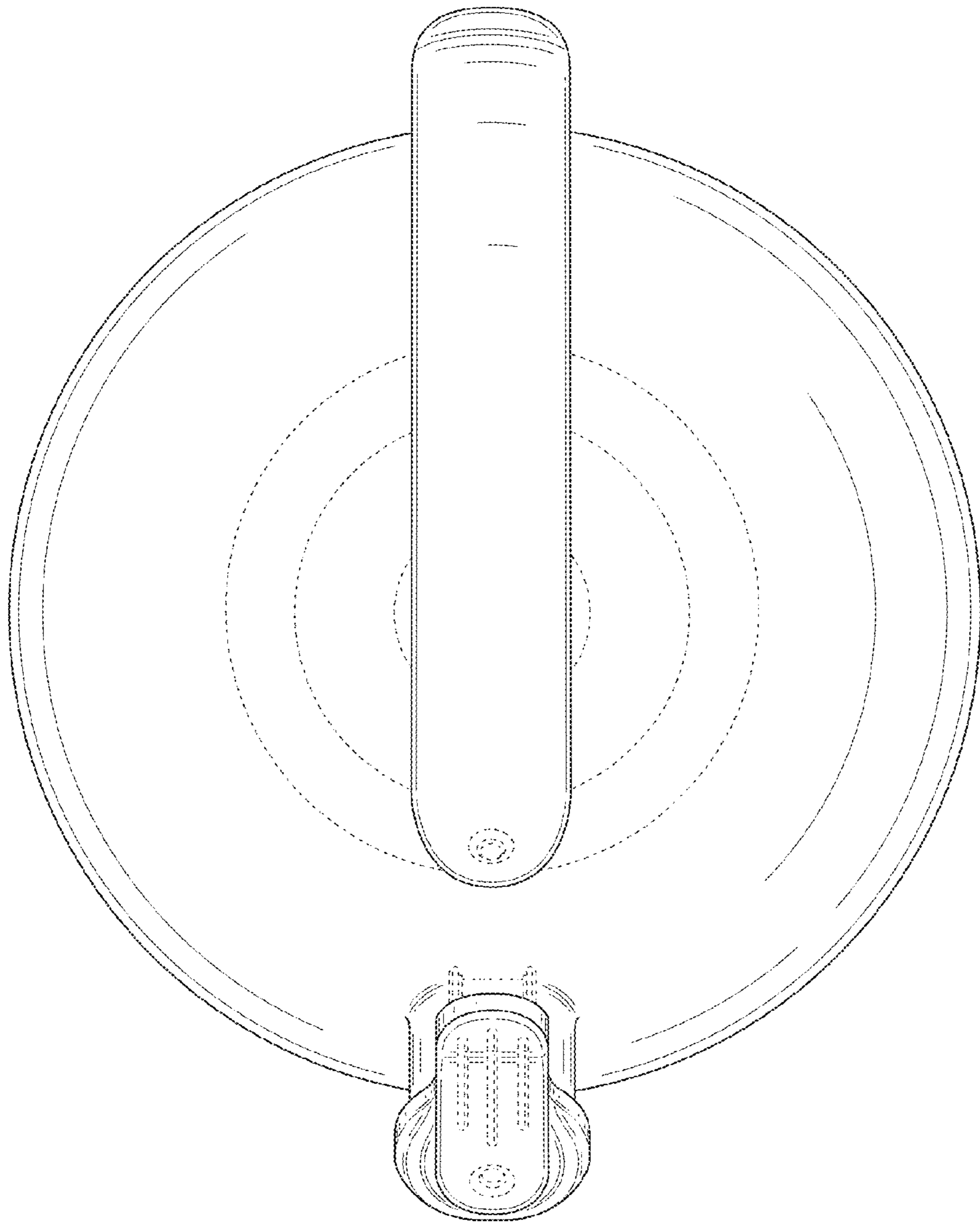


FIG. 20

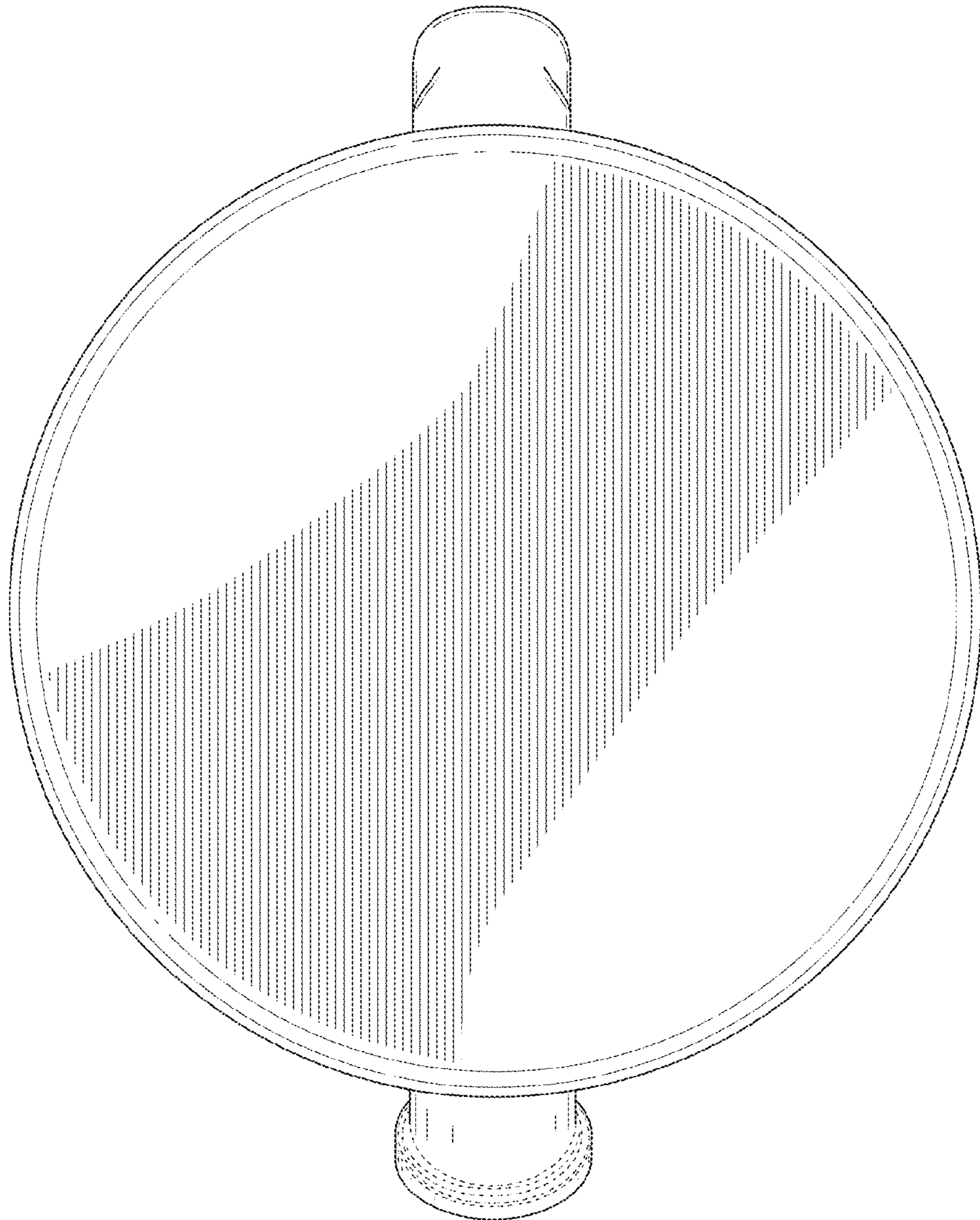


FIG. 21