



US00D714581S

(12) **United States Design Patent**
Shao

(10) **Patent No.:** **US D714,581 S**
(45) **Date of Patent:** **** Oct. 7, 2014**

- (54) **ELECTRONIC KETTLE**
- (71) Applicant: **Whirlpool Corporation**, Benton Harbor, MI (US)
- (72) Inventor: **Ben C. Shao**, Stevensville, MI (US)
- (73) Assignee: **Whirlpool Corporation**, Benton Harbor, MI (US)
- (**) Term: **14 Years**
- (21) Appl. No.: **29/447,364**
- (22) Filed: **Mar. 1, 2013**
- (51) **LOC (10) Cl.** **07-01**
- (52) **U.S. Cl.**
USPC **D7/321; D7/312; D7/319**
- (58) **Field of Classification Search**
CPC **A47G 19/14; A47J 31/10**
USPC **D7/322, 321, 312, 317-319; 222/1, 222/469, 500; 99/303, 323.3; 219/494, 437**
See application file for complete search history.

- D630,882 S * 1/2011 Cohen D7/318
- D643,241 S * 8/2011 McCormick et al. D7/319
- D646,520 S * 10/2011 Collinson D7/376
- D646,522 S * 10/2011 Collinson D7/376
- 8,405,004 B2 * 3/2013 Li 219/441
- D680,792 S * 4/2013 Bodum D7/319
- D682,601 S * 5/2013 Grasselli et al. D7/321
- D703,479 S * 4/2014 Norland et al. D7/377

* cited by examiner

Primary Examiner — Marianne Pandozzi

(57) **CLAIM**

I claim the ornamental design for an electronic kettle, as shown and described.

DESCRIPTION

FIG. 1 is a top perspective view of an electronic kettle showing my new design;
 FIG. 2 is a front view thereof;
 FIG. 3 is a rear view thereof;
 FIG. 4 is a side view thereof;
 FIG. 5 is a top plan view thereof;
 FIG. 6 is a bottom plan view thereof;
 FIG. 7 is a top perspective view of an electronic kettle showing a second embodiment of my new design;
 FIG. 8 is a front view thereof;
 FIG. 9 is a rear view thereof;
 FIG. 10 is a side view thereof;
 FIG. 11 is a top plan view thereof; and,
 FIG. 12 is a bottom plan view thereof.

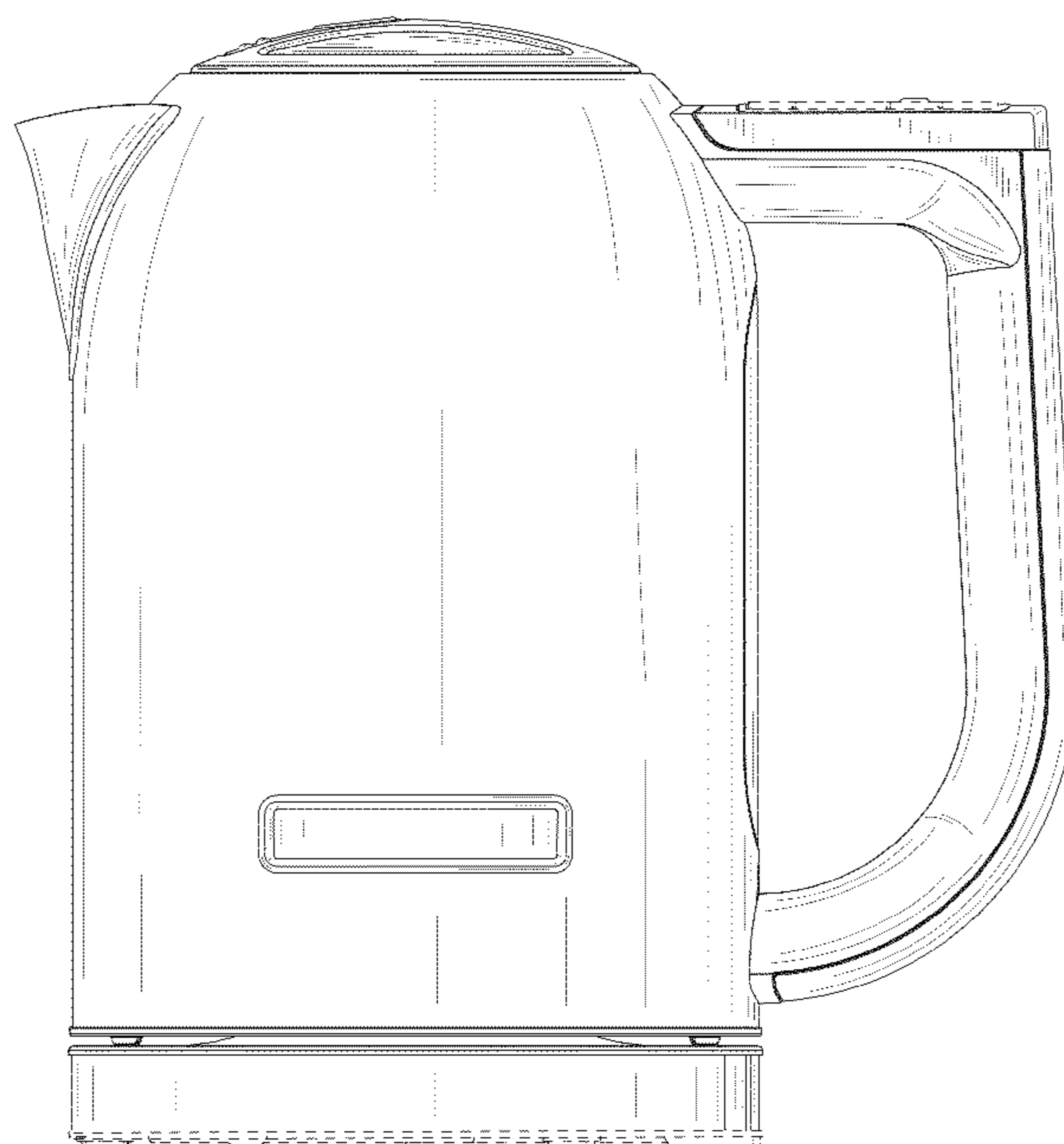
The broken lines in the drawings are included for the purpose of illustration and form no part of the claimed design.

1 Claim, 10 Drawing Sheets

(56) **References Cited**

U.S. PATENT DOCUMENTS

- D269,585 S * 7/1983 Phillips D7/321
- D390,743 S * 2/1998 Saltet D7/319
- D399,090 S * 10/1998 Green D7/319
- D498,384 S * 11/2004 McWilliam D7/319
- D527,940 S * 9/2006 Cohen D7/318
- D554,425 S * 11/2007 Schwamkrug D7/318
- D573,394 S * 7/2008 Tullney et al. D7/317
- D581,718 S * 12/2008 Verdun D7/319
- D602,304 S * 10/2009 Elissen D7/318
- D620,303 S * 7/2010 Mondragon et al. D7/317



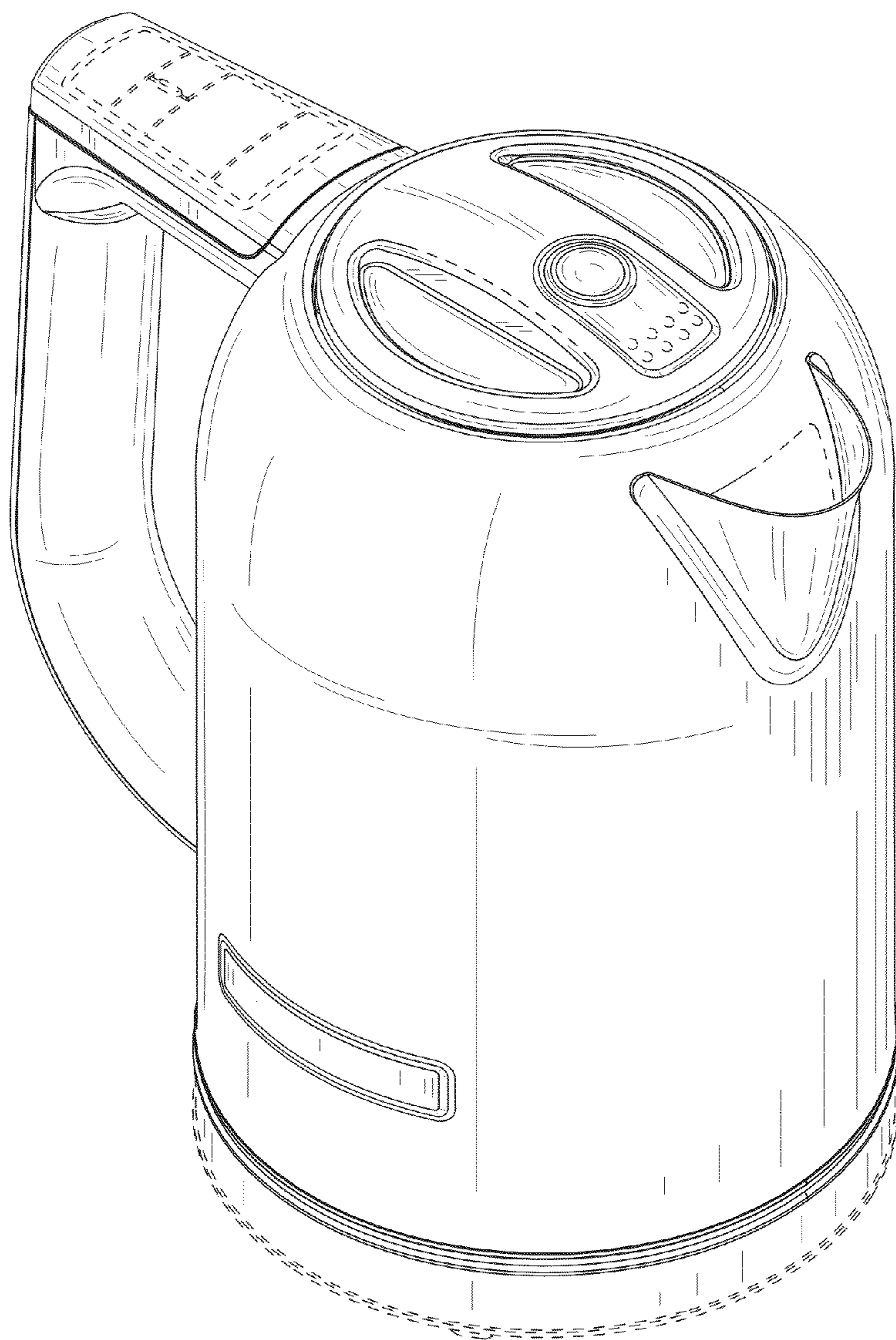


FIG. 1

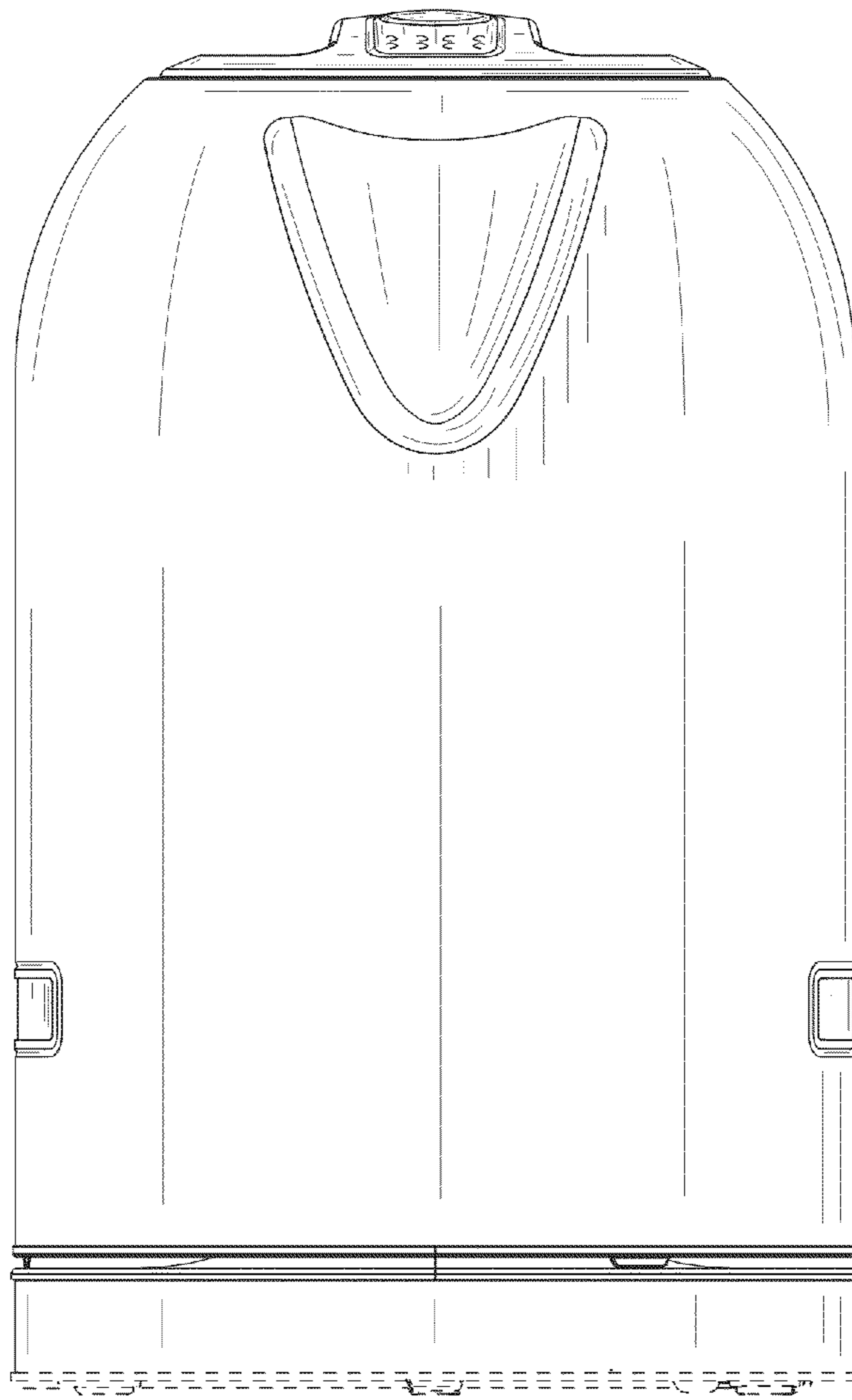


FIG. 2

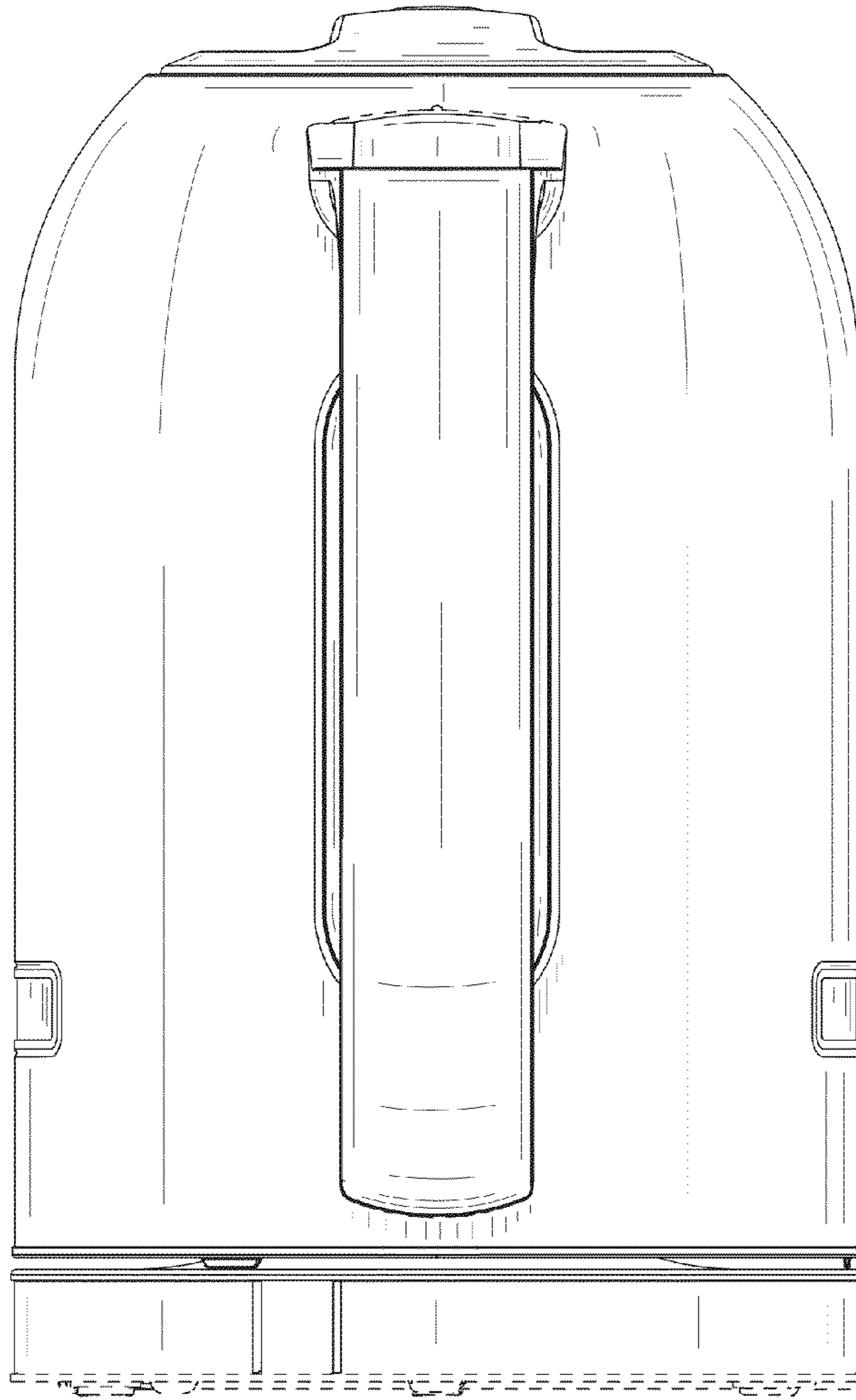


FIG. 3

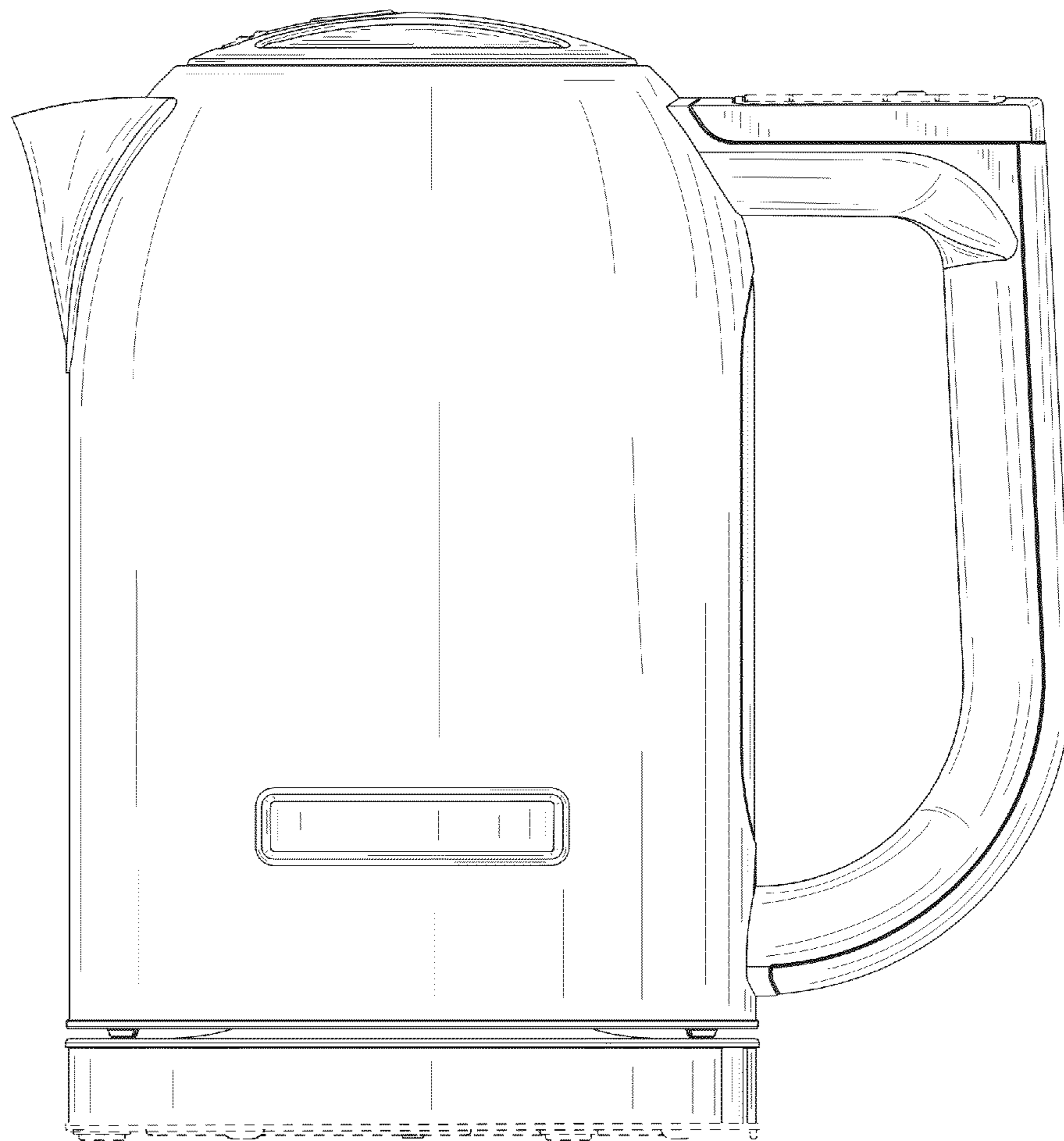


FIG. 4

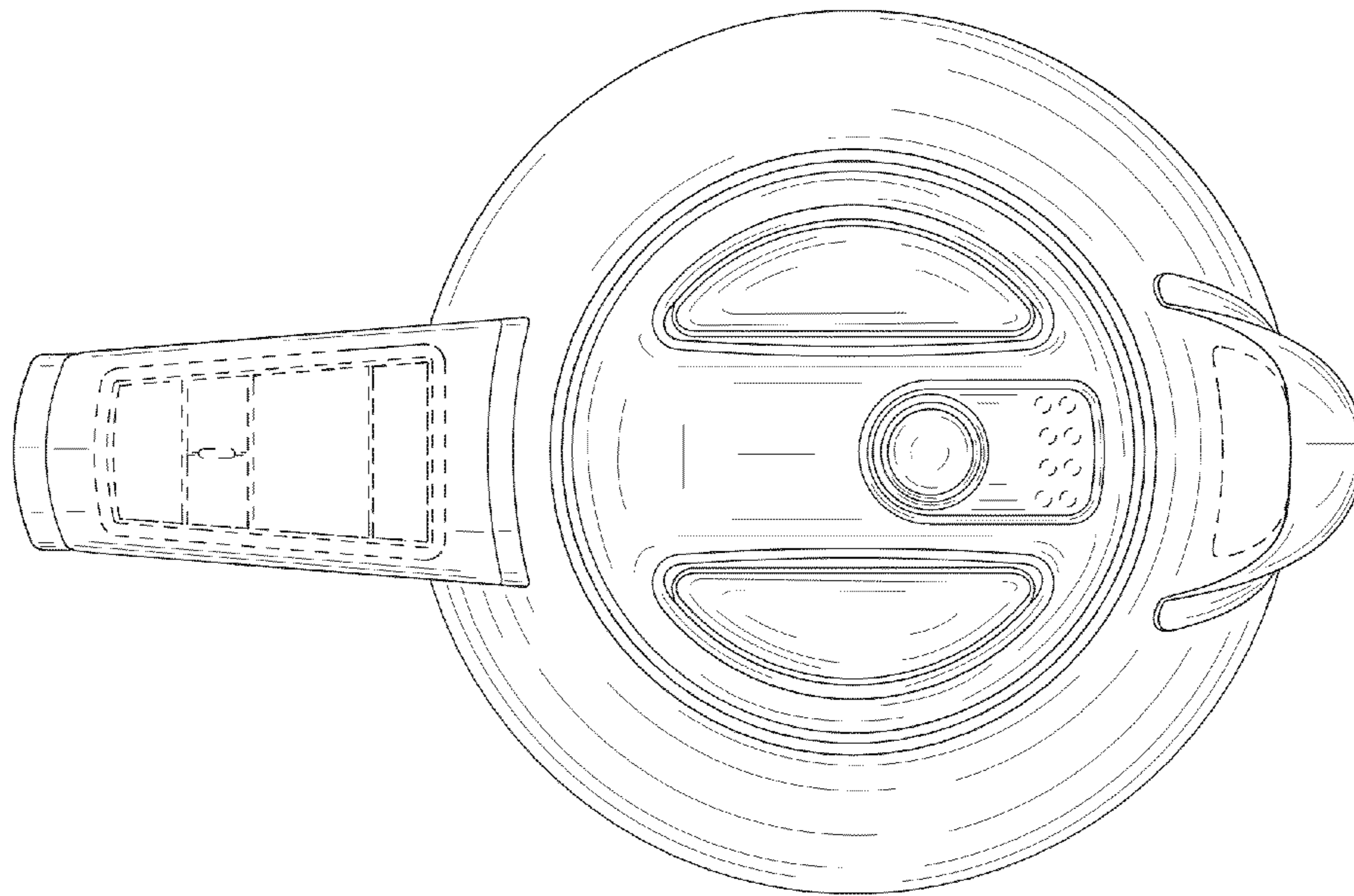


FIG. 5

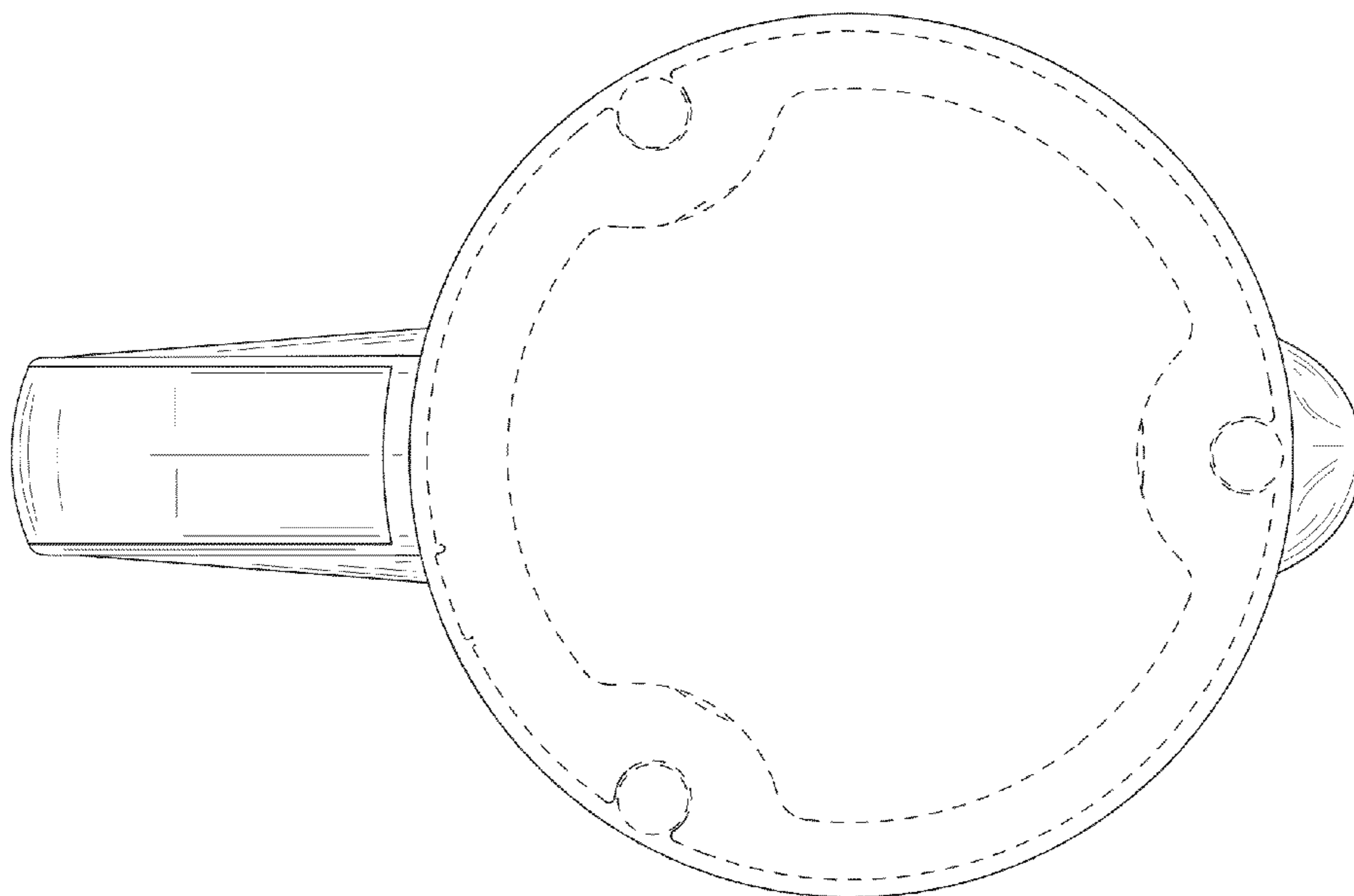


FIG. 6

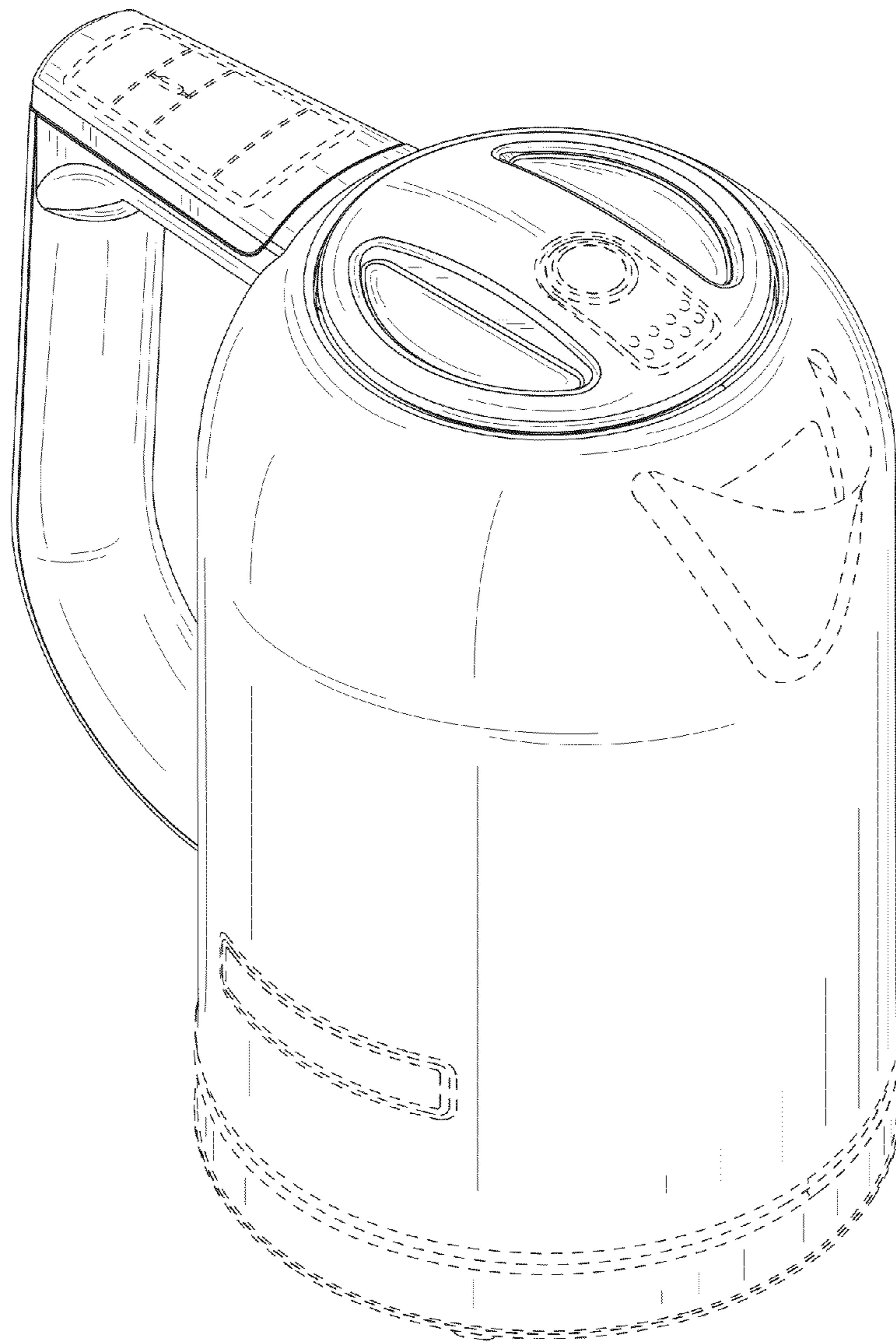


FIG. 7

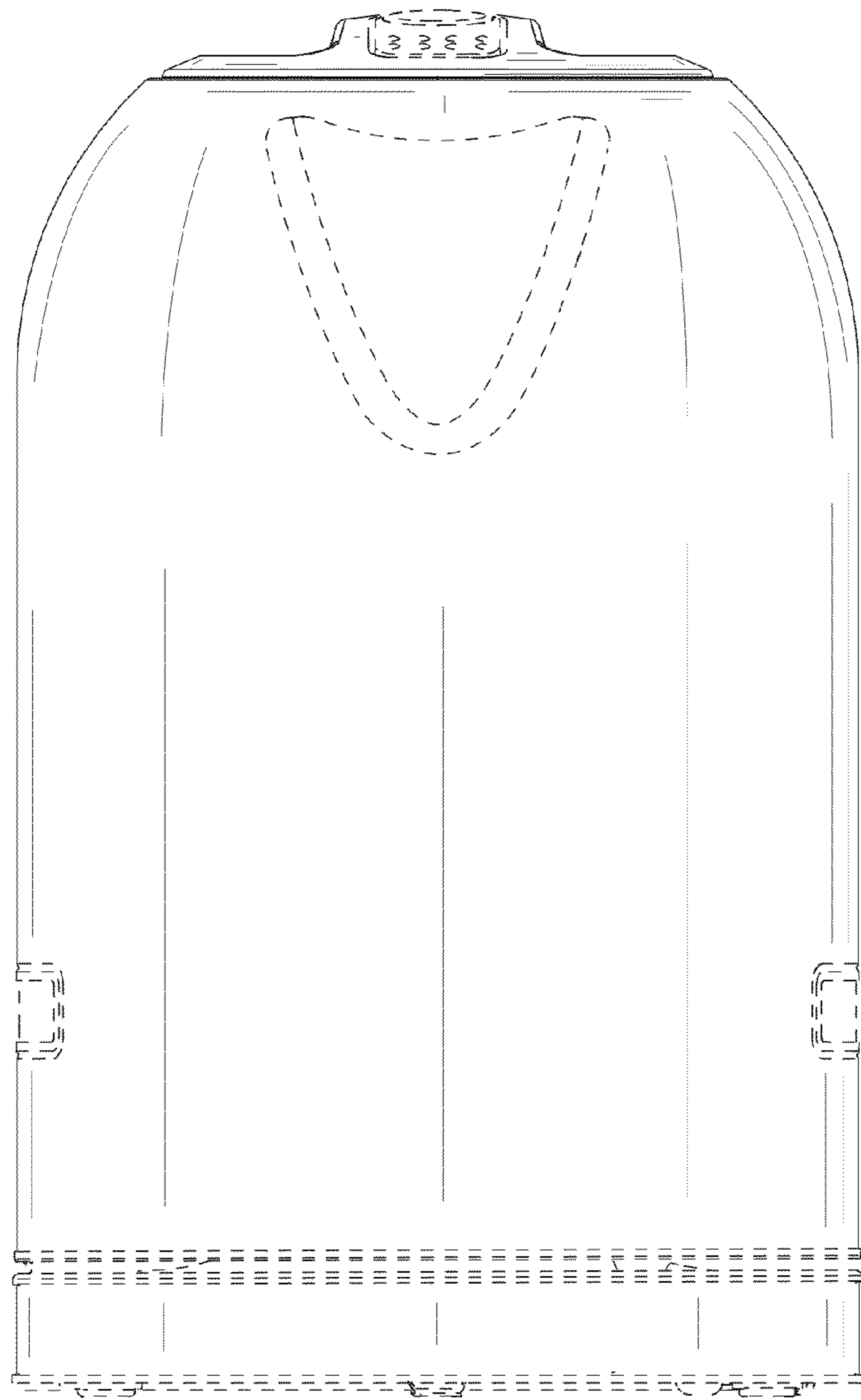


FIG. 8

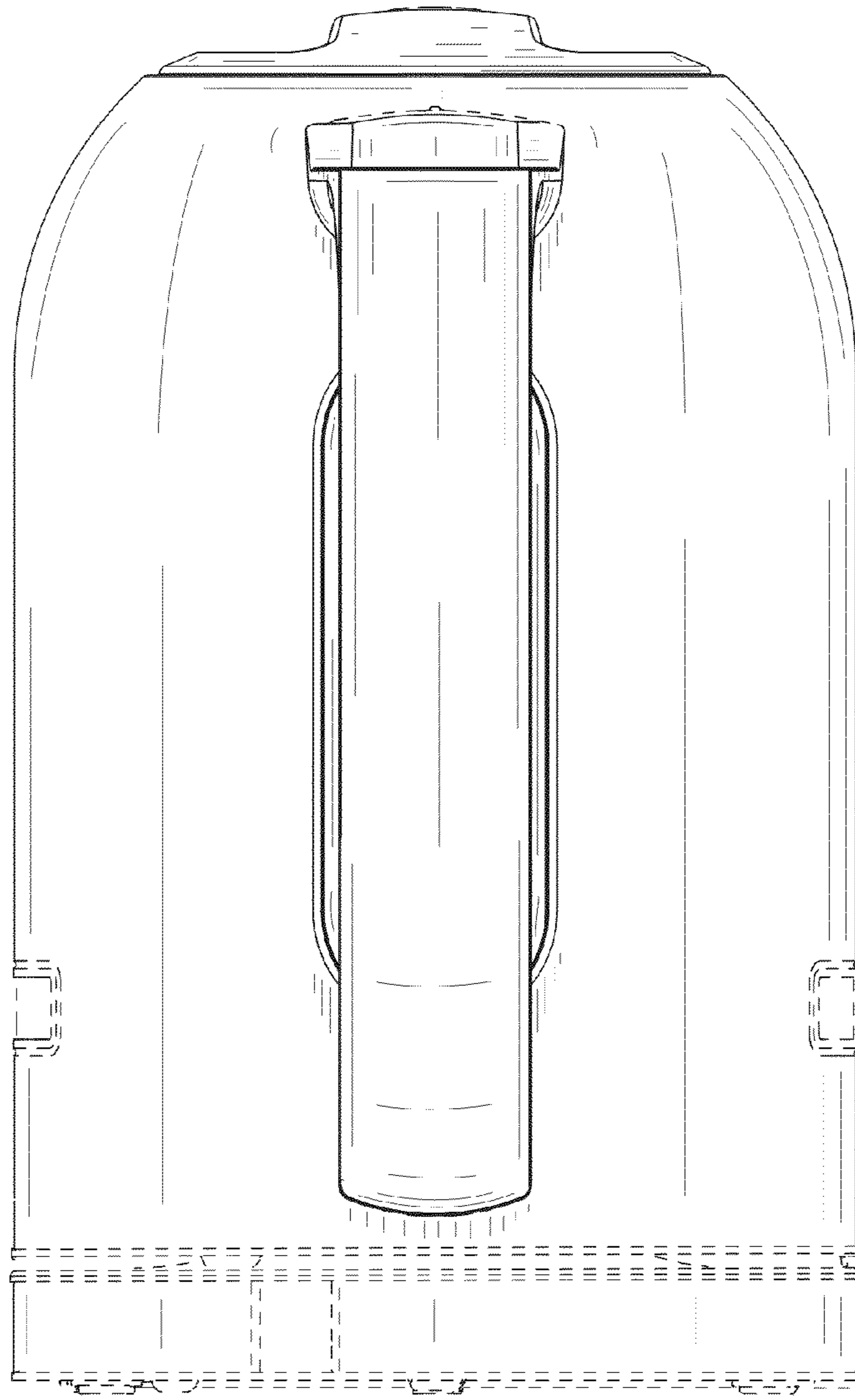


FIG. 9

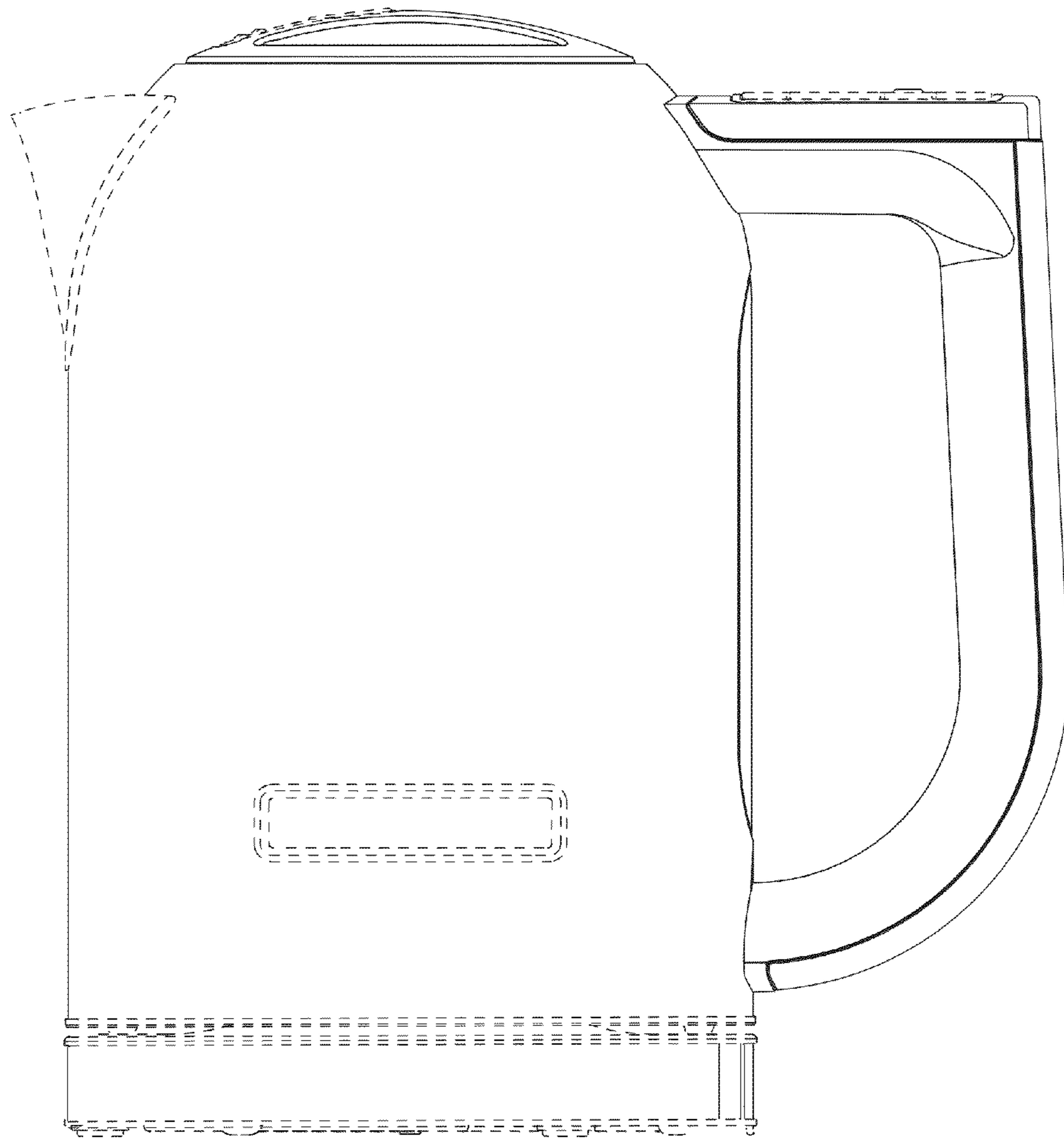


FIG. 10

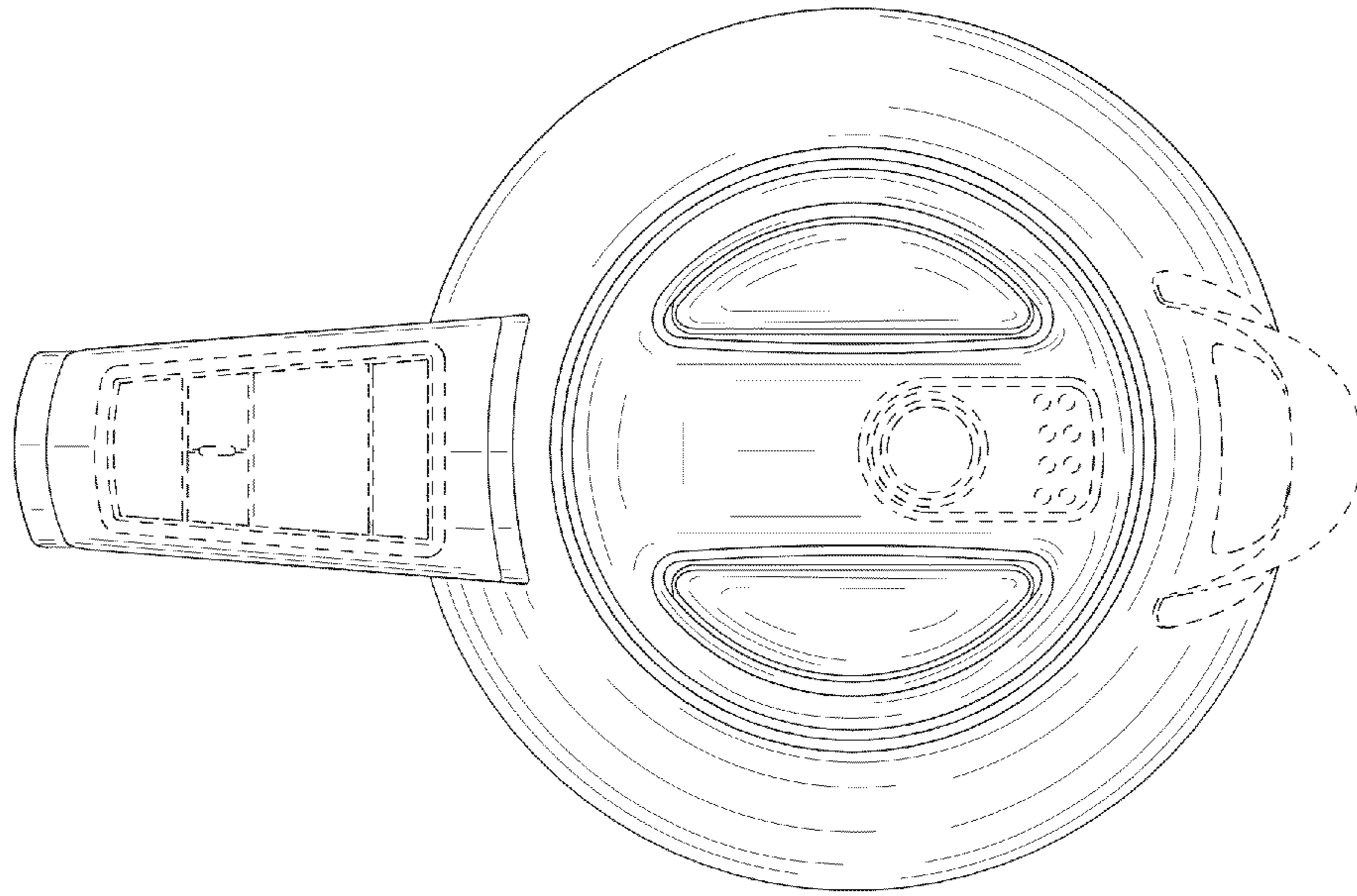


FIG. 11

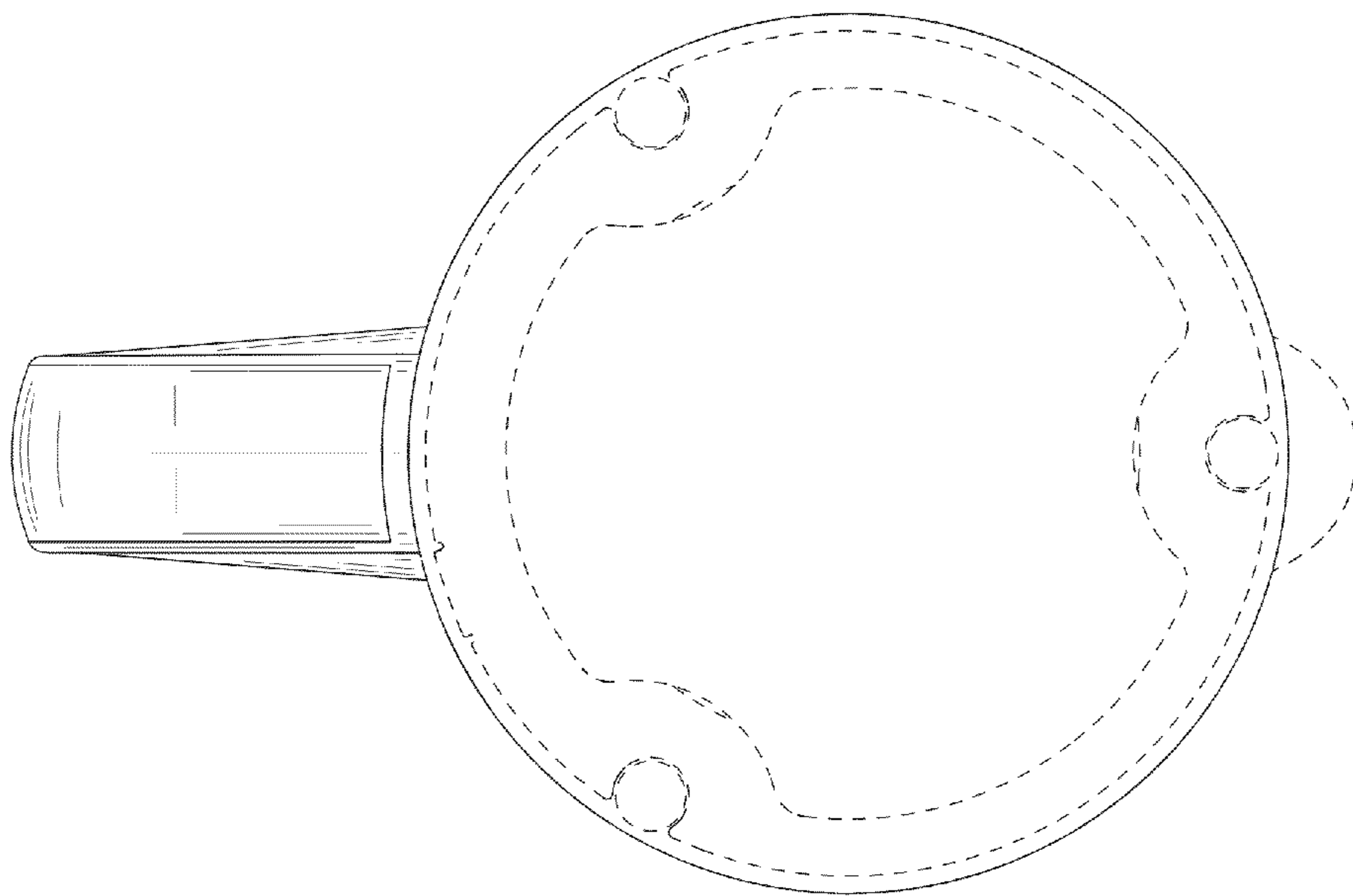


FIG. 12