



US00D714579S

(12) **United States Design Patent**  
**Sutton**

(10) **Patent No.:** **US D714,579 S**

(45) **Date of Patent:** **\*\* Oct. 7, 2014**

(54) **THREE LEGGED FOLDING LEG MECHANISM**

(74) *Attorney, Agent, or Firm* — Gordon Rees Scully Mansukhani LLP

(71) Applicant: **Eric Sutton**, Piedmont, SD (US)

(57) **CLAIM**

(72) Inventor: **Eric Sutton**, Piedmont, SD (US)

The ornamental design for a three legged folding leg mechanism, as shown and described.

(\*\*) Term: **14 Years**

**DESCRIPTION**

(21) Appl. No.: **29/467,322**

(22) Filed: **Sep. 18, 2013**

(51) **LOC (10) Cl.** ..... **09-03**

(52) **U.S. Cl.**

USPC ..... **D6/709.2**; D6/349

(58) **Field of Classification Search**

CPC ..... A47C 1/14; A47C 3/16–3/20; A47C 4/00; A47C 4/28; A47C 5/02; A47C 7/02; A47C 9/00; A47C 9/02; A47C 9/002; A47C 9/007; A47C 9/025; A47C 11/00; A47C 12/00; A47C 13/00; A47C 16/02

USPC ..... D6/335, 340, 344, 347, 349–355, 358, D6/360, 363–373, 381, 685, 687, 688, 690, D6/691–691.6, 692, 692.4, 694, 703.15, D6/708.21, 708.22, 709.22, 716–716.7, D6/717

See application file for complete search history.

FIG. 1 is a perspective view of a three legged stool in a folded up position showing the leg mechanism.

FIG. 2 is a front elevation view of the three legged stool in a folded up position showing the leg mechanism.

FIG. 3 is a rear elevation view of the three legged stool in a folded up position showing the leg mechanism.

FIG. 4 is a right side elevation view of the three legged stool in a folded up position showing the leg mechanism.

FIG. 5 is a left side elevation view of the three legged stool in a folded up position showing the leg mechanism.

FIG. 6 is a top plan view of the three legged stool in a folded up position.

FIG. 7 is a bottom plan view of the three legged stool in a folded up position.

FIG. 8 is a perspective view of the three legged stool in a fully open position showing the leg mechanism.

FIG. 9 is a right side elevation view of the three legged stool in a fully open position showing the leg mechanism.

FIG. 10 is a left side elevation view of the three legged stool in a fully open position showing the leg mechanism.

FIG. 11 is a rear elevation view of the three legged stool in a fully open position showing the leg mechanism.

FIG. 12 is a front elevation view of the three legged stool in a folded up position showing the leg mechanism; and,

FIG. 13 is a bottom plan view of the three legged stool in a fully open position.

The broken lines shown in the drawings depict environmental features and subject matter that form no part of the claimed design.

(56) **References Cited**

U.S. PATENT DOCUMENTS

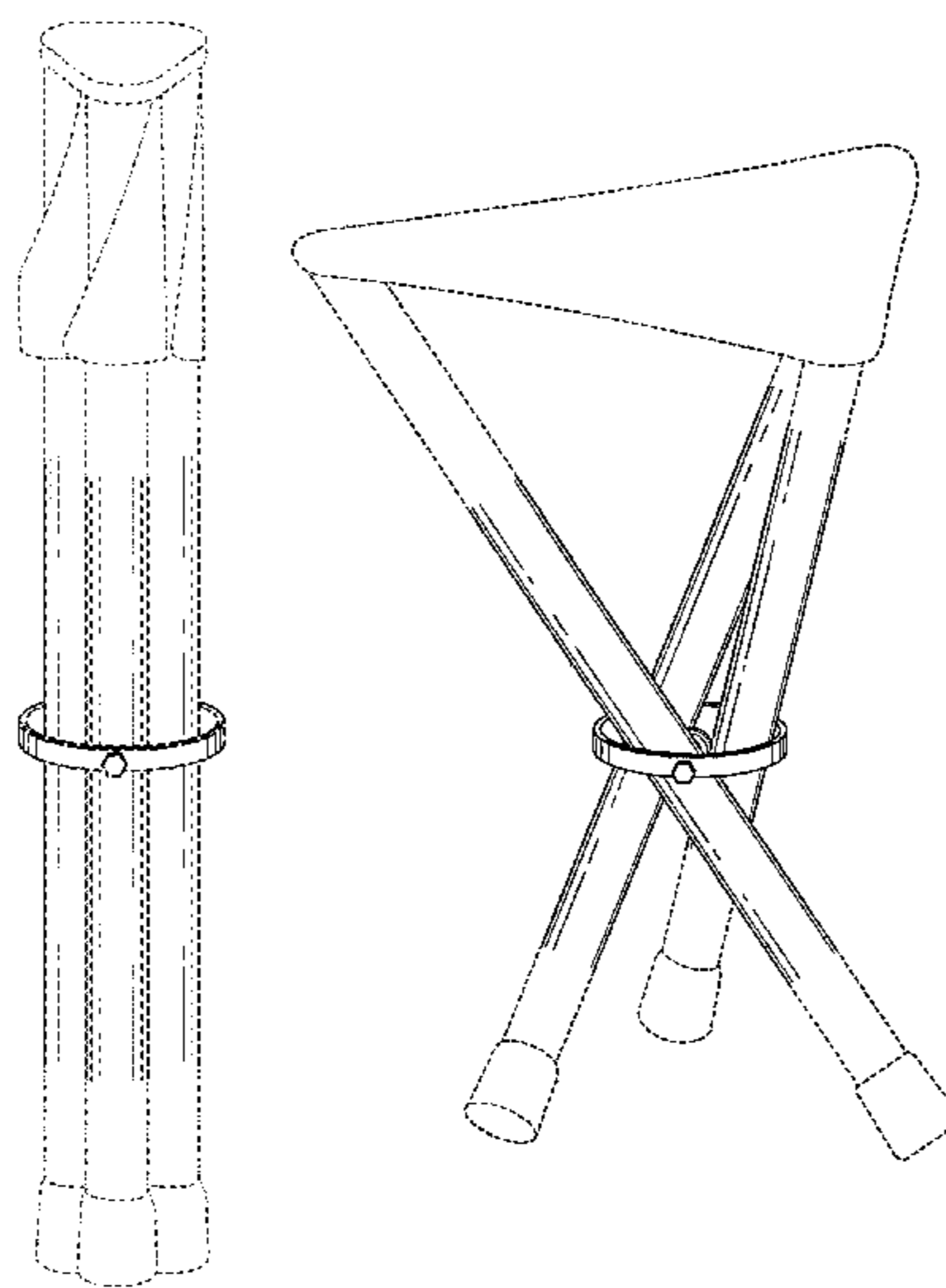
163,623	A *	5/1875	Allen	297/461
413,962	A *	10/1889	Putnam	248/155.5
476,805	A *	6/1892	Mason	297/461
747,204	A *	12/1903	Mock	108/118
772,316	A *	10/1904	Mock	108/118
1,000,618	A	8/1911	Meyer	
1,157,795	A *	10/1915	Mix	297/461

(Continued)

*Primary Examiner* — Susan Bennett Hattan

*Assistant Examiner* — Vy Koenig

**1 Claim, 10 Drawing Sheets**



(56)

**References Cited**

U.S. PATENT DOCUMENTS

1,172,439 A *	2/1916	Crozier .....	297/461	4,934,638 A	6/1990	Davis	
1,284,377 A *	11/1918	Leigh .....	297/461	D396,569 S *	8/1998	Chen .....	D6/368
1,295,265 A *	2/1919	Bradley .....	211/29	5,851,052 A	12/1998	Gustafsson	
1,371,263 A *	3/1921	Reed .....	248/150	5,876,091 A	3/1999	Chernomashentsev	
2,710,733 A *	6/1955	Phillips .....	248/431	6,135,557 A	10/2000	Gustafsson	
2,722,973 A *	11/1955	Murcott .....	108/118	6,536,732 B1	3/2003	Chang	
2,723,888 A	11/1955	Bally		6,634,704 B1 *	10/2003	Bergquist .....	297/16.2
2,749,147 A *	6/1956	Herrschaft .....	248/431	7,367,617 B1	5/2008	Bond et al.	
3,242,887 A *	3/1966	Haydock .....	108/159	7,748,777 B2 *	7/2010	Park et al. ....	297/45
4,708,308 A	11/1987	Snider		8,066,323 B2	11/2011	McCabe	
				D660,024 S	5/2012	Castle	
				8,276,339 B2 *	10/2012	Von Limburg .....	52/418
				2004/0066064 A1 *	4/2004	Neely et al. ....	297/118

\* cited by examiner

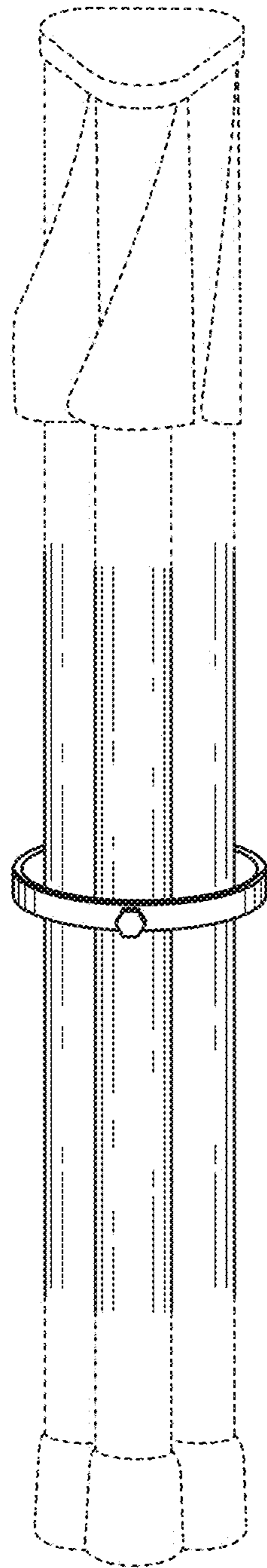


FIG. 1

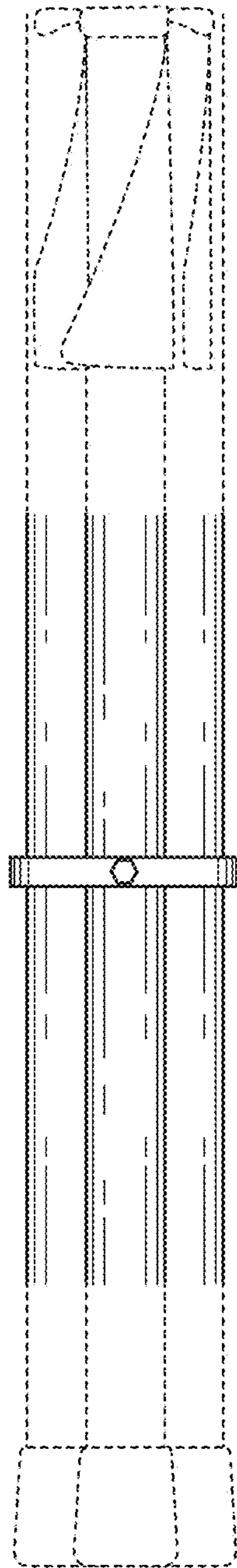


FIG. 2

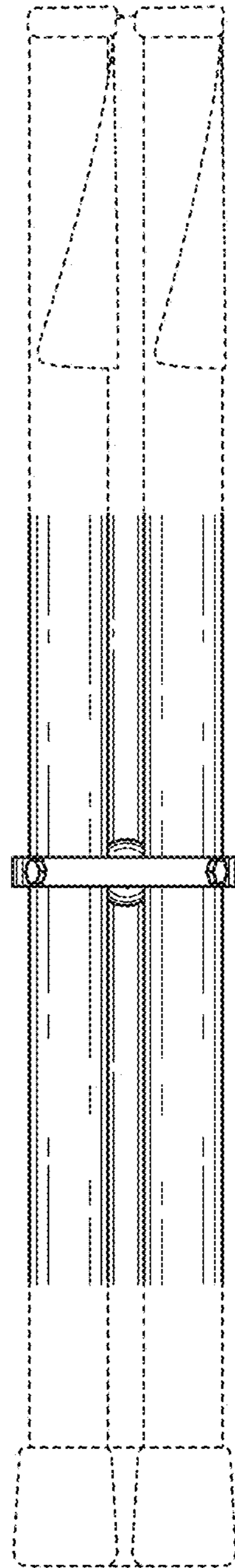


FIG. 3

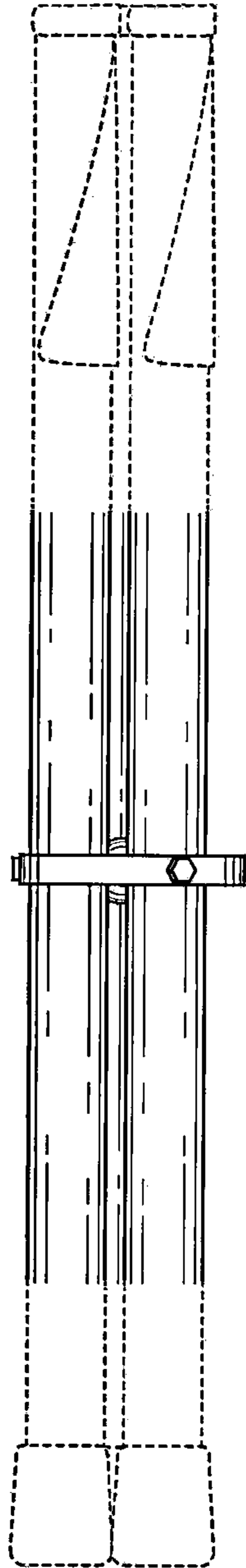


FIG. 4

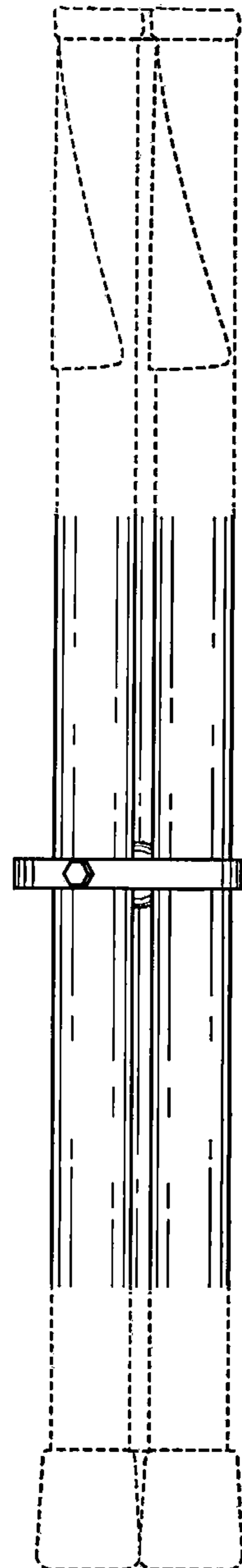


FIG. 5

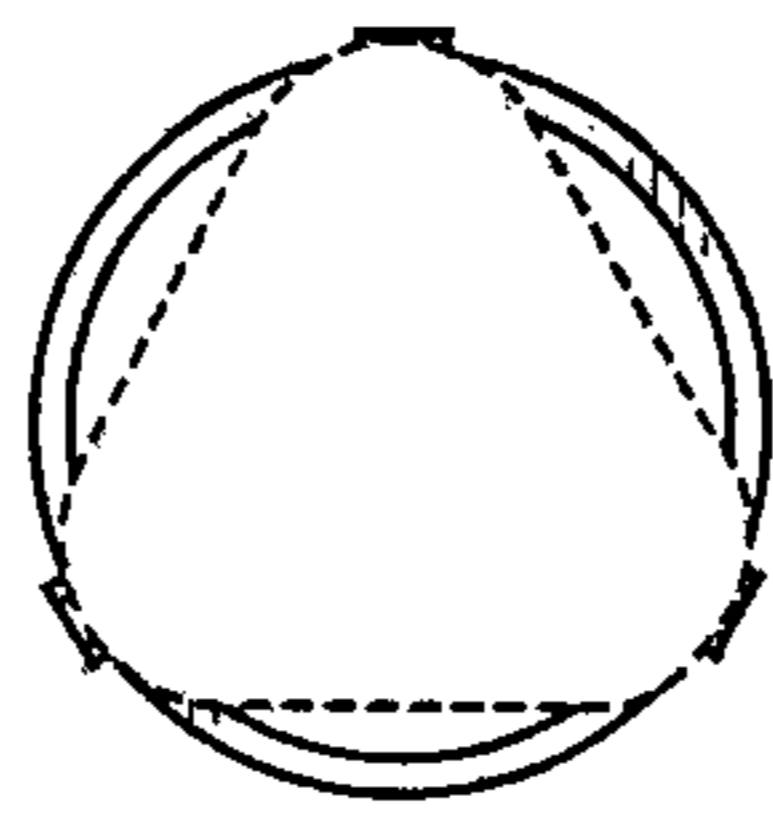


FIG. 6

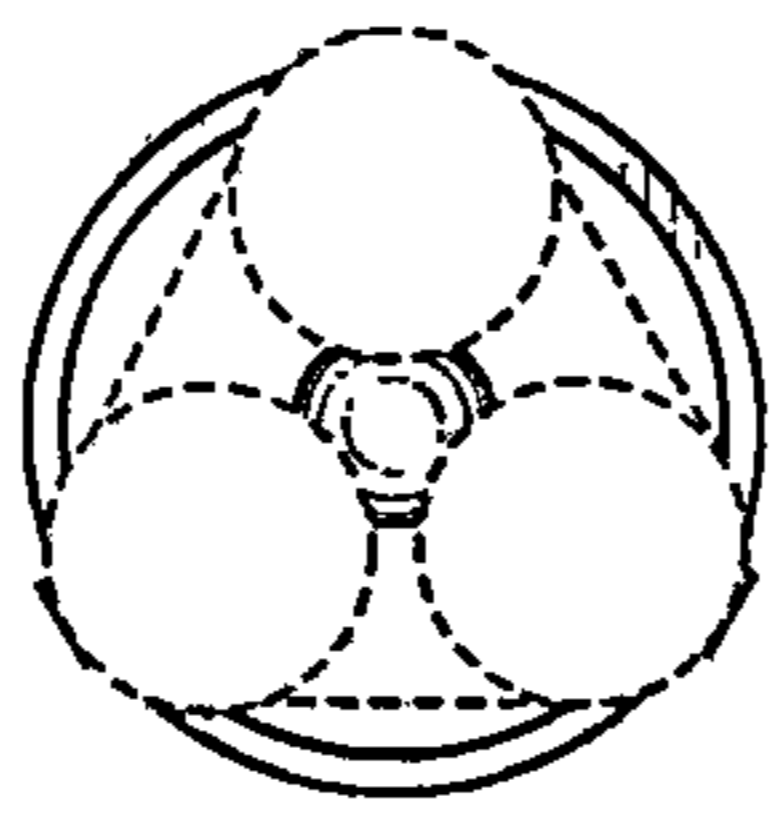


FIG. 7

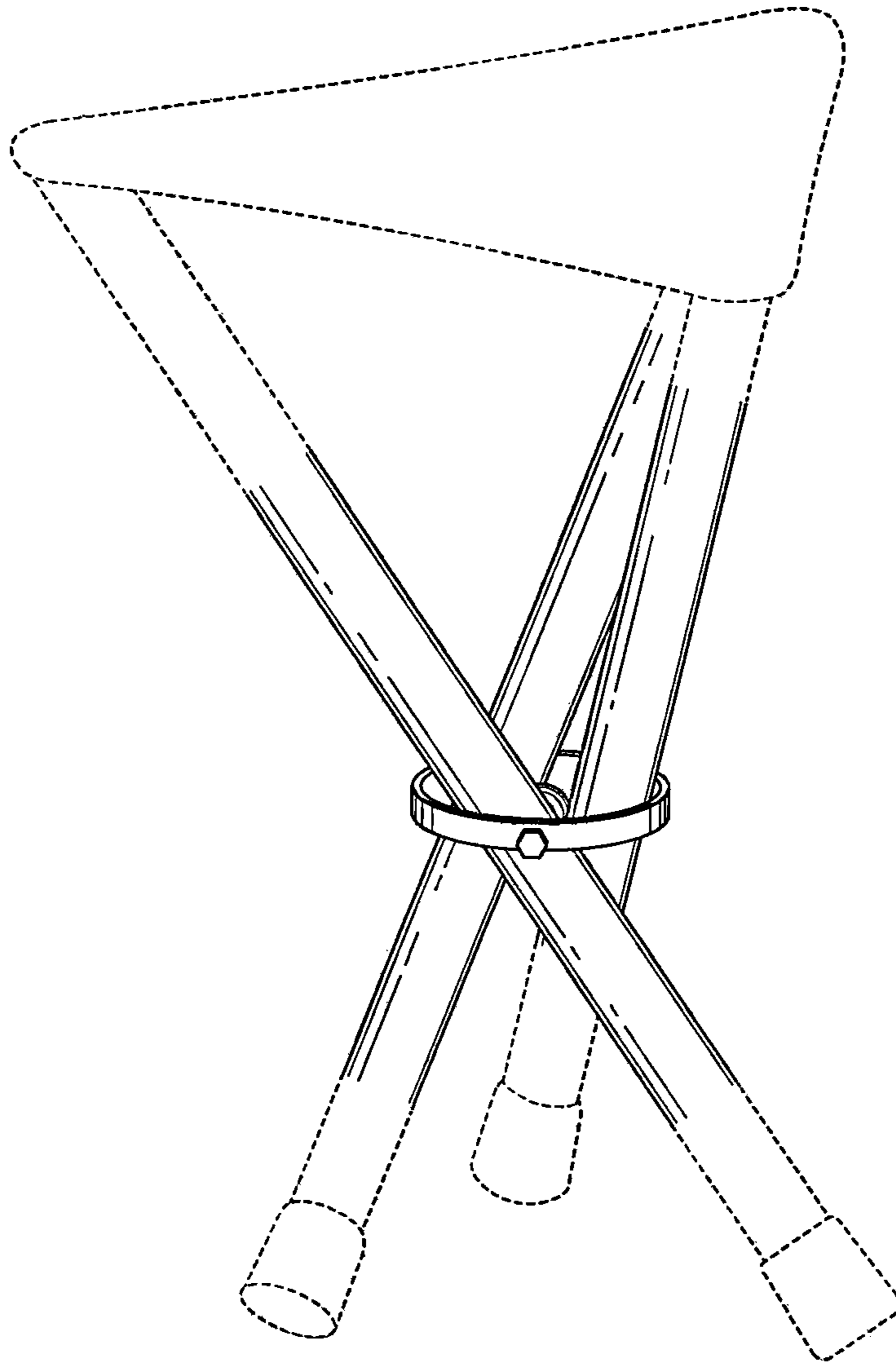


FIG. 8

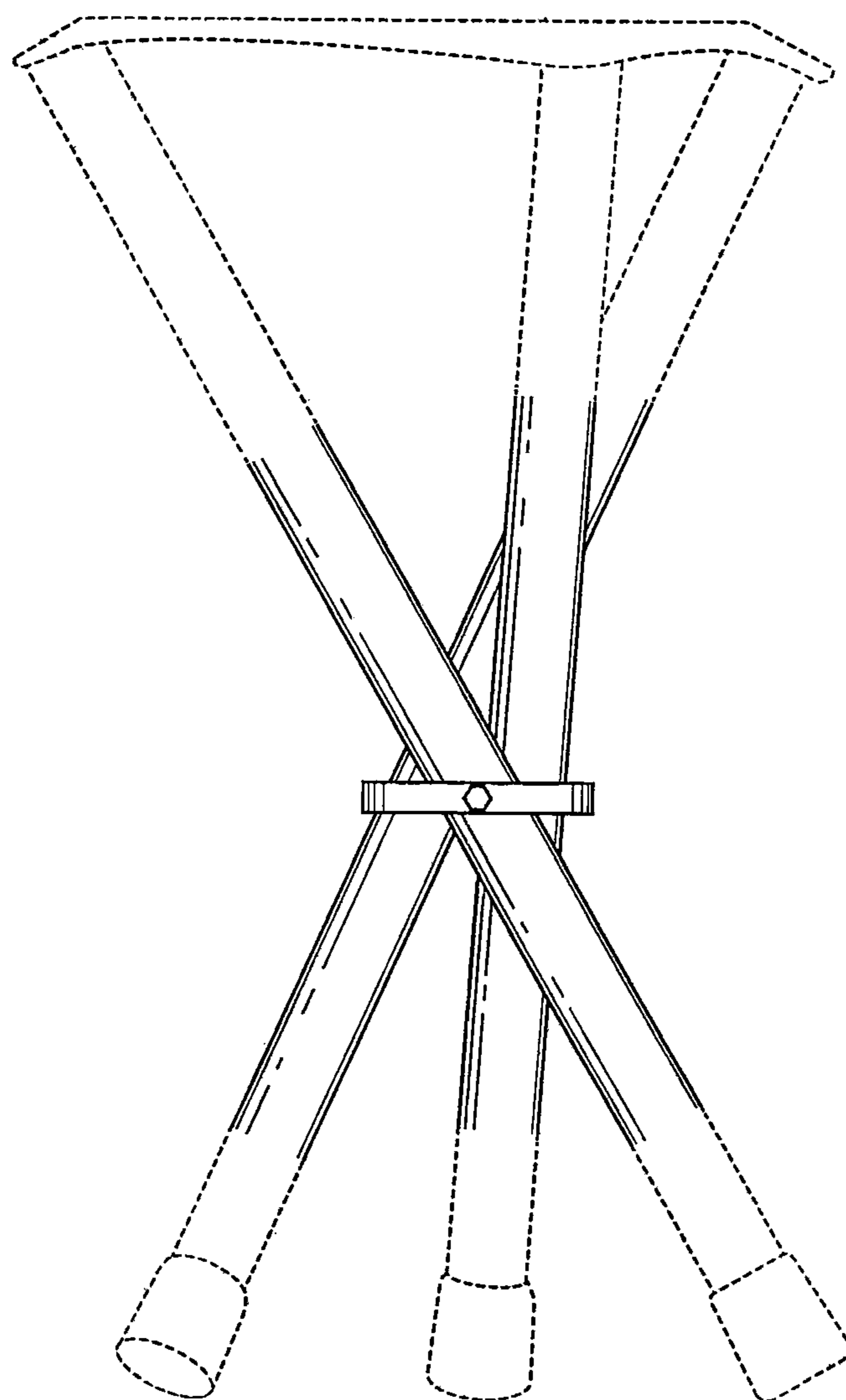


FIG. 9



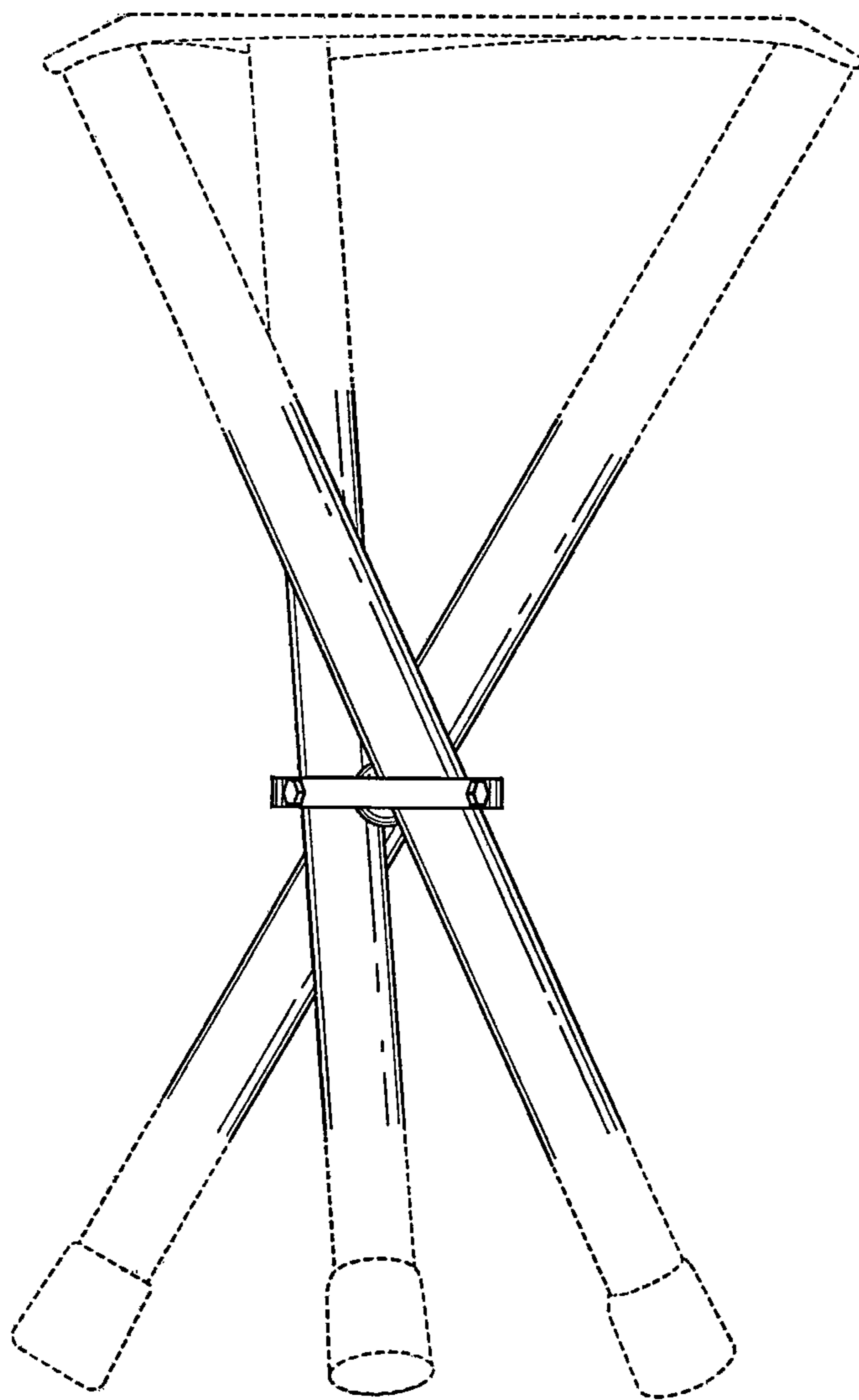


FIG. 10

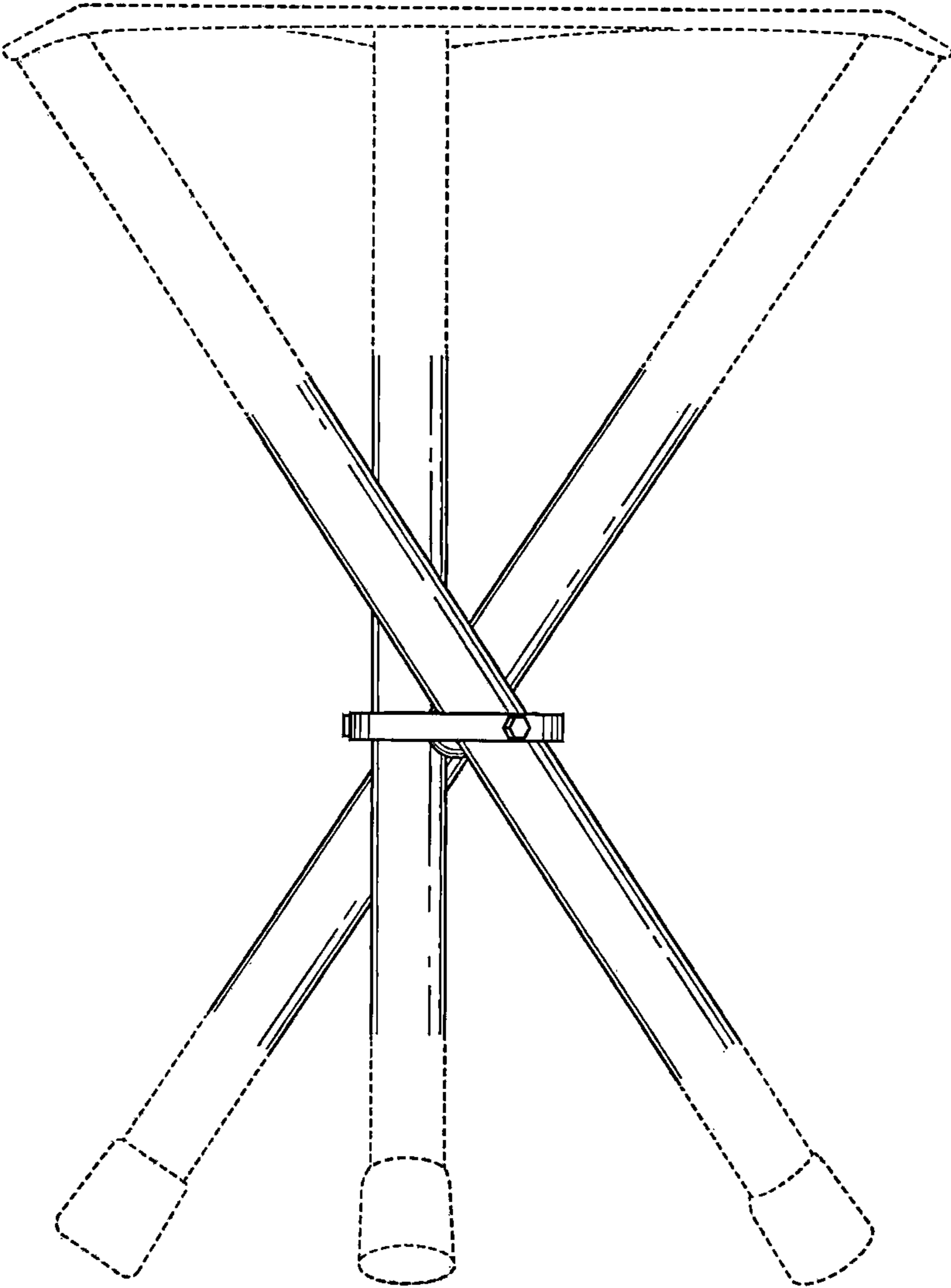


FIG. 11

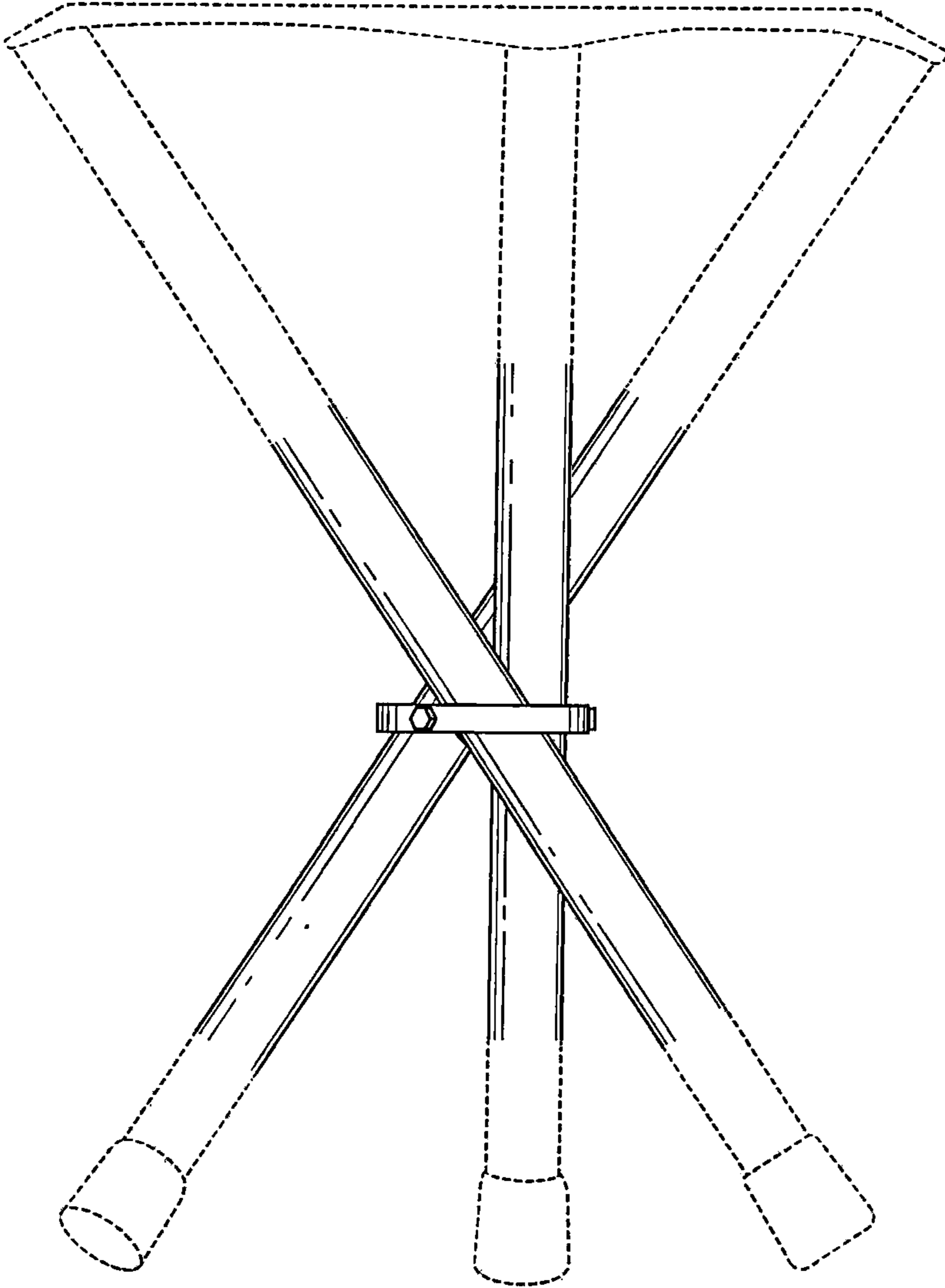


FIG. 12

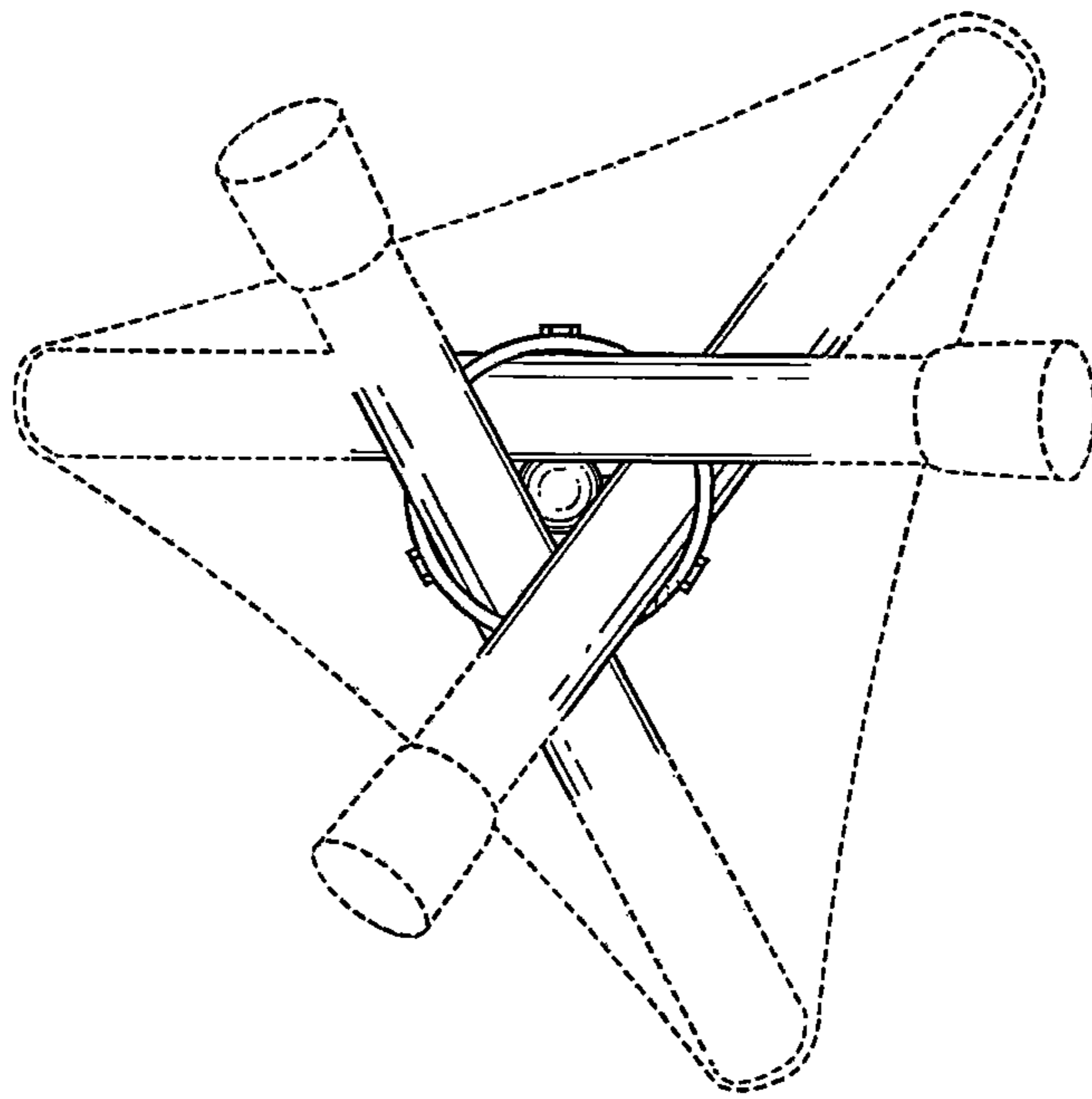


FIG. 13