



US00D714578S

(12) **United States Design Patent**
Woods

(10) **Patent No.:** **US D714,578 S**
(45) **Date of Patent:** **** Oct. 7, 2014**

(54) **FURNITURE BASE**

(75) Inventor: **Donald Woods**, Celestine, IN (US)

(73) Assignee: **Kimball International, Inc.**, Jasper, IN (US)

(**) Term: **14 Years**

(21) Appl. No.: **29/423,125**

(22) Filed: **May 29, 2012**

(51) **LOC (10) Cl.** **06-06**

(52) **U.S. Cl.**
USPC **D6/708**

(58) **Field of Classification Search**

USPC D6/432-448, 492, 495, 509, 663, 671,
D6/671.1, 672, 708, 708.21, 708.22;
D7/405; 297/188.09, 188.1, 461, 462;
312/114, 117, 138.1, 194-196, 204,
312/224, 257.1, 278-279, 348.4

See application file for complete search history.

(56) **References Cited**

U.S. PATENT DOCUMENTS

2,852,221	A	9/1958	Steiner	
D272,698	S	* 2/1984	Aulbert et al.	D6/448
D371,257	S	* 7/1996	Paus	D6/445
D371,693	S	* 7/1996	Paus	D6/446
D433,845	S	* 11/2000	Wilson et al.	D6/446
D499,901	S	* 12/2004	O'Hare	D6/446
D503,565	S	* 4/2005	Mohundro	D6/446
D511,907	S	* 11/2005	Prillaman et al.	D6/446

D512,247	S	* 12/2005	Prillaman et al.	D6/446
D525,049	S	* 7/2006	Mohundro	D6/446
D534,371	S	* 1/2007	Domack et al.	D6/446
D565,870	S	4/2008	Thompson	
D568,639	S	5/2008	Henriott	
D595,975	S	* 7/2009	Thompson	D6/446
D599,578	S	* 9/2009	Domack et al.	D6/446
D609,966	S	* 2/2010	Bengtson et al.	D7/405
D634,950	S	3/2011	Wahl et al.	

* cited by examiner

Primary Examiner — Ricky Pham

(74) *Attorney, Agent, or Firm* — Faegre Baker Daniels LLP

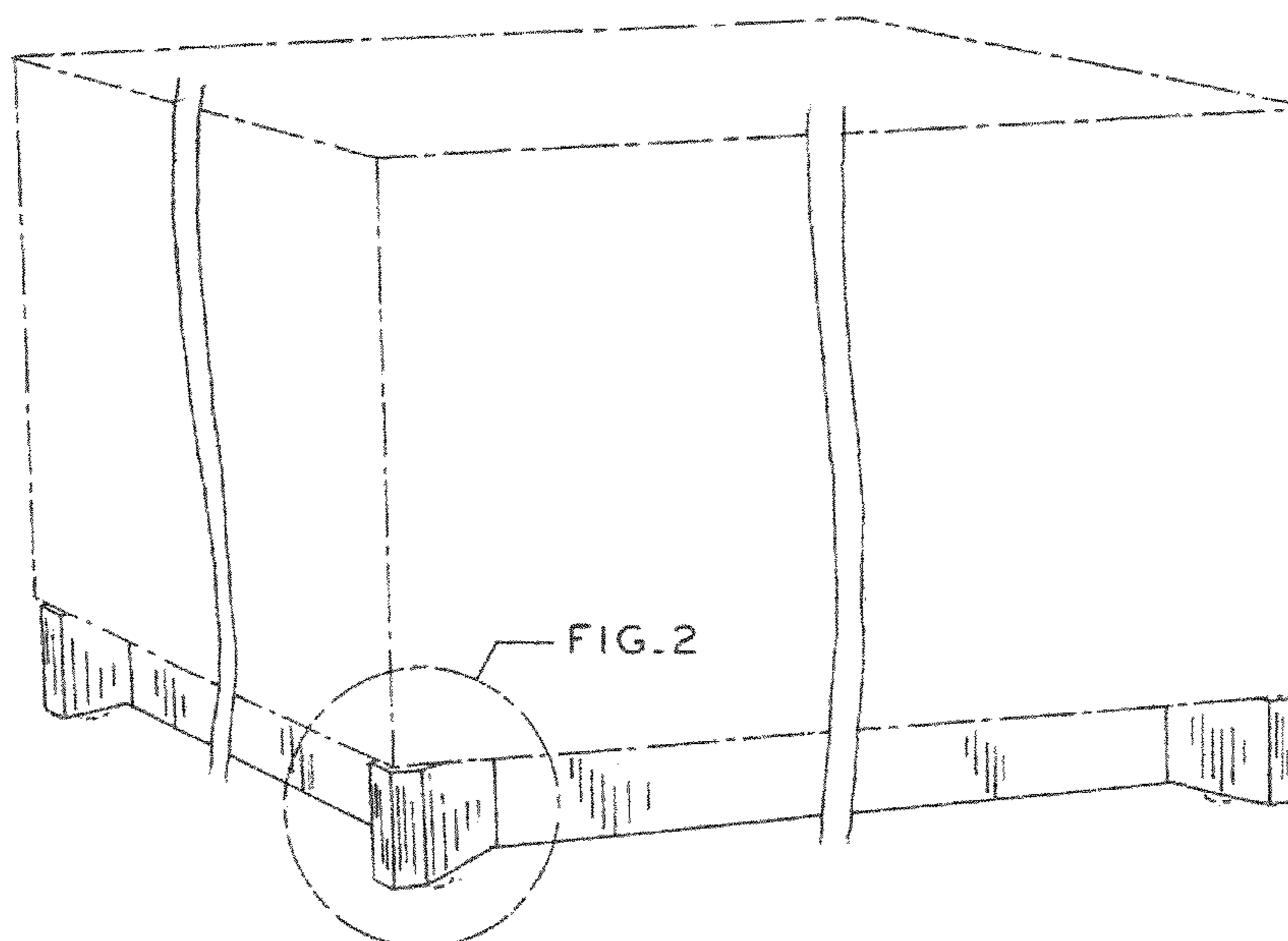
(57) **CLAIM**

The ornamental design for a furniture base, as shown and described.

DESCRIPTION

FIG. 1 is a front perspective view of a furniture base according to a first embodiment of my new design; FIG. 2 is an enlarged fragmentary view of a portion of FIG. 1; FIG. 3 is a front/rear view of the furniture base of FIG. 1, it being understood that the front and rear views are identical; FIG. 4 is an enlarged fragmentary view of a portion of FIG. 3; FIG. 5 is a left side/right side view of the furniture base of FIG. 1, it being understood that the left and right side views are identical; and, FIG. 6 is an enlarged fragmentary view of a portion of FIG. 5. The vertical break lines indicate that the width and depth of the furniture base may vary. Features shown in dashed/broken lines form no part of the claimed design.

1 Claim, 3 Drawing Sheets



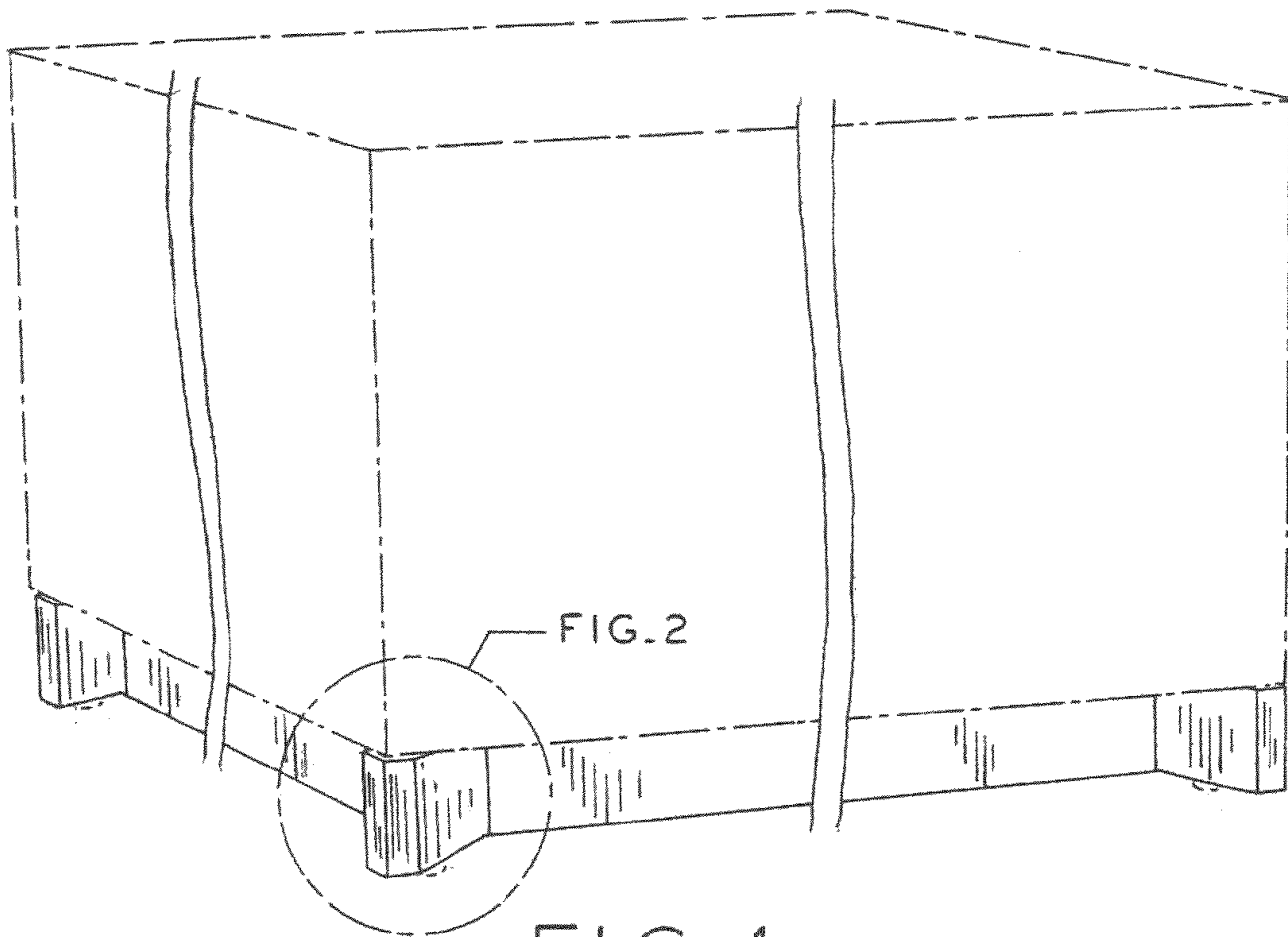


FIG. 1

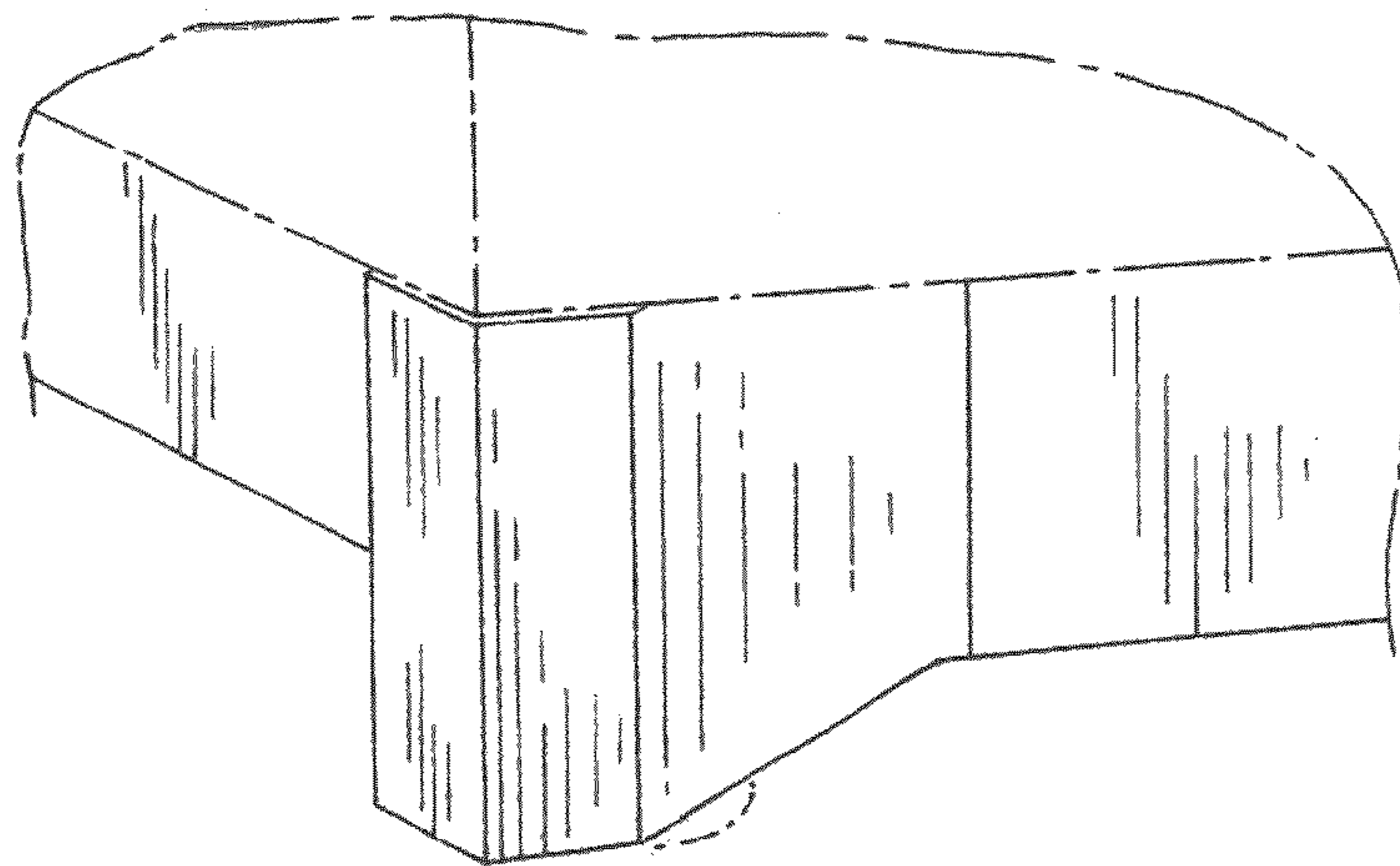


FIG. 2

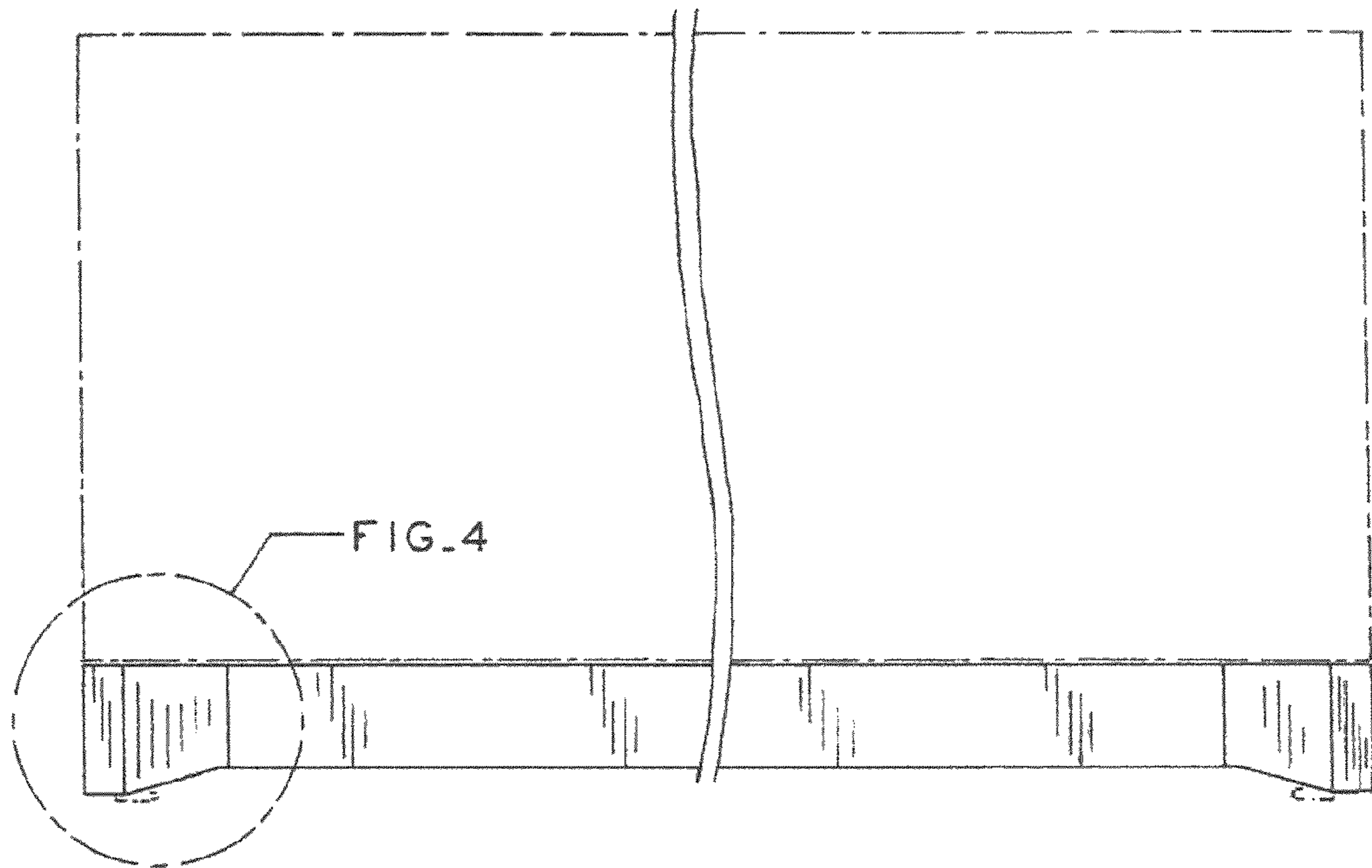


FIG. 3

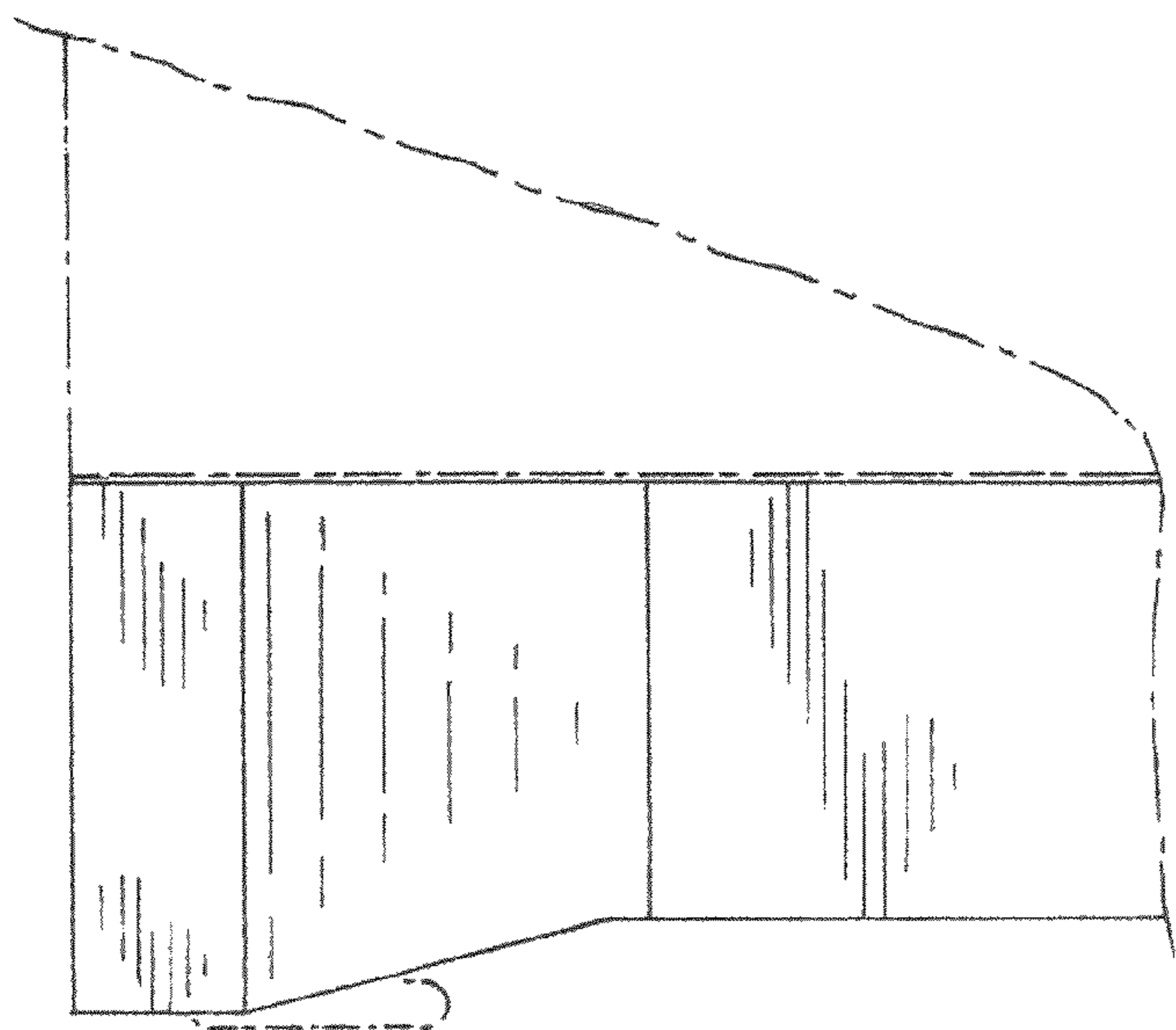


FIG. 4

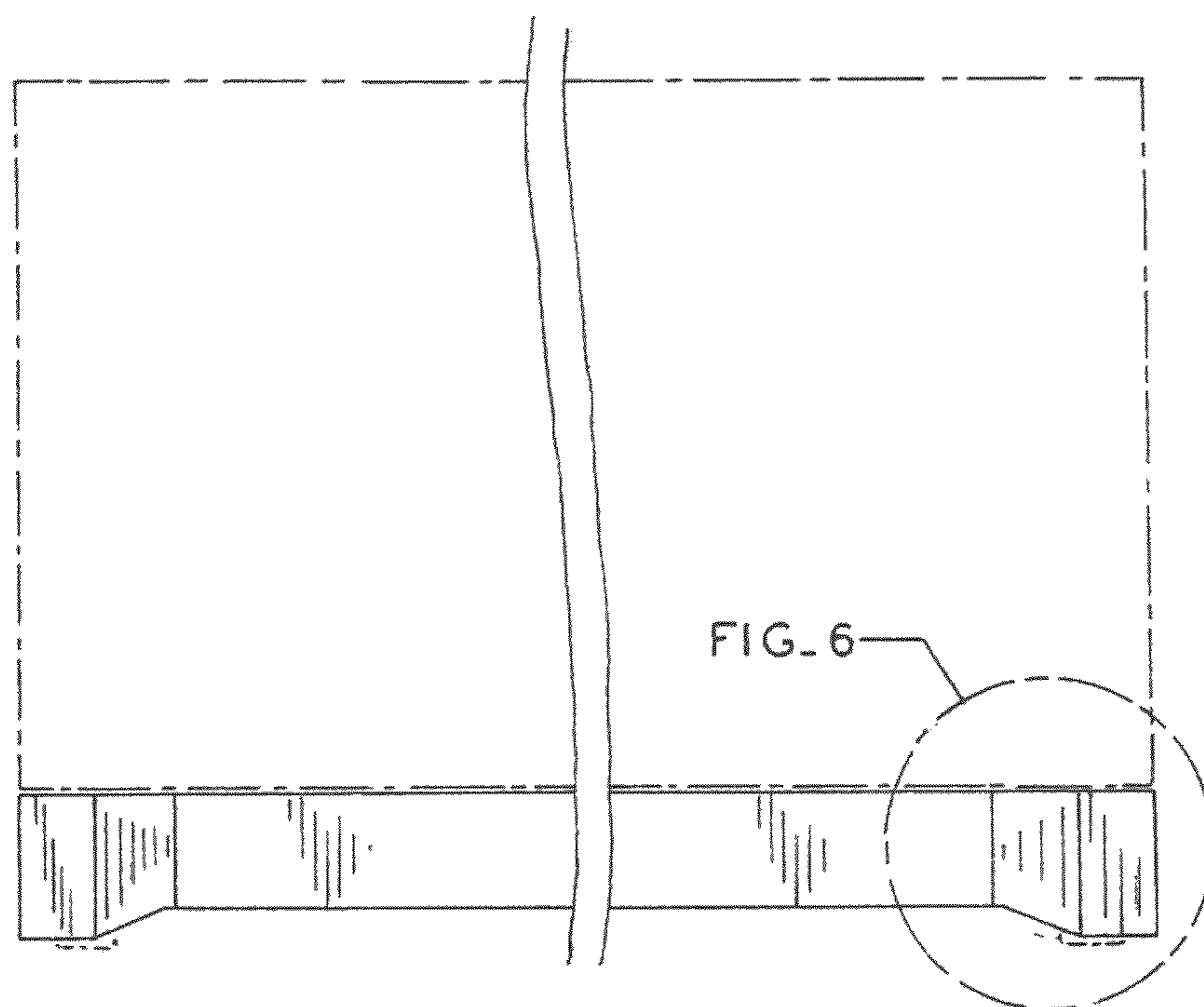


FIG. 5

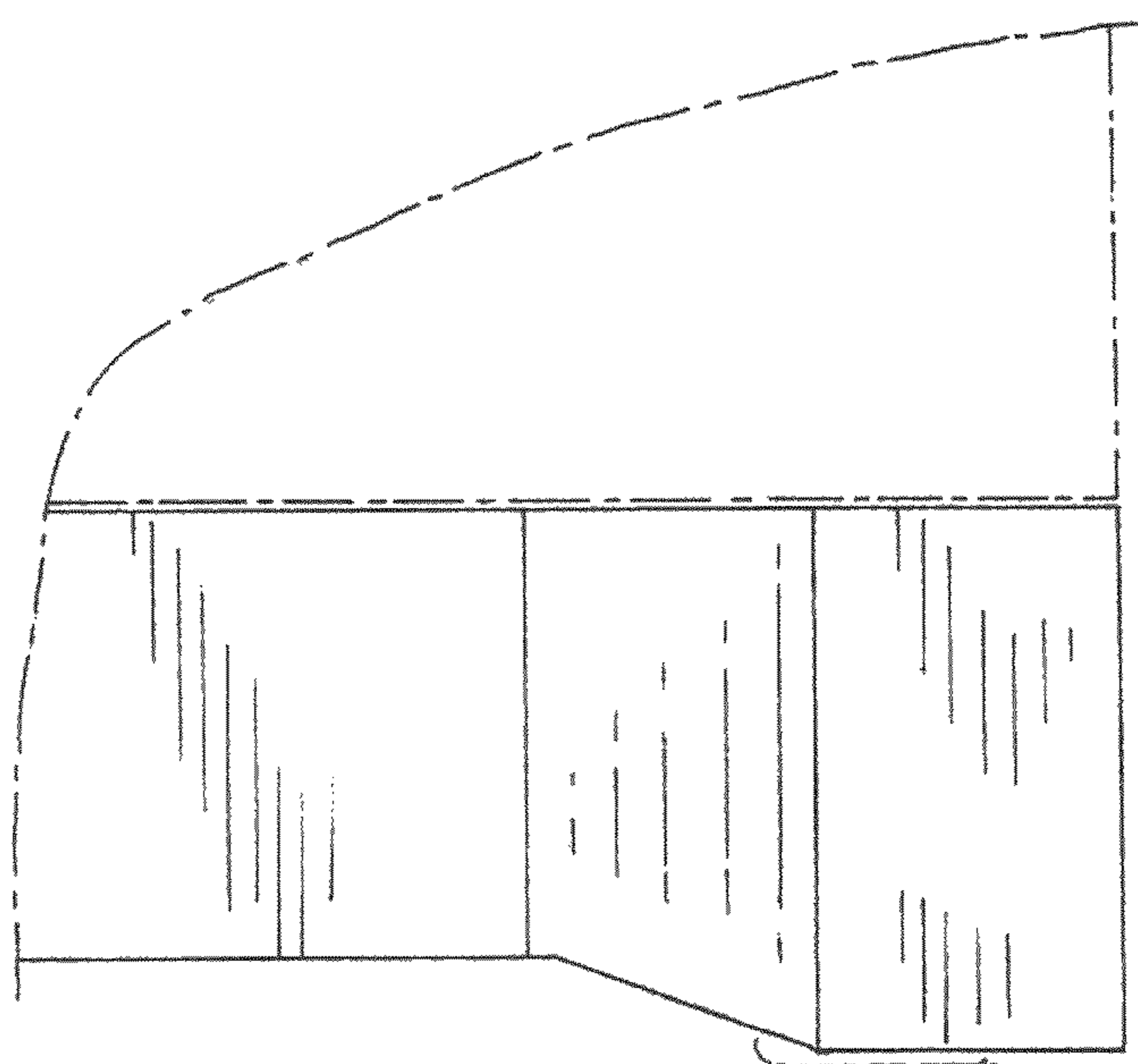


FIG. 6