



US00D714577S

(12) **United States Design Patent**  
**Troyner et al.**

(10) **Patent No.:** **US D714,577 S**

(45) **Date of Patent:** **\*\* Oct. 7, 2014**

(54) **SHELF SUPPORT BEAM**

(75) Inventors: **Anthony J Troyner**, Shorewood, IL (US); **Antonio Luis Escalante**, Chicago, IL (US); **David J Wojtowicz**, Orland Park, IL (US); **Mitchell Liss**, Northbrook, IL (US)

(73) Assignee: **Edsal Manufacturing Company, Inc.**, Chicago, IL (US)

(\*\*) Term: **14 Years**

(21) Appl. No.: **29/404,724**

(22) Filed: **Oct. 25, 2011**

(51) **LOC (10) Cl.** ..... **06-06**

(52) **U.S. Cl.**  
USPC ..... **D6/705.5**

(58) **Field of Classification Search**  
USPC ..... D6/396, 491–492, 509–511, 702, 705, D6/705.5; D25/119, 125–126; 248/441.1, 248/469, 473; 211/94.01; D8/380–381, D8/356; 52/223.8, 649.2, 650.1  
See application file for complete search history.

(56) **References Cited**

**U.S. PATENT DOCUMENTS**

|                |         |                 |       |          |
|----------------|---------|-----------------|-------|----------|
| D270,550 S *   | 9/1983  | Sax             | ..... | D20/43   |
| 4,825,529 A *  | 5/1989  | Sawada et al.   | ..... | 29/897.3 |
| D357,407 S *   | 4/1995  | Pate            | ..... | D8/381   |
| D395,816 S *   | 7/1998  | Colodny         | ..... | D8/356   |
| D421,067 S *   | 2/2000  | Weiller         | ..... | D20/43   |
| D470,926 S *   | 2/2003  | Knight          | ..... | D23/267  |
| D482,404 S *   | 11/2003 | McIlvaine       | ..... | D20/43   |
| D486,676 S *   | 2/2004  | Campbell et al. | ..... | D6/491   |
| D490,260 S *   | 5/2004  | Bowen           | ..... | D6/511   |
| 6,988,347 B2 * | 1/2006  | Nanayakkara     | ..... | 52/855   |
| D537,325 S *   | 2/2007  | Wolff et al.    | ..... | D8/381   |
| D537,326 S *   | 2/2007  | Wolff et al.    | ..... | D8/381   |
| D542,421 S *   | 5/2007  | Dempsey et al.  | ..... | D25/122  |

|              |         |                  |       |         |
|--------------|---------|------------------|-------|---------|
| D552,975 S * | 10/2007 | Ahlund           | ..... | D8/381  |
| D576,526 S * | 9/2008  | McBain           | ..... | D12/162 |
| D584,941 S * | 1/2009  | Broehl et al.    | ..... | D8/377  |
| D592,938 S * | 5/2009  | Pae et al.       | ..... | D8/356  |
| D594,386 S * | 6/2009  | Jorgensen et al. | ..... | D12/106 |
| D595,069 S * | 6/2009  | Berry et al.     | ..... | D6/491  |
| D597,353 S * | 8/2009  | Liss et al.      | ..... | D6/511  |
| D600,362 S * | 9/2009  | Geffe            | ..... | D25/126 |
| D600,826 S * | 9/2009  | Ratanasiriwilai  | ..... | D25/121 |
| D602,764 S * | 10/2009 | Pae et al.       | ..... | D8/356  |
| D604,537 S * | 11/2009 | Liss et al.      | ..... | D6/511  |

(Continued)

*Primary Examiner* — Kelley Donnelly

(74) *Attorney, Agent, or Firm* — Wood, Herron & Evans, LLP

(57) **CLAIM**

The ornamental design for a shelf support beam, as shown and described.

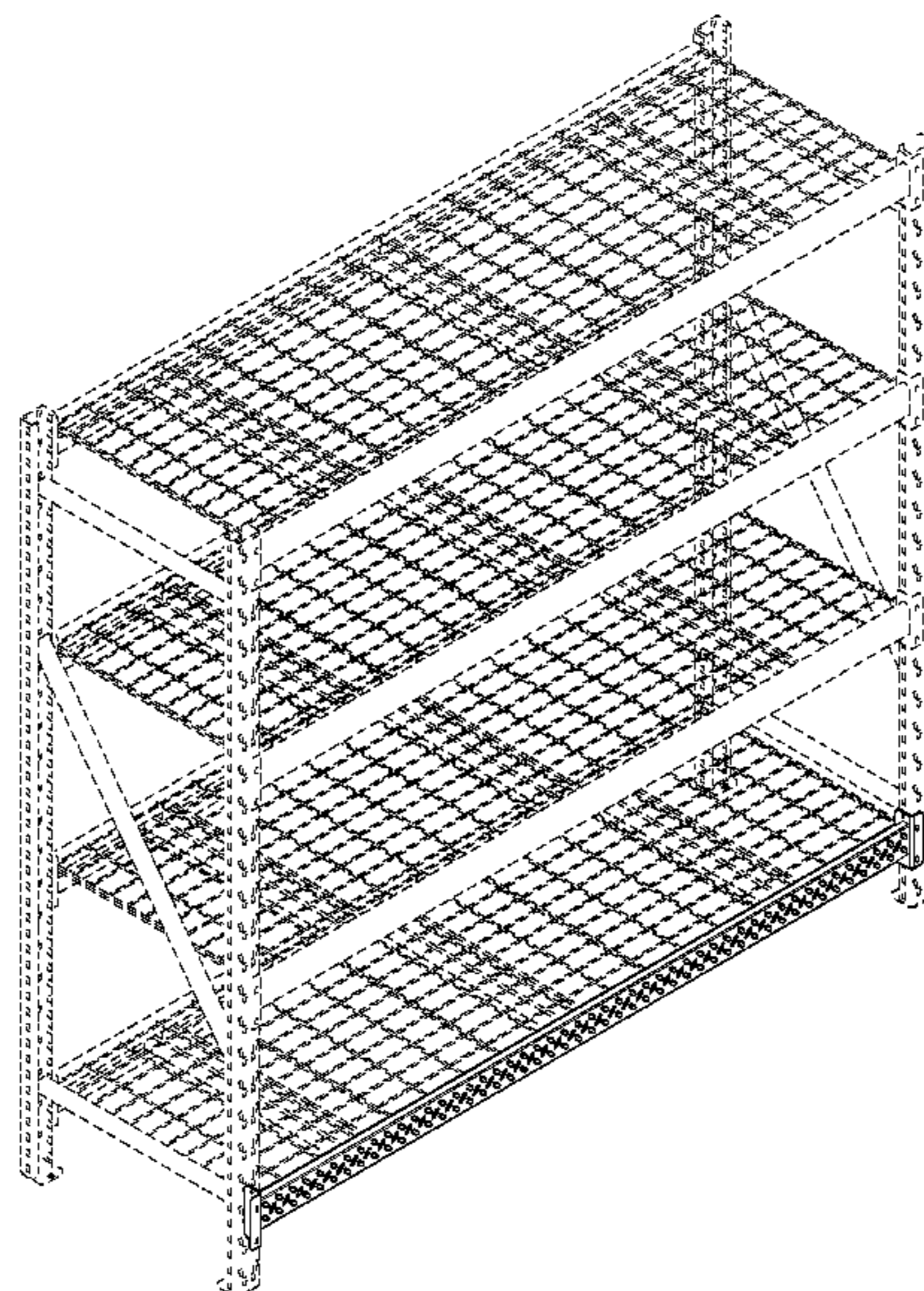
**DESCRIPTION**

FIG. 1 is an isometric view of the shelf support beam of our new design;  
FIG. 2 is a front isometric view thereof;  
FIG. 3 is a rear isometric view thereof;  
FIG. 4 is a front elevational view thereof;  
FIG. 5 is a rear elevational view thereof;  
FIG. 6 is a top plan view thereof;  
FIG. 7 is a bottom view thereof;  
FIG. 8 is a left side elevational view thereof, a right side elevational view being a mirror image;  
FIG. 9 is a cross-sectional view of a portion of FIG. 2; and,  
FIG. 10 is a rear cross section view of FIG. 9.

The broken lines showing are included for the purpose of illustrating environment and form no part of the claimed design.

The diagonal lines illustrated on the end of the enlarged portion of the shelf support beam in FIG. 9 represent a cross-sectional view and does not form part of the claimed design.

**1 Claim, 6 Drawing Sheets**



(56)

**References Cited**

U.S. PATENT DOCUMENTS

|           |      |         |                     |          |              |      |         |                     |           |
|-----------|------|---------|---------------------|----------|--------------|------|---------|---------------------|-----------|
| 7,625,467 | B2 * | 12/2009 | Ando et al. ....    | 202/266  | D639,585     | S *  | 6/2011  | Shen et al. ....    | D6/495    |
| D609,825  | S *  | 2/2010  | Clarke et al. ....  | D25/126  | D640,123     | S *  | 6/2011  | Stearns et al. .... | D8/355    |
| D618,365  | S *  | 6/2010  | Crane .....         | D25/121  | D647,246     | S *  | 10/2011 | Chadwick .....      | D26/138   |
| D625,534  | S *  | 10/2010 | Chen .....          | D7/619.1 | D649,692     | S *  | 11/2011 | Trzesniowski .....  | D26/138   |
| D626,817  | S *  | 11/2010 | Donowho et al. .... | D8/356   | D652,986     | S *  | 1/2012  | Trzesniowski .....  | D26/138   |
| 7,874,125 | B2 * | 1/2011  | Polk, Jr. ....      | 52/836   | D660,462     | S *  | 5/2012  | Chen .....          | D25/119   |
| D633,781  | S *  | 3/2011  | Wood .....          | D8/381   | D660,544     | S *  | 5/2012  | Onayama .....       | D34/29    |
|           |      |         |                     |          | D677,502     | S *  | 3/2013  | Ryan .....          | D6/707.22 |
|           |      |         |                     |          | D696,344     | S *  | 12/2013 | Ehrlich et al. .... | D19/10    |
|           |      |         |                     |          | 2006/0175274 | A1 * | 8/2006  | Yang .....          | 211/94.01 |

\* cited by examiner

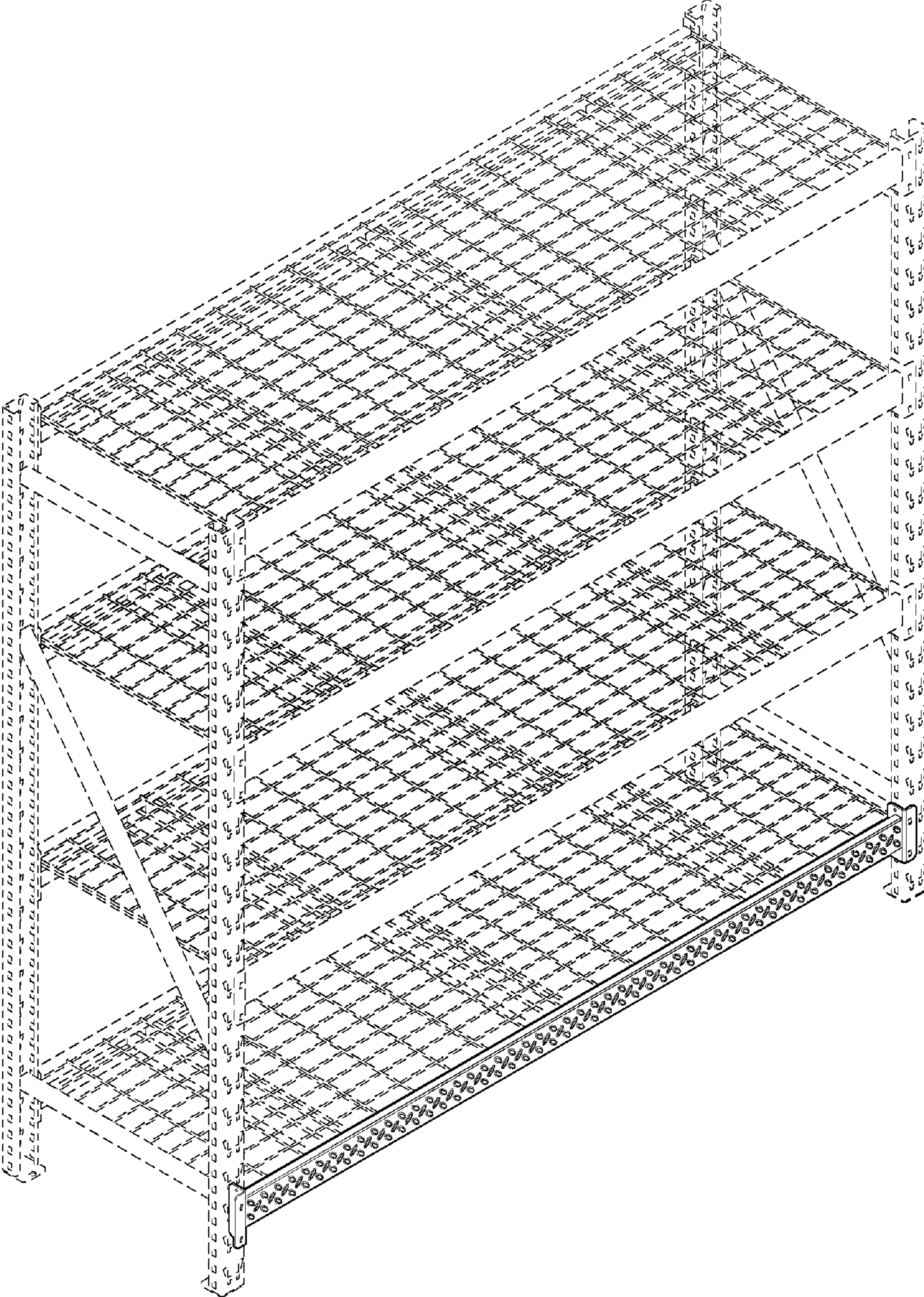


FIG. 1

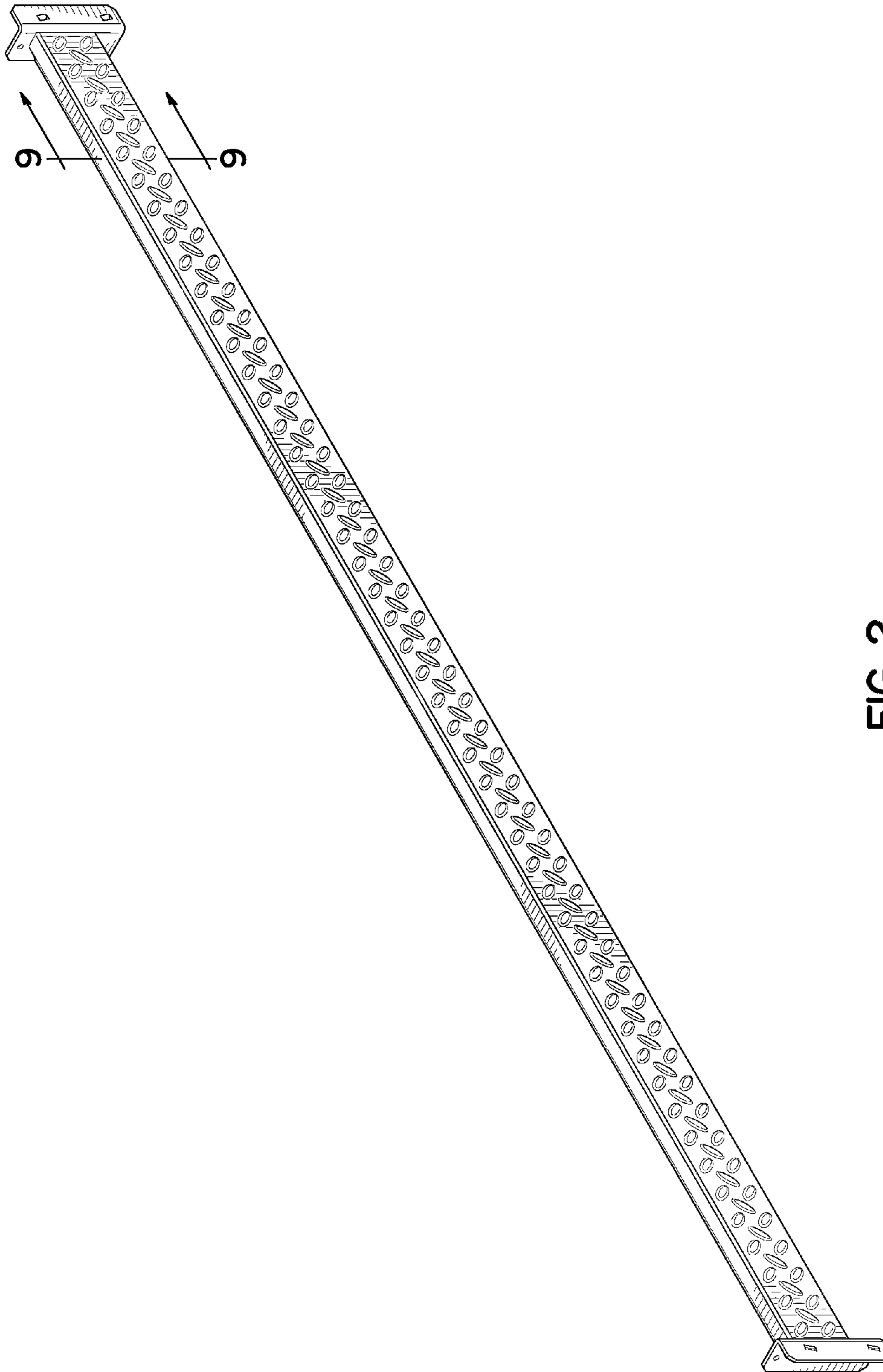


FIG. 2

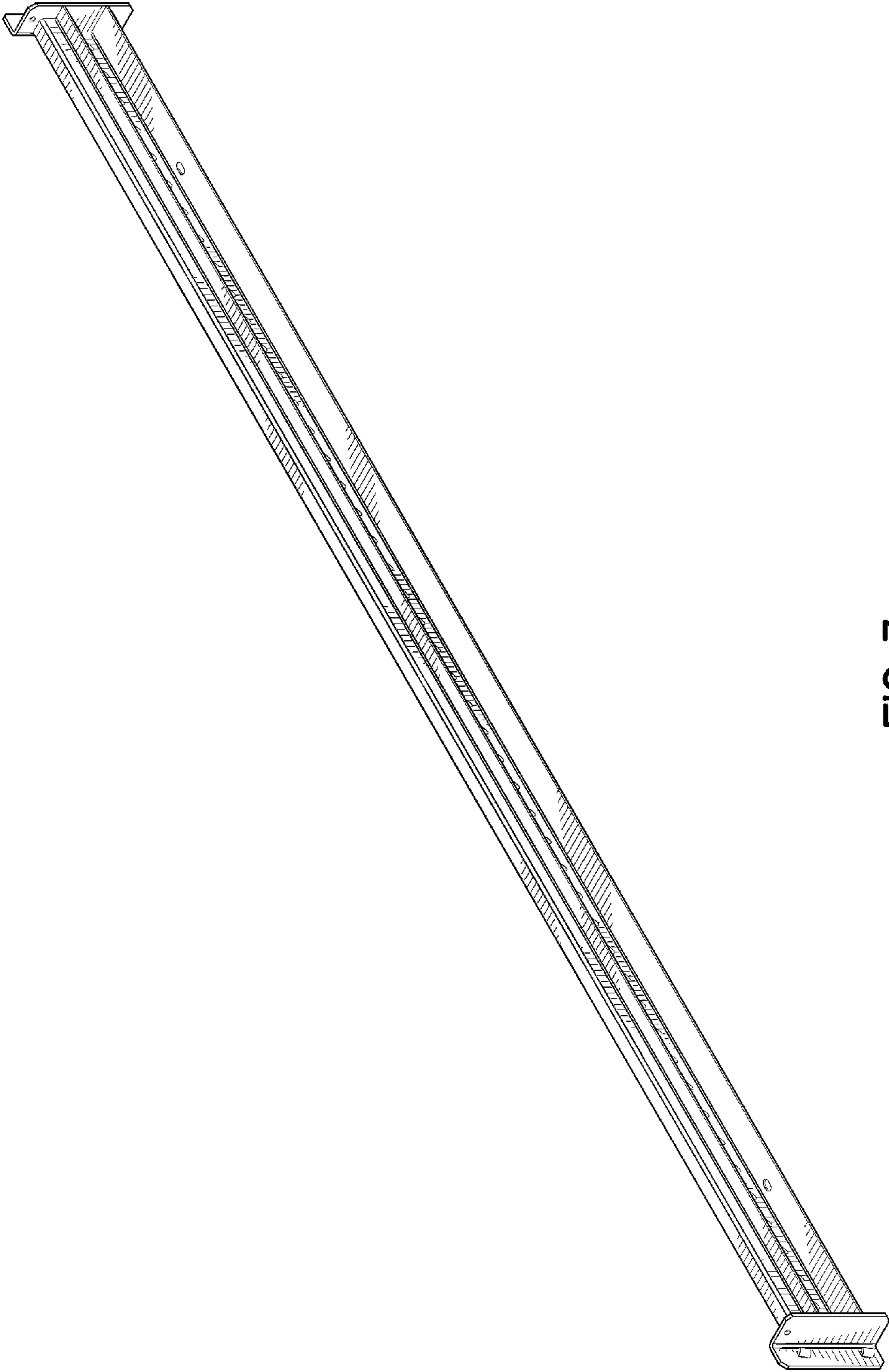


FIG. 3

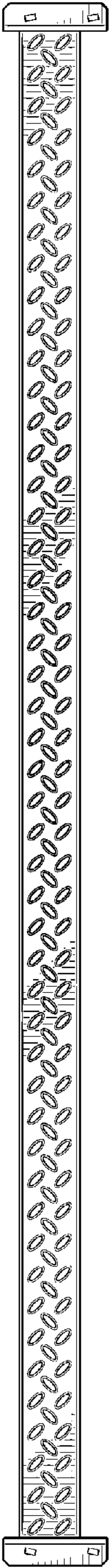


FIG. 4

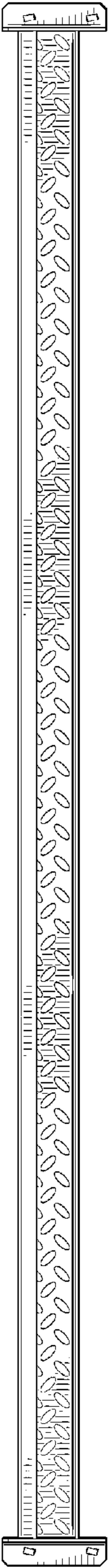


FIG. 5

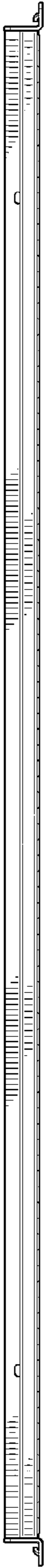


FIG. 6

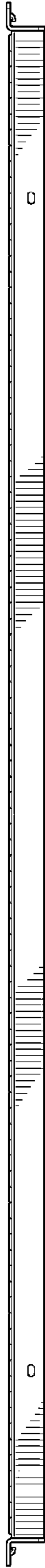


FIG. 7

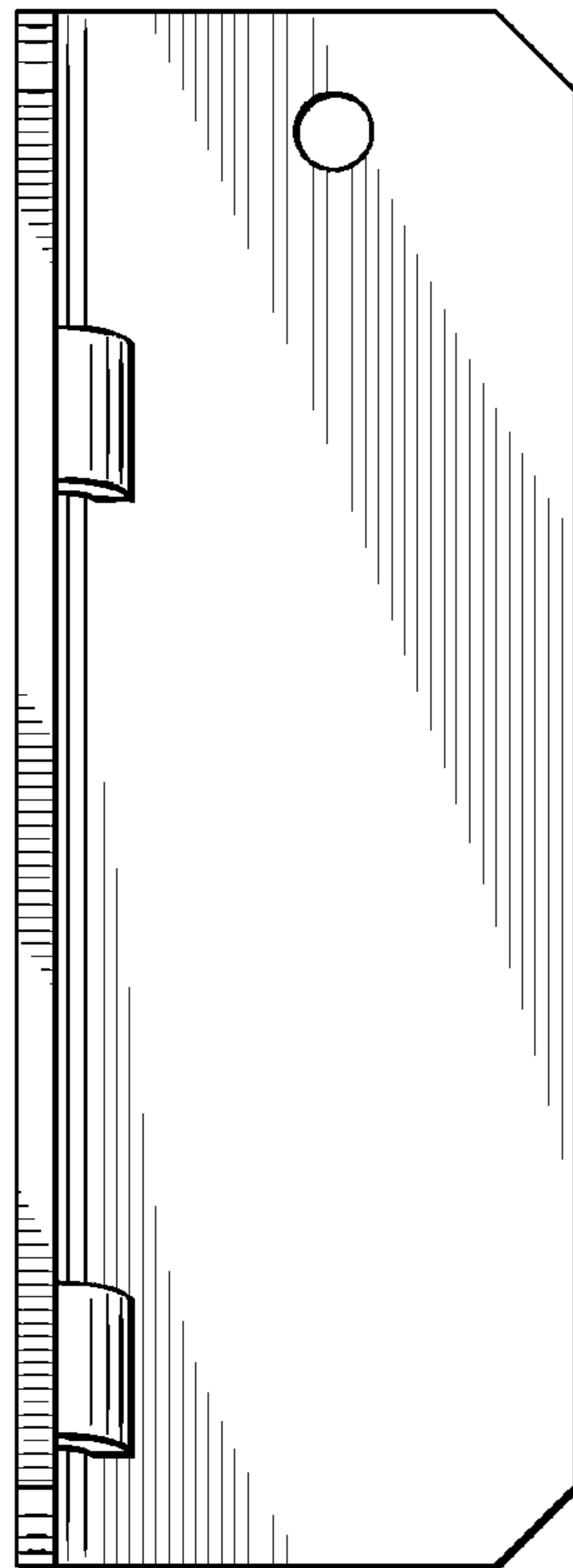


FIG. 8

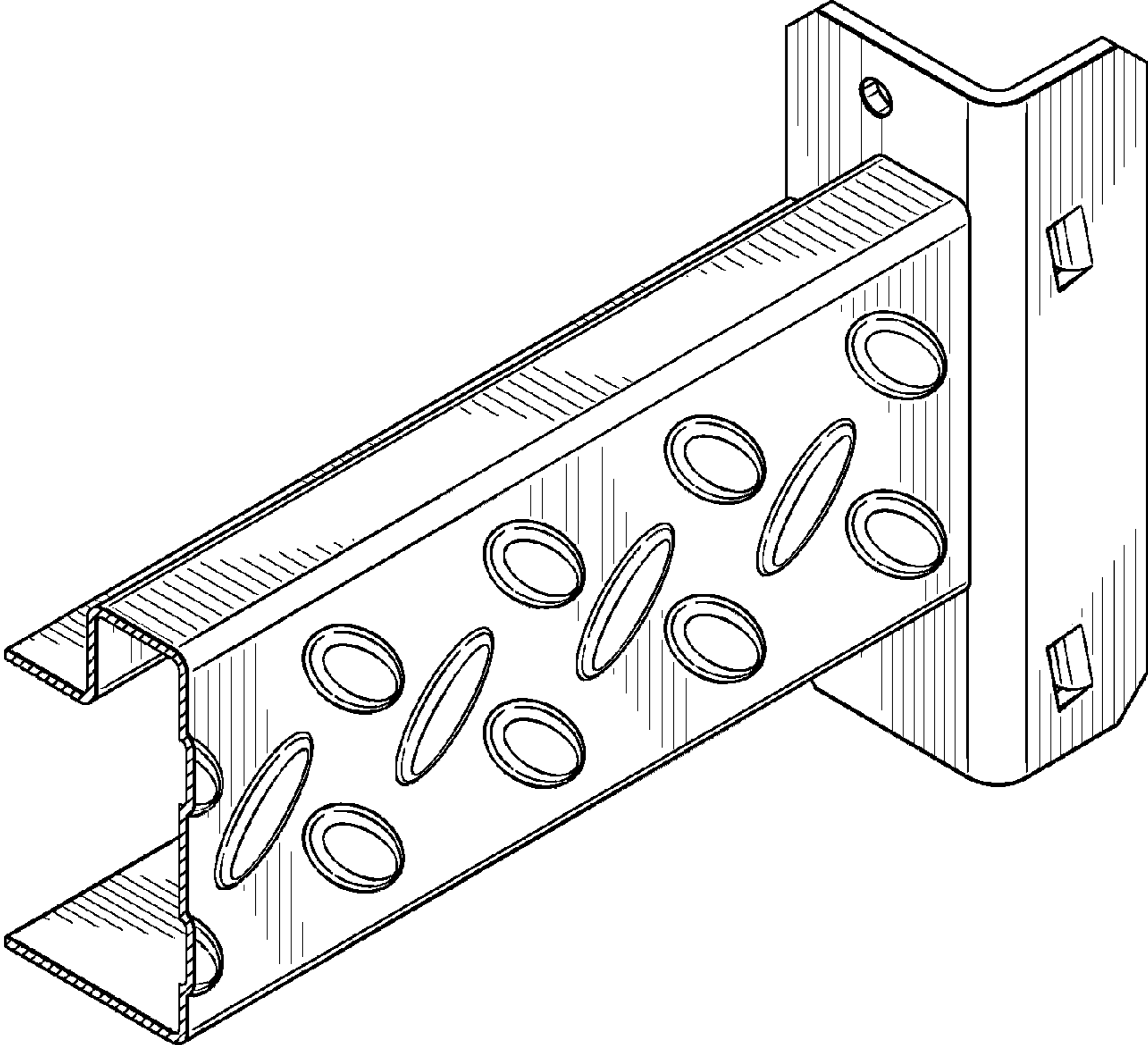


FIG. 9

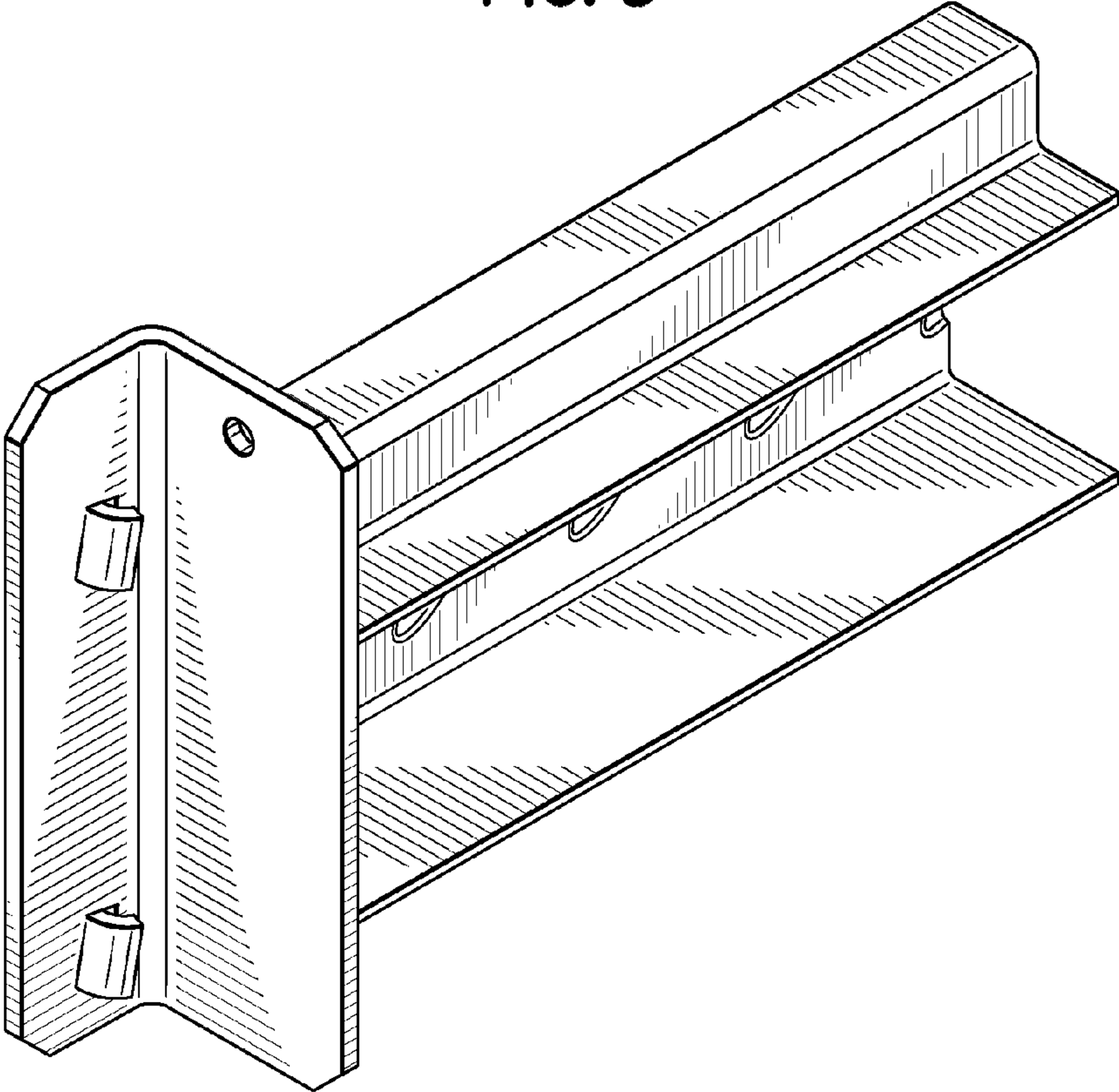


FIG. 10