



US00D714573S

(12) **United States Design Patent**
DeChristofaro

(10) **Patent No.:** **US D714,573 S**

(45) **Date of Patent:** **** Oct. 7, 2014**

(54) **DOCK WITH INTEGRAL DISPENSER**

(74) *Attorney, Agent, or Firm* — Blank Rome LLP

(71) Applicant: **David DeChristofaro Investments, LLC**, Niles, OH (US)

(57) **CLAIM**

The ornamental design for a dock with an integral dispenser, as shown and described.

(72) Inventor: **David M. DeChristofaro**, Niles, OH (US)

DESCRIPTION

(73) Assignee: **David DeChrisofaro Investments LLC**, Niles, OH (US)

FIG. 1 is a perspective view of a dock of the present design, the dock comprising an integral dispenser and an opening.

(**) Term: **14 Years**

FIG. 2 is a left side view of the dock of FIG. 1, the right side view being a mirror image thereof.

(21) Appl. No.: **29/483,153**

FIG. 3 is a rear view of the dock of FIG. 1.

(22) Filed: **Feb. 26, 2014**

FIG. 4 is a front view of the dock of FIG. 1.

(51) **LOC (10) Cl.** **23-02**

FIG. 5 is a top view of the dock of FIG. 1.

(52) **U.S. Cl.**

USPC **D6/542**

FIG. 6 is a perspective view of the dock of FIG. 1 showing a scrubber disposed within the opening of the dock, the scrubber shown in dashed lines.

(58) **Field of Classification Search**

USPC D6/542-545, 524, 527-528, 530-531;
221/282; 222/14, 173, 146.3, 628, 251,
222/181.1, 181.3; D9/682, 688, 690, 691,
D9/448, 449

FIG. 7 is a left side view of the dock of FIG. 1 showing a scrubber disposed within the opening of the dock, the scrubber shown in dashed lines, the right side view being a mirror image thereof.

See application file for complete search history.

FIG. 8 is a rear view of the dock of FIG. 1 showing a scrubber disposed within the opening of the dock, the scrubber shown in dashed lines.

(56) **References Cited**

U.S. PATENT DOCUMENTS

D531,843 S	*	11/2006	Snell	D6/542
D563,704 S	*	3/2008	Snell	D6/542
D642,840 S	*	8/2011	Dretzka	D6/542

FIG. 9 is a front view of the dock of FIG. 1 showing a scrubber disposed within the opening of the dock, the scrubber shown in dashed lines; and,

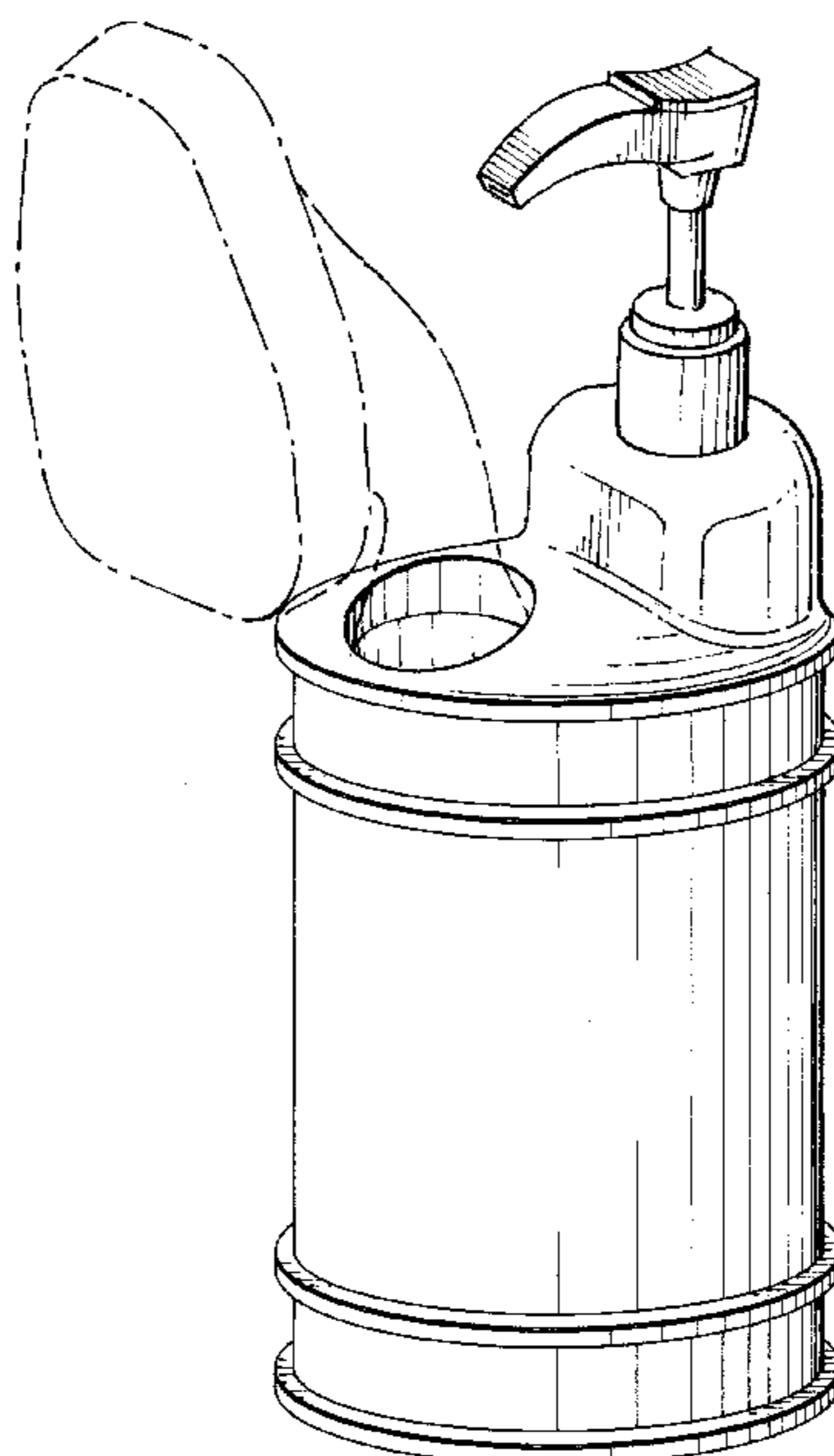
* cited by examiner

FIG. 10 is a top view of the dock of FIG. 1 showing a scrubber disposed within the opening of the dock, the scrubber shown in dashed lines.

The dashed lines shown in the figures are for illustration only and do not form part of the claimed design.

Primary Examiner — Brian N Vinson

1 Claim, 7 Drawing Sheets



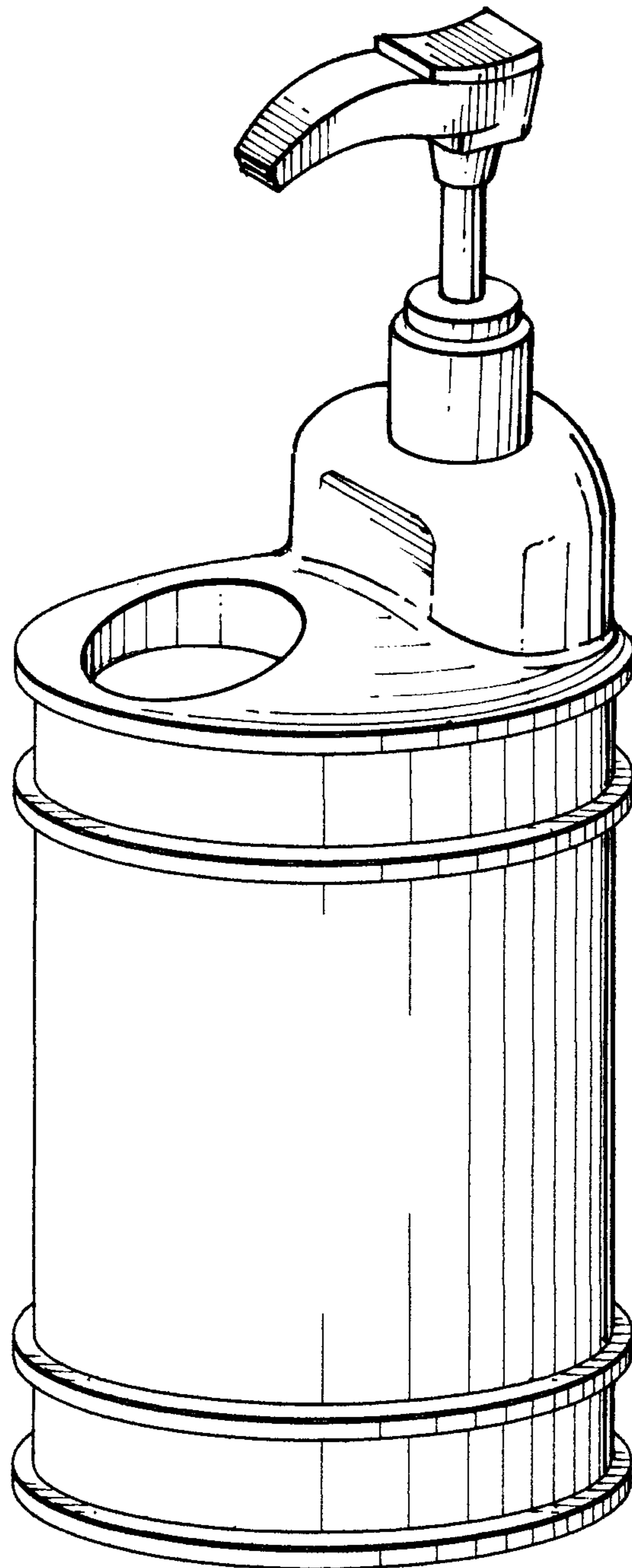


FIG. 1

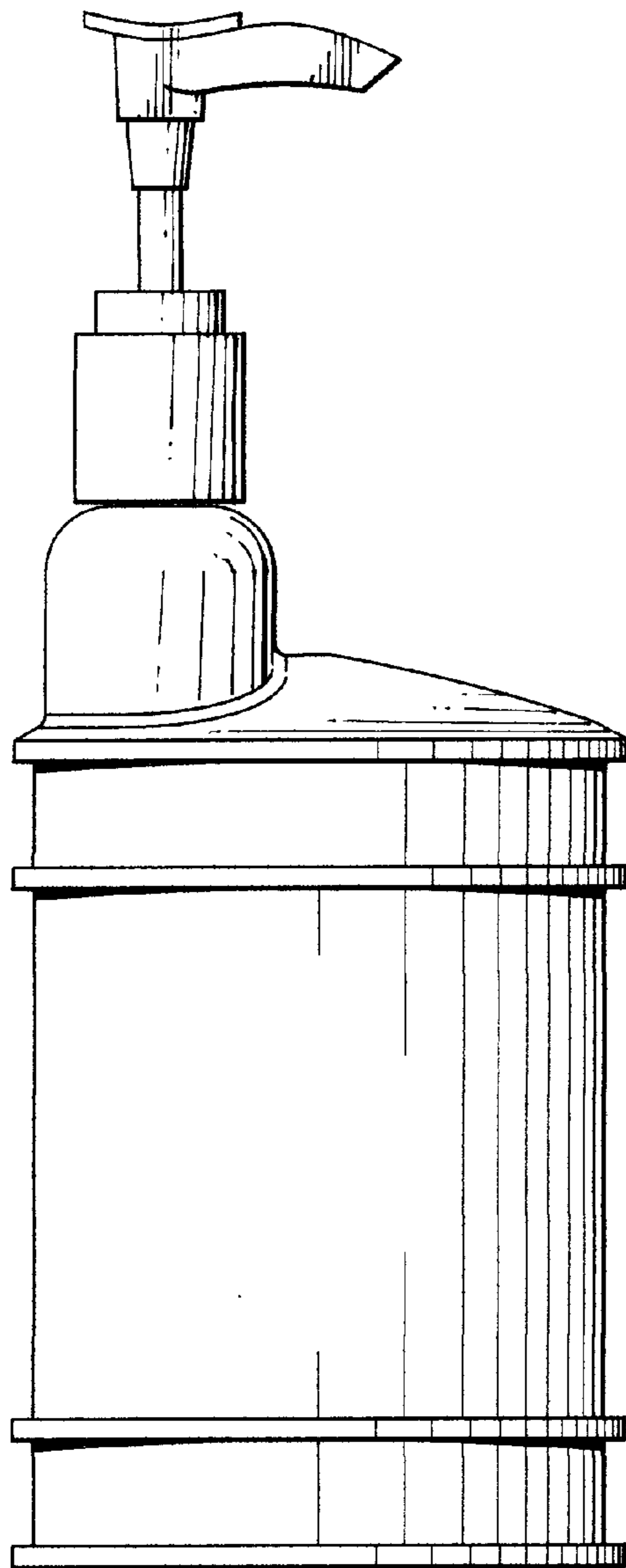


FIG. 2

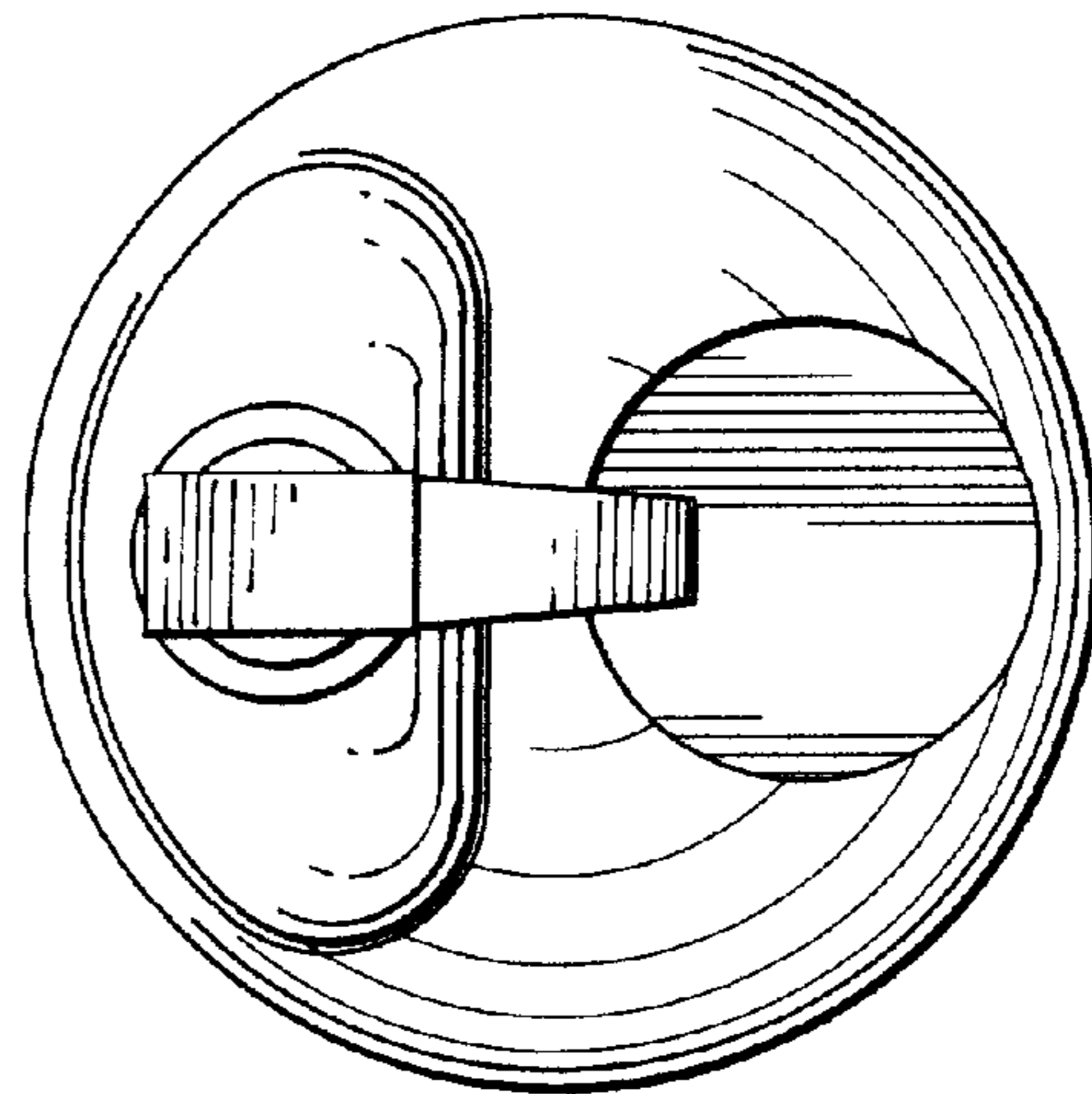


FIG. 5

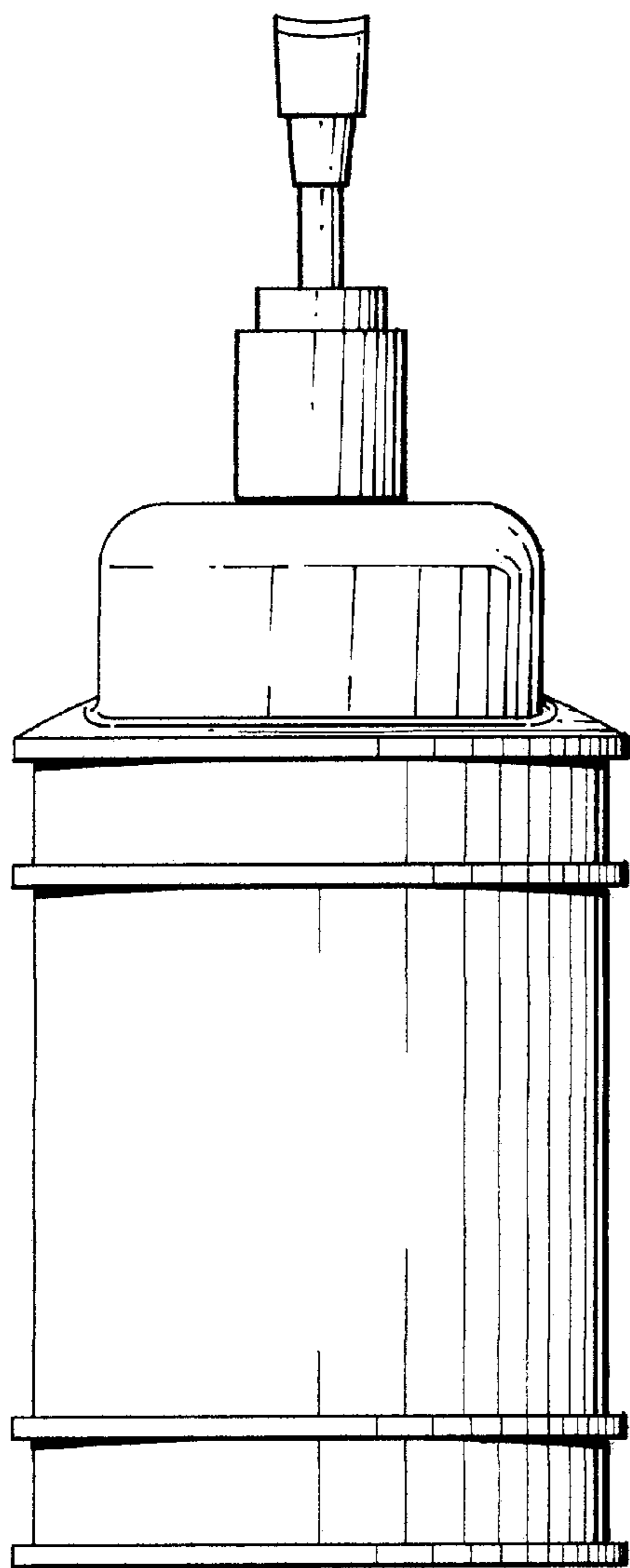


FIG. 3

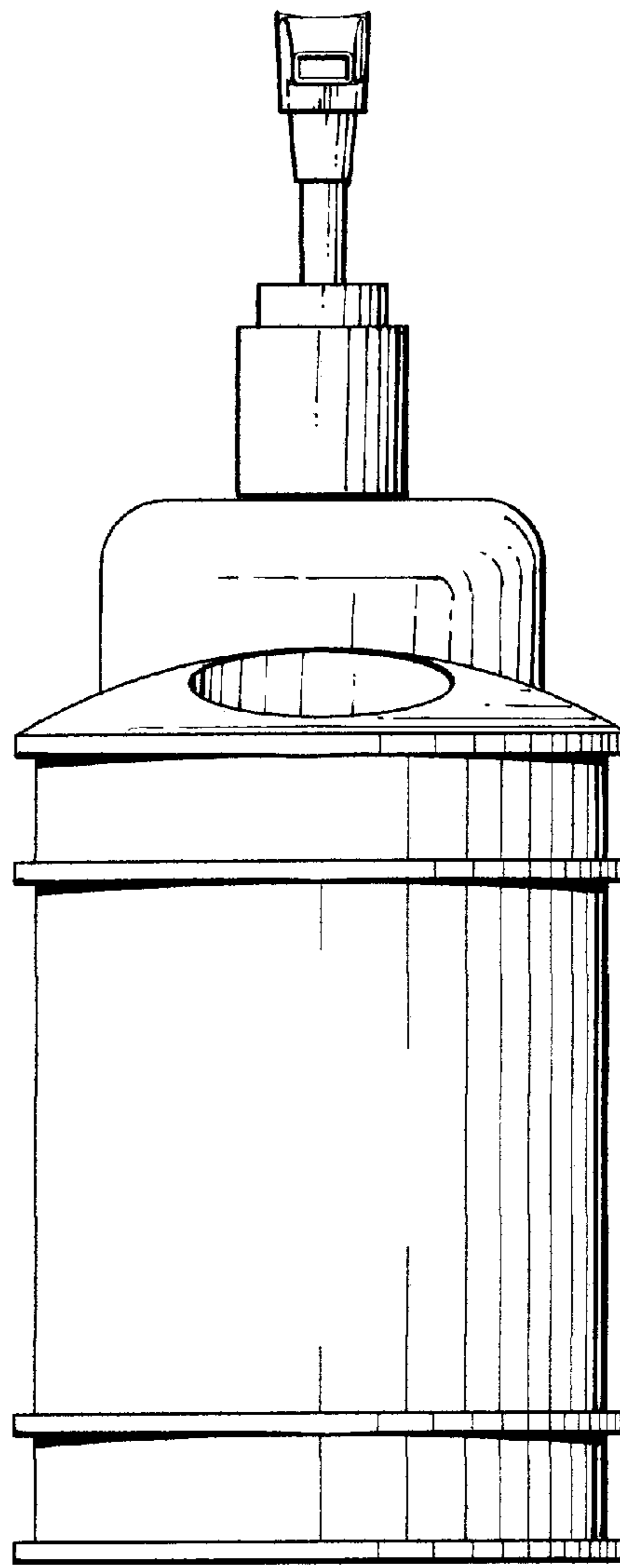


FIG. 4

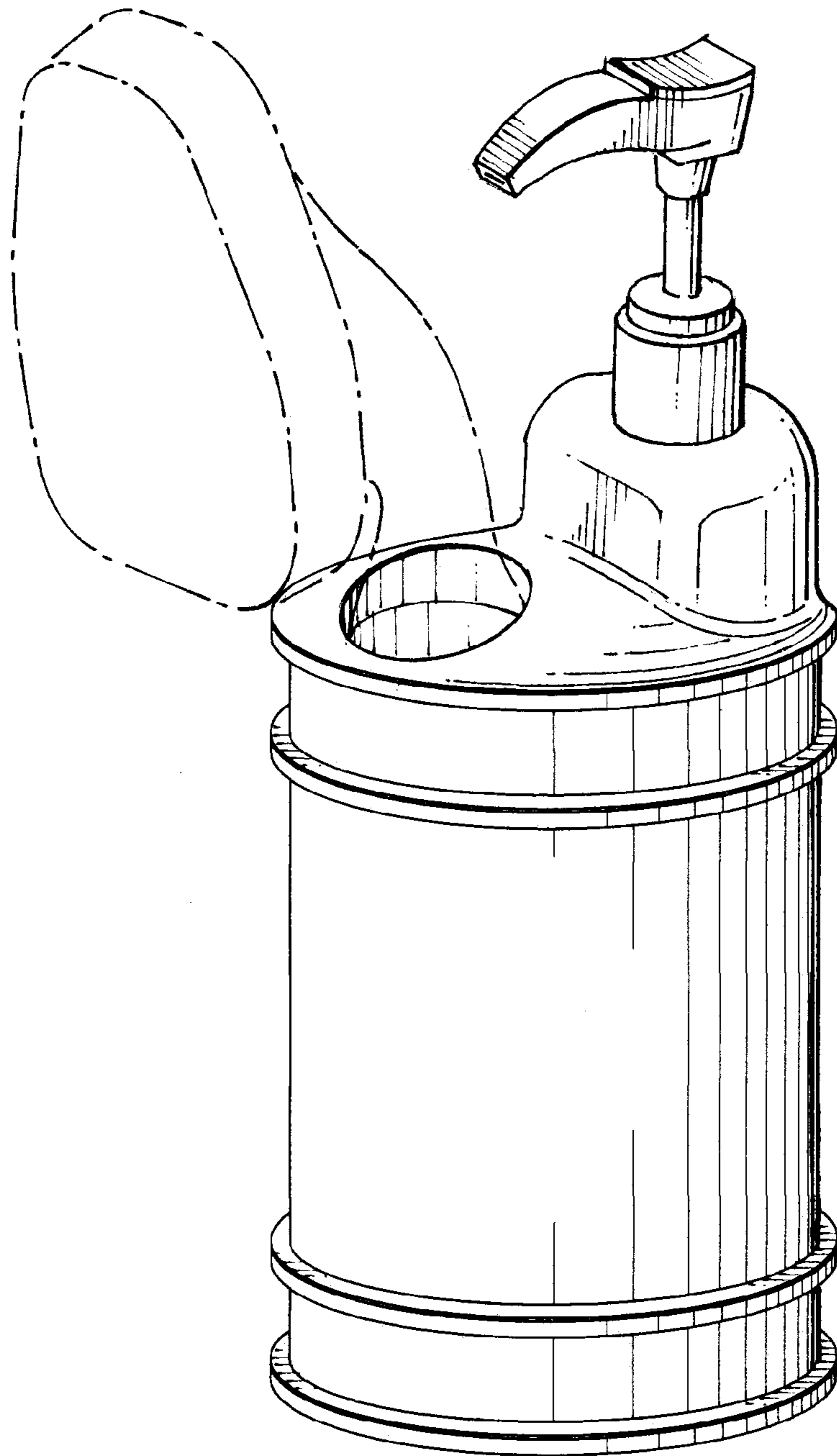


FIG. 6

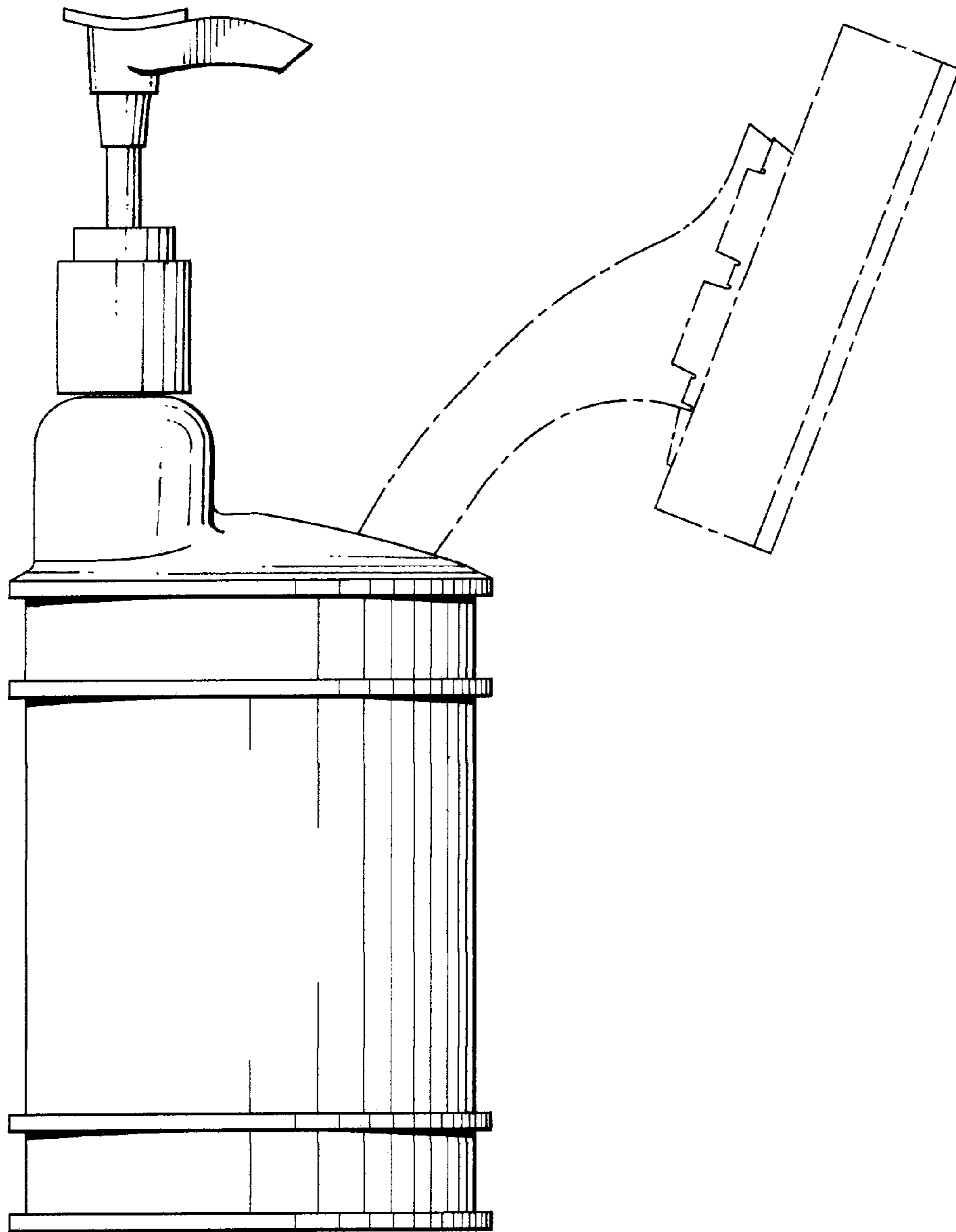


FIG. 7

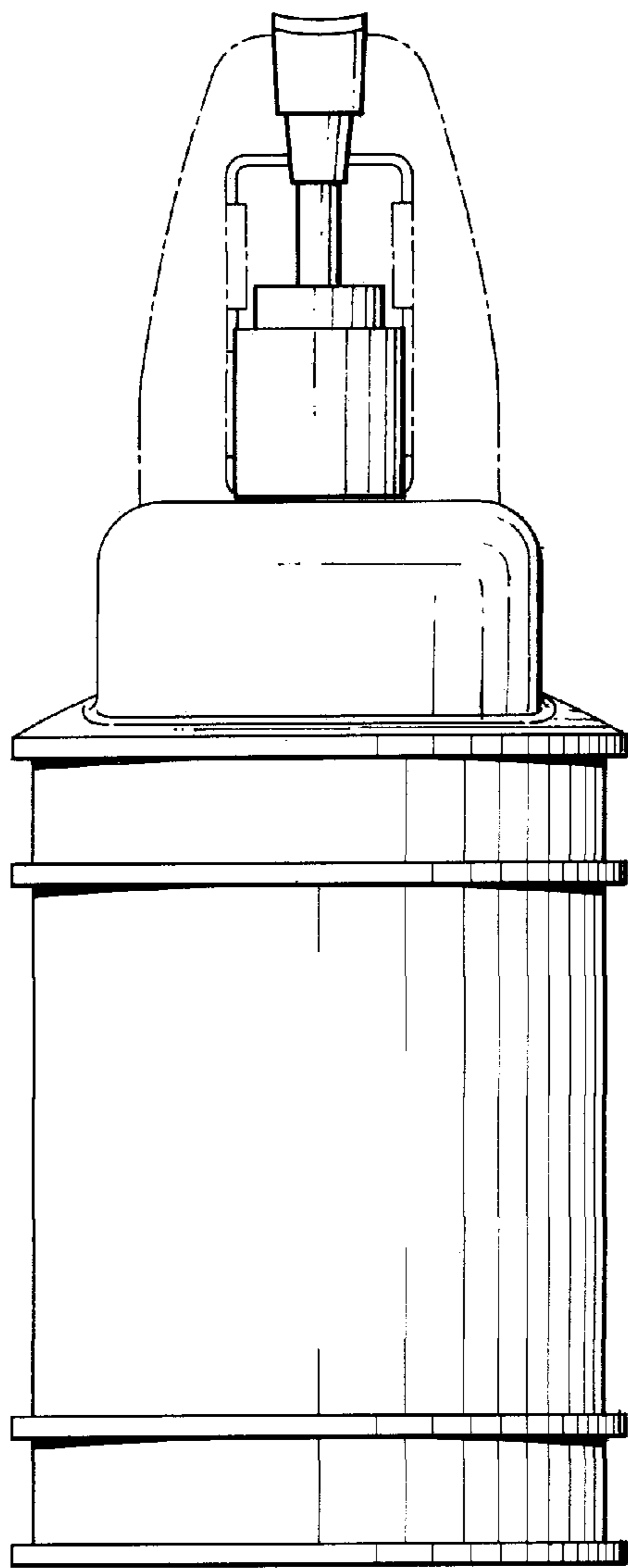


FIG. 8

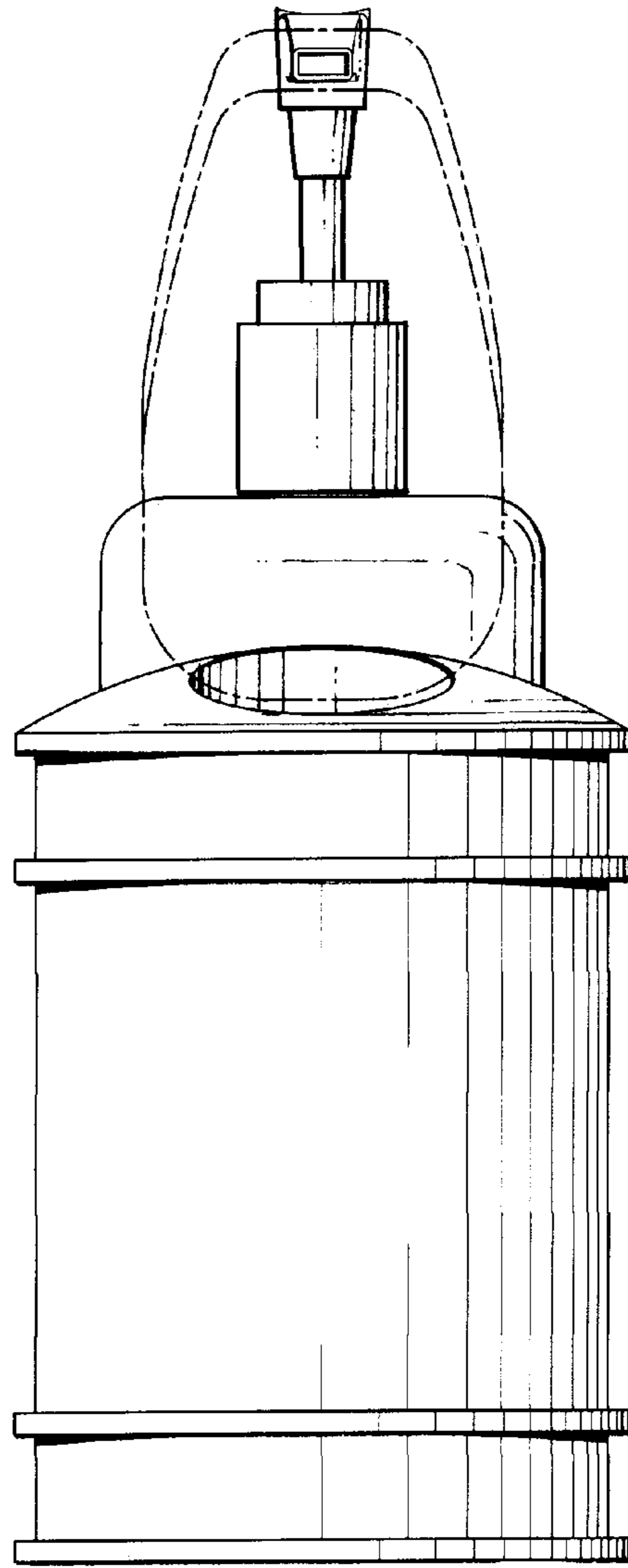


FIG. 9

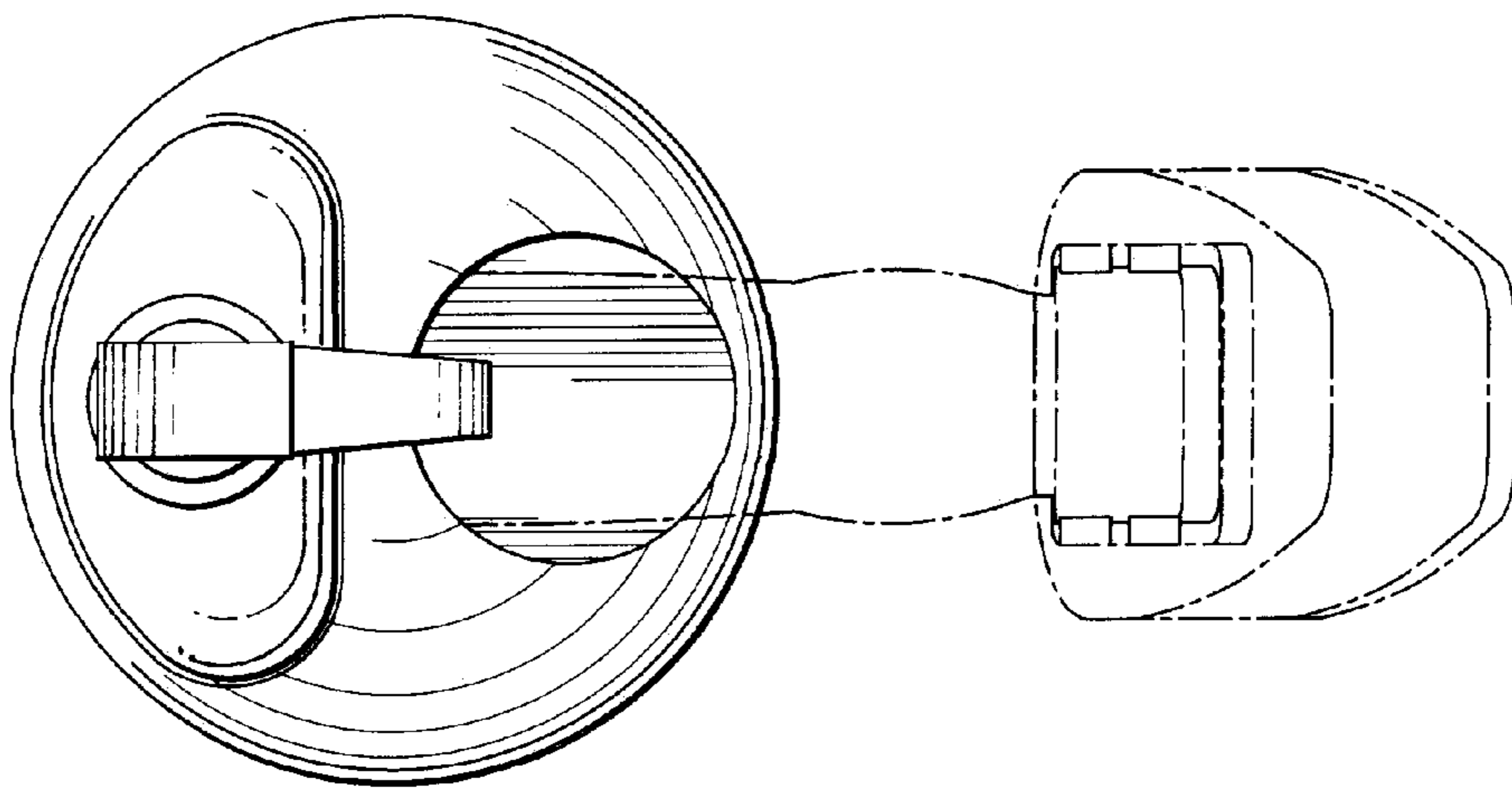


FIG. 10