



US00D714572S

(12) **United States Design Patent**  
**DeChristofaro**

(10) **Patent No.:** **US D714,572 S**

(45) **Date of Patent:** **\*\* Oct. 7, 2014**

(54) **DOCK**

(71) Applicant: **David DeChristofaro Investments, LLC**, Niles, OH (US)

(72) Inventor: **David M. DeChristofaro**, Niles, OH (US)

(73) Assignee: **David DeChristofaro Investments LLC**, Niles, OH (US)

(\*\*) Term: **14 Years**

(21) Appl. No.: **29/483,181**

(22) Filed: **Feb. 26, 2014**

(51) **LOC (10) Cl.** ..... **23-02**

(52) **U.S. Cl.**  
USPC ..... **D6/534; D6/528**

(58) **Field of Classification Search**  
USPC ..... D6/524, 526, 527, 528, 534; 206/208, 206/228, 209, 209.1, 361, 362, 362.1, 206/362.2, 362.3; 211/13.1, 66, 70.6, 211/86.01, 87.01; D7/701, 635, 637  
See application file for complete search history.

(56) **References Cited**

**U.S. PATENT DOCUMENTS**

D389,686 S *	1/1998	Drage	.....	D6/528
D634,139 S *	3/2011	Volk	.....	D6/534
D667,248 S *	9/2012	Lawer	.....	D6/534
D687,246 S *	8/2013	Rodriguez	.....	D6/534
D701,394 S *	3/2014	Lin	.....	D6/534

\* cited by examiner

*Primary Examiner* — Brian N Vinson

(74) *Attorney, Agent, or Firm* — Blank Rome LLP

(57) **CLAIM**

The ornamental design for a dock, as shown and described.

**DESCRIPTION**

FIG. 1 is a perspective view of a dock of the present design, the dock comprising four openings: a first opening toward the left of the figure, a second opening toward the top of the figure, a third opening toward the right of the figure, and a fourth opening toward the bottom of the figure.

FIG. 2 is a front view of the dock of FIG. 1, the left side view, the rear view, and the right side view being identical thereto. FIG. 3 is a top view of the dock of FIG. 1.

FIG. 4 is a perspective view of the dock of FIG. 1, showing, in dashed lines, a dispenser in the first opening, an electric toothbrush cover in the second opening, a cup dispenser in the third opening, a toothbrush case in the fourth opening, and a dental floss holder mounted to the front of the dock.

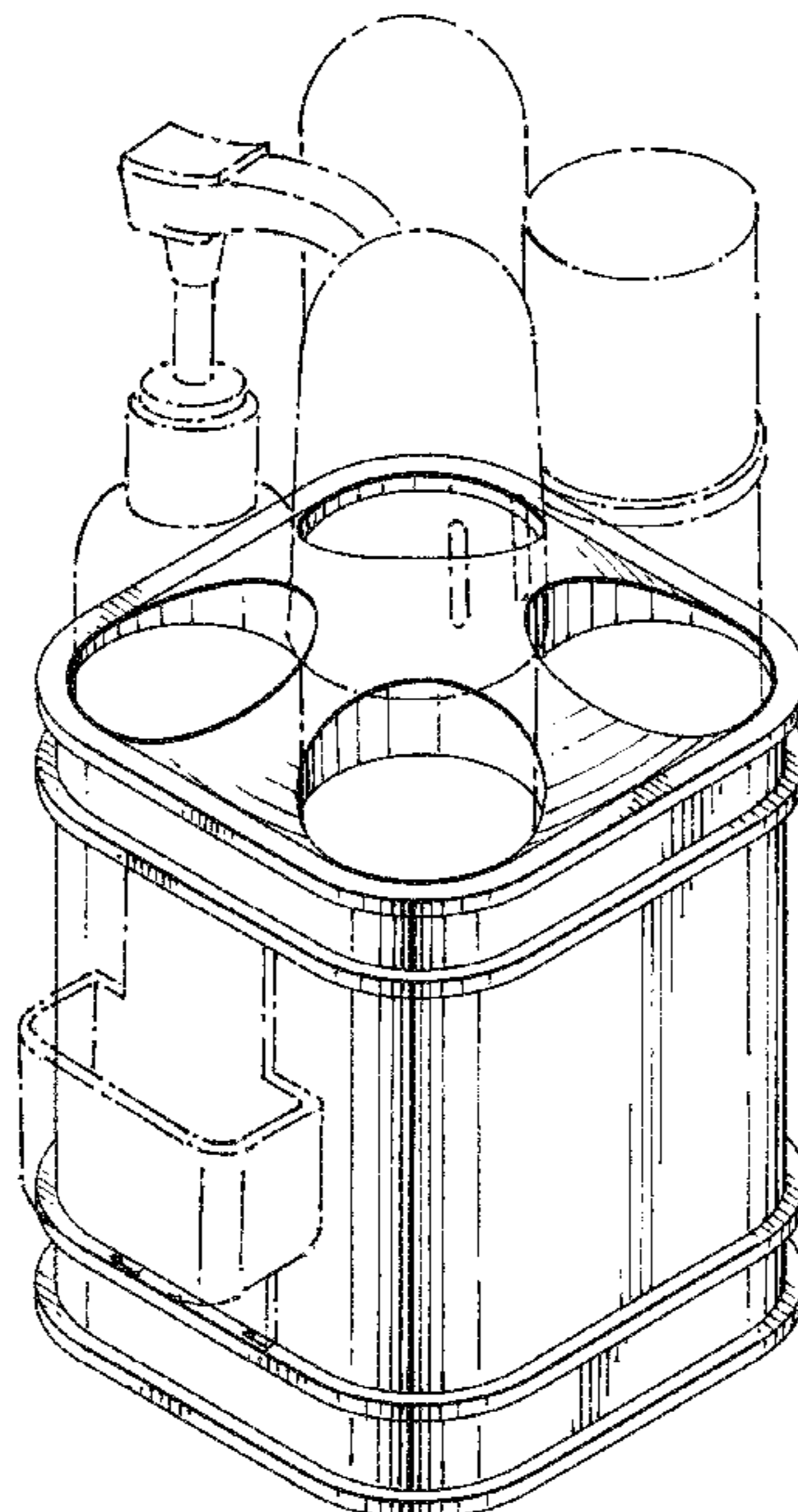
FIG. 5 is a right side view of the dock of FIG. 1, showing, in dashed, lines the dispenser in the first opening, the electric toothbrush cover in the second opening, the cup dispenser in the third opening, the toothbrush case in the fourth opening, and the dental floss holder mounted to the front of the dock.

FIG. 6 is a left side view of the dock of FIG. 1, showing, in dashed lines, the dispenser in the first opening, the electric toothbrush cover in the second opening, the cup dispenser in the third opening, the toothbrush case in the fourth opening, and the dental floss holder mounted to the front of the dock; and,

FIG. 7 is a top view of the dock of FIG. 1, showing, in dashed lines, the dispenser in the first opening, the electric toothbrush cover in the second opening, the cup dispenser in the third opening, the toothbrush case in the fourth opening, and the dental floss holder mounted to the front of the dock.

The dashed lines shown in the figures are for illustration only and do not form part of the claimed design.

**1 Claim, 6 Drawing Sheets**



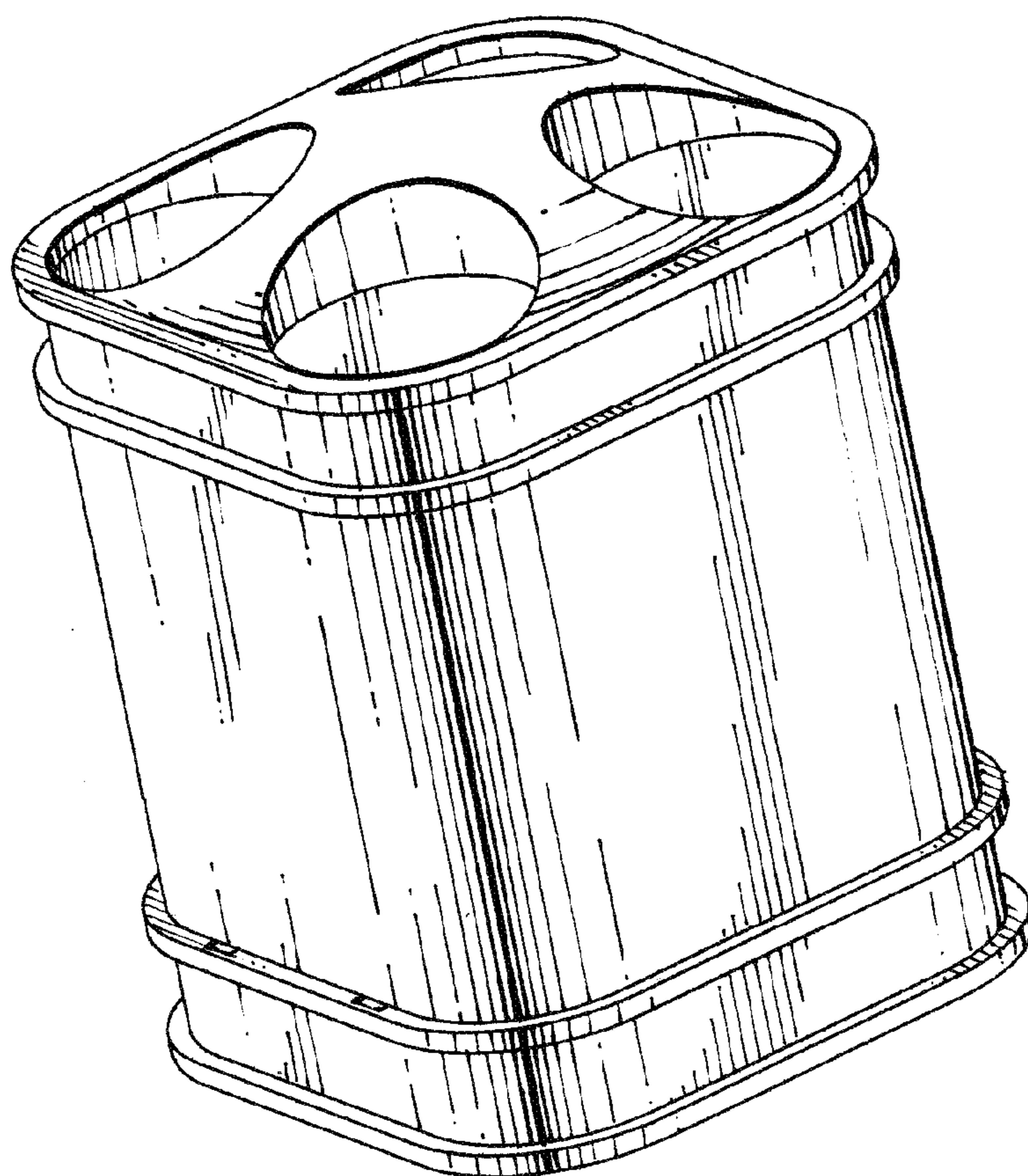


FIG. 1

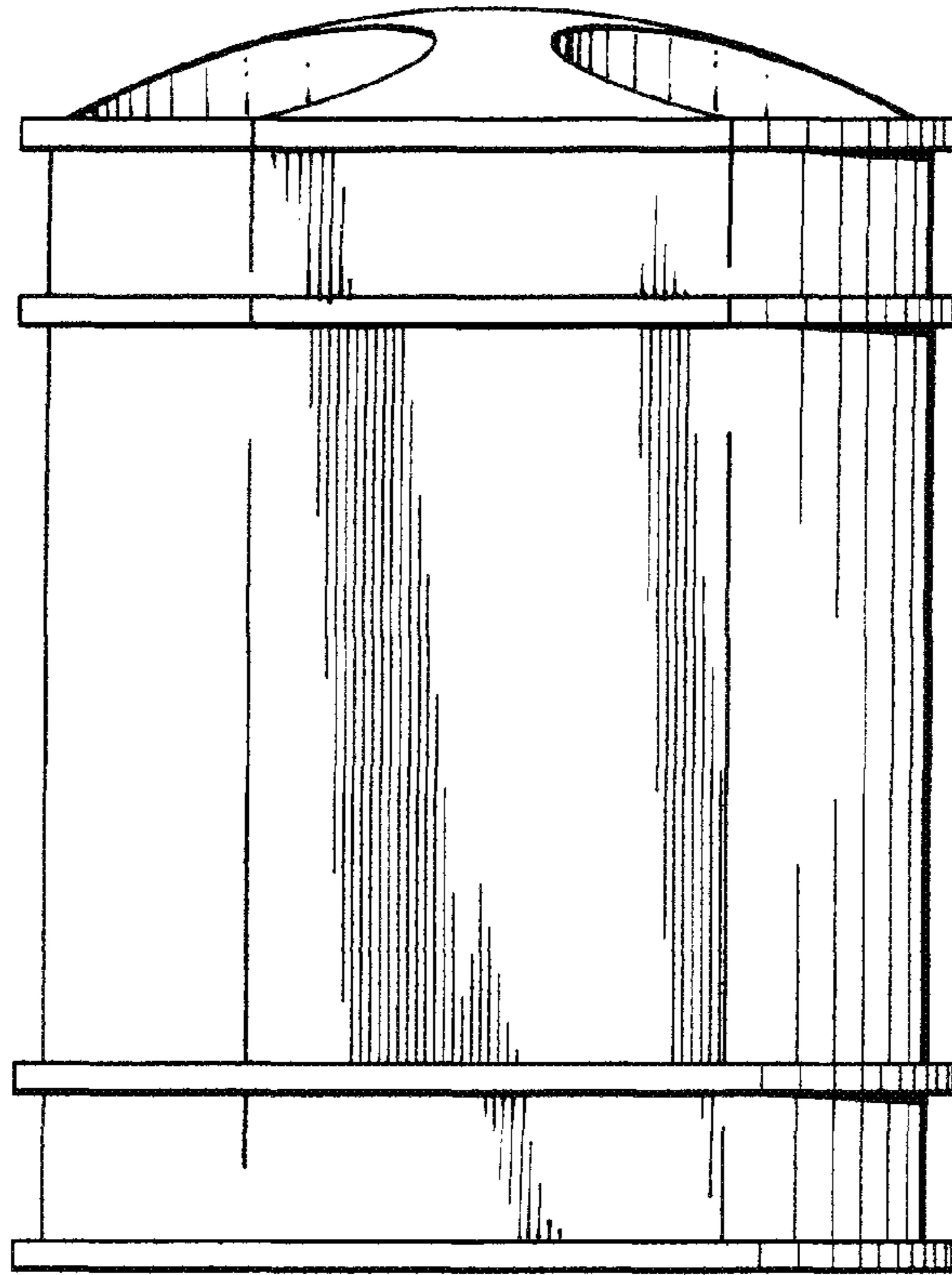


FIG. 2

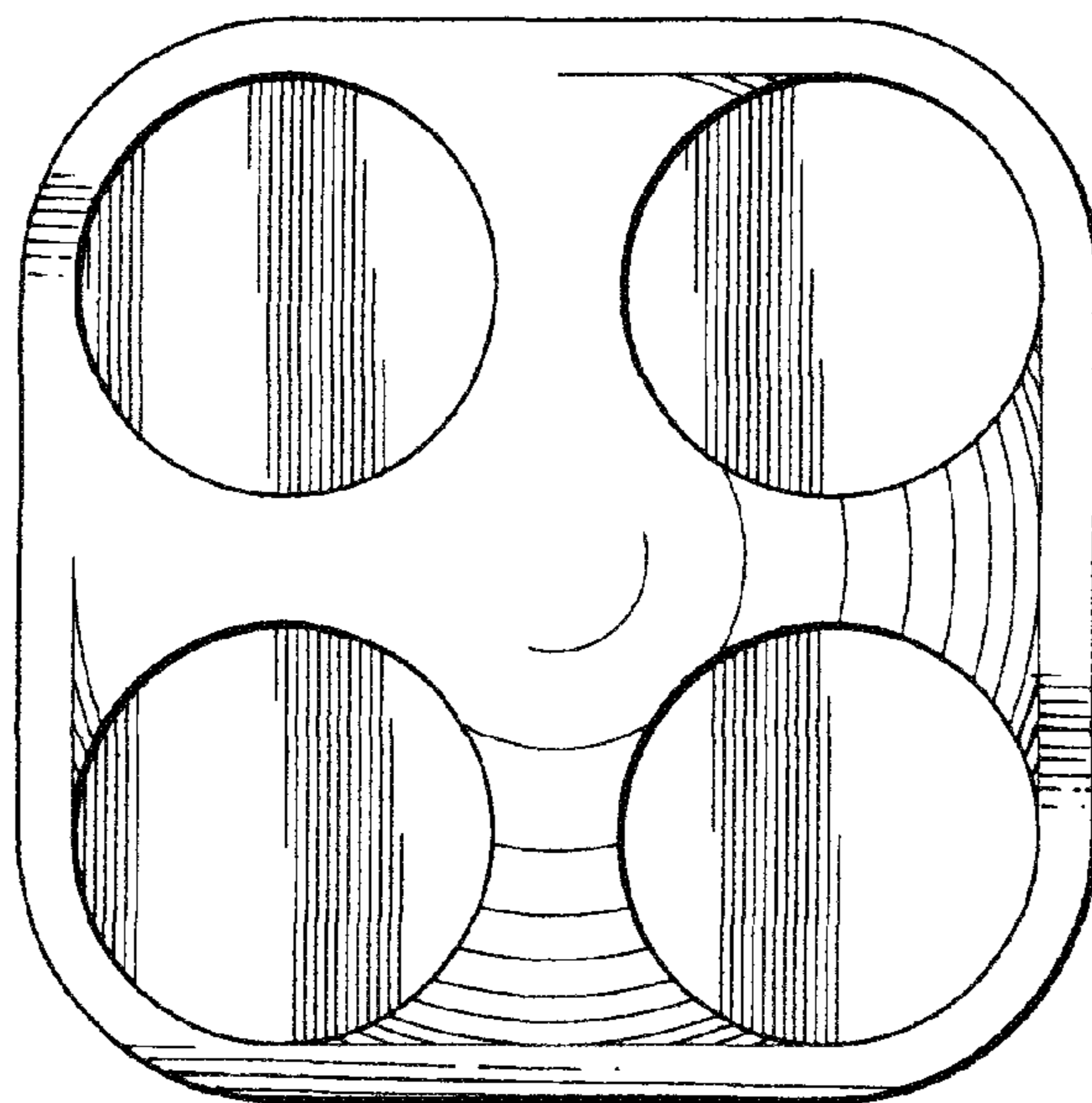


FIG. 3



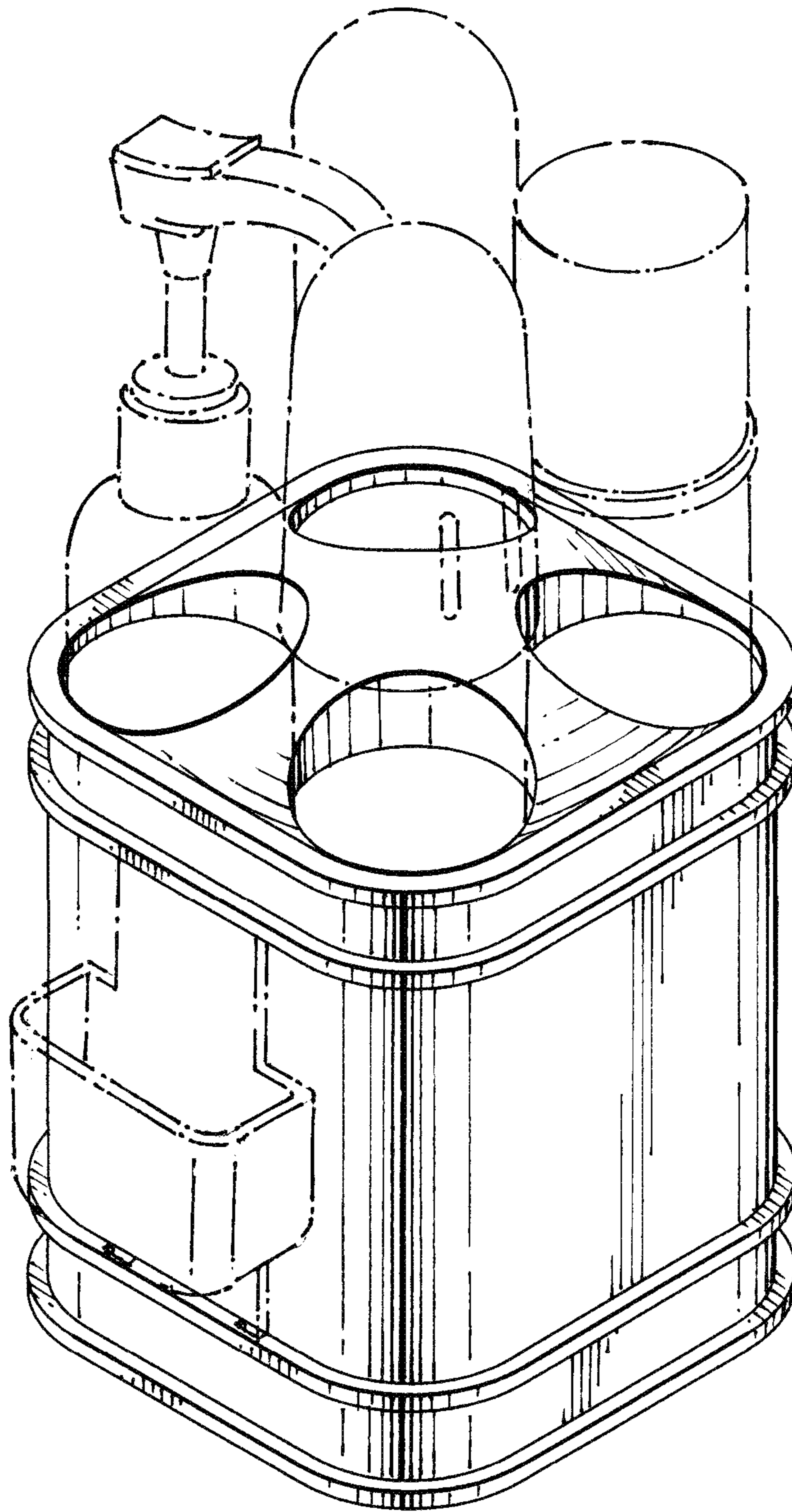


FIG. 4

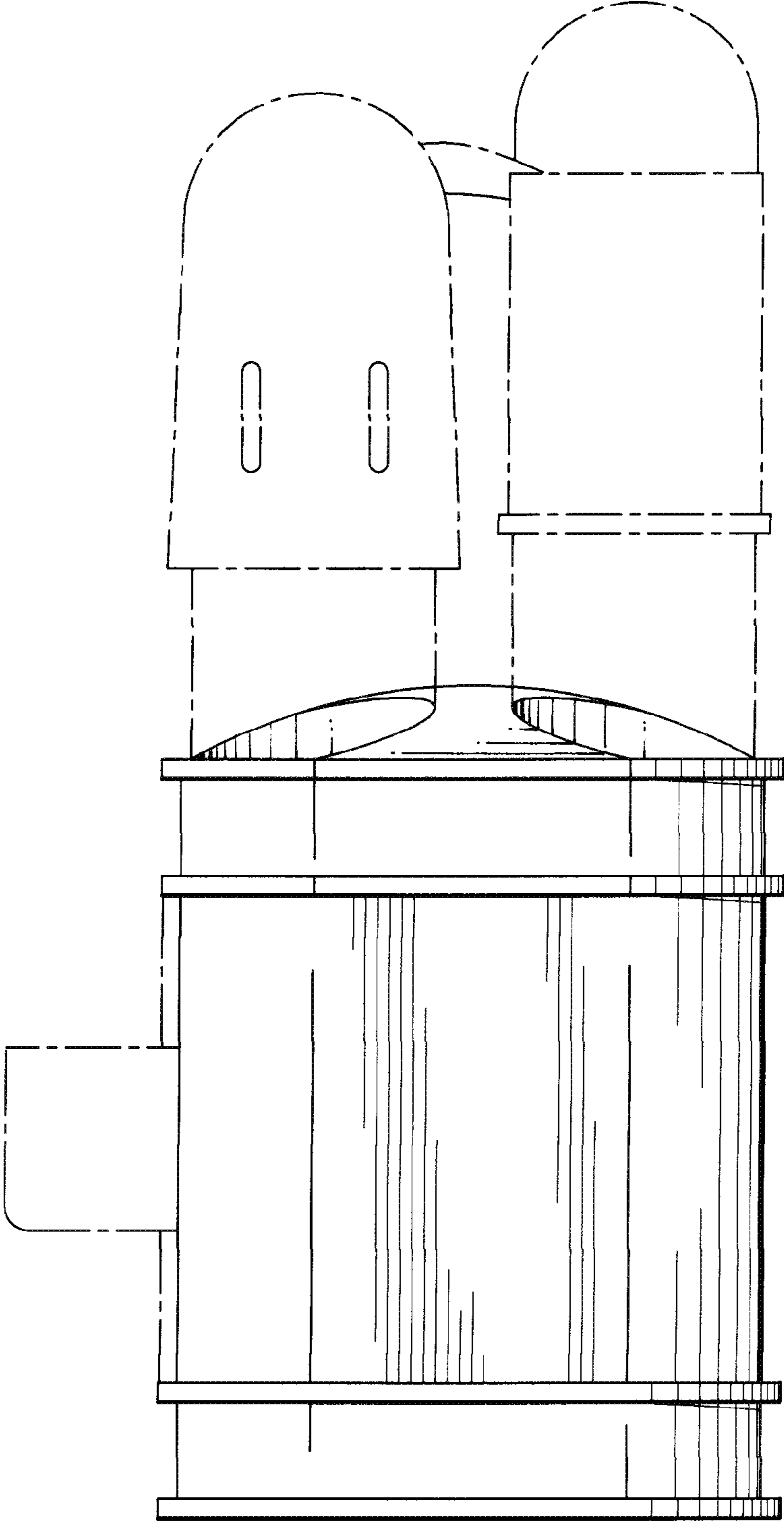


FIG. 5

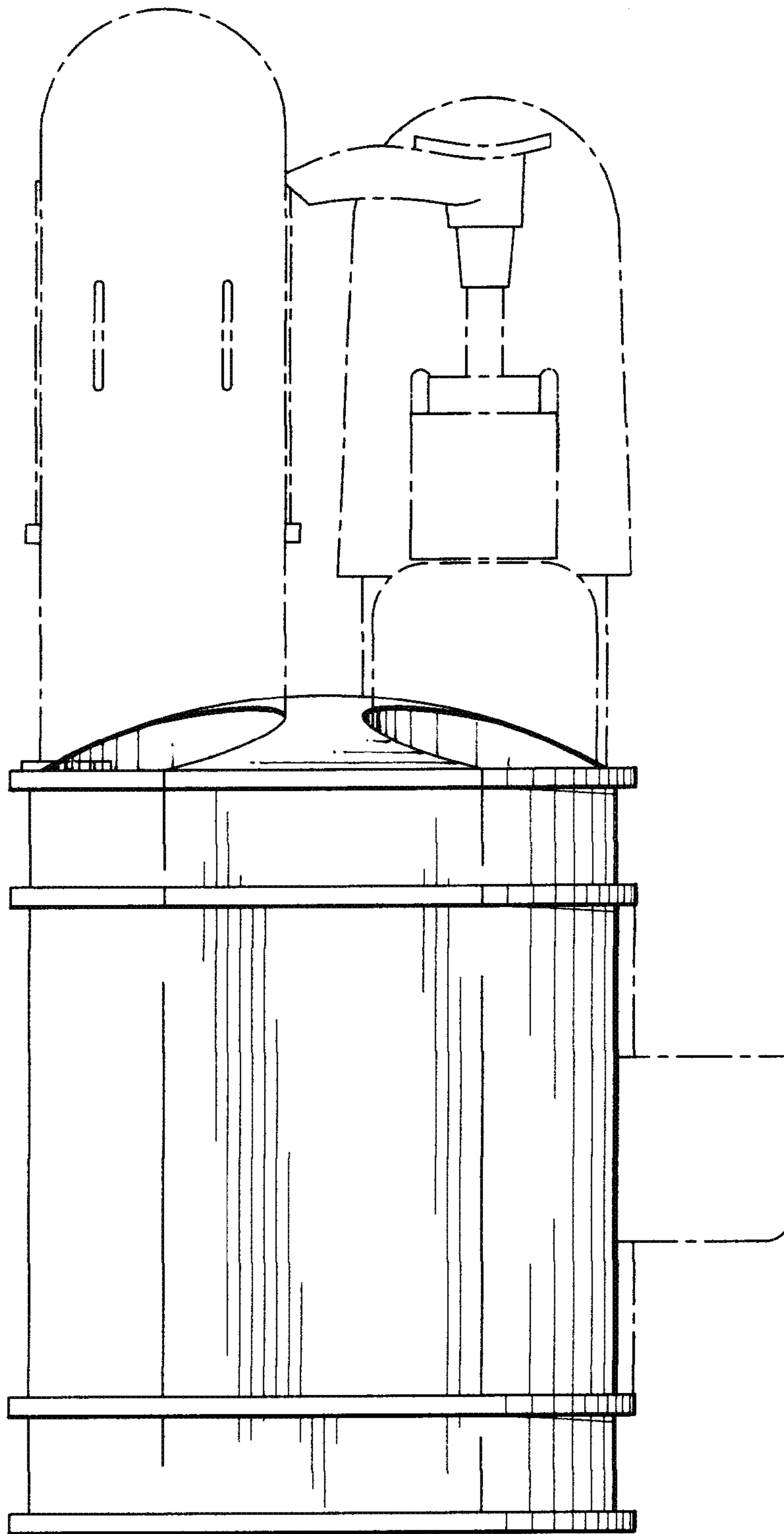


FIG. 6

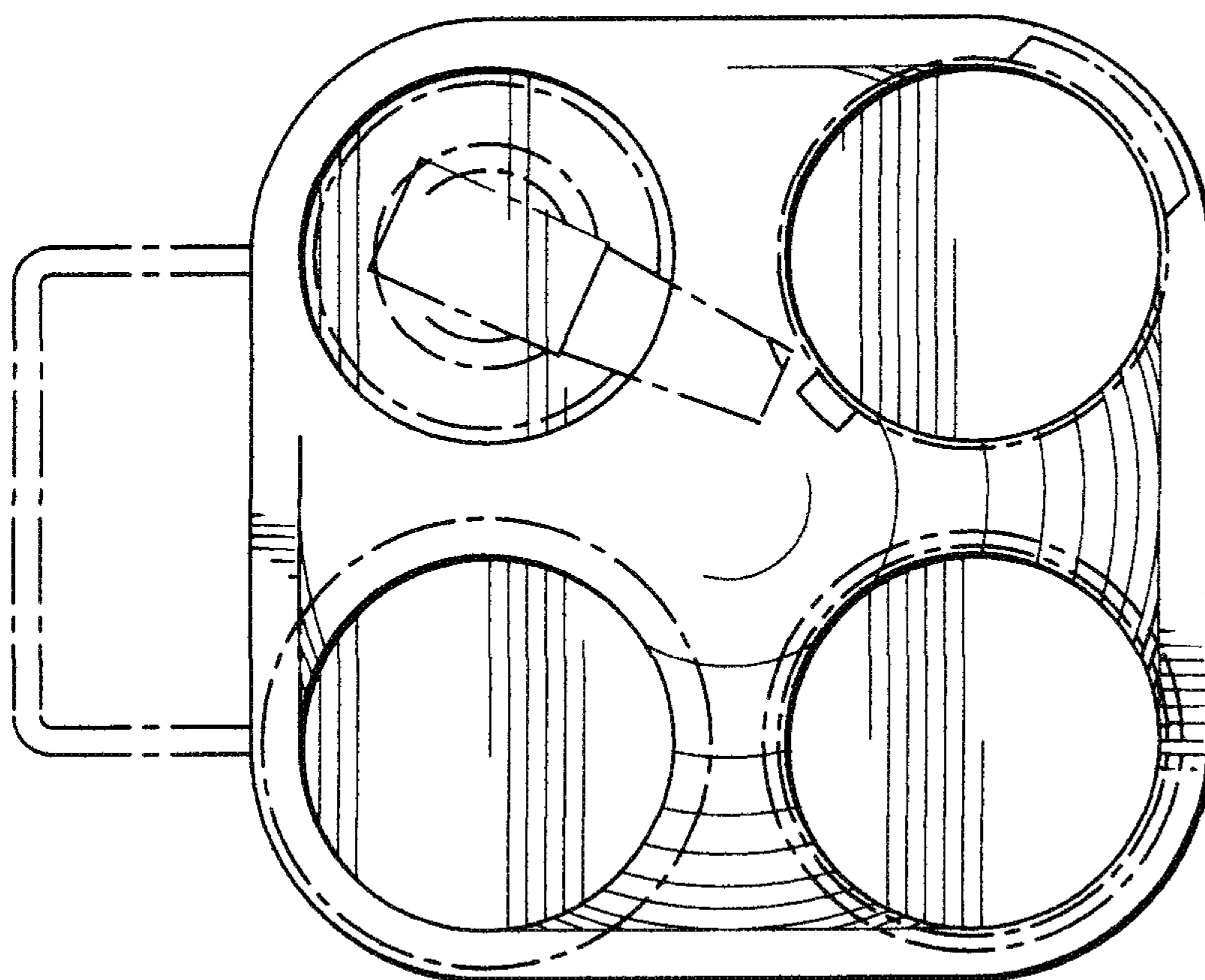


FIG. 7