



US00D714571S

(12) **United States Design Patent**
Walker

(10) **Patent No.:** **US D714,571 S**
(45) **Date of Patent:** **** Oct. 7, 2014**

- (54) **SHOWER CADDY**
- (71) Applicant: **Zenith Products Corporation**, New Castle, DE (US)
- (72) Inventor: **David L. Walker**, Chester, PA (US)
- (73) Assignee: **Zenith Products Corporation**, New Castle, DE (US)
- (**) Term: **14 Years**
- (21) Appl. No.: **29/487,224**
- (22) Filed: **Apr. 7, 2014**
- (51) **LOC (10) Cl.** **23-02**
- (52) **U.S. Cl.**
USPC **D6/525**
- (58) **Field of Classification Search**
USPC D6/524, 525, 566, 536, 540; 211/13.1, 211/74, 71.01, 86.01, 75, 88.01, 90.01, 211/90.03, 106, 126.1, 119, 181.1, 133.5, 211/134
See application file for complete search history.

D564,816 S	3/2008	Snider	
D566,439 S	4/2008	Dretzka	
D568,657 S	5/2008	Snider	
D572,061 S	7/2008	Snider	
D572,062 S *	7/2008	Snider D6/525
D595,076 S	6/2009	Snider	
D603,198 S	11/2009	Guindi	
D615,333 S	5/2010	Snell	
D617,128 S	6/2010	Guindi	
D628,000 S	11/2010	Lindo	
D630,035 S	1/2011	Snider	
D632,513 S	2/2011	Cittadino	
D632,514 S	2/2011	Didehvar et al.	
D640,488 S	6/2011	Didehvar et al.	
D641,191 S *	7/2011	Walker D6/525
D643,236 S	8/2011	Cittadino	
D644,050 S	8/2011	Cittadino	
D647,746 S	11/2011	Tawil	
D647,747 S	11/2011	Guindi	

(Continued)

Primary Examiner — Brian N Vinson
(74) *Attorney, Agent, or Firm* — Panitch Schwarze Belisario & Nadel LLP

(57) **CLAIM**
The ornamental design for a shower caddy, as shown and described.

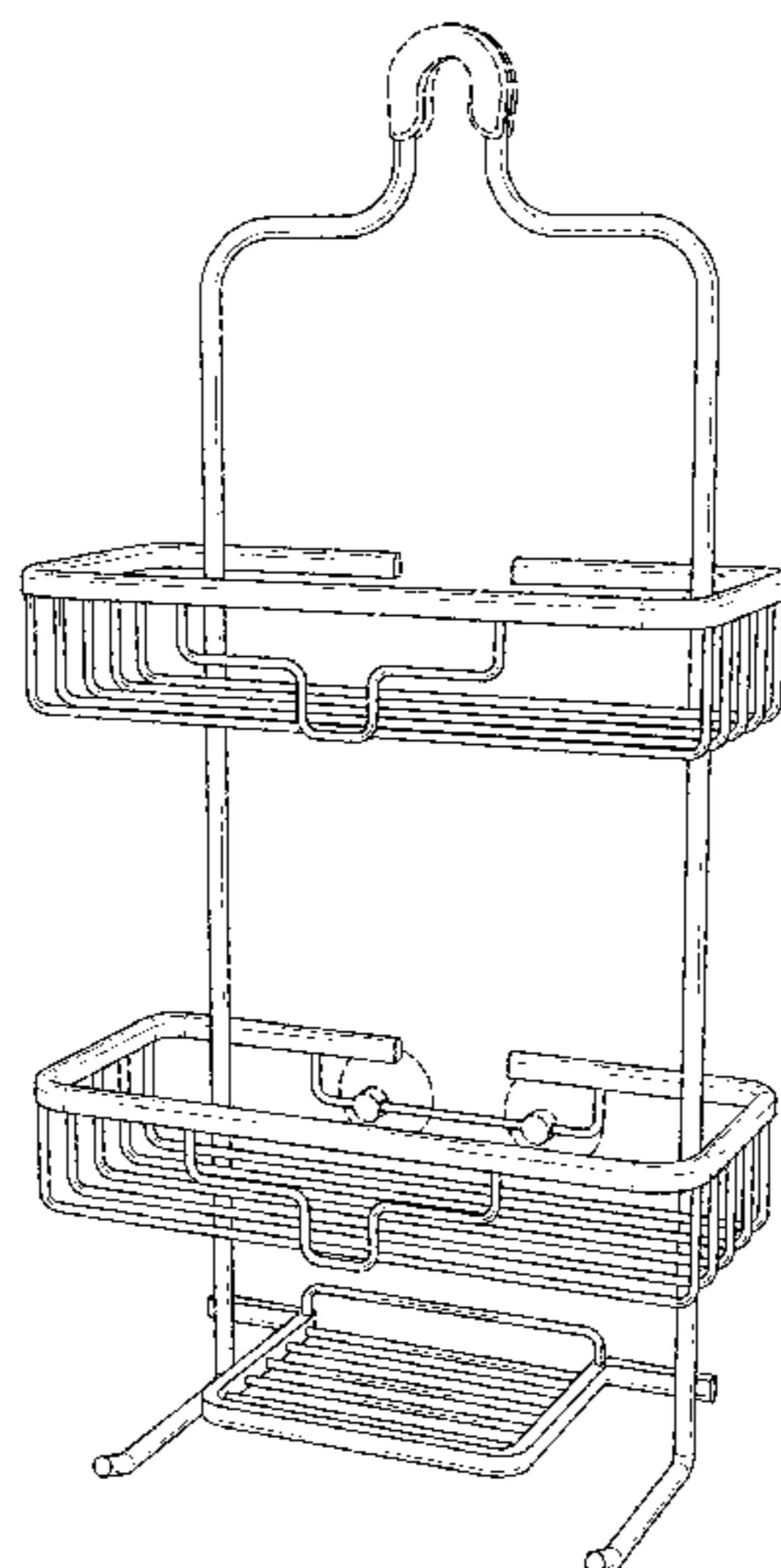
(56) **References Cited**
U.S. PATENT DOCUMENTS

D378,556 S	3/1997	Munoz
D397,567 S	9/1998	Hofman
D400,745 S	11/1998	France
D446,670 S	8/2001	Emery et al.
6,520,351 B1	2/2003	Zadro
D473,411 S	4/2003	Walker
D477,947 S	8/2003	Snell
D479,073 S	9/2003	Snell
D479,074 S	9/2003	Snell
D496,549 S	9/2004	Snell
D512,861 S	12/2005	Rosen
D552,391 S	10/2007	Rosen
D552,393 S	10/2007	Rosen
D557,050 S	12/2007	Dretzka
D564,271 S	3/2008	Snider

DESCRIPTION

FIG. 1 is a front perspective view of a shower caddy in accordance with my new design;
FIG. 2 is a front elevational view thereof;
FIG. 3 is a left side elevational view thereof;
FIG. 4 is a right side elevational view thereof;
FIG. 5 is a top plan view thereof;
FIG. 6 is a bottom plan view thereof; and,
FIG. 7 is a rear elevational view thereof.
The broken lines, illustrating suction cups and rear bumpers, are directed to environment, are for illustrative purposes only and form no part of the claimed design.

1 Claim, 5 Drawing Sheets



(56)

References Cited

U.S. PATENT DOCUMENTS

D677,089 S	3/2013	Tawil	D698,574 S	2/2014	Tawil	
D677,956 S	3/2013	Tawil	D698,576 S *	2/2014	Tawil	D6/525
8,573,416 B2	11/2013	Didehvar et al.	D698,577 S	2/2014	Tawil	
D694,548 S *	12/2013	Snell	2012/0091088 A1	4/2012	Didehvar et al.	
			2013/0319959 A1	12/2013	Didehvar et al.	

* cited by examiner

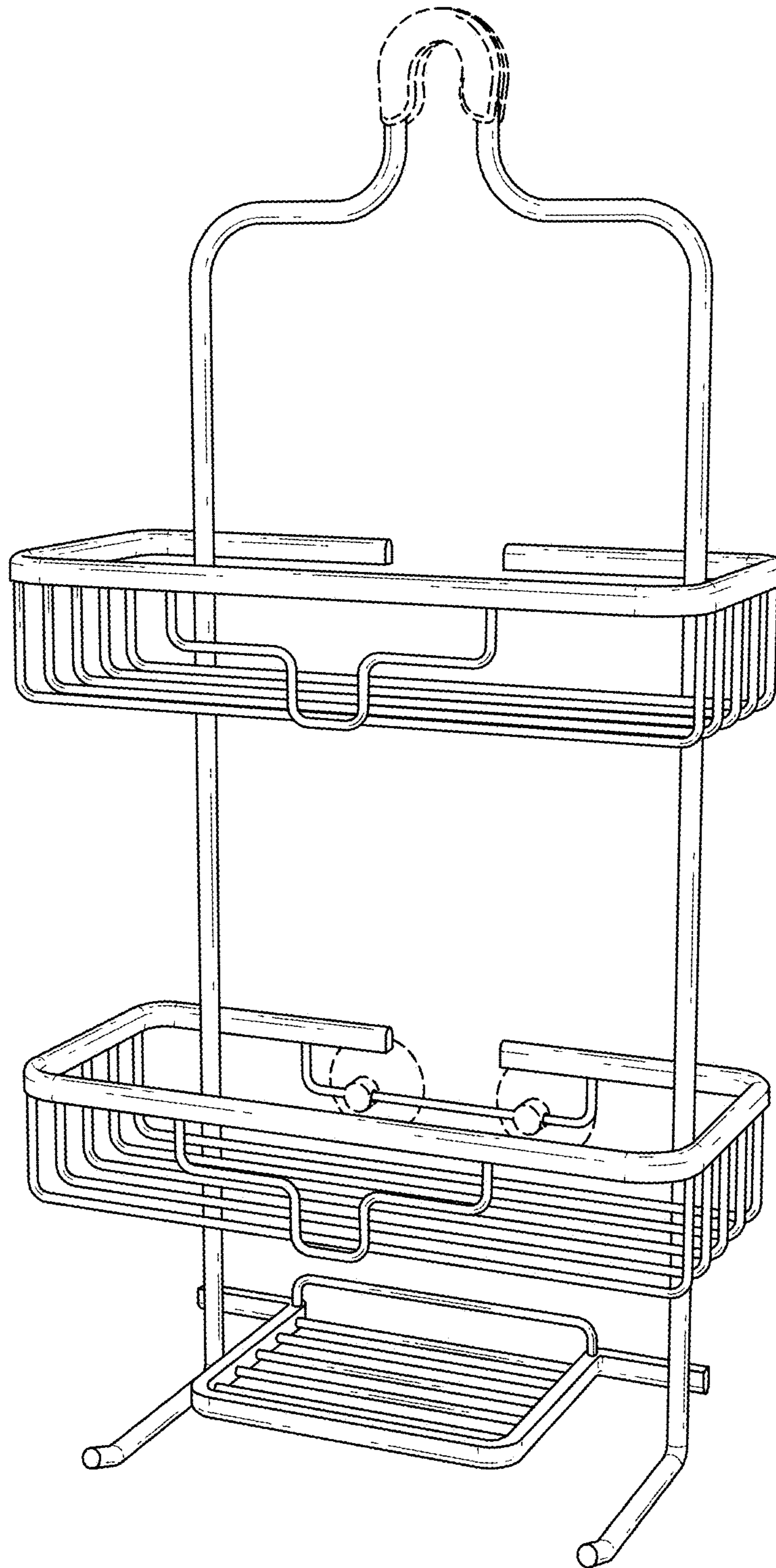


Fig. 1

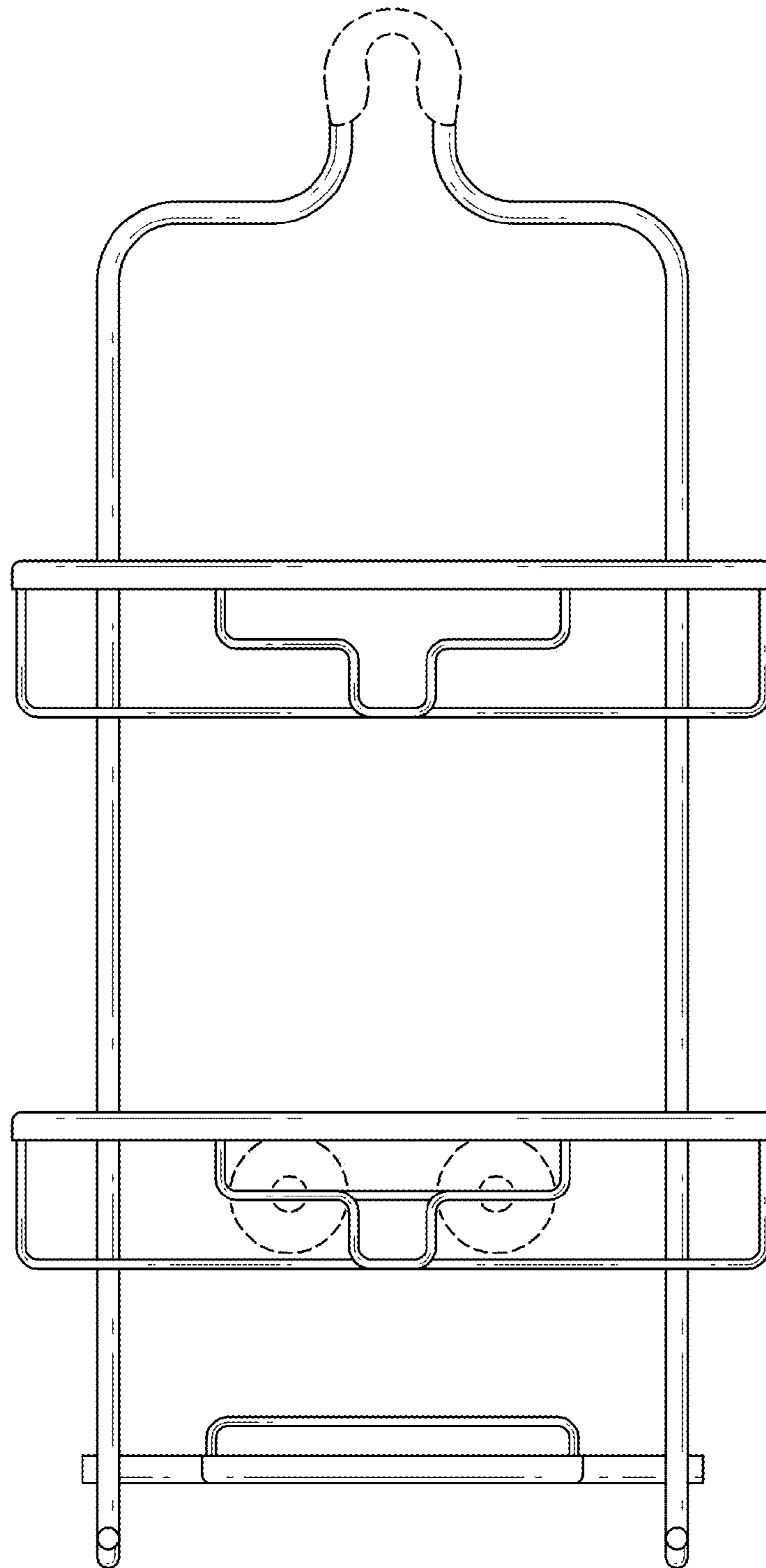


Fig. 2

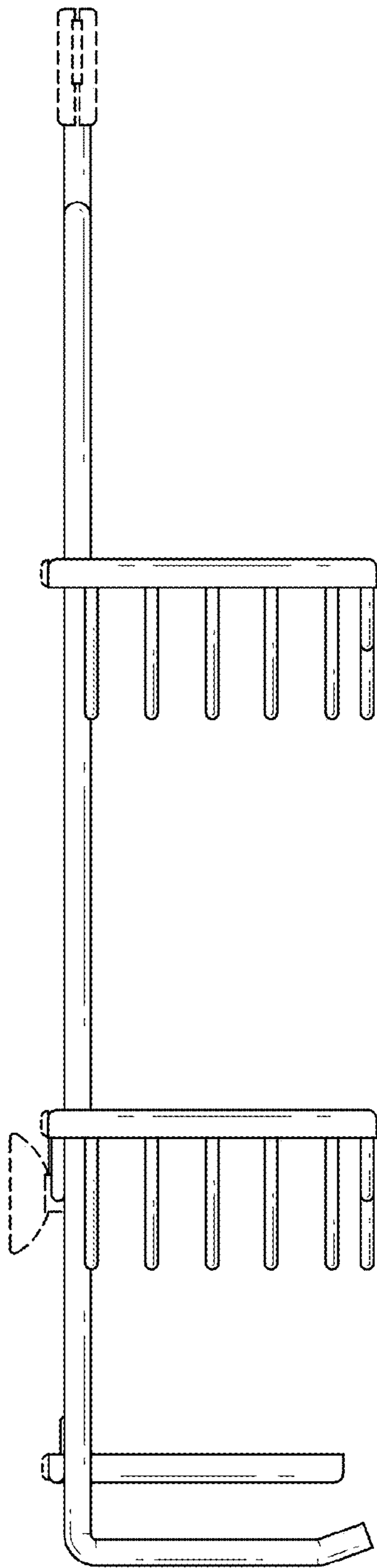


Fig. 3

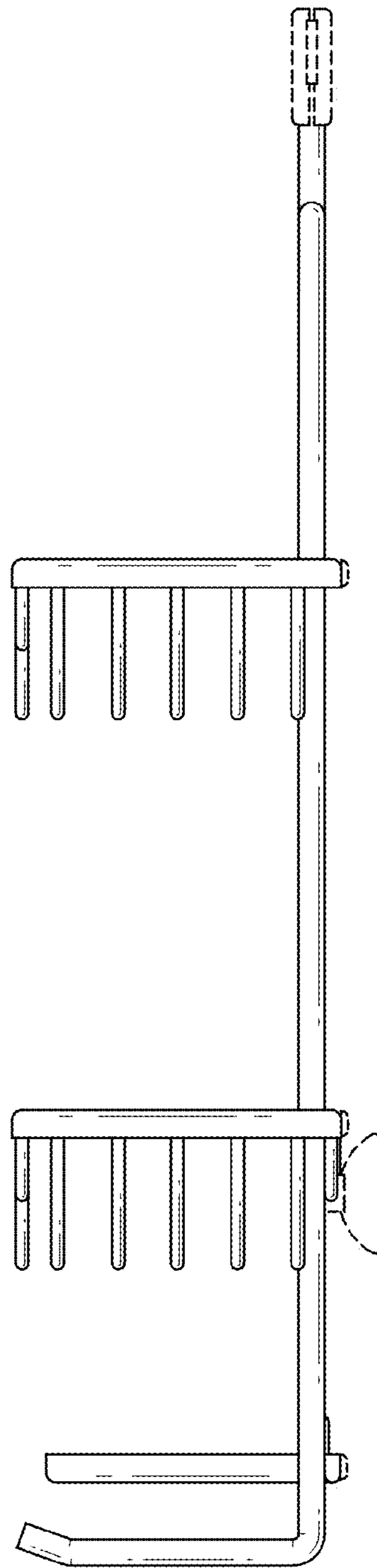


Fig. 4

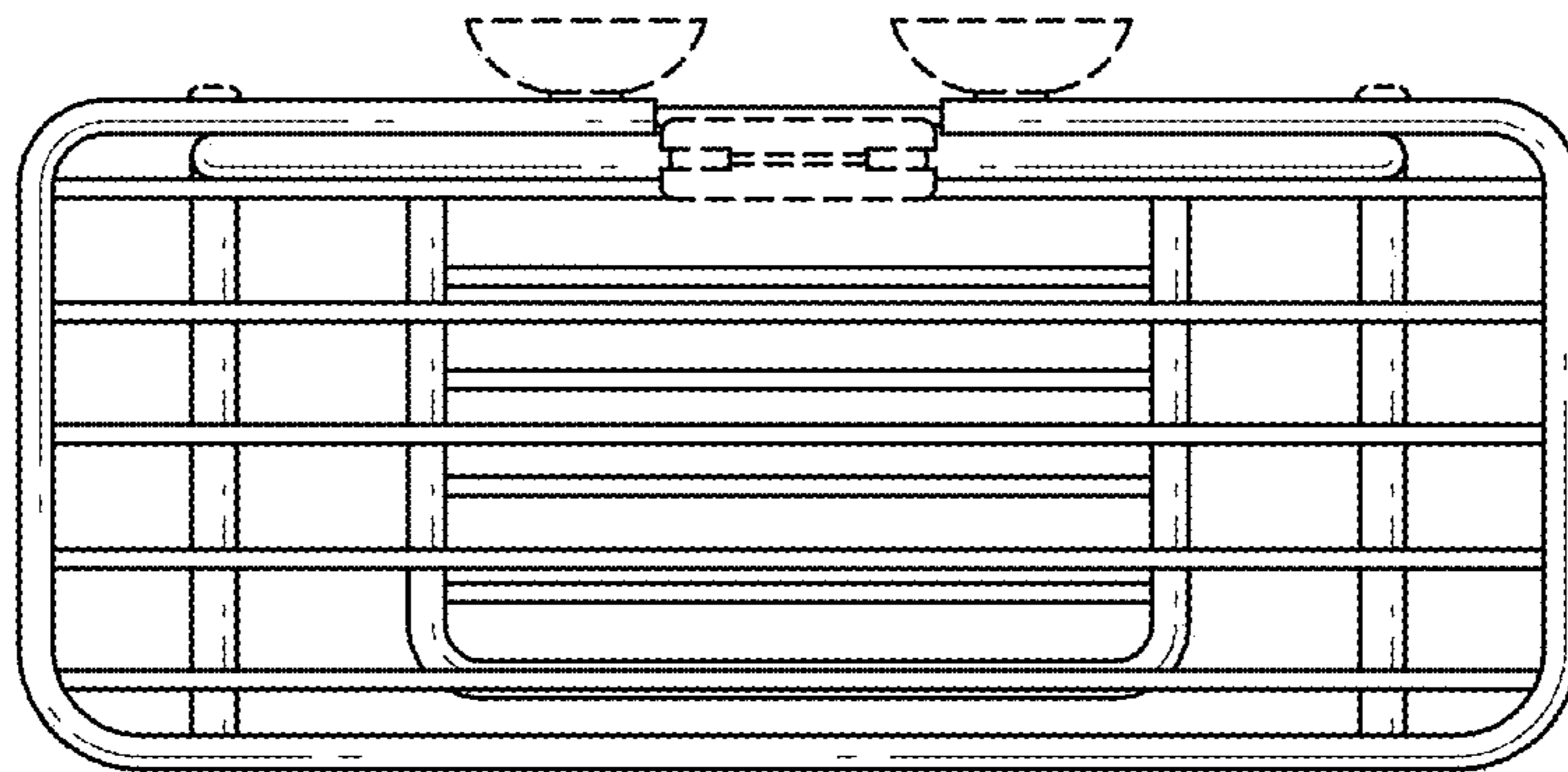


Fig. 5

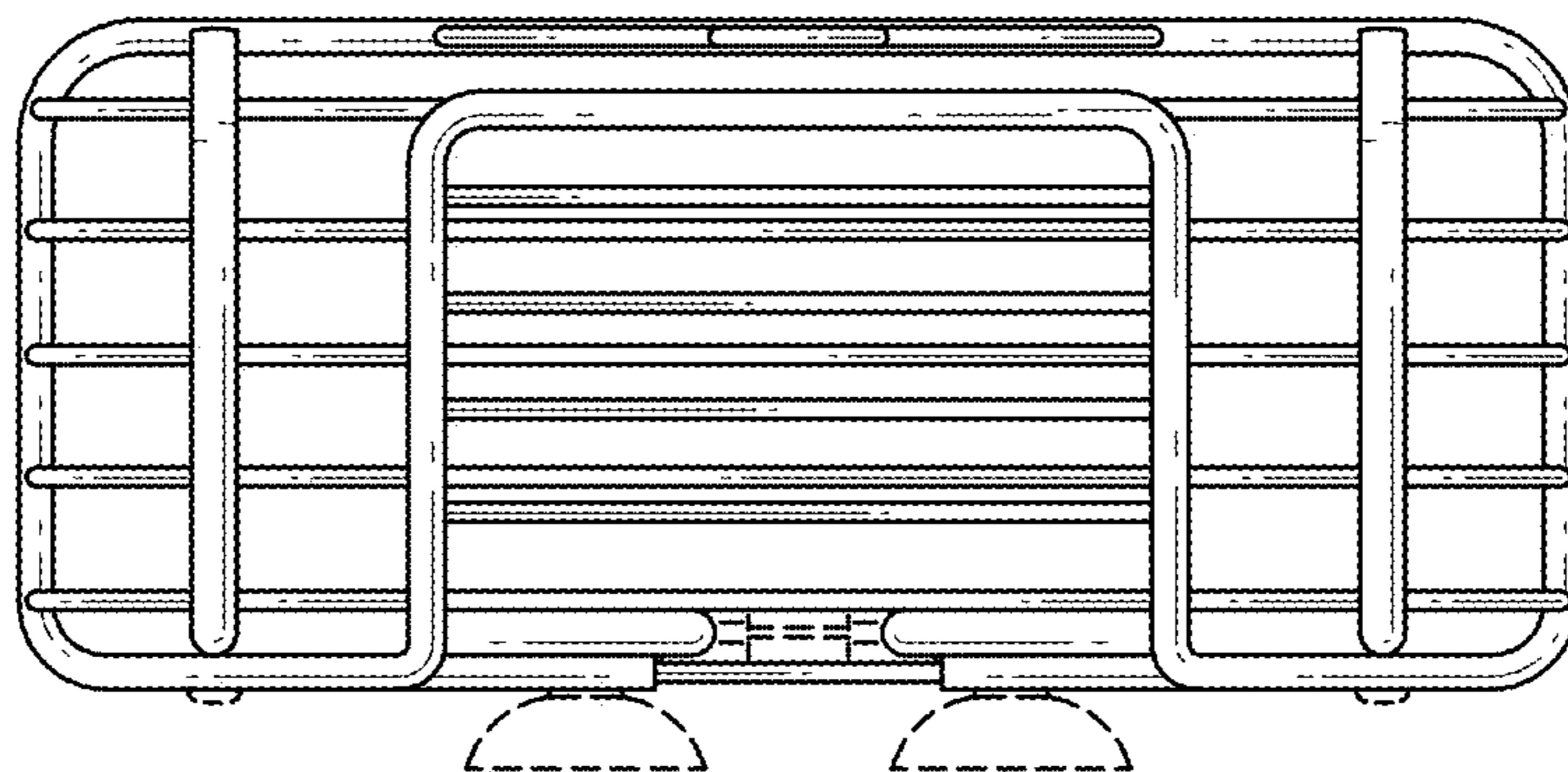


Fig. 6

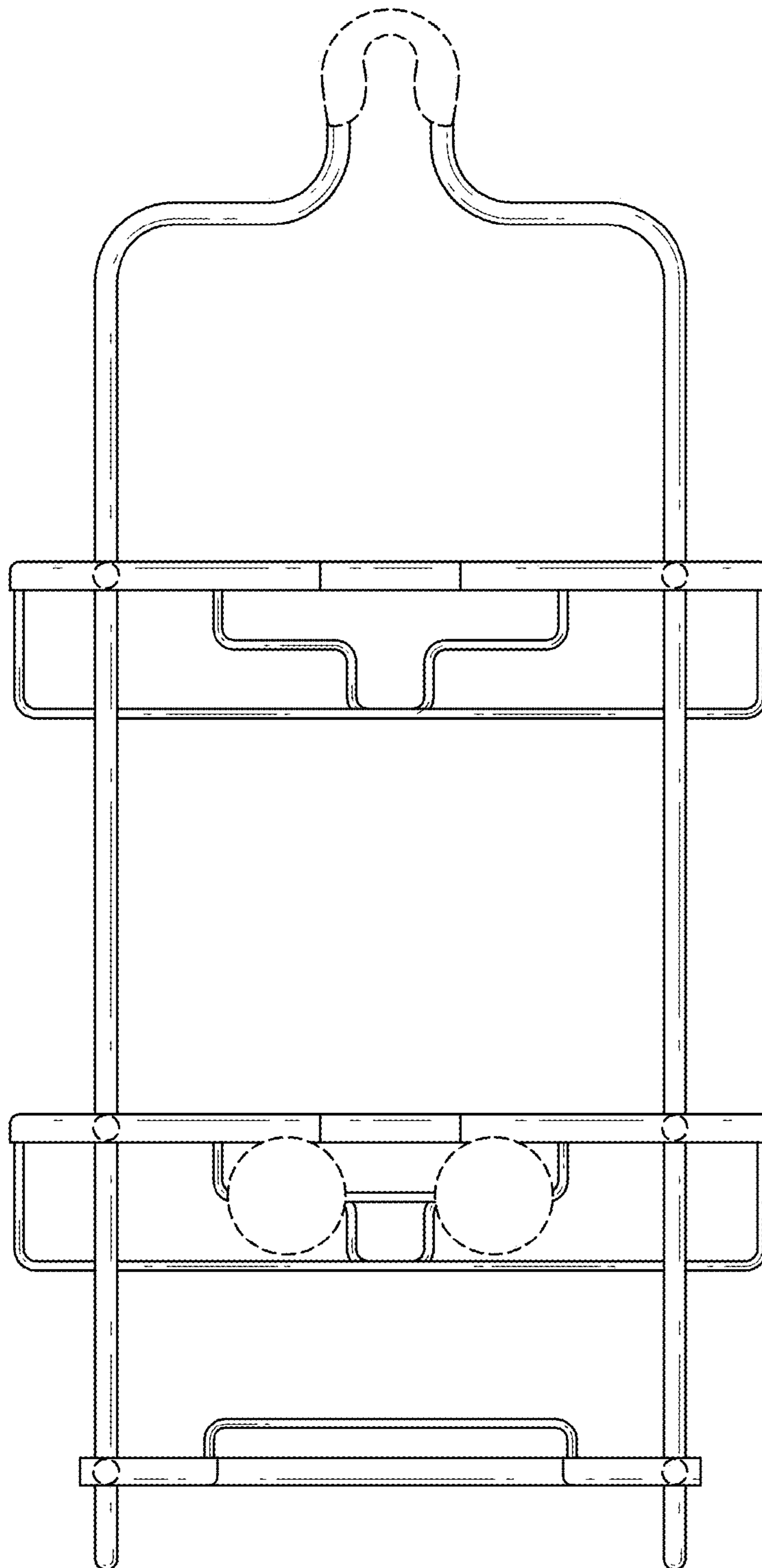


Fig. 7