



US00D714570S

(12) **United States Design Patent**
DeChristofaro

(10) **Patent No.:** **US D714,570 S**

(45) **Date of Patent:** **** Oct. 7, 2014**

(54) **DOCK**

(71) Applicant: **David DeChristofaro Investments, LLC**, Niles, OH (US)

(72) Inventor: **David M. DeChristofaro**, Niles, OH (US)

(73) Assignee: **David DeChristofaro Investments LLC**, Niles, OH (US)

(**) Term: **14 Years**

(21) Appl. No.: **29/483,172**

(22) Filed: **Feb. 26, 2014**

(51) **LOC (10) Cl.** **23-02**

(52) **U.S. Cl.**
USPC **D6/524**; D6/528; D6/534; D6/525

(58) **Field of Classification Search**
USPC D6/524, 526, 527, 528, 534, 525;
206/208, 228, 209, 209.1, 361, 362,
206/362.1, 362.2, 362.3; 211/13.1, 66,
211/70.6, 86.01, 87.01; D7/701, 635, 637
See application file for complete search history.

(56) **References Cited**

U.S. PATENT DOCUMENTS

D389,686 S *	1/1998	Drage	D6/528
D634,139 S *	3/2011	Volk	D6/534
D667,248 S *	9/2012	Lawer	D6/534
D687,246 S *	8/2013	Rodriguez	D6/534
D701,394 S *	3/2014	Lin	D6/534

* cited by examiner

Primary Examiner — Brian N Vinson

(74) *Attorney, Agent, or Firm* — Blank Rome LLP

(57) **CLAIM**

The ornamental design for a dock, as shown and described.

DESCRIPTION

FIG. 1 is a perspective view of a dock of the present design, the dock comprising a larger opening and a smaller opening.

FIG. 2 is a left side view of the dock of FIG. 1, the right side view being a mirror image thereof.

FIG. 3 is a rear view of the dock of FIG. 1.

FIG. 4 is a front view of the dock of FIG. 1.

FIG. 5 is a top view of the dock of FIG. 1.

FIG. 6 is a rear view of the dock of FIG. 1 showing, in dashed lines, a cover for a toothpaste tube disposed in the larger opening of the dock of FIG. 1.

FIG. 7 is a front view of the dock of FIG. 1 showing, in dashed lines, the cover of FIG. 6 disposed in the larger opening of the dock of FIG. 1 and showing, in dashed lines, a toothbrush case disposed in the smaller opening of the dock of FIG. 1.

FIG. 8 is a top view of the dock of FIG. 1 showing the cover of FIG. 6 in dashed lines disposed in the larger opening of the dock of FIG. 1 and the toothbrush case of FIG. 7 in dashed lines disposed in the smaller opening of the dock of FIG. 1.

FIG. 9 is a left side view of the dock of FIG. 1 showing the cover of FIG. 6 in dashed lines disposed in the larger opening of the dock of FIG. 1 and the toothbrush case of FIG. 7 in dashed lines disposed in the smaller opening of the dock of FIG. 1, the right side view being a mirror image thereof.

FIG. 10 is a perspective view of the dock of FIG. 1 showing, in dashed lines, a soap dispenser and a scrubber, the soap dispenser disposed in the larger opening of the dock of FIG. 1 and the scrubber disposed in the smaller opening of the dock of FIG. 1.

FIG. 11 is a left side view of the dock of FIG. 1 showing the soap dispenser of FIG. 10 disposed in the larger opening of the dock of FIG. 1 and the scrubber of FIG. 10 disposed in the smaller opening of the dock of FIG. 1, the right side view being a mirror image thereof.

FIG. 12 is a rear view of the dock of FIG. 1 showing the soap dispenser of FIG. 10 disposed in the larger opening of the dock of FIG. 1 and the scrubber of FIG. 10 disposed in the smaller opening of the dock of FIG. 1.

FIG. 13 is a front view of the dock of FIG. 1 showing the soap dispenser of FIG. 10 disposed in the larger opening of the dock of FIG. 1 and the scrubber of FIG. 10 disposed in the smaller opening of the dock of FIG. 1.

FIG. 14 is a top view of the dock of FIG. 1 showing the soap dispenser of FIG. 10 disposed in the larger opening of the dock of FIG. 1 and the scrubber of FIG. 10 disposed in the smaller opening of the dock of FIG. 1.

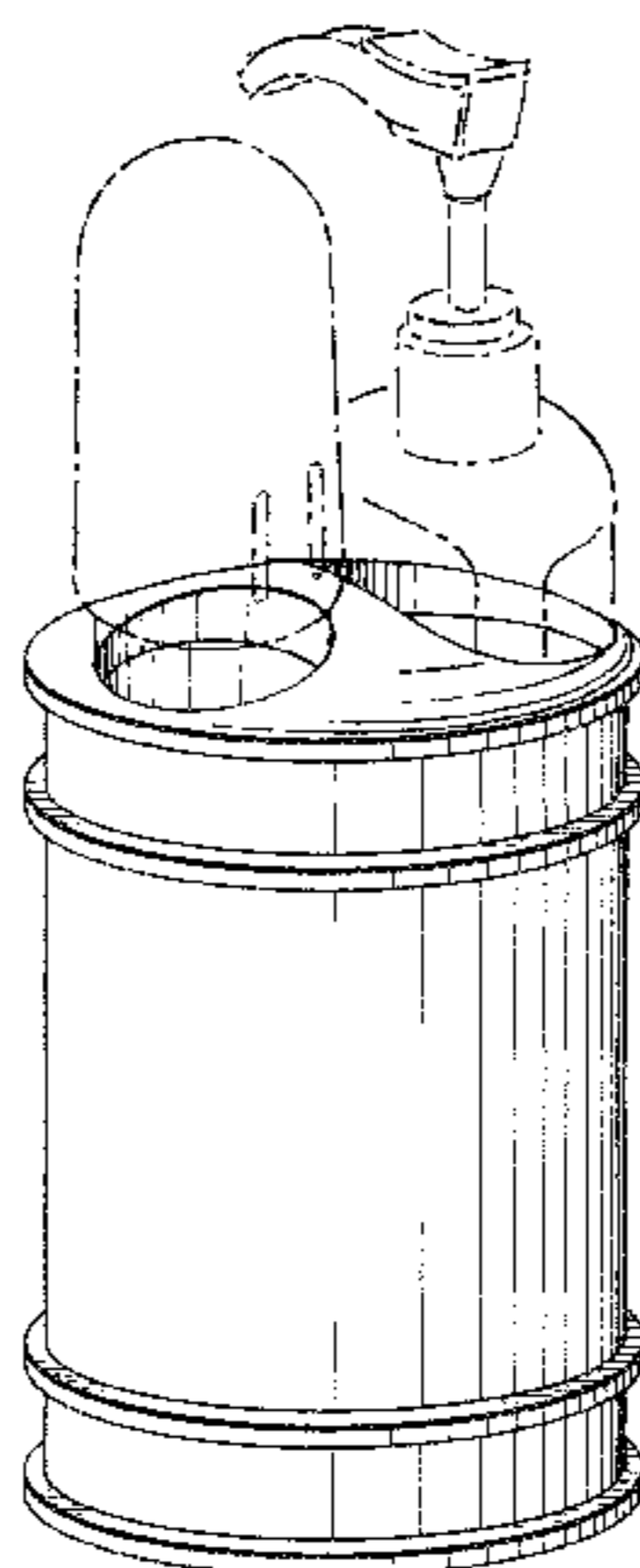


FIG. 15 is a perspective view of the dock of FIG. 1 showing, in dashed lines, a dispenser and a toothbrush case, the dispenser disposed in the larger opening of the dock of FIG. 1 and the toothbrush case disposed in the smaller opening of the dock of FIG. 1.

FIG. 16 is a rear view of the dock of FIG. 1 showing the dispenser of FIG. 15 in dashed lines disposed in the larger opening of the dock of FIG. 1 and the toothbrush case of FIG. 15 in dashed lines disposed in the smaller opening of the dock of FIG. 1.

FIG. 17 is a front view of the dock of FIG. 1 showing the dispenser of FIG. 15 in dashed lines disposed in the larger opening of the dock of FIG. 1 and the toothbrush case of FIG. 15 in dashed lines disposed in the smaller opening of the dock of FIG. 1.

FIG. 18 is a top view of the dock of FIG. 1 showing the dispenser of FIG. 15 in dashed lines disposed in the larger opening of the dock of FIG. 1 and the toothbrush case of FIG. 15 in dashed lines disposed in the smaller opening of the dock of FIG. 1.

FIG. 19 is a left side view of the dock of FIG. 1 showing the dispenser of FIG. 15 in dashed lines disposed in the larger opening of the dock of FIG. 1 and the toothbrush case of FIG. 15 in dashed lines disposed in the smaller opening of the dock of FIG. 1.

FIG. 20 is a perspective view of the dock of FIG. 1 showing, in dashed lines, a dispenser and an electric toothbrush cover,

the dispenser disposed in the larger opening of the dock of FIG. 1 and the electric toothbrush case disposed in the smaller opening of the dock of FIG. 1.

FIG. 21 is a rear view of the dock of FIG. 1 showing the dispenser of FIG. 20 in dashed lines disposed in the larger opening of the dock of FIG. 1 and the electric toothbrush cover of FIG. 20 in dashed lines disposed in the smaller opening of the dock of FIG. 1.

FIG. 22 is a front view of the dock of FIG. 1 showing the dispenser of FIG. 20 in dashed lines disposed in the larger opening of the dock of FIG. 1 and the electric toothbrush cover of FIG. 20 in dashed lines disposed in the smaller opening of the dock of FIG. 1.

FIG. 23 is a top view of the dock of FIG. 1 showing the dispenser of FIG. 20 in dashed lines disposed in the larger opening of the dock of FIG. 1 and the electric toothbrush cover of FIG. 20 in dashed lines disposed in the smaller opening of the dock of FIG. 1; and,

FIG. 24 is a left side view of the dock of FIG. 1 showing the dispenser of FIG. 20 in dashed lines disposed in the larger opening of the dock of FIG. 1 and the electric toothbrush cover of FIG. 20 in dashed lines disposed in the smaller opening of the dock of FIG. 1.

The dashed lines shown in the figures are for illustration only and do not form part of the claimed design.

1 Claim, 14 Drawing Sheets

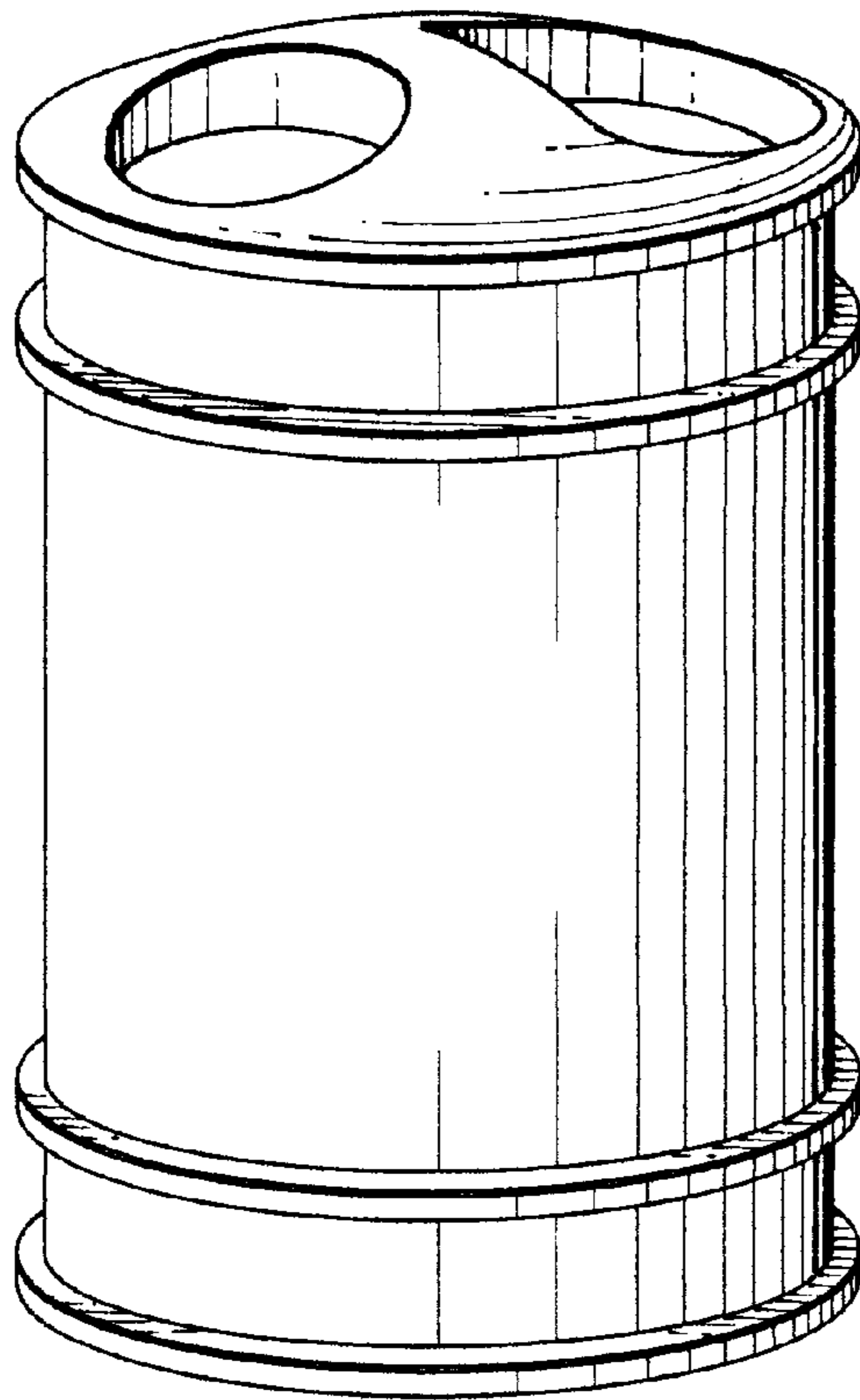


FIG. 1

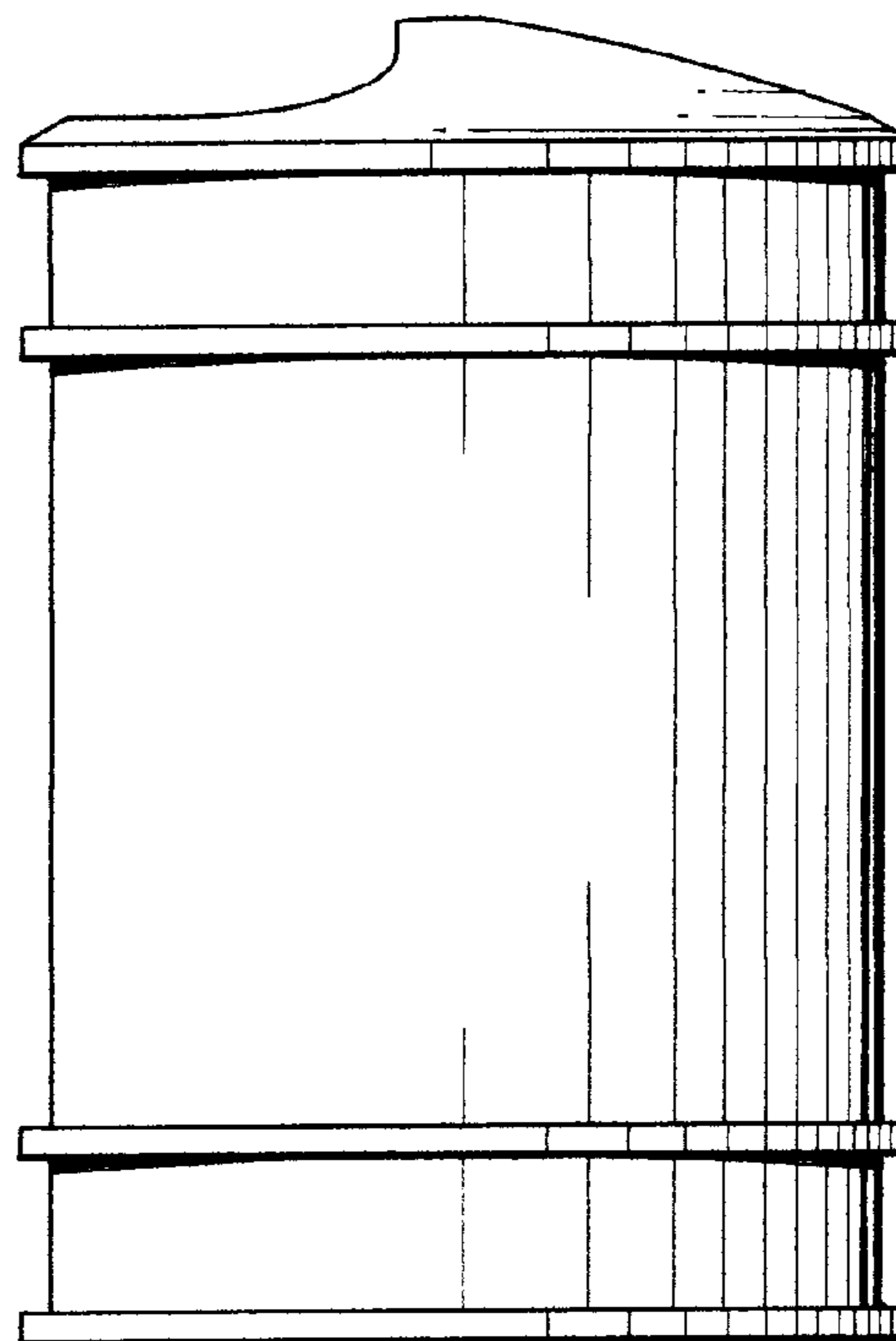


FIG. 2

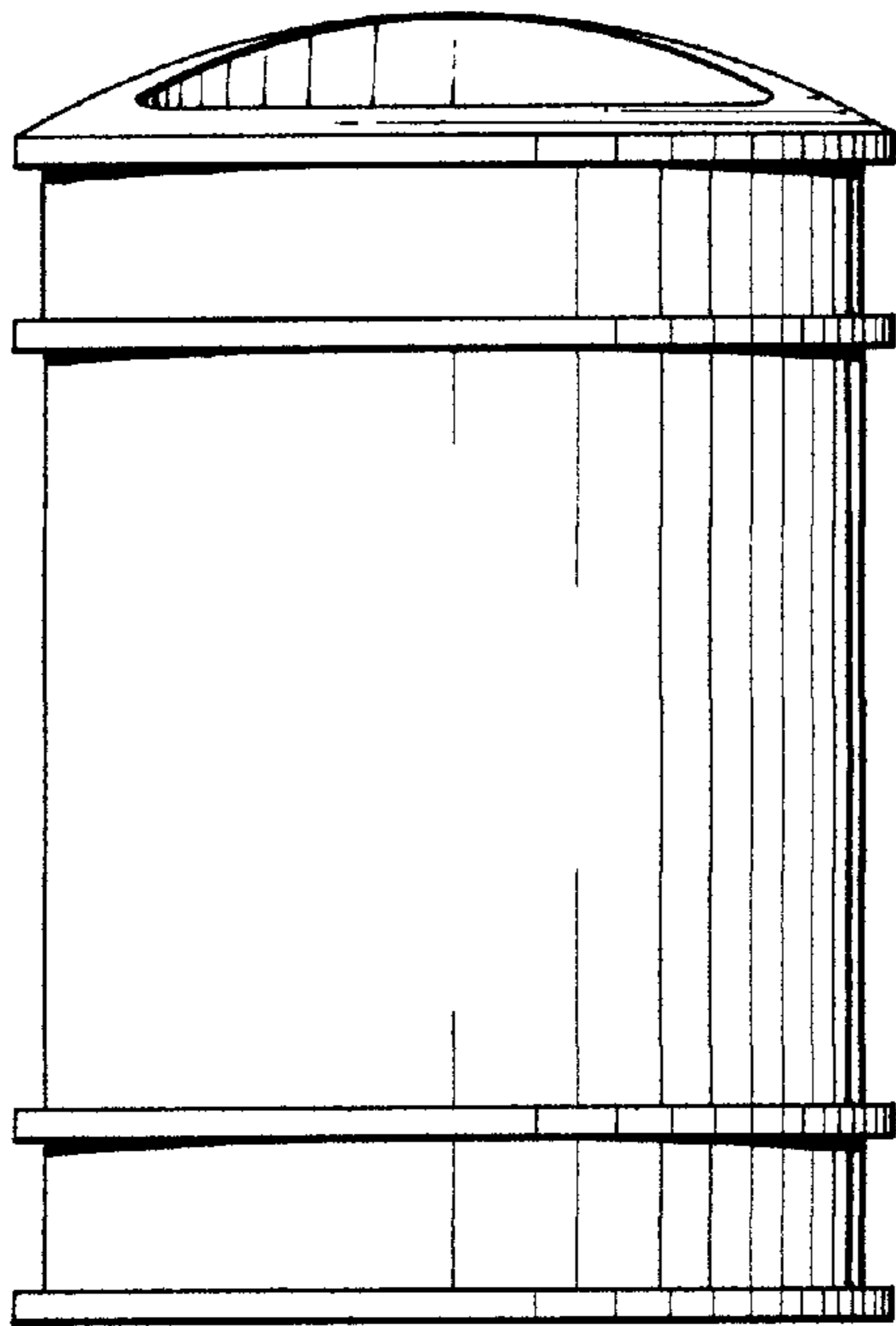


FIG. 3

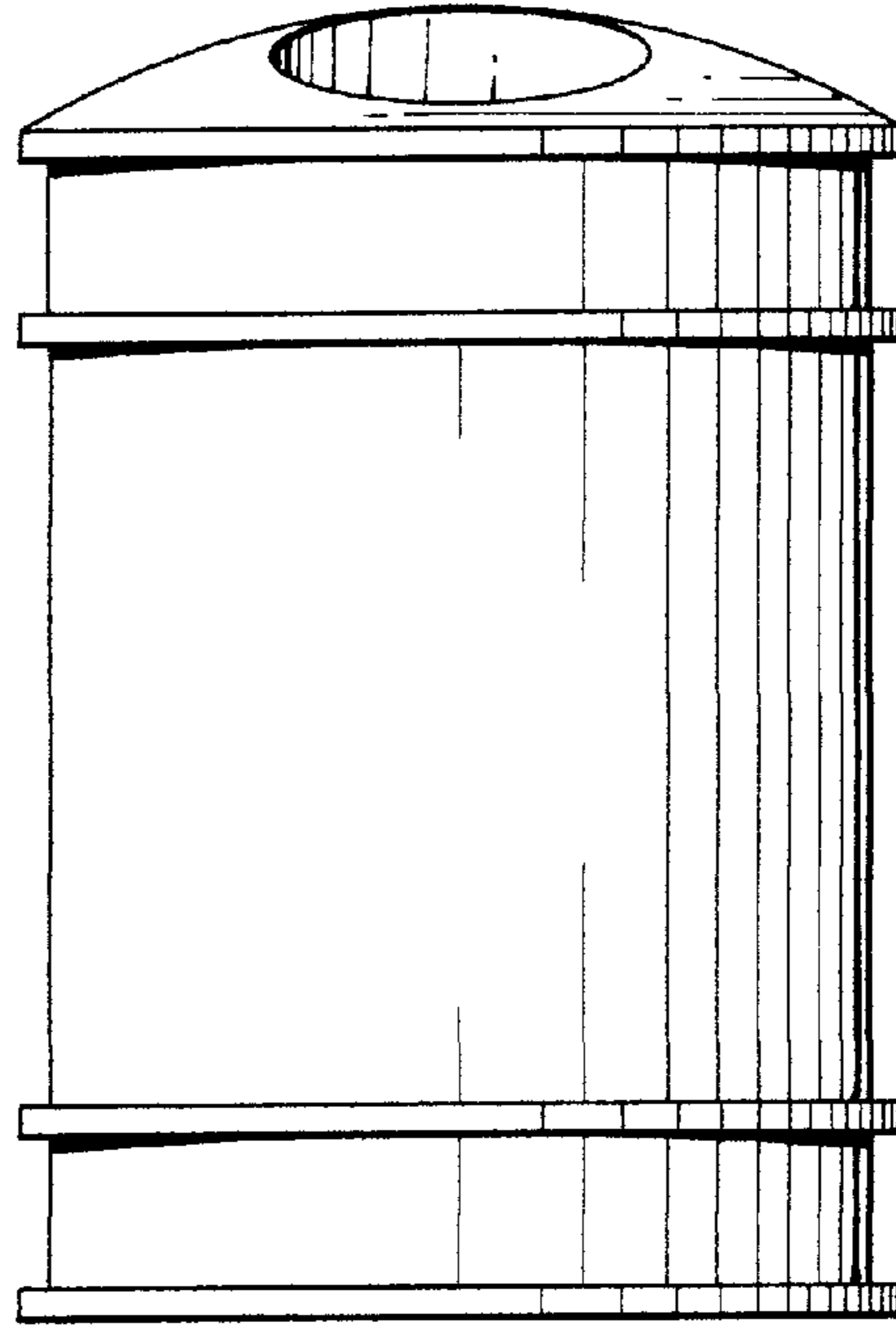


FIG. 4

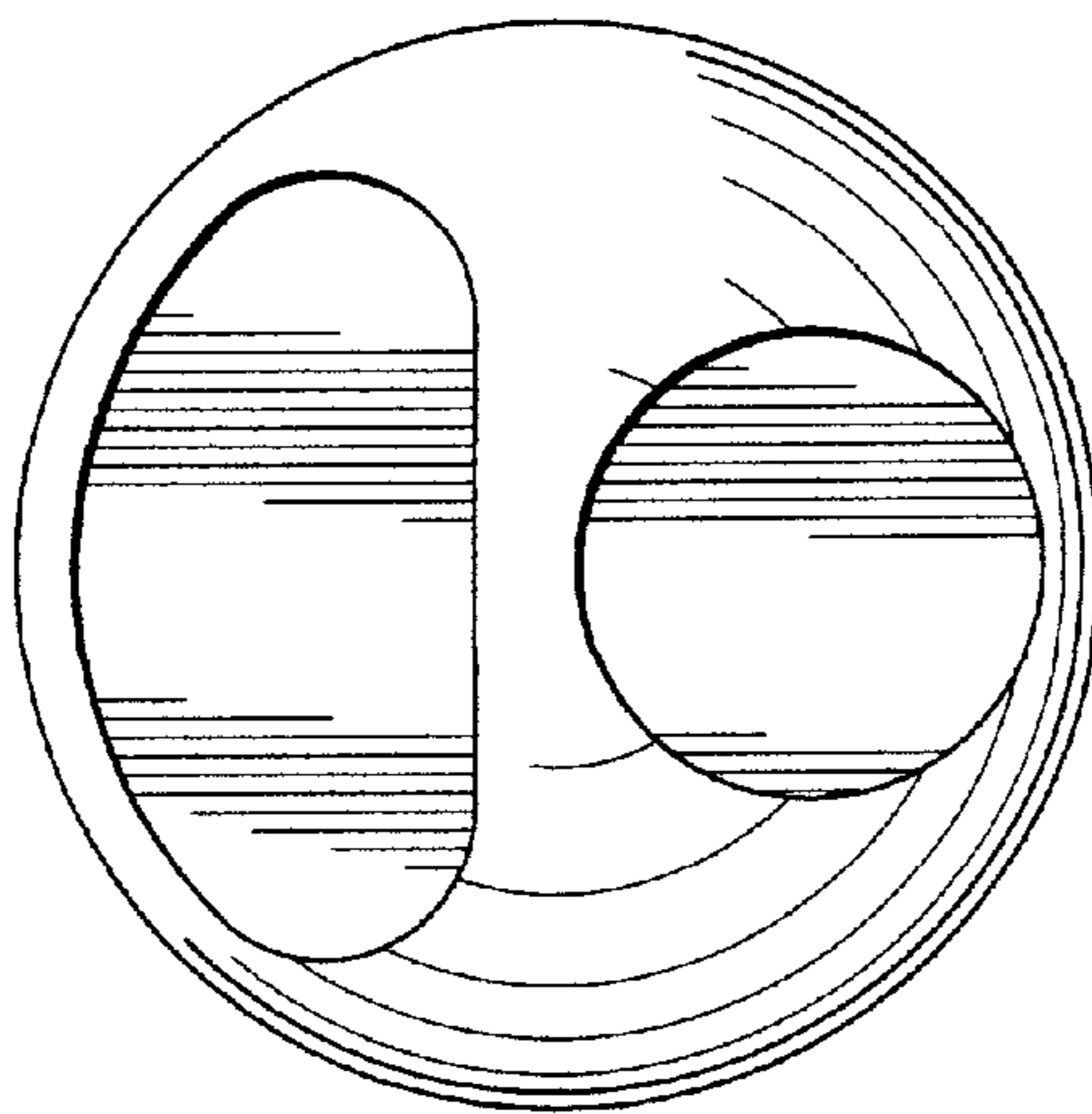


FIG. 5

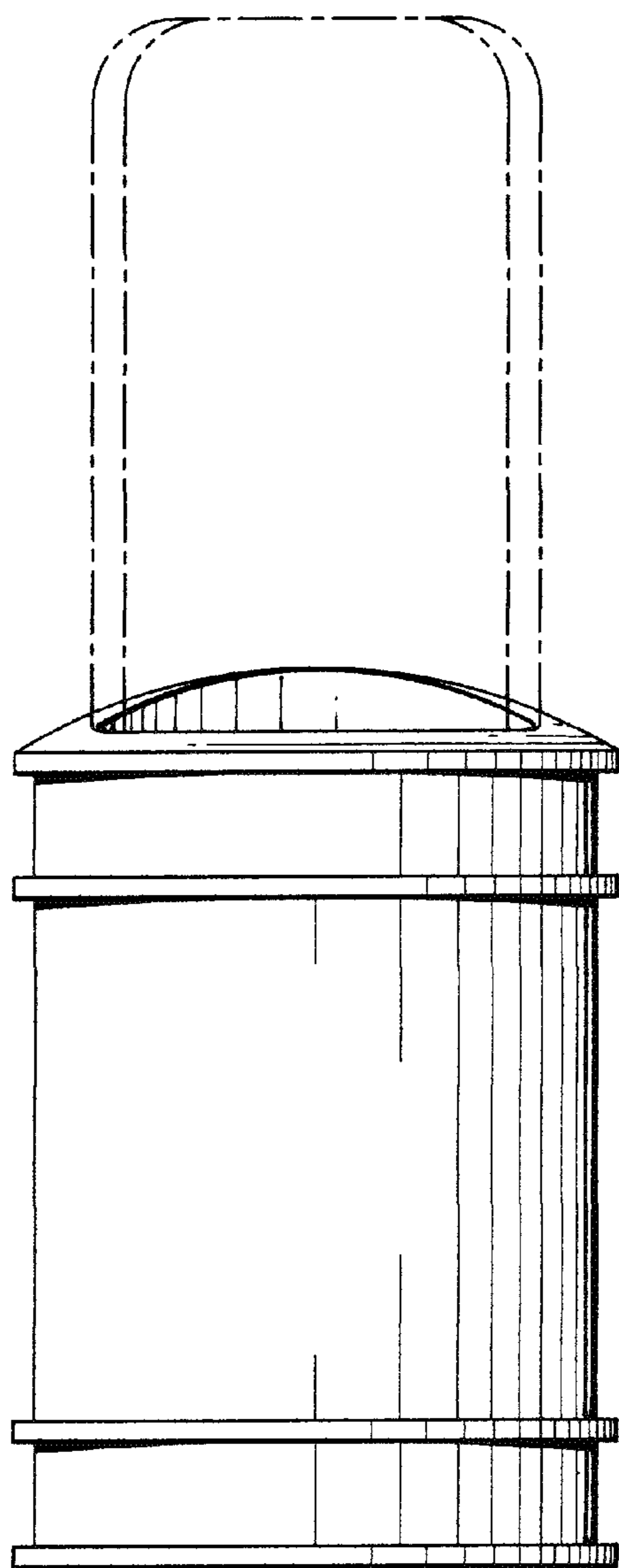


FIG. 6

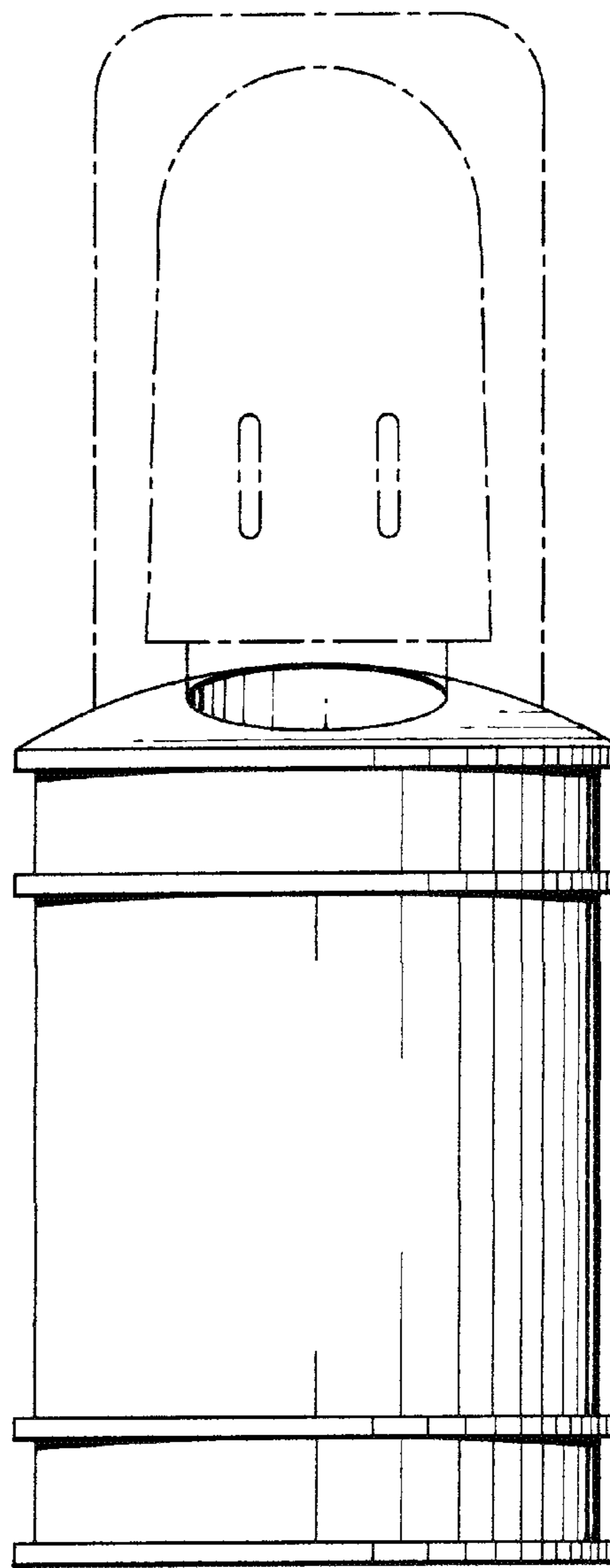


FIG. 7

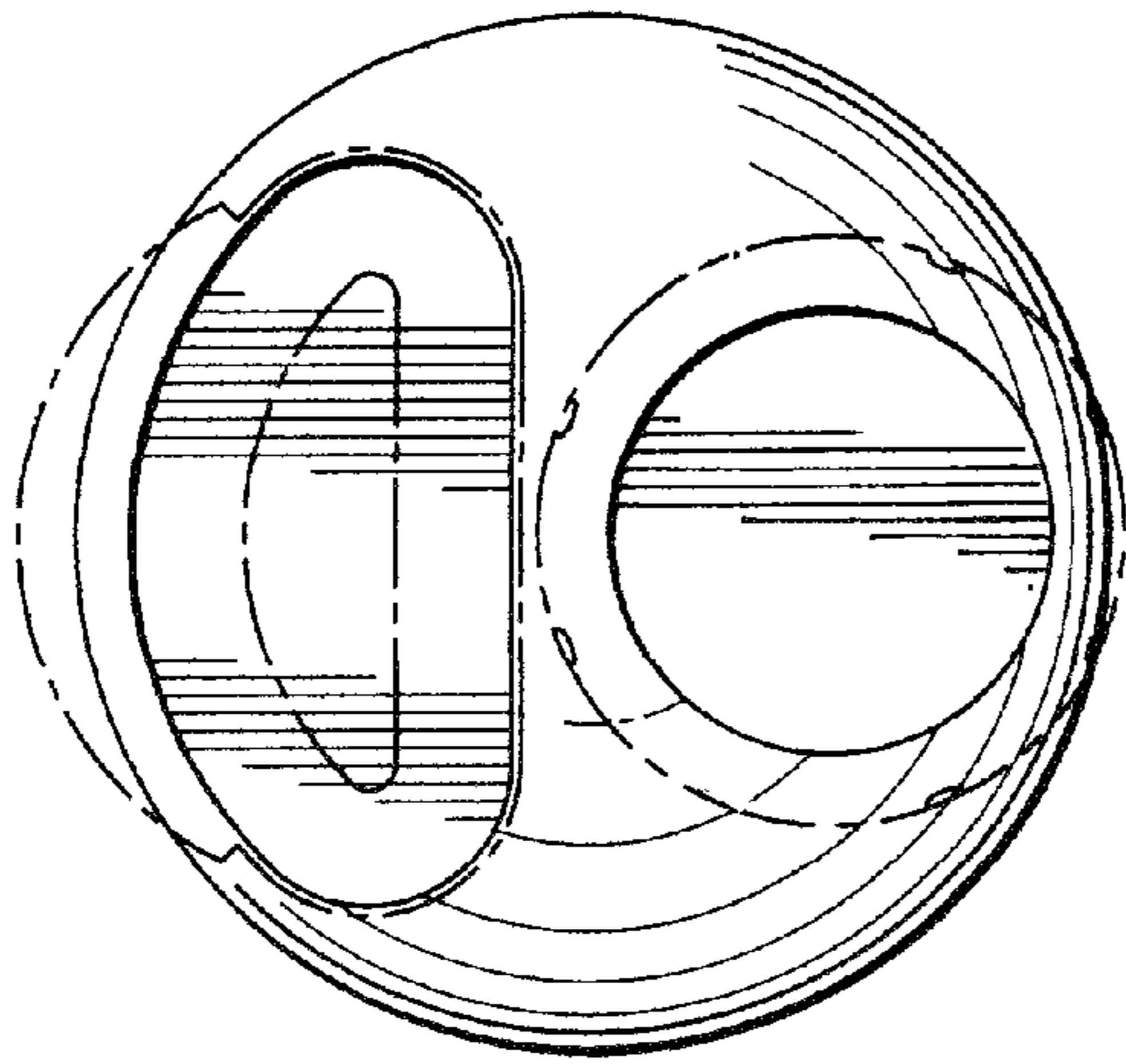


FIG. 8

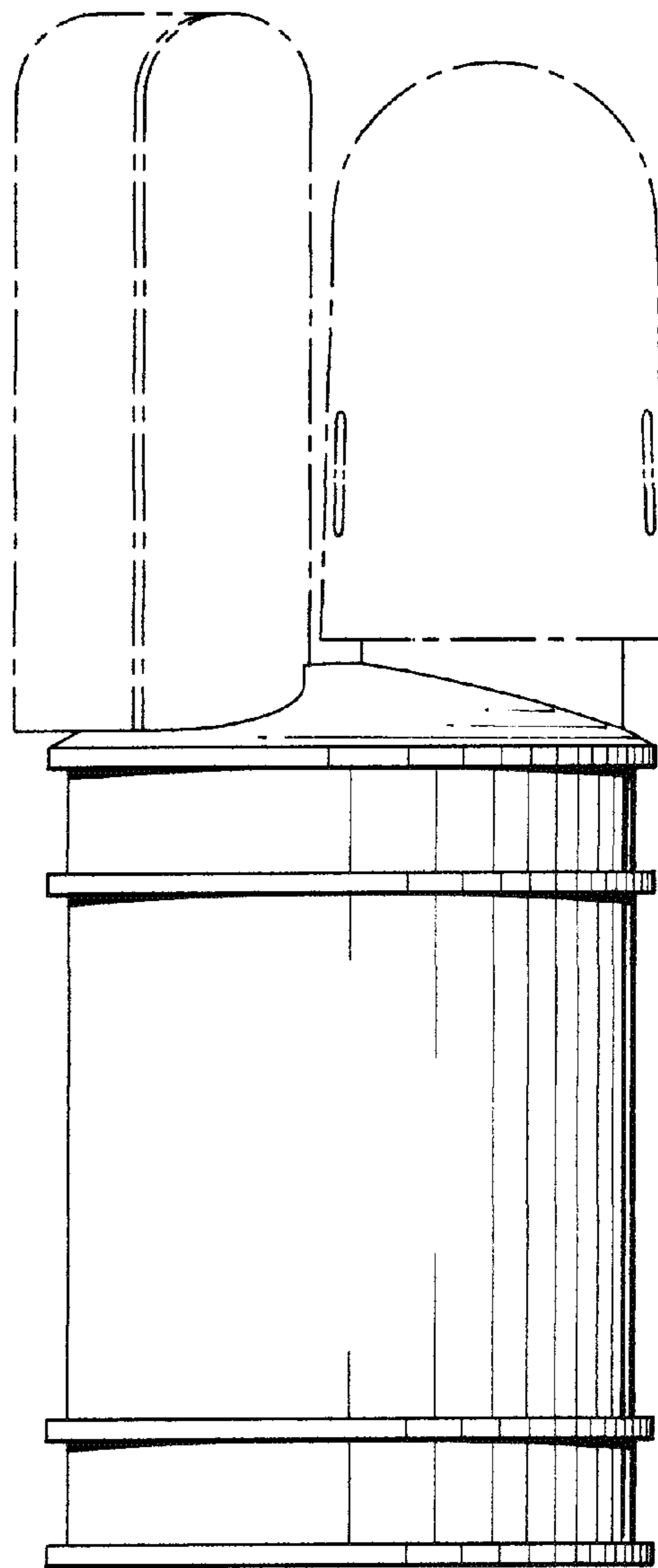


FIG. 9

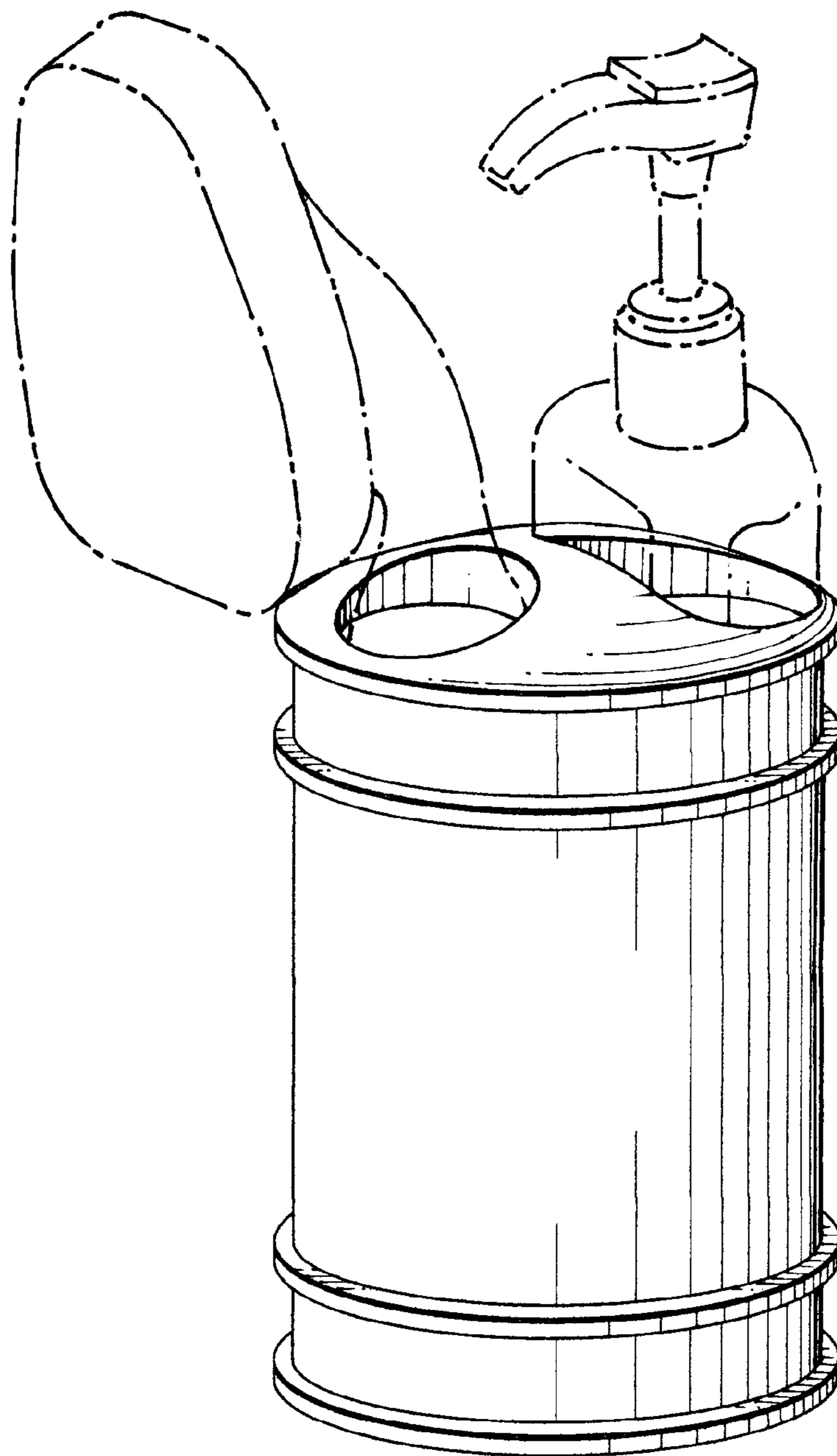


FIG. 10

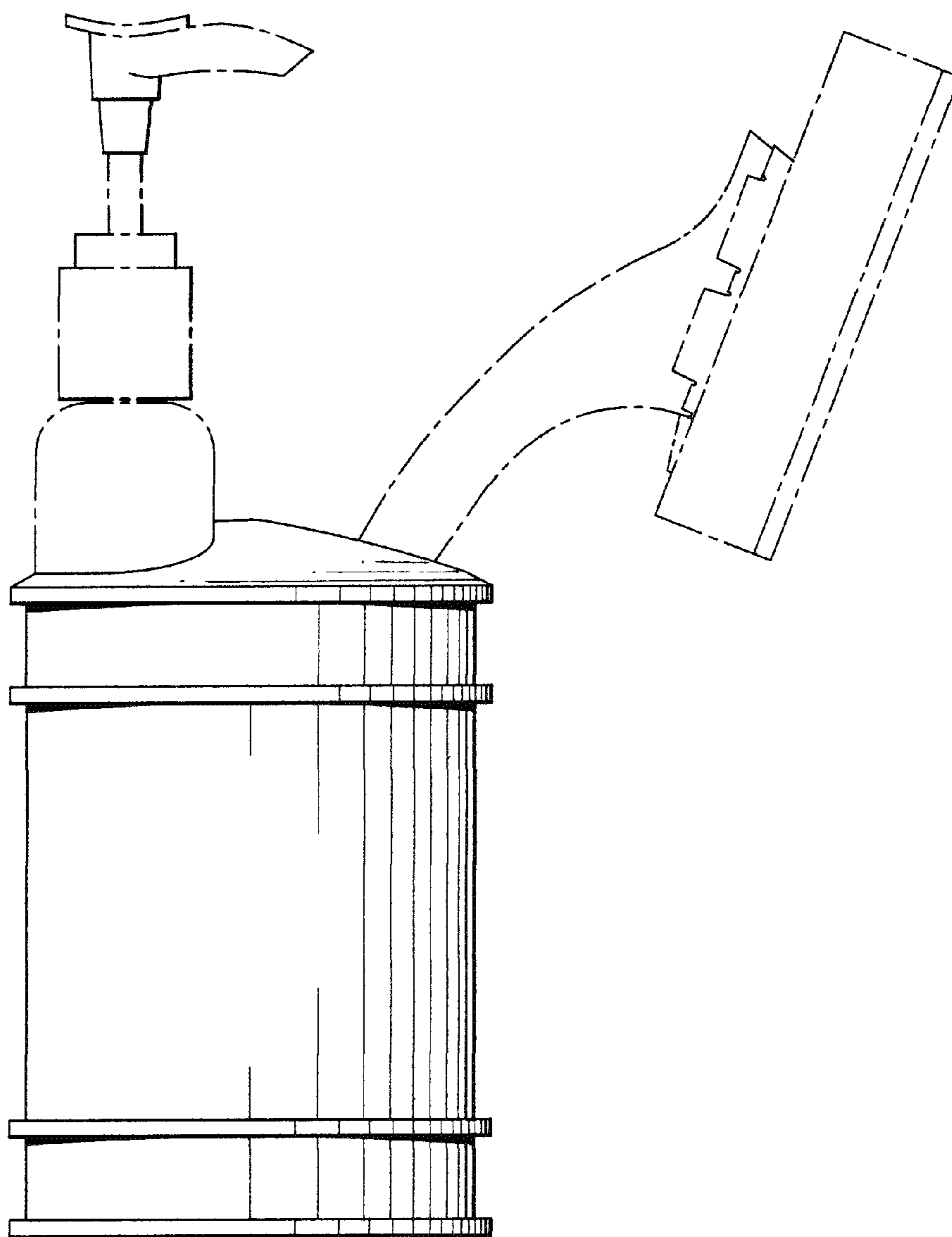


FIG. 11

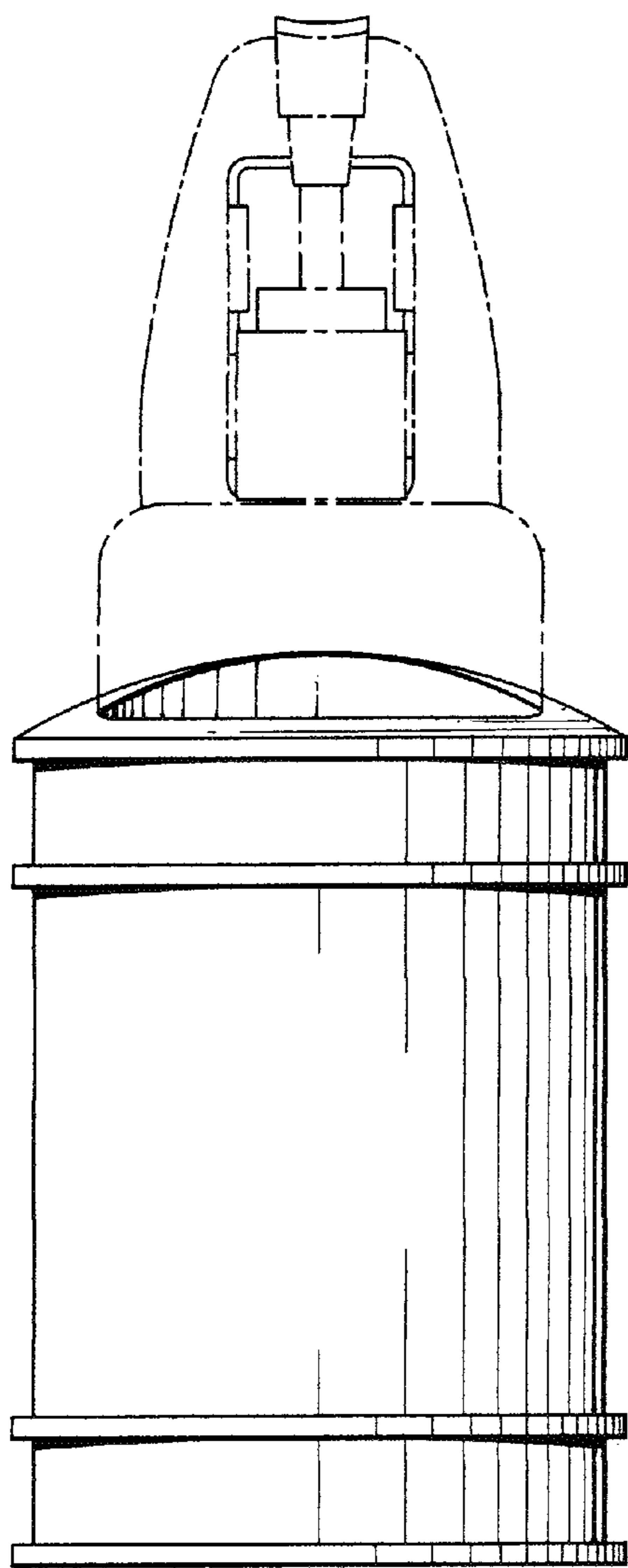


FIG. 12

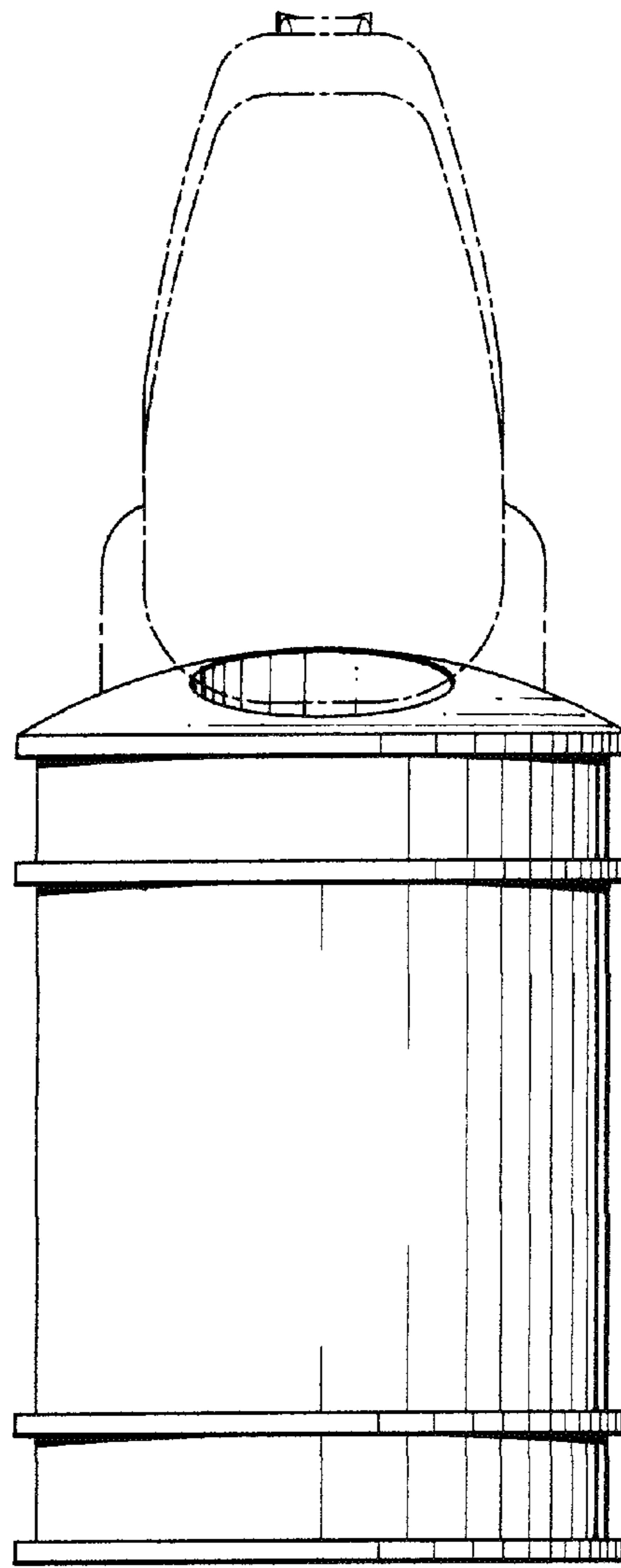


FIG. 13

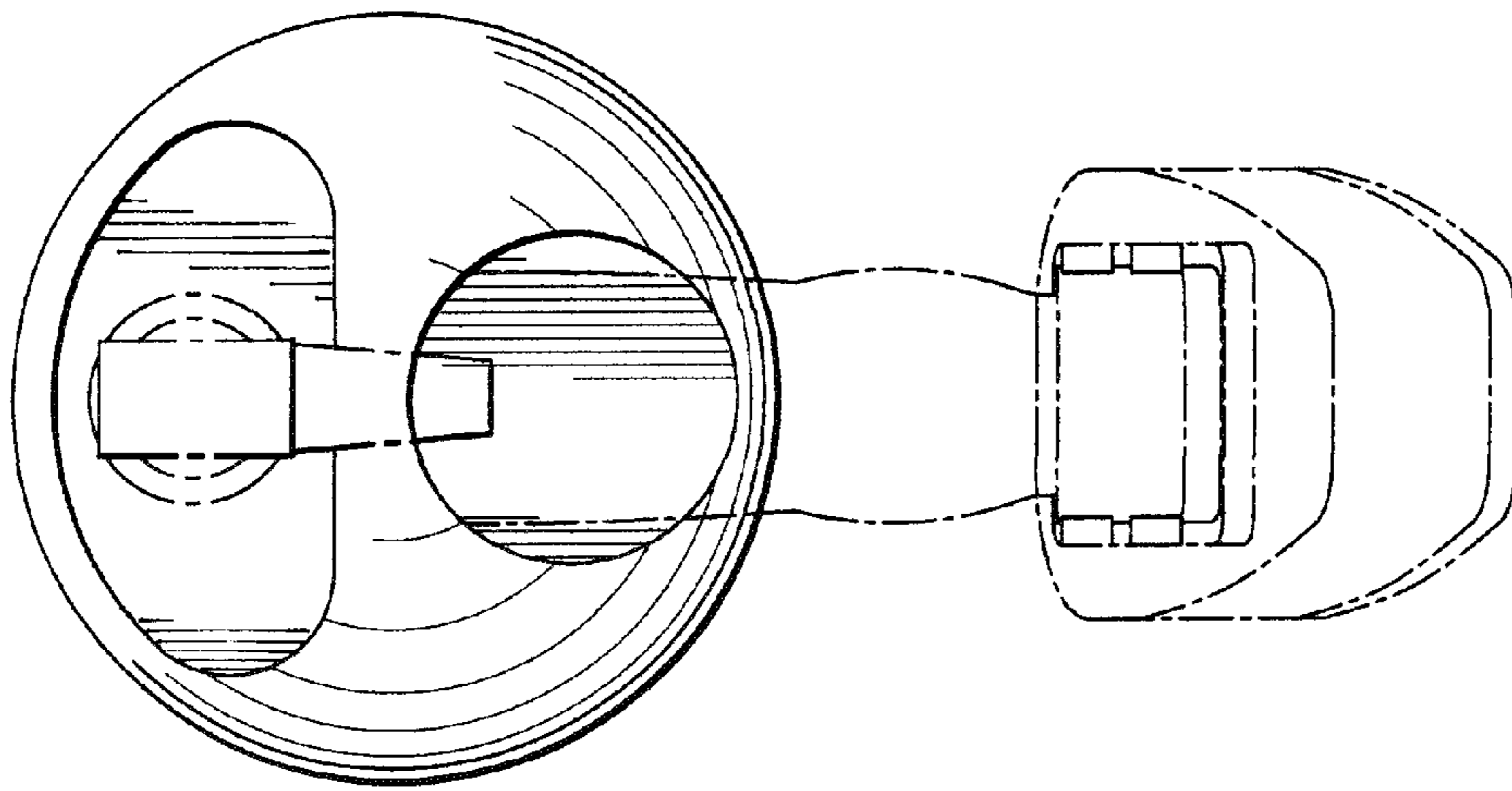


FIG. 14

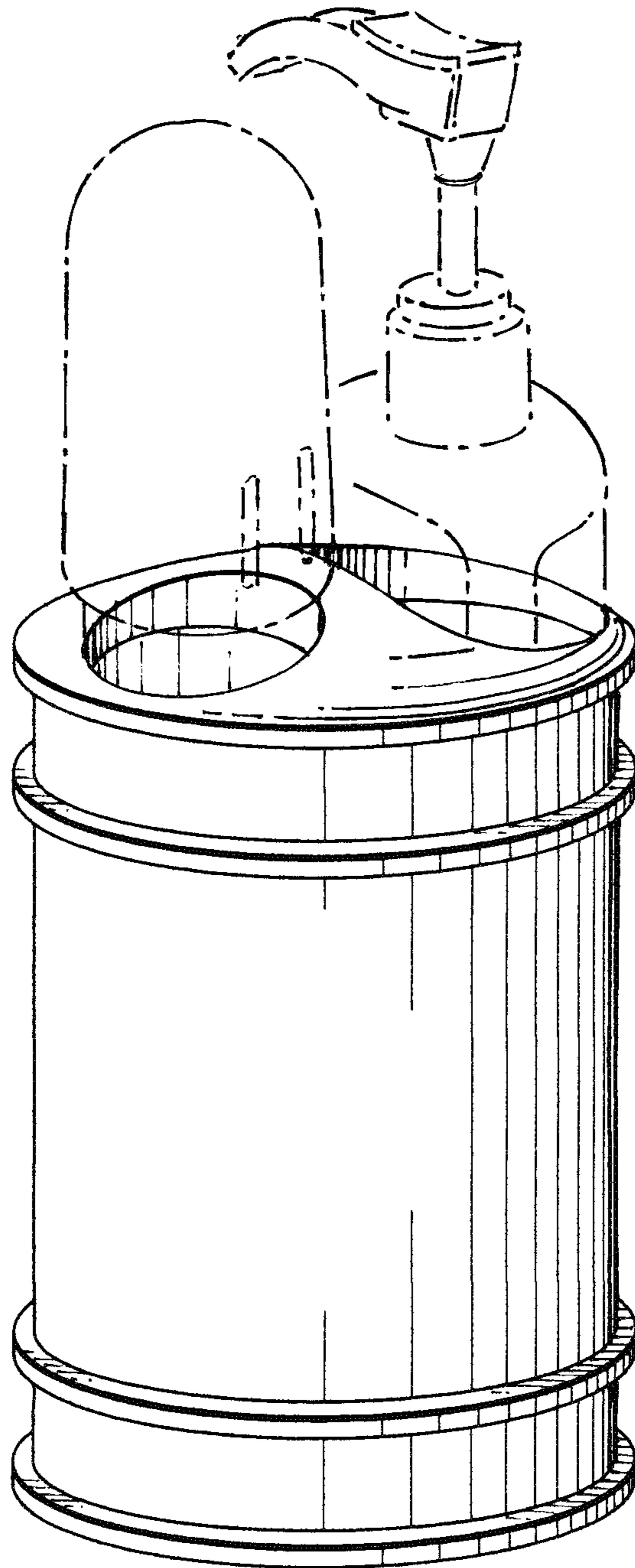


FIG. 15

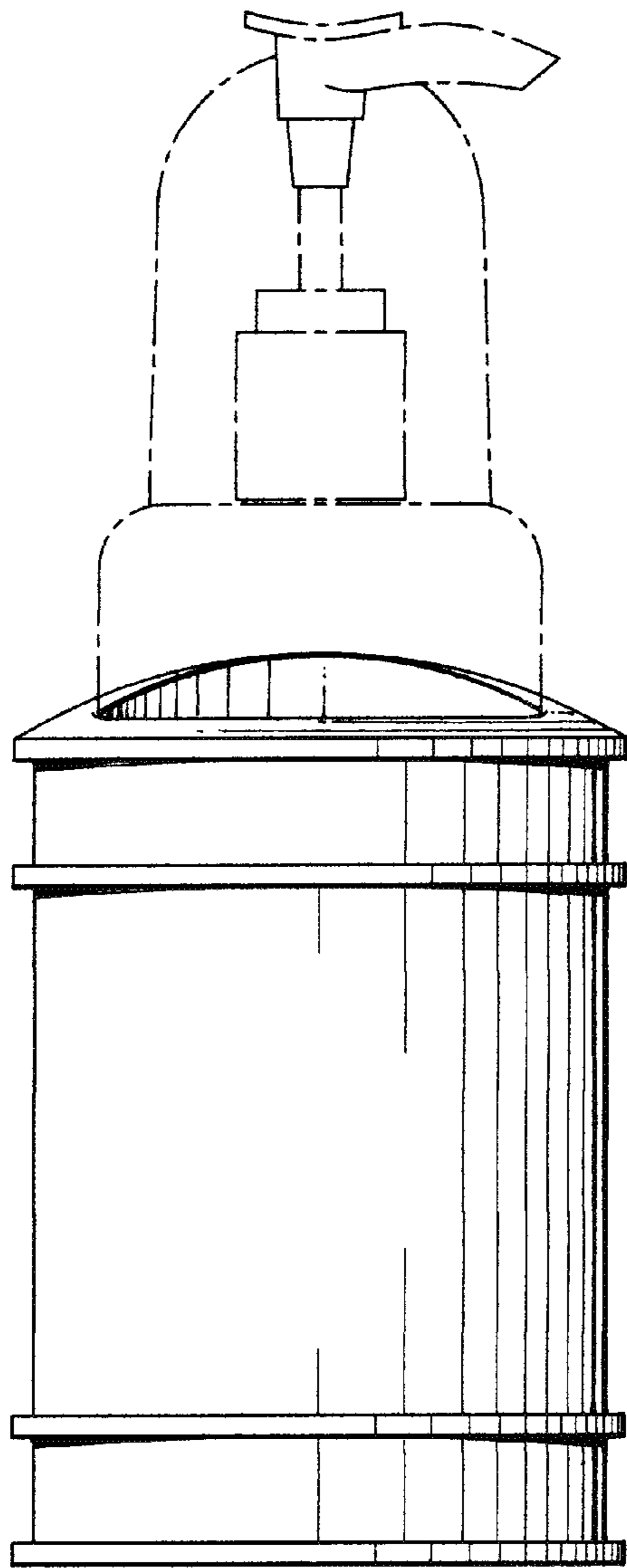


FIG. 16

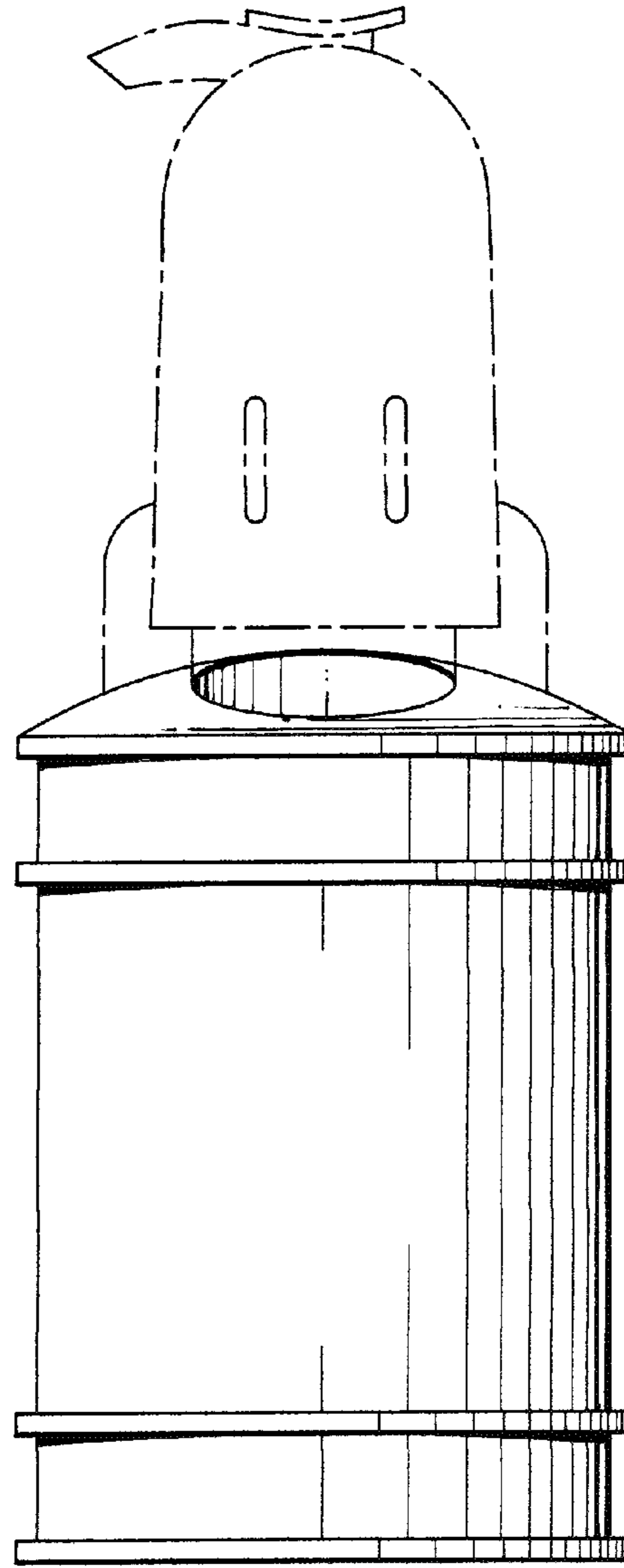


FIG. 17

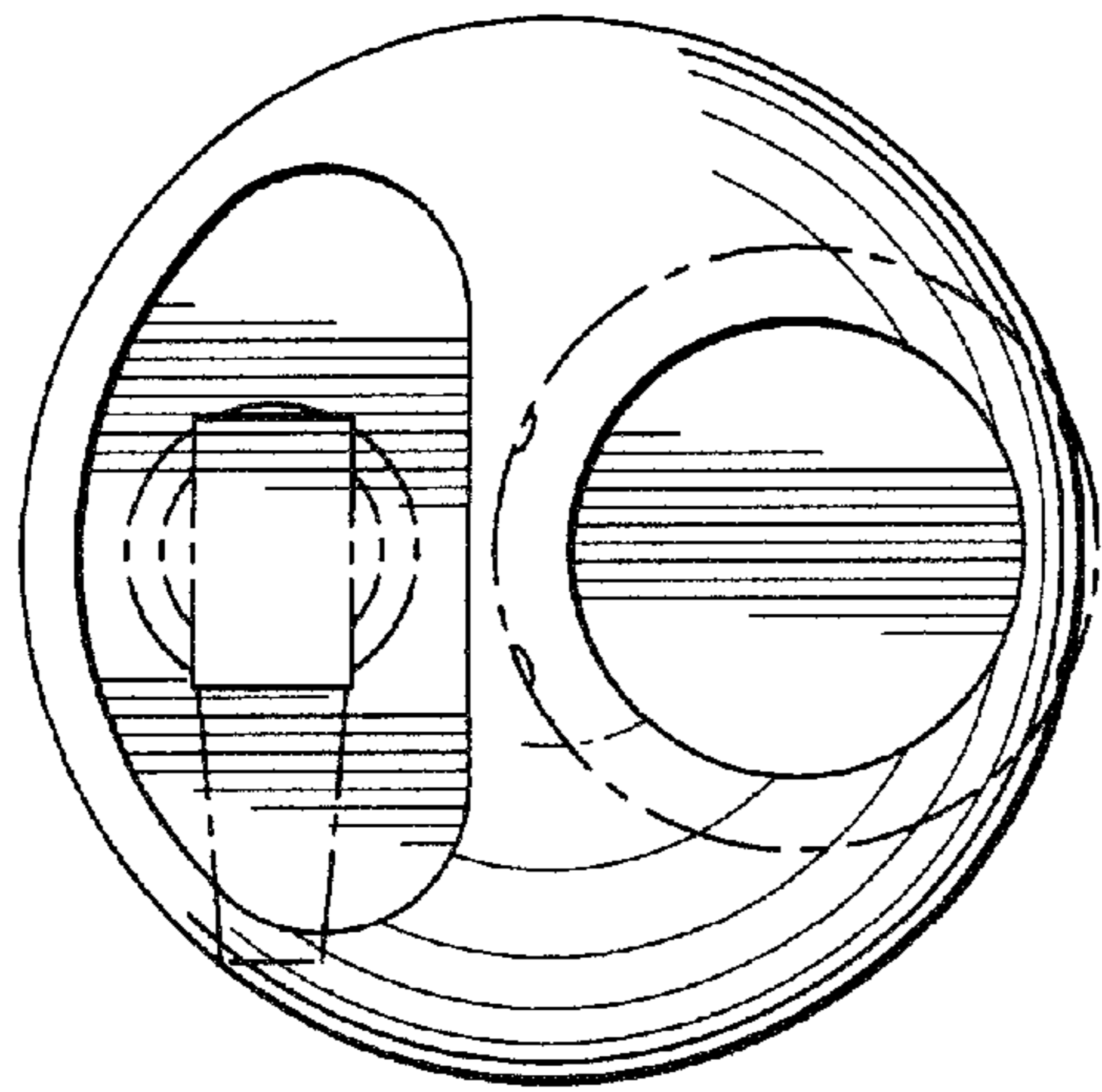


FIG. 18

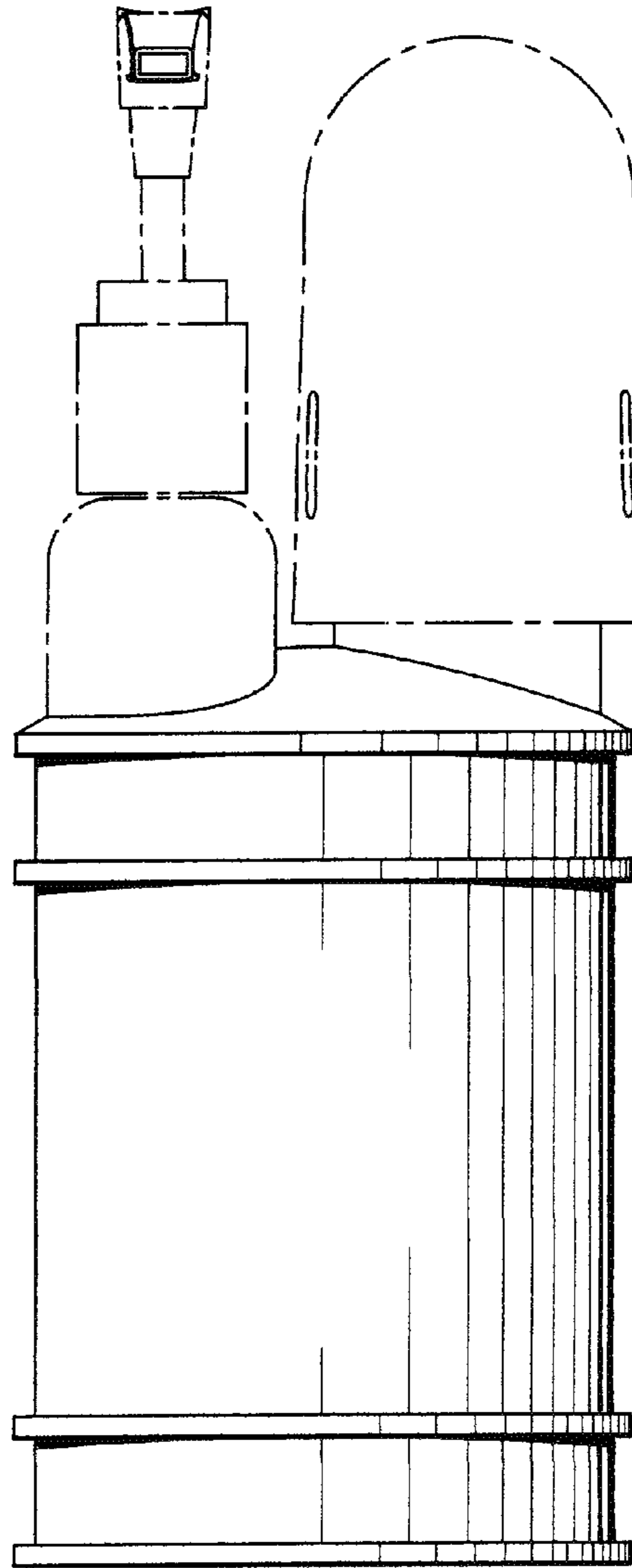


FIG. 19

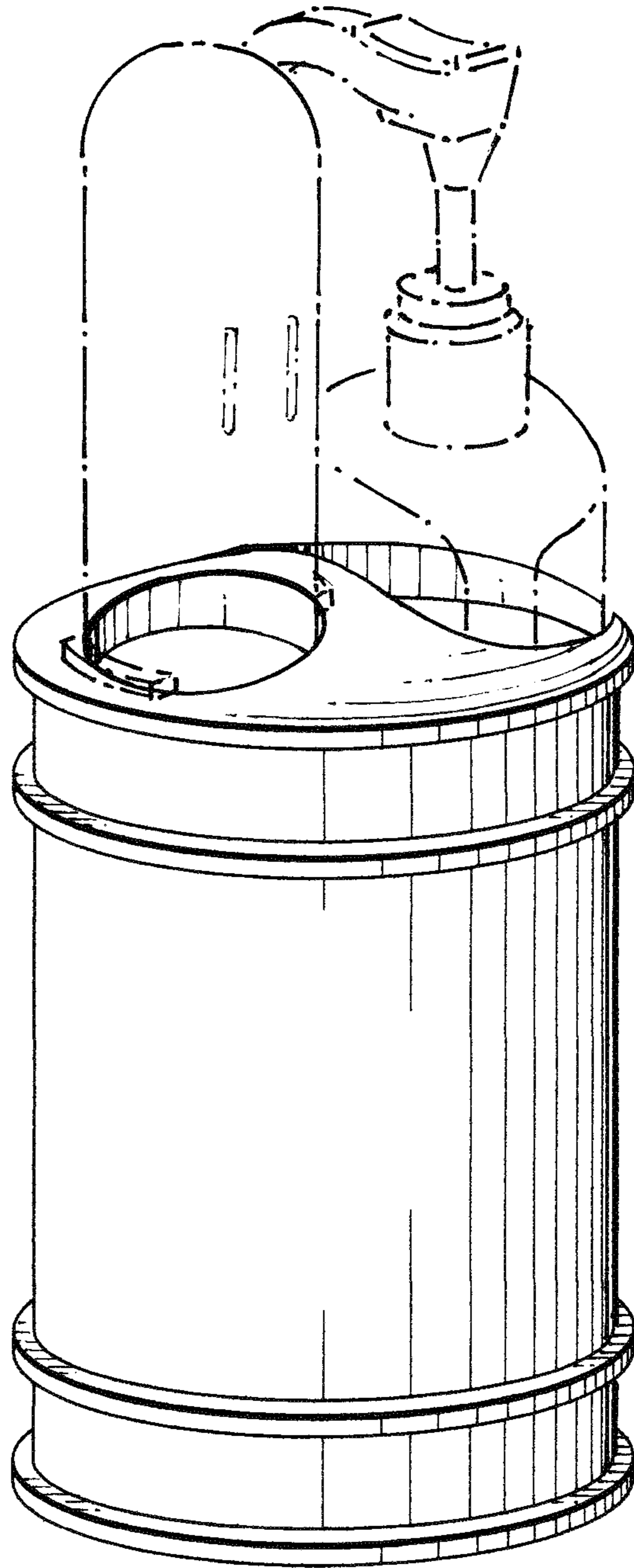


FIG. 20

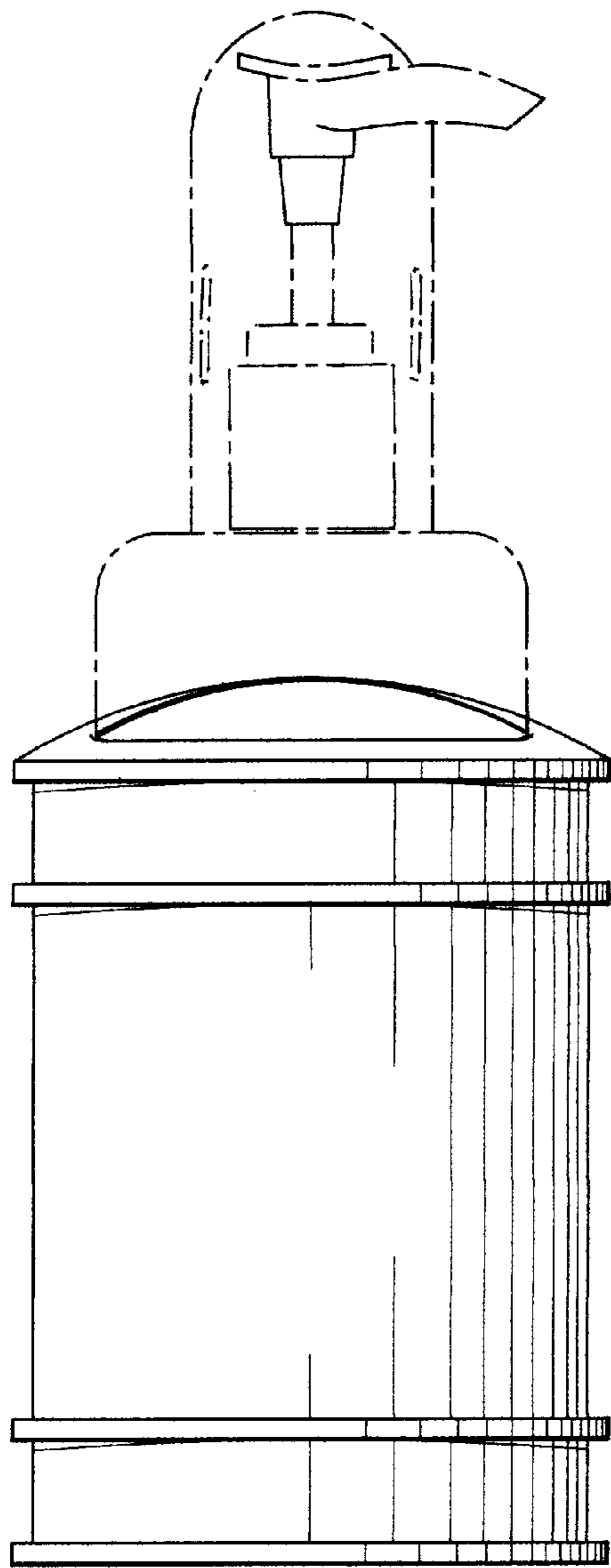


FIG. 21

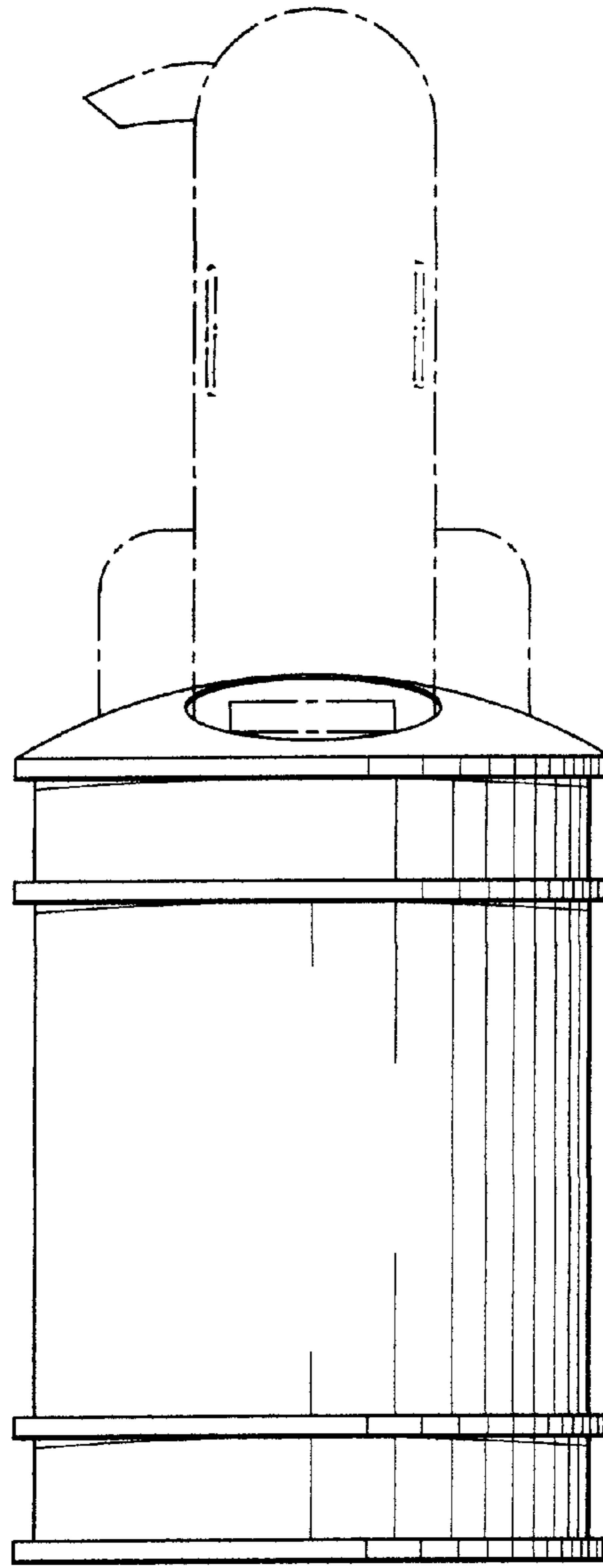


FIG. 22

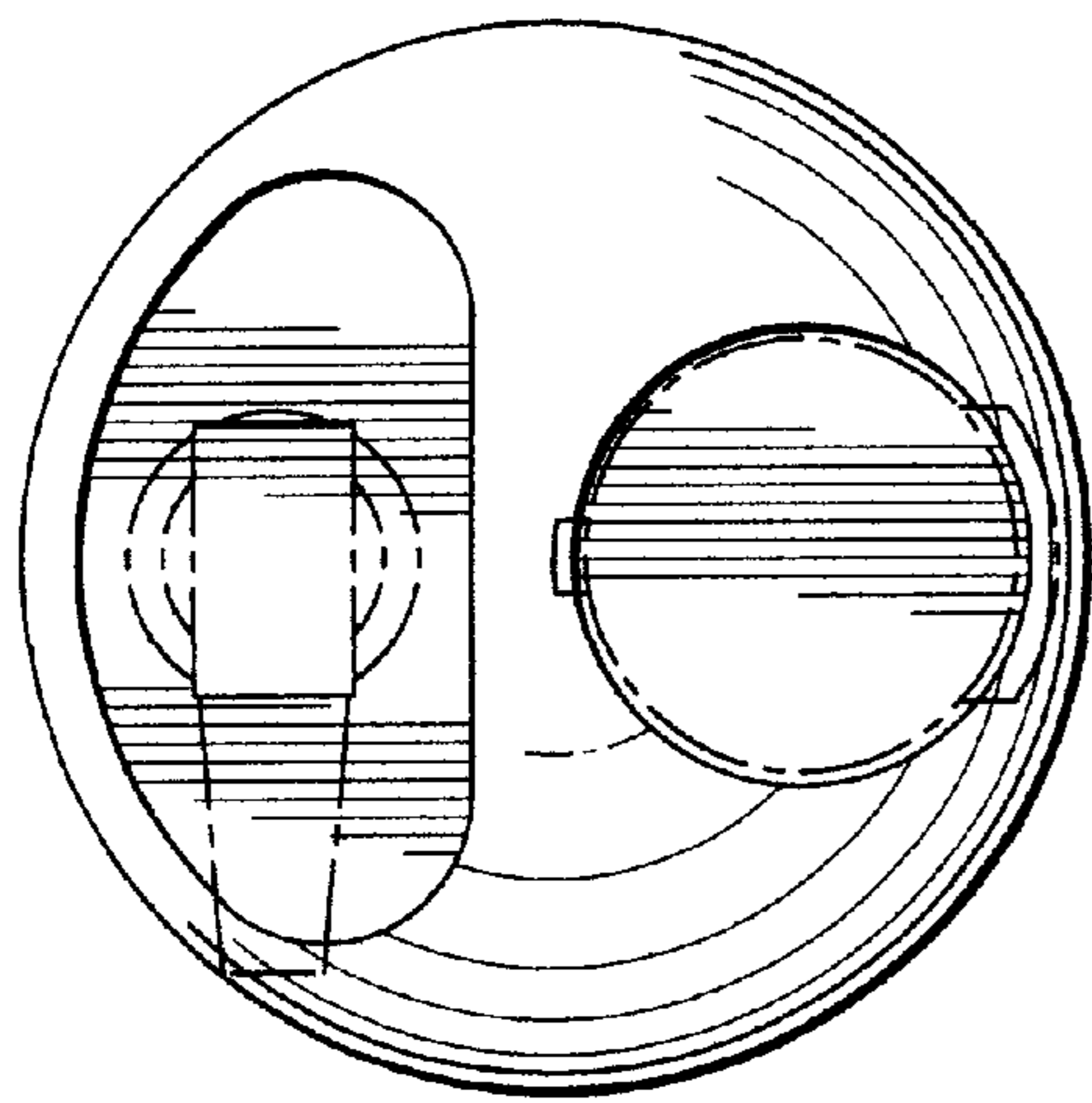


FIG. 23

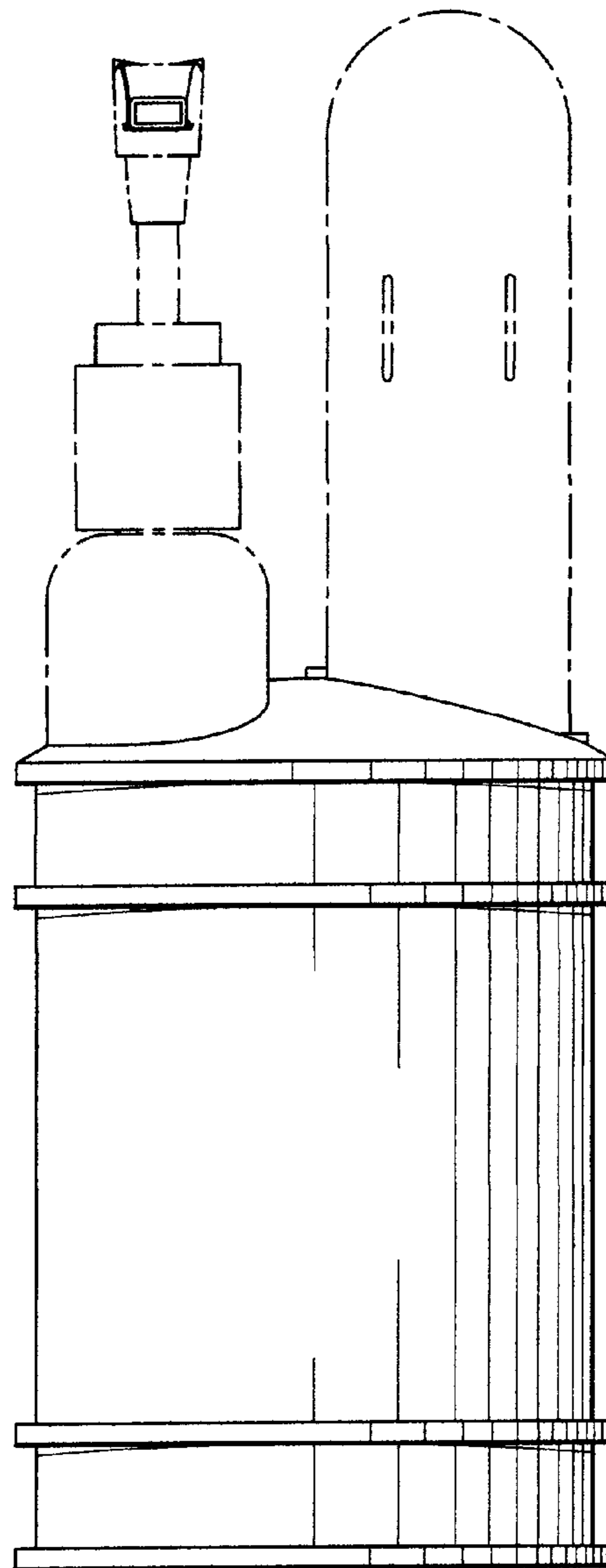


FIG. 24