



US00D714564S

(12) **United States Design Patent**
Vanderminden

(10) **Patent No.:** **US D714,564 S**
(45) **Date of Patent:** **** Oct. 7, 2014**

- (54) **SEAT**
- (71) Applicant: **Telescope Casual Furniture, Inc.**,
Granville, NY (US)
- (72) Inventor: **William M. Vanderminden**,
Queensbury, NY (US)
- (73) Assignee: **Telescope Casual Furniture, Inc.**,
Granville, NY (US)
- (**) Term: **14 Years**
- (21) Appl. No.: **29/456,723**
- (22) Filed: **Jun. 3, 2013**
- (51) **LOC (10) Cl.** **06-01**
- (52) **U.S. Cl.**
USPC **D6/376**
- (58) **Field of Classification Search**
CPC A47C 4/02; A47C 4/03; A47C 5/02;
A47C 7/282; A47C 7/285; A47C 5/06;
A47C 7/16
USPC D6/334-336, 369, 370, 374, 376, 379,
D6/380, 716, 716.1, 716.2, 716.3, 716.4;
297/411.42, 445.1, 446.1, 451.9,
297/452.63, 452.64
See application file for complete search history.

- D278,105 S 3/1985 Ridenour
- D279,243 S 6/1985 Vanderminden
- D289,349 S 4/1987 Vanderminden
- D326,373 S 5/1992 Hess
- D332,355 S 1/1993 Maruya et al.
- D343,964 S 2/1994 Gibbs
- D358,264 S 5/1995 Vanderminden, Sr.
- D359,172 S 6/1995 Arthur, Jr.
- D359,858 S 7/1995 Arthur, Jr.
- D362,557 S 9/1995 Escalona
- D364,750 S 12/1995 Escalona
- D364,973 S 12/1995 de Reuver
- D369,477 S 5/1996 Arthur, Jr.
- D370,359 S 6/1996 Tseng
- D371,684 S 7/1996 Caldwell

(Continued)

OTHER PUBLICATIONS

Vanderminden, design U.S. Appl. No. 29/456,722, entitled Seat, filed Jun. 3, 2013, 7-pages.

(Continued)

Primary Examiner — Mimosa De
(74) *Attorney, Agent, or Firm* — Heslin Rothenberg Farley & Mesiti P.C.

(57) **CLAIM**
The ornamental design for a seat, as shown and described.

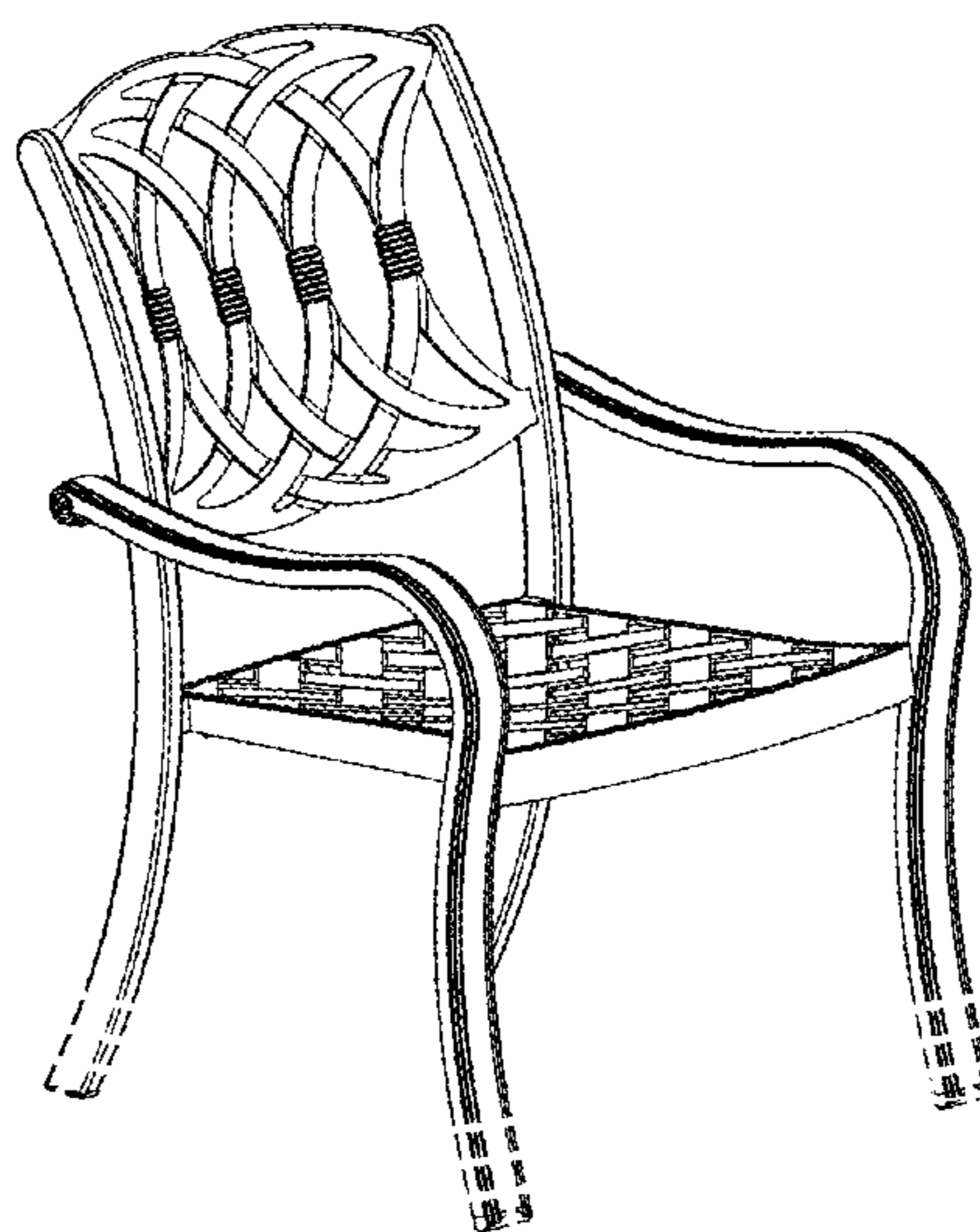
DESCRIPTION

FIG. 1 is a perspective view of a seat in accordance with the new design;
FIG. 2 is a front elevational view thereof;
FIG. 3 is a right side elevational view thereof;
FIG. 4 is a left side elevational view thereof;
FIG. 5 is a rear elevational view thereof; and,
FIG. 6 is a top view thereof.
The broken lines in the figures are for illustration purposes only and form no part of the claimed invention.

1 Claim, 6 Drawing Sheets

(56) **References Cited**
U.S. PATENT DOCUMENTS

- D163,449 S 5/1951 Eiseman
- D181,729 S 12/1957 Jones et al.
- D202,104 S 8/1965 Melchior
- D211,334 S 6/1968 Schultz
- D212,942 S * 12/1968 Parker D6/380
- D214,373 S * 6/1969 Parker D6/716.4
- D235,712 S 7/1975 Laylon
- D259,078 S 5/1981 Deconinck
- D260,826 S 9/1981 Steinberger
- D277,346 S 1/1985 Steinberger



(56)

References Cited

U.S. PATENT DOCUMENTS

D372,806 S 8/1996 Martin
 D383,616 S 9/1997 Caldwell
 D388,969 S 1/1998 Goodman
 D394,560 S 5/1998 Lowman et al.
 D411,925 S 7/1999 Frinier
 D414,050 S 9/1999 Lin
 D415,623 S 10/1999 Lin
 D417,345 S 12/1999 Bell et al.
 D426,717 S 6/2000 Frinier
 D426,718 S * 6/2000 Gaylord et al. D6/376
 D426,975 S 6/2000 Gaylord et al.
 D429,424 S 8/2000 Vanderminden, Sr.
 D431,727 S 10/2000 Bell
 D431,728 S 10/2000 Bell
 D435,978 S 1/2001 Pluer
 D438,397 S 3/2001 Pluer
 D438,398 S 3/2001 Frinier
 D440,065 S 4/2001 Goodman
 D440,423 S 4/2001 Frinier
 D443,444 S * 6/2001 Caldwell D6/502
 D446,660 S 8/2001 Pluer
 D452,082 S 12/2001 Pluer
 D452,083 S 12/2001 Pluer
 D454,009 S * 3/2002 Tseng D6/376
 D459,101 S 6/2002 Pluer
 D463,177 S * 9/2002 Li D6/716.4
 D467,444 S 12/2002 Hess et al.
 D469,972 S 2/2003 Vanderminden, Sr.
 6,523,904 B1 2/2003 Vanderminden
 D482,541 S 11/2003 Pluer
 D482,542 S 11/2003 Pluer
 D482,886 S 12/2003 Varshney et al.
 D486,974 S * 2/2004 Tseng D6/376
 D491,379 S 6/2004 Vanderminden, Sr.
 D491,738 S 6/2004 Vanderminden
 D496,172 S 9/2004 Pluer
 D497,491 S 10/2004 Pluer
 D520,258 S 5/2006 Vanderminden
 D521,266 S 5/2006 Vanderminden
 D522,267 S 6/2006 Bell
 D523,652 S 6/2006 Bell
 D524,567 S * 7/2006 Vanderminden D6/376
 D526,501 S 8/2006 Tseng
 D526,795 S 8/2006 Tseng
 D526,801 S 8/2006 Chen
 D528,315 S 9/2006 Tseng
 D528,814 S 9/2006 Tseng
 D532,212 S 11/2006 Bell
 D540,060 S * 4/2007 Caldwell D6/376
 D569,646 S 5/2008 Camp, Jr. et al.
 D572,495 S 7/2008 Lowsky
 D573,805 S 7/2008 Pluer
 D598,668 S 8/2009 Pluer
 D610,842 S 3/2010 Ritter
 D613,518 S 4/2010 Bell
 D621,632 S 8/2010 Ritter
 D623,431 S 9/2010 Bell
 D675,464 S 2/2013 Pedersen et al.
 2003/0001416 A1 1/2003 Vanderminden
 2004/0084951 A1 5/2004 Pawlush

OTHER PUBLICATIONS

Vanderminden, design U.S. Appl. No. 29/456,721, entitled Chaise Lounge, filed Jun. 3, 2013, 8-pages.

Alfresco Milan Chair, available from Alfresco Home, Pottstown, Pennsylvania, 3-pages, 2010.
 Rimini Chair, available from Alfresco Home, Pottstown, Pennsylvania, 2-pages, 2010.
 Telescope Casual Milan Chair, manufactured by Telescope Casual Furniture, Inc., Granville, New York, available from Costco Wholesale Corporation, Issaquah, Washington, 1 page, 2005.
 Ocala Sling Chair, available from Telescopic Casual Furniture, Granville, New York, 4-pages, Jun. 29, 2012.
 Telescope Casual 2010 Catalog, Telescope Casual Furniture, Inc., Granville, New York, 99 pages, Jul. 1, 2009.
 Telescope Casual 2012 Catalog, Telescope Casual Furniture, Inc., Granville, New York, 104 pages, Jul. 1, 2011.
 Telescope Casual 2013 Catalog, Telescope Casual Furniture, Inc., Granville, New York, 92 pages, Jul. 1, 2012.
 Vanderminden, Sr., design U.S. Appl. No. 29/464,029, entitled "Seat Frame", filed Aug. 12, 2013, 10-pages.
 Montreux Sling Chair, manufactured by Tropitone Furniture Company, Inc., Irvine California, 4-page, May 2004.
 Montreux Padded Sling Chair Collecton, manufactured by Tropitone Furniture Company, Inc., Irvine California, 6-pages, May 2004.
 Villa Sling and Wicker, available from Telescope Casual Furniture, Granville, Inc., New York, 2-pages, Jul. 1, 2011.
 Devereaux Sling Cast Chairs, available from Suncoast Aluminum Furniture, Inc., Ft. Myers, Florida, 2-pages, Jul. 2008.
 Devereaux Cushion Cast Chairs, available from Suncoast Aluminum Furniture, Inc., Ft. Myers, Florida, 2-pages, Jul. 2010.
 Ventura Collection, available from Gloster Furniture, South Boston, Virginia, 8-pages, 2011.
 Madero Sling and Madero Cushion, available from Winston Furniture Company, Haleyville, Alabama, 7-pages, 2011.
 Nantucket Collection, available from Seaside Casual, Coventry, Rhode Island, 5-pages, 2011.
 Cortland Sling, available from Woodard Furniture, Coppell, Texas, 6-pages, Jan. 2010.
 Cadiz Collection, available from Telescope Casual Furniture, Granville, Inc., New York, 3-pages, 2003.
 Windward Sling, available from Telescope Casual Furniture, Granville, Inc., New York, 4-pages, 2009.
 Hampton Marine Grade Polymer Outdoor Furniture, available from Windward Design Group, Sarasota, Florida, 6-pages, Sep. 28, 2012.
 Serendipity Collection, Homecrest Industries Incorporated, 1-page, 1990.
 Rosetta Sling, available from Suncoast Aluminum Furniture, Inc., Ft. Myers, Florida, 2-pages, at least as early as 2004.
 Concord Collection, available from Telescope Casual Furniture, Granville, Inc., New York, 5-pages, 1996.
 Kingston Collection, available from Telescope Casual Furniture, Granville, Inc., New York, 6-pages, 1997.
 Kingston Collection Additions, available from Telescope Casual Furniture, Granville, Inc., New York, 5-pages, 1999.
 Lisbon Sling Collection, available from Telescope Casual Furniture, Granville, Inc., New York, 6-pages, 2000.
 Windham Sling Collection, available from Telescope Casual Furniture, Granville, Inc., New York, 6-pages, 1993.
 Holly Hill Aluminum, available from Homecrest Industries Incorporated, 1-pages, 1990.
 Holly Hill Sling, available from Homecrest Industries Incorporated, 3-pages, 1998.

* cited by examiner

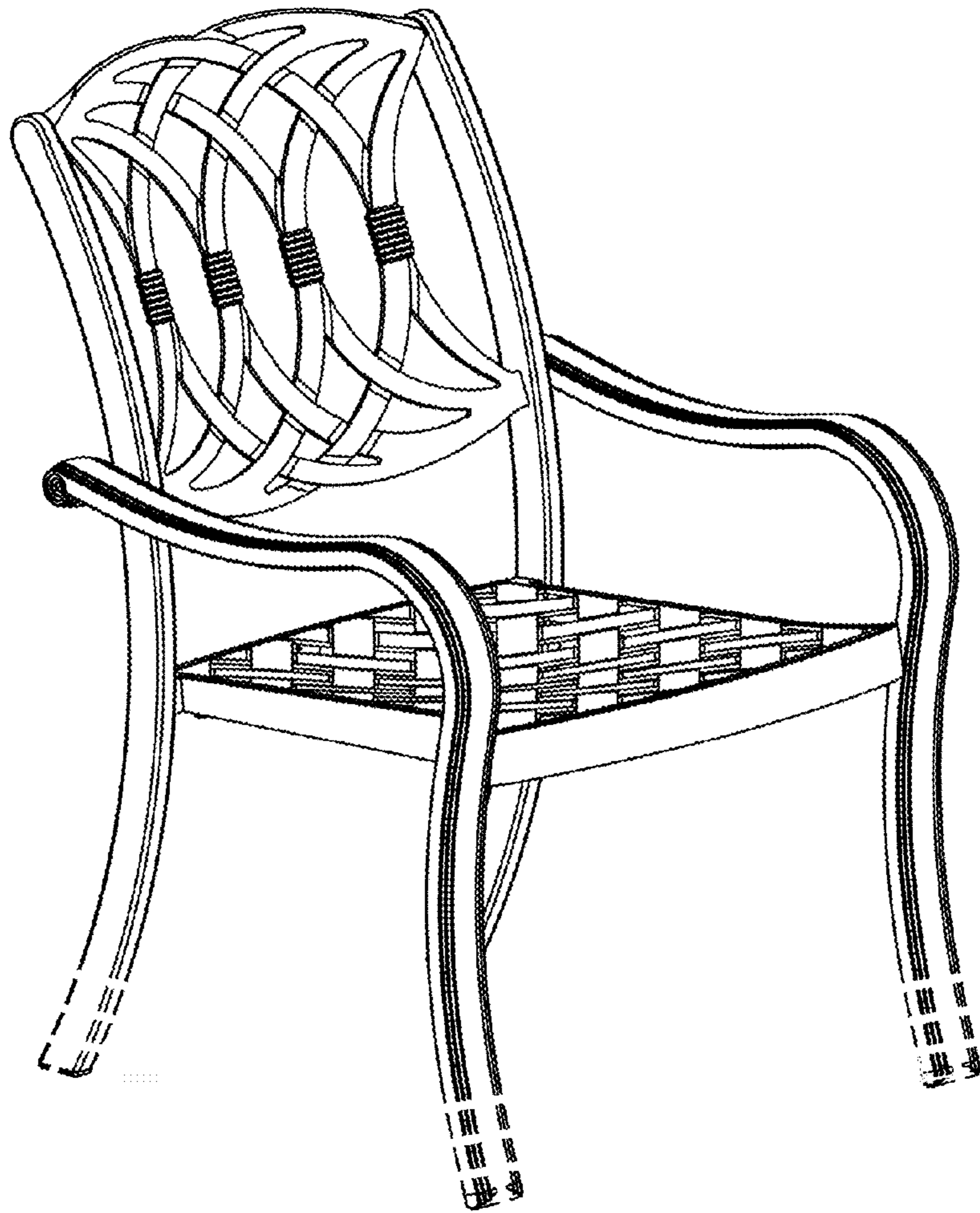


Fig. 1

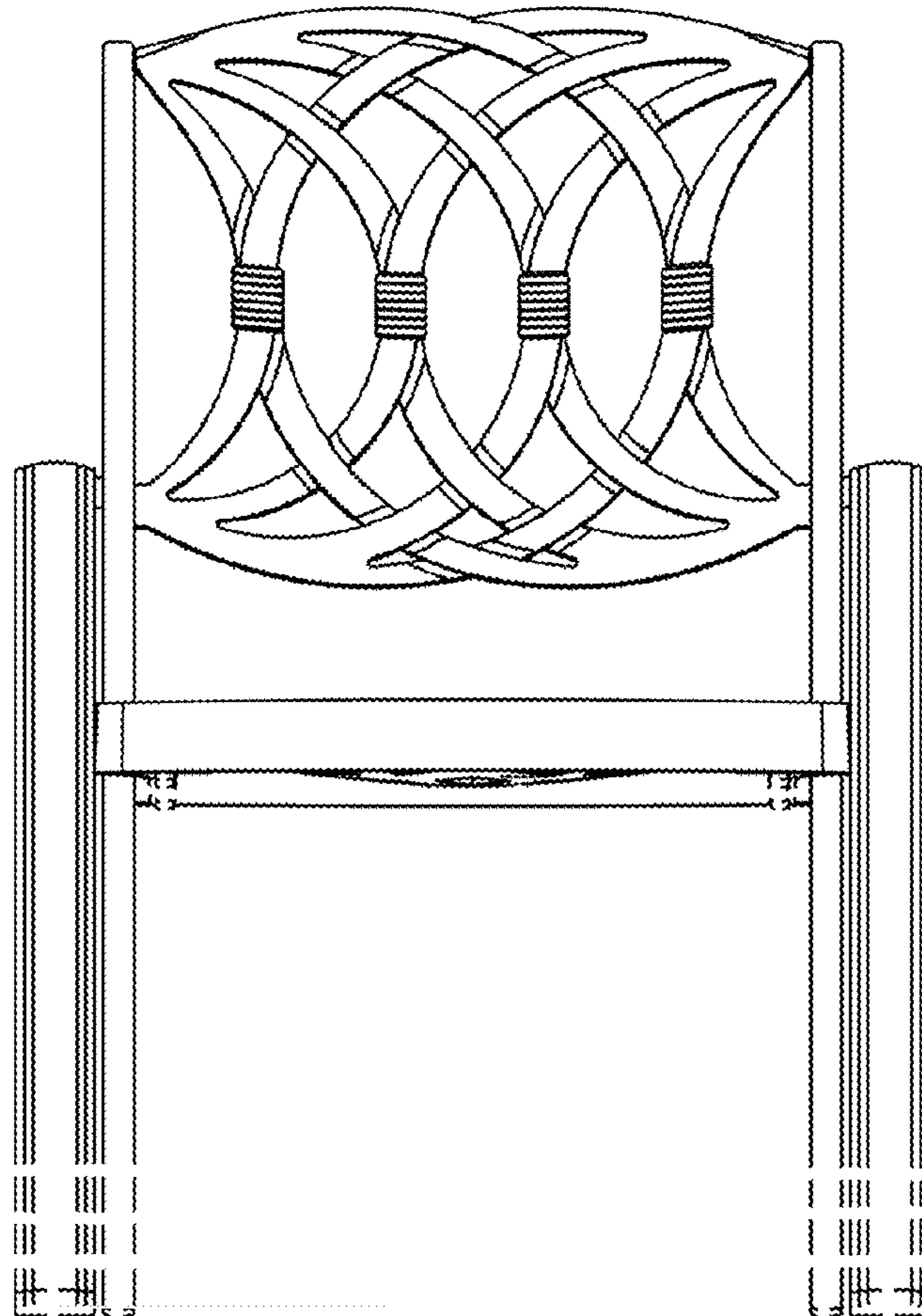


Fig. 2

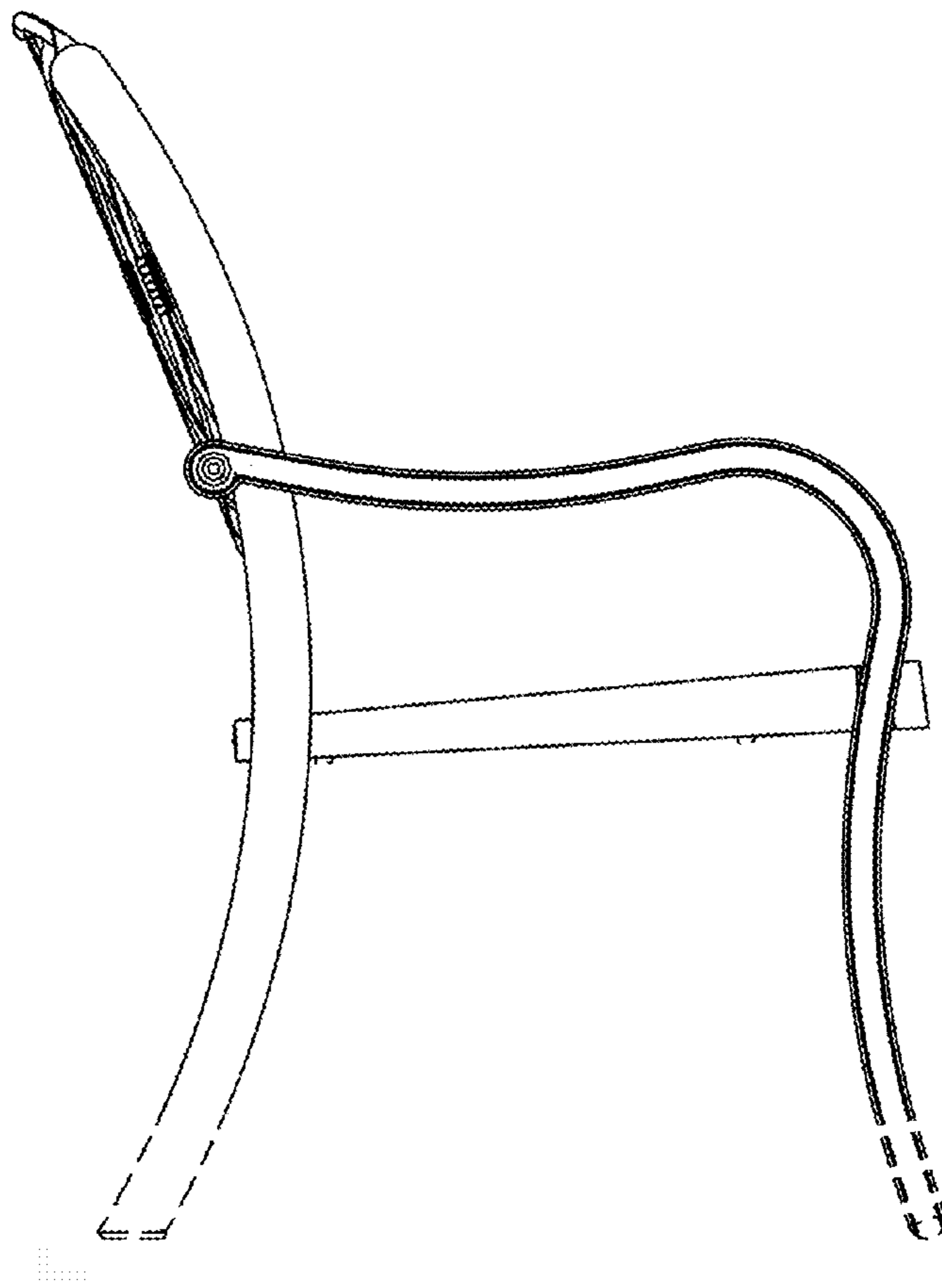


Fig. 3

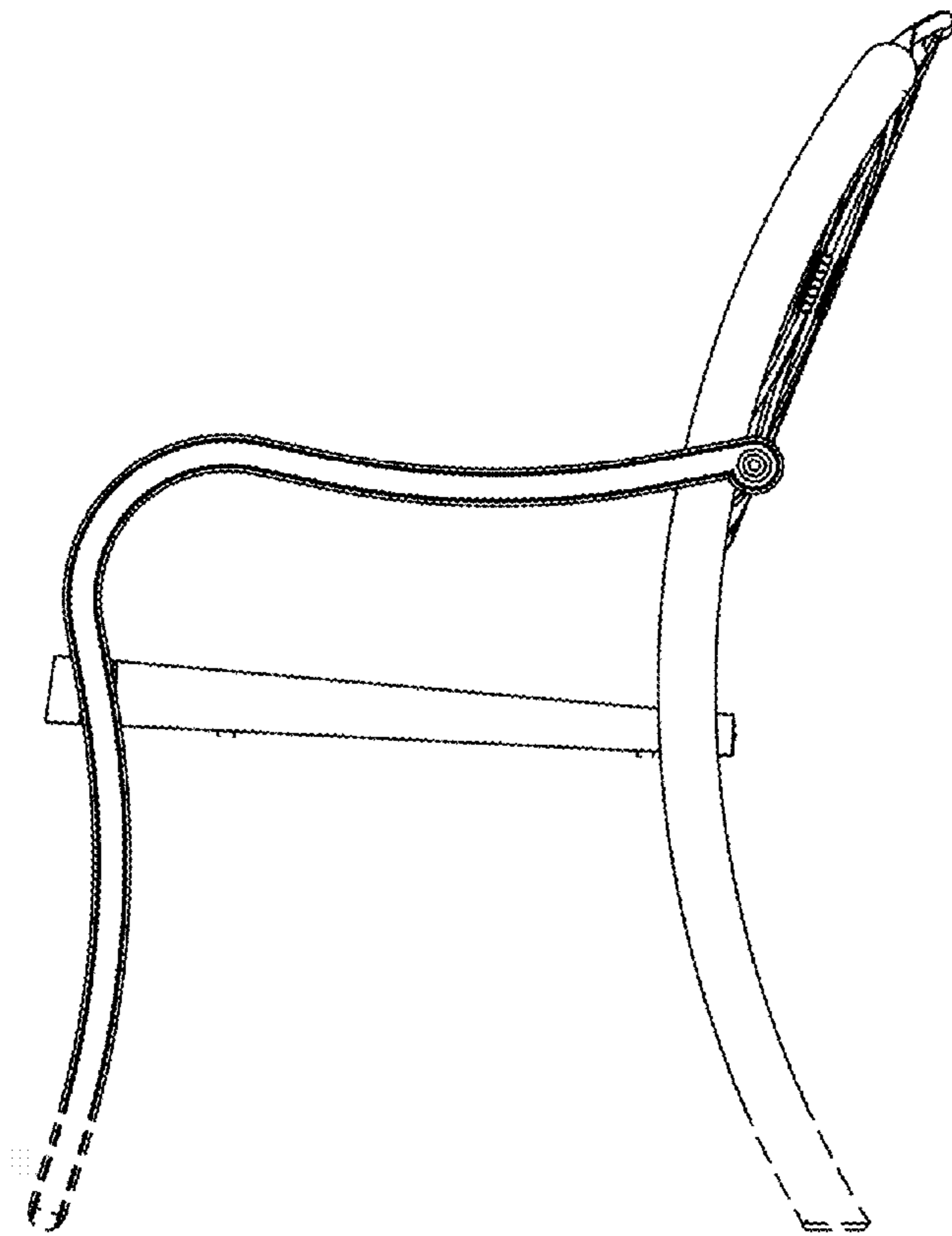


Fig. 4

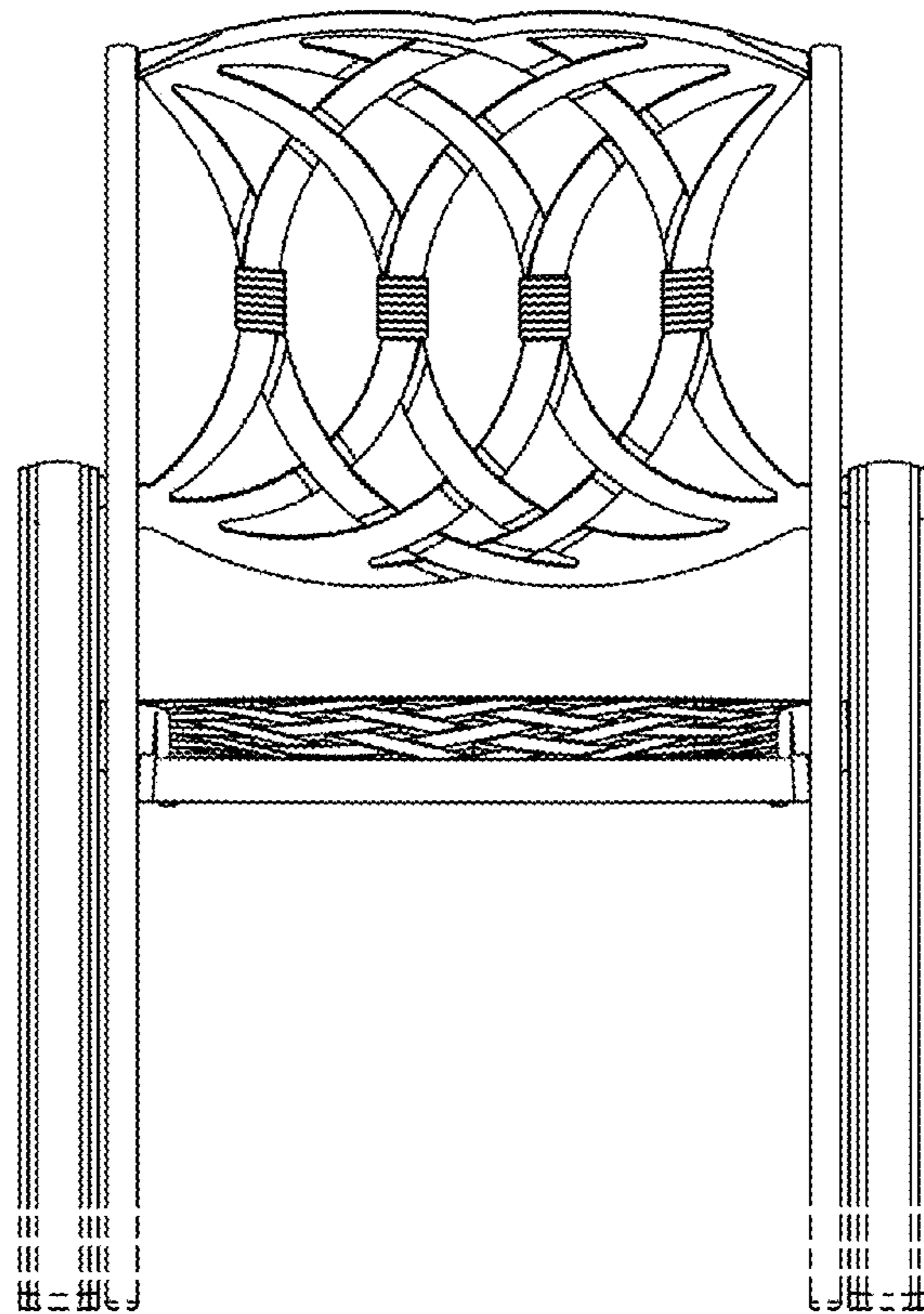


Fig. 5

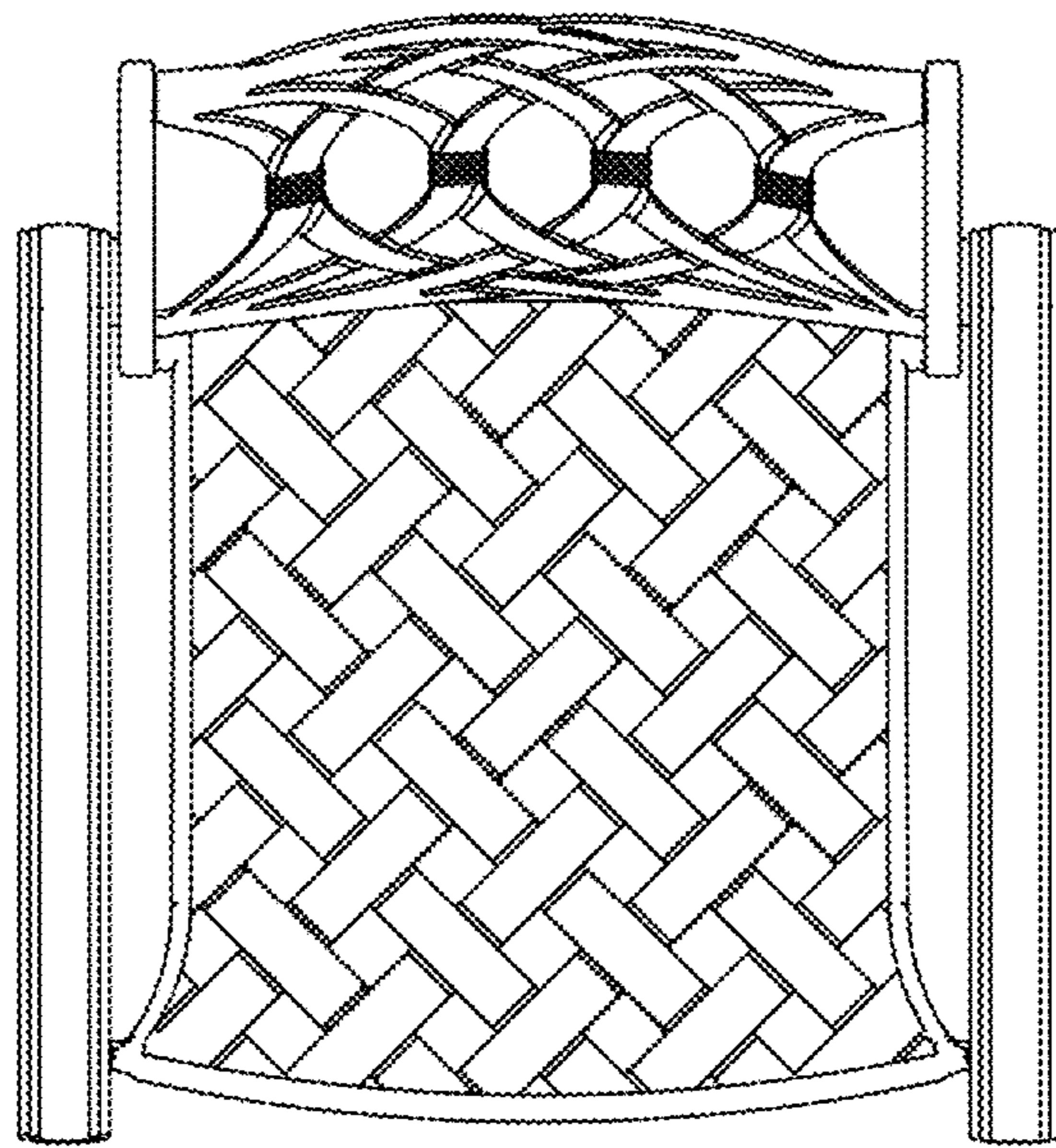


Fig. 6